

[54] **SPRINKLER BASE**
 [76] Inventor: **John M. Elek**, 5111 Corning Ave.,
 Los Angeles, Calif. 90056
 [**] Term: **14 Years**
 [21] Appl. No.: **606,289**
 [22] Filed: **Aug. 20, 1975**
 [51] Int. Cl. **D23-01**
 [52] U.S. Cl. **D23/7**
 [58] Field of Search **D23/6-10;**
 239/256-258, 261, 273

D. 189,334 11/1960 Ernest D23/7
 D. 195,078 4/1963 Beinert D23/7

Primary Examiner—James R. Largen
Attorney, Agent, or Firm—W. W. Glenny

[57] **CLAIM**

The ornamental design for a sprinkler base, substantially as shown and described.

DESCRIPTION

FIG. 1 is a top plan view of a sprinkler base showing my new design;
 FIG. 2 is a side elevational view thereof, the opposite side being a mirror image of the side shown;
 FIG. 3 is a front end view thereof;
 FIG. 4 is a rear end view thereof, and
 FIG. 5 is a bottom view thereof.

[56] **References Cited**
U.S. PATENT DOCUMENTS
 D. 22,190 1/1893 Baker et al. D23/7
 D. 186,010 8/1959 O'Brien D23/7

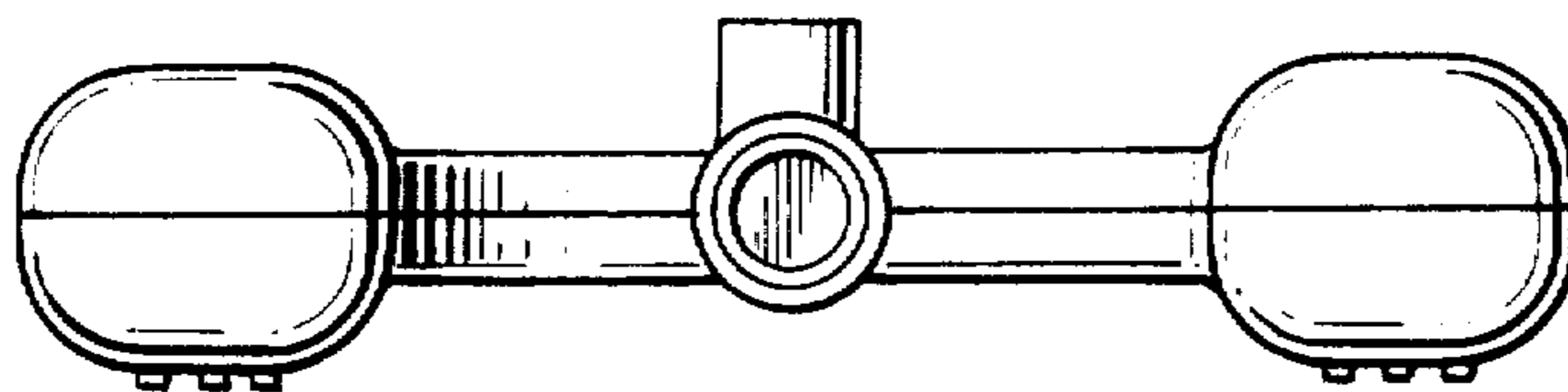
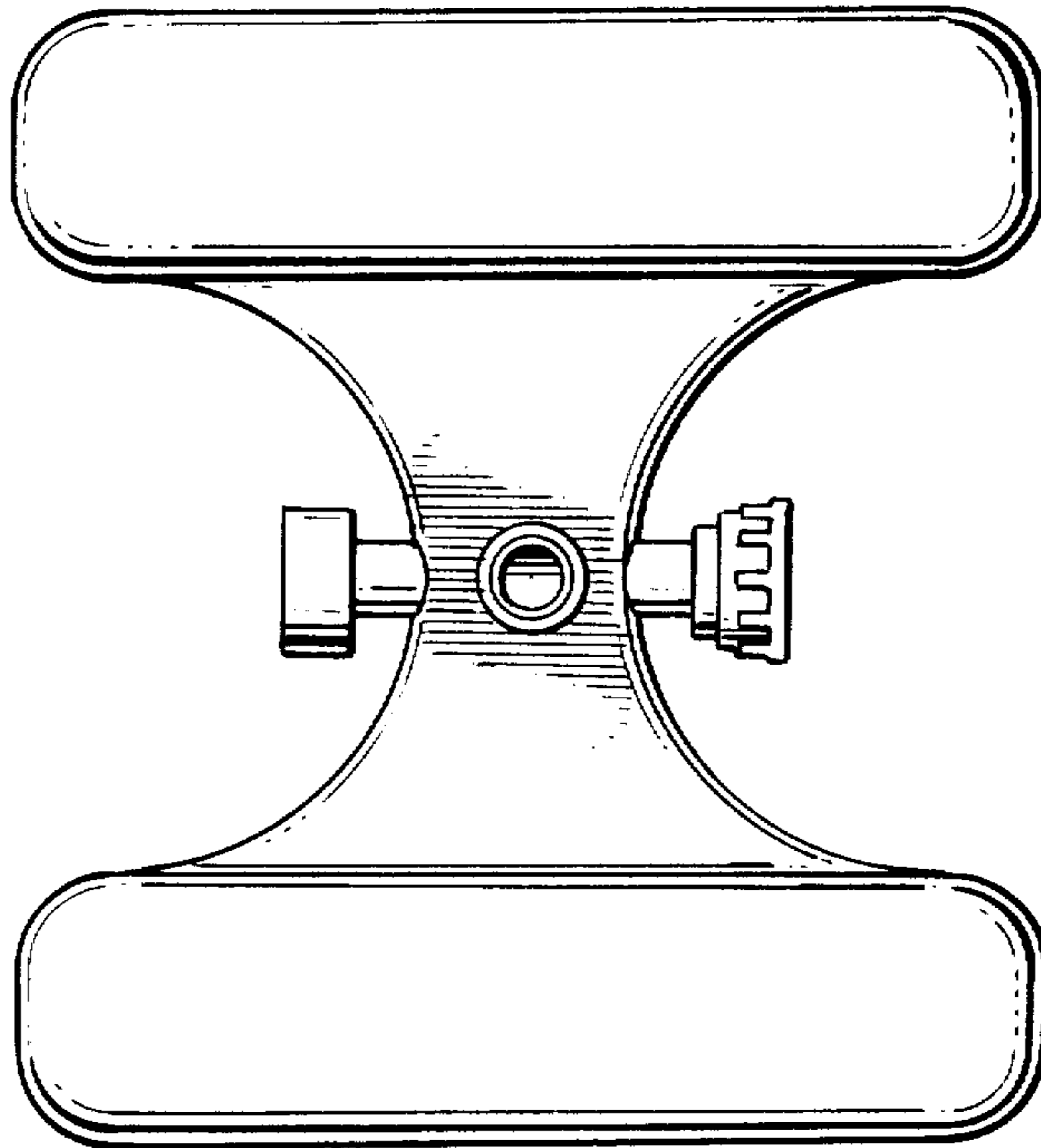


Fig. 1.

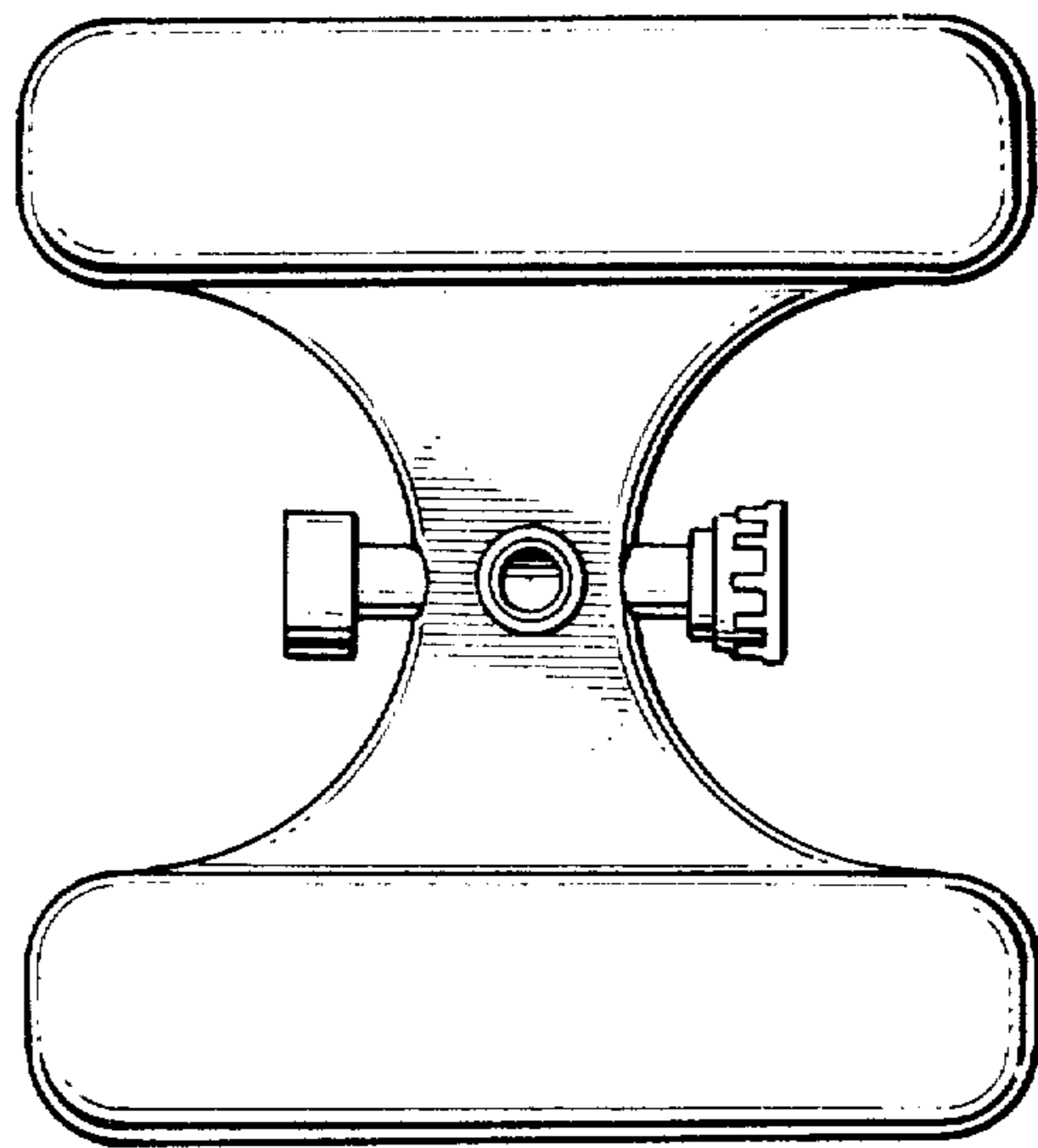


Fig. 2.

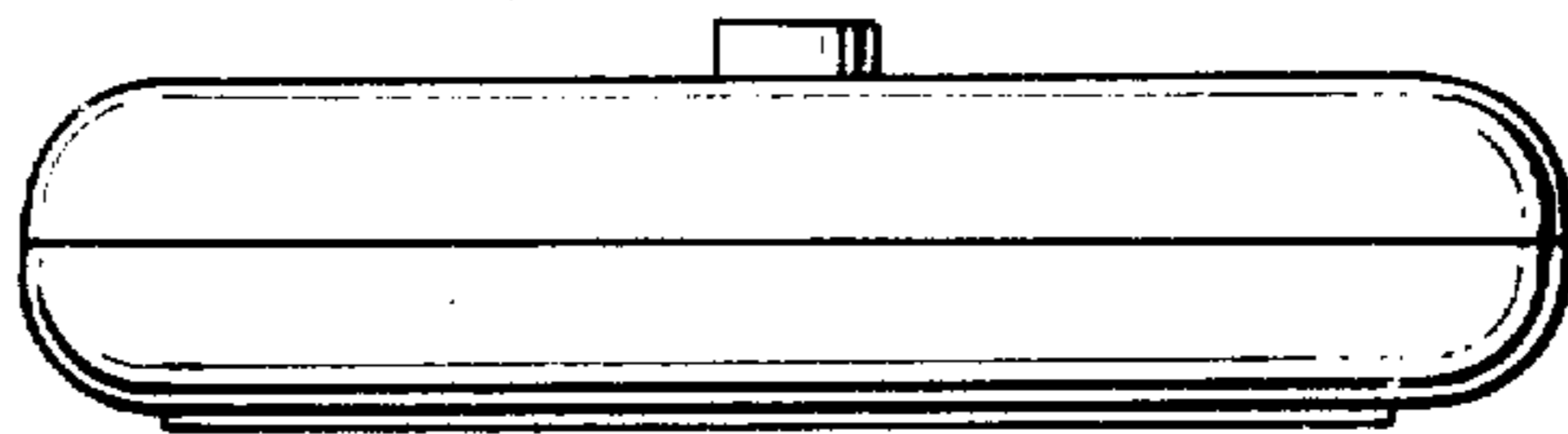


Fig. 3.

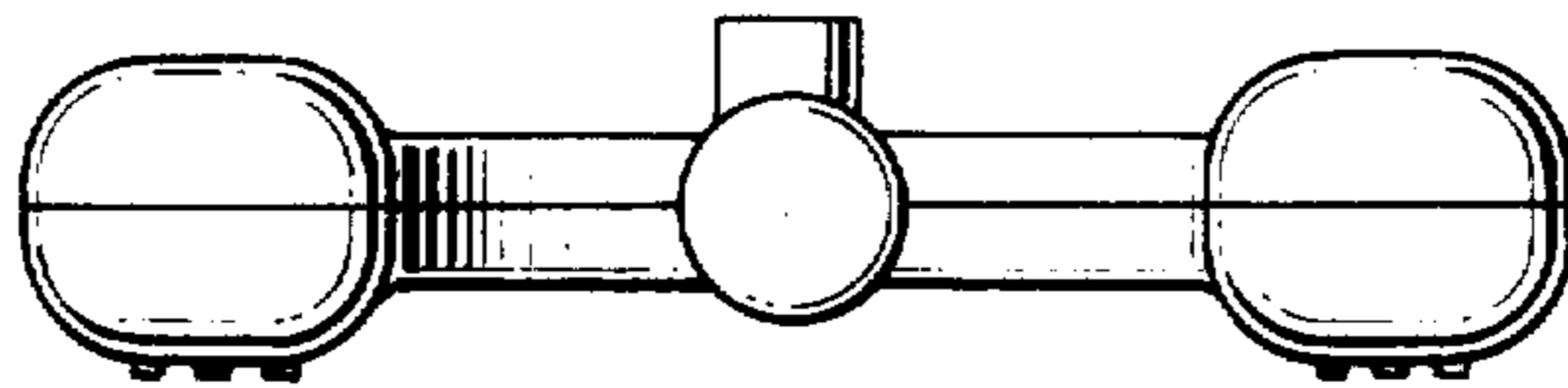


Fig. 4.

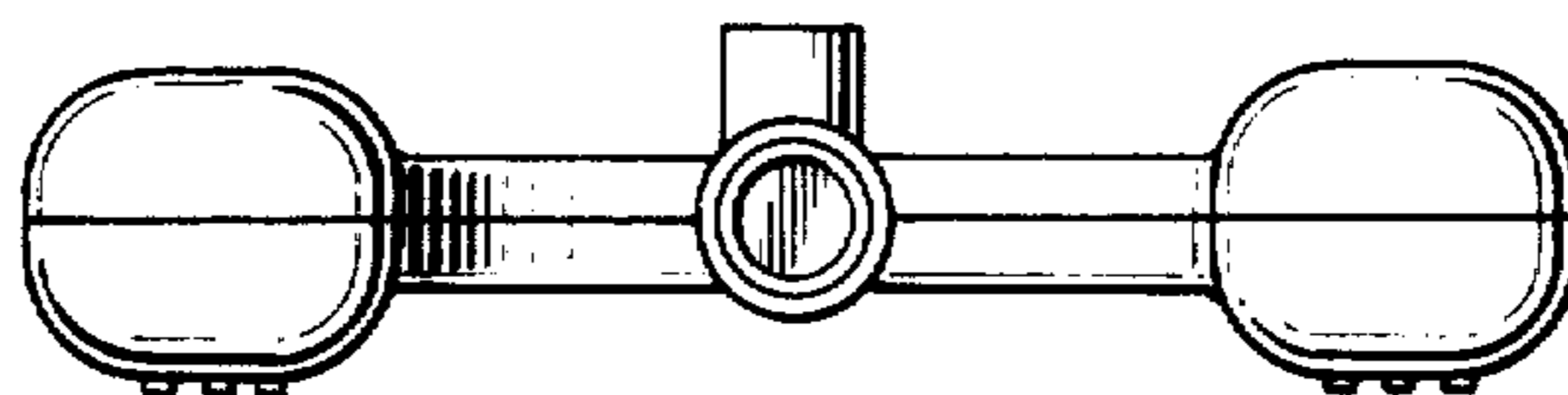


Fig. 5.

