

[54] AUTOMOTIVE VEHICLE

[76] Inventor: **Guillermo Viniegra**, Ezequiel Chavez No. 52, Col. Vista Bella, Edo. de Mexico, Mexico

[**] Term: **14 Years**

[21] Appl. No.: **626,433**

[22] Filed: **Oct. 28, 1975**

[51] Int. Cl. **D12-08**

[52] U.S. Cl. **D12/91**

[58] Field of Search D12/90, 91, 92;
D34/15 AJ; 296/28 R, 1 R, 15, 31 P; 180/89 R, 89 A

[56] **References Cited**

OTHER PUBLICATIONS

Road & Track, Jan. 1970, p. 22, Minicar, Bottom Left Side of page.

Popular Mechanics, Oct. 1971, p. 112, British Leyland's Electric Car, Center Right Side of page.

Commercial Car Journal, May 1974, p. 116, Citi Car, Center Left Side of page.

Motor Trend, June 1973, p. 108, Mino Car, Bottom of page.

Primary Examiner—Susie J. Mercer

Assistant Examiner—James M. Gandy

Attorney, Agent, or Firm—Leonard J. Robbins

[57] **CLAIM**

The ornamental design for an automotive vehicle, as shown.

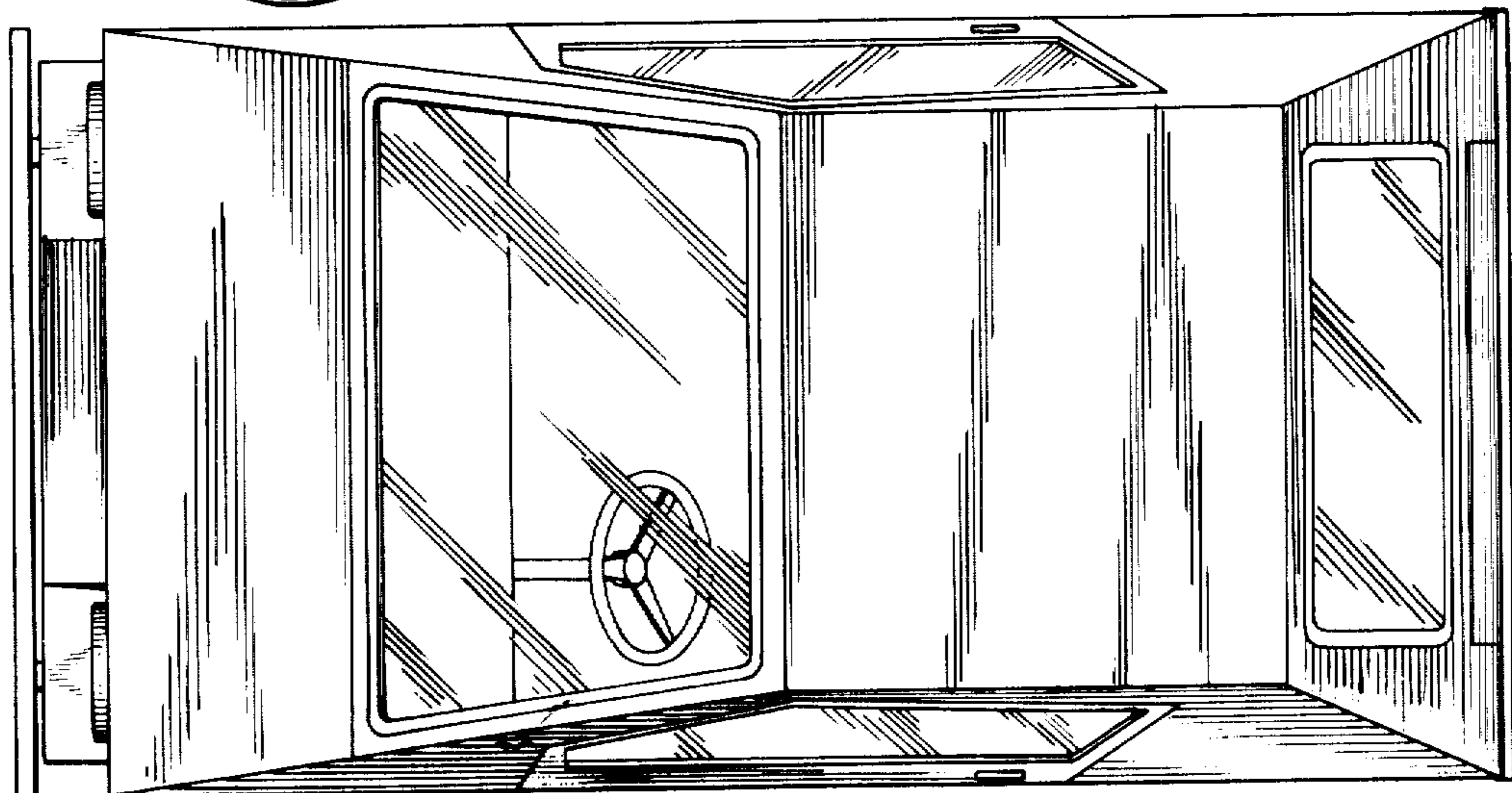
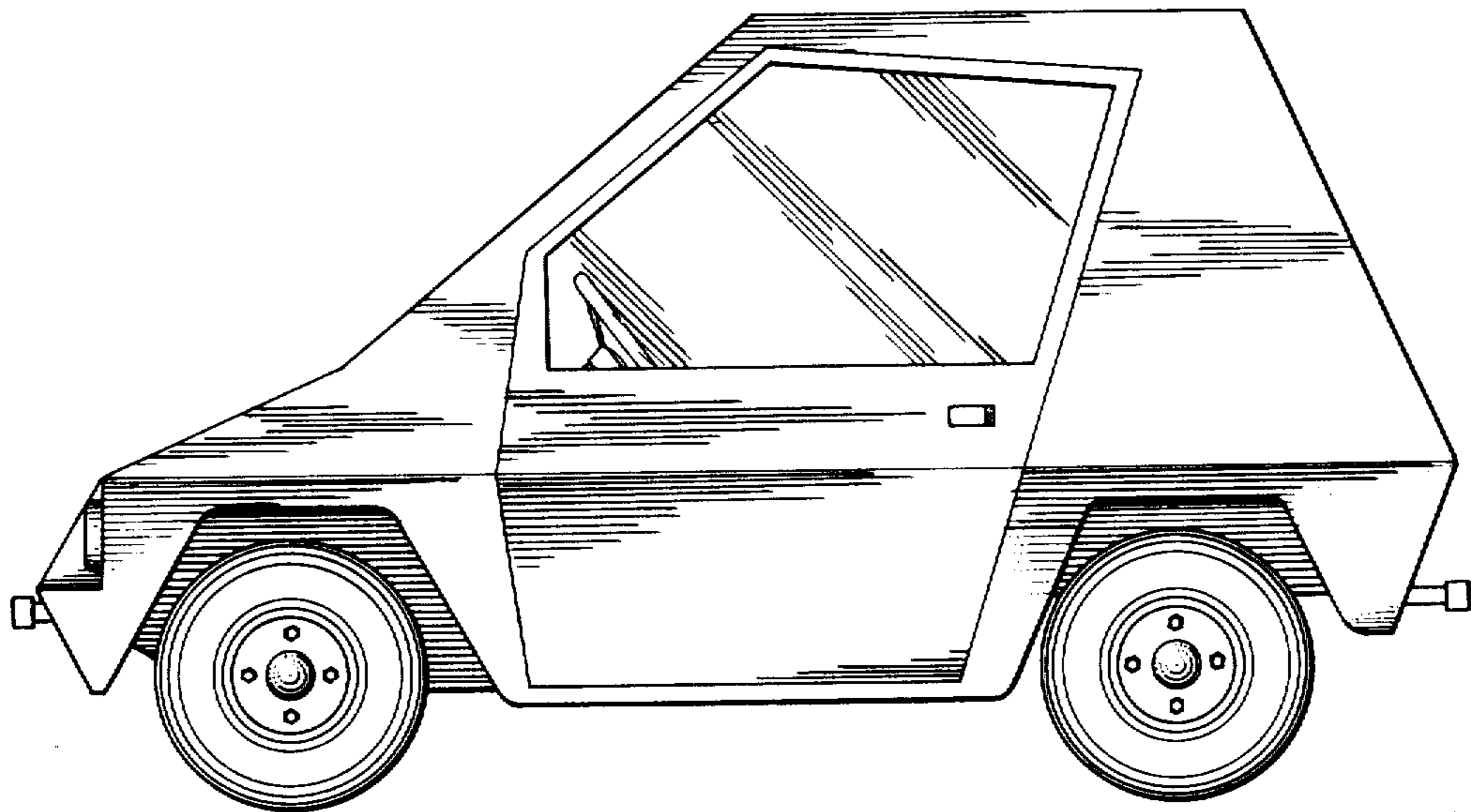
DESCRIPTION

FIG. 1, is a side elevational view of an automotive vehicle showing my new design, the opposite side being a mirror image thereof.

FIG. 2, is a top plan view thereof.

FIG. 3, is a front elevational view thereof.

FIG. 4, is a rear elevational view thereof.



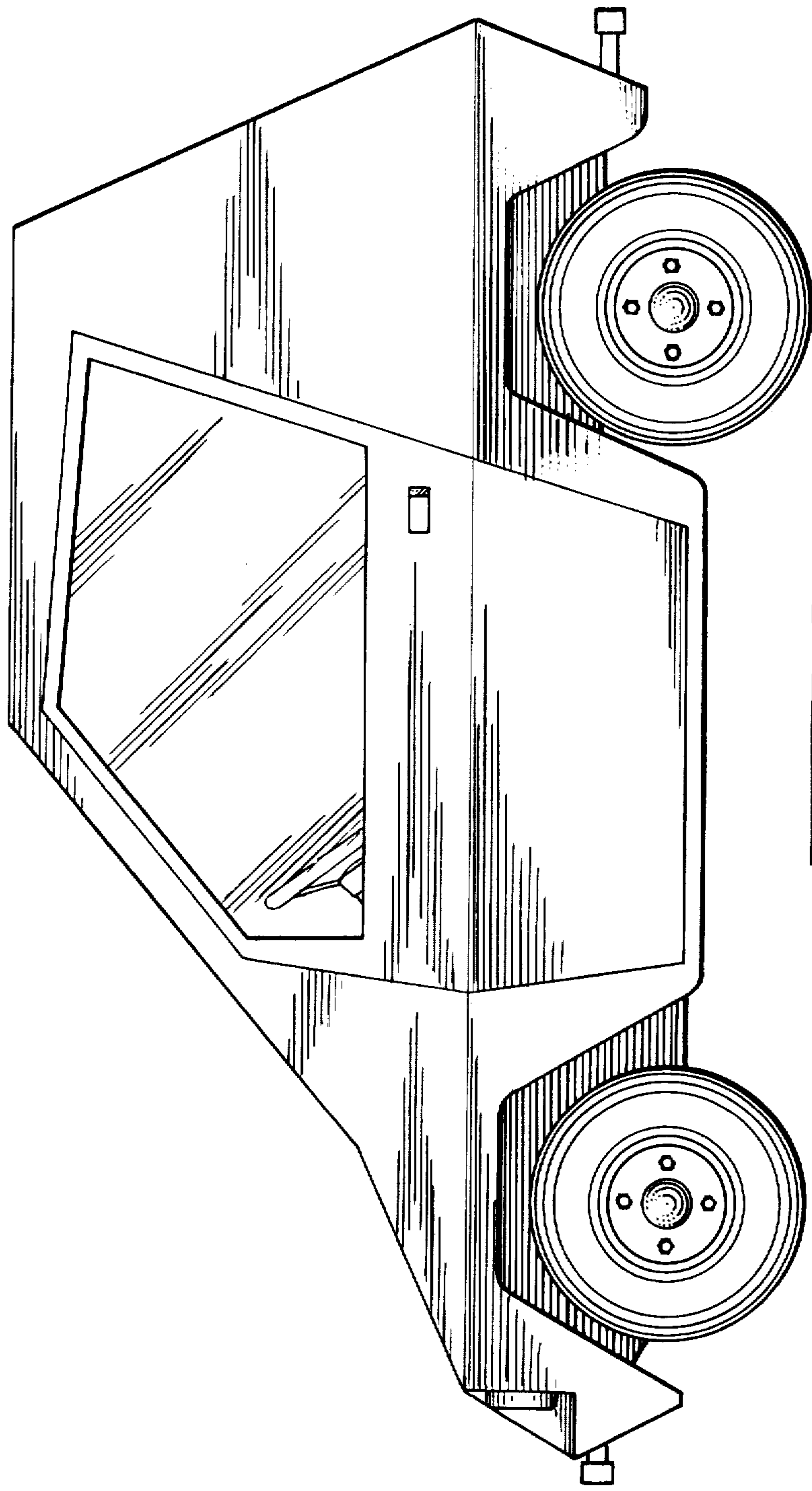


Fig. 1.

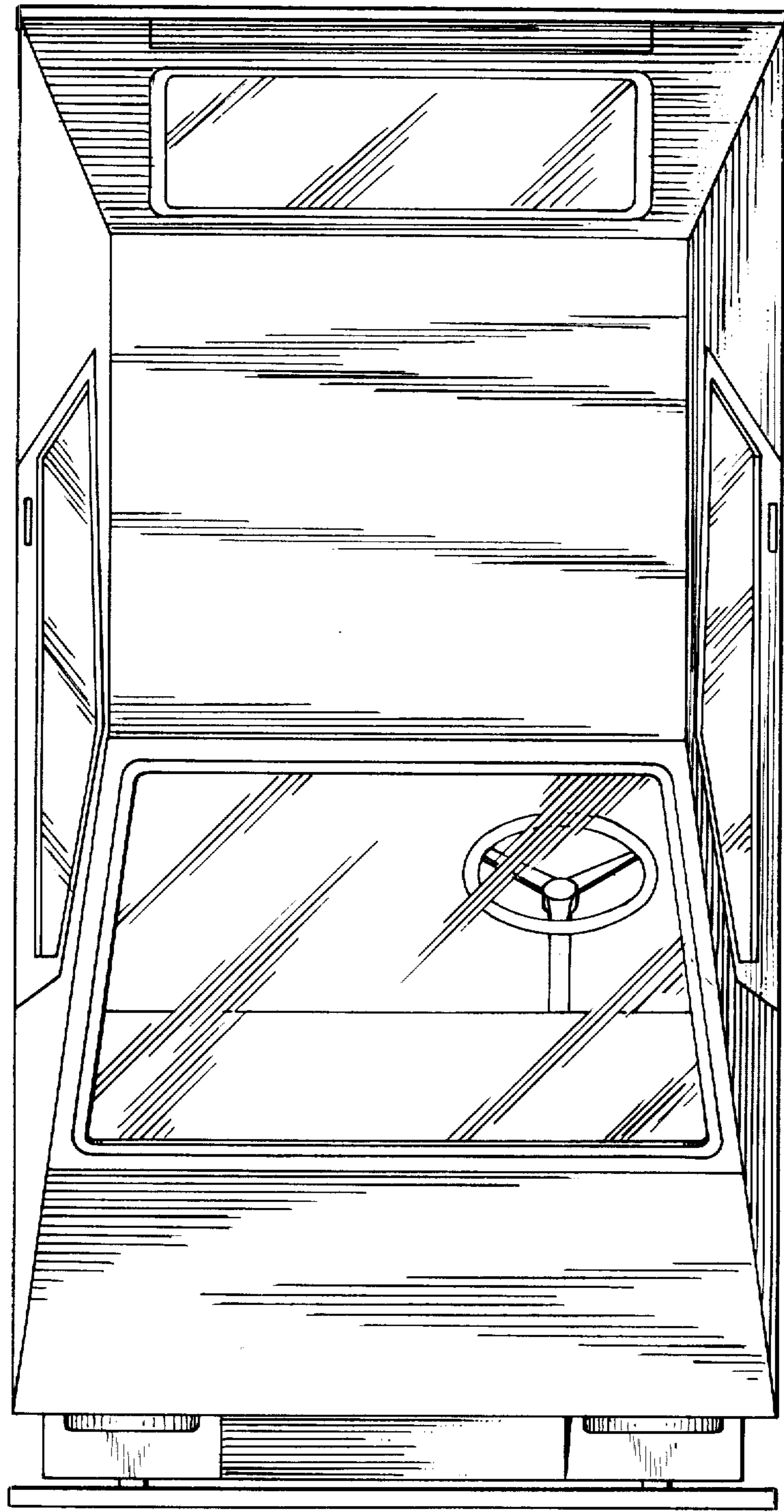


FIG. 2.

