

[54] MOTOR VEHICLE

[76] Inventor: Robert A. Keyes, 6897 Dove, Ventura, Calif. 93003

[\*\*] Term: 14 Years

[21] Appl. No.: 618,839

[22] Filed: Oct. 2, 1975

[51] Int. Cl. .... D12-08

[52] U.S. Cl. .... D12/85

[58] Field of Search ..... D12/85, 91; D34/15 AJ; 296/28 R, 1 R, 15, 31 P; 180/25 R, 26 R, 27, 89 R, 89 A; D40/5 R

[56] References Cited

U.S. PATENT DOCUMENTS

2,488,123	11/1949	Hartry .....	180/27
D. 139,635	12/1944	Walker .....	D40/5 R
D. 219,650	1/1971	Balch .....	D12/85

OTHER PUBLICATIONS

Popular Science, Mar. 1952, p. 163, Tricycle Car. Design News, Mar. 31, 1969, p. 11, Astro III Vehicle, Bottom of page.

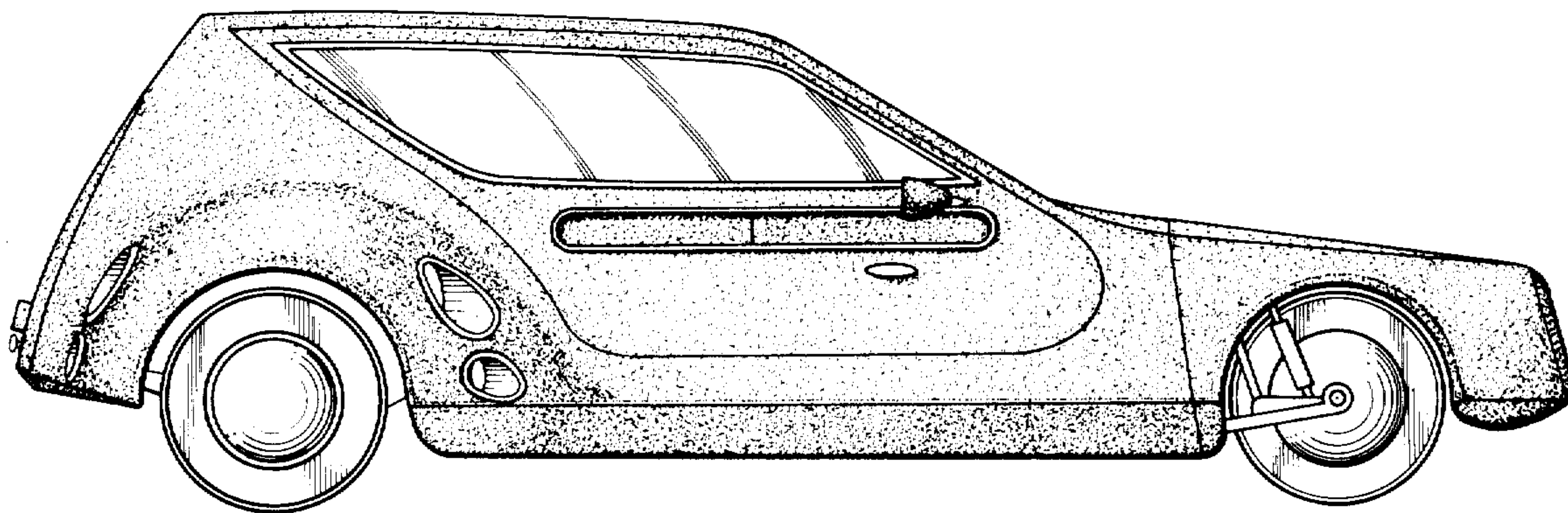
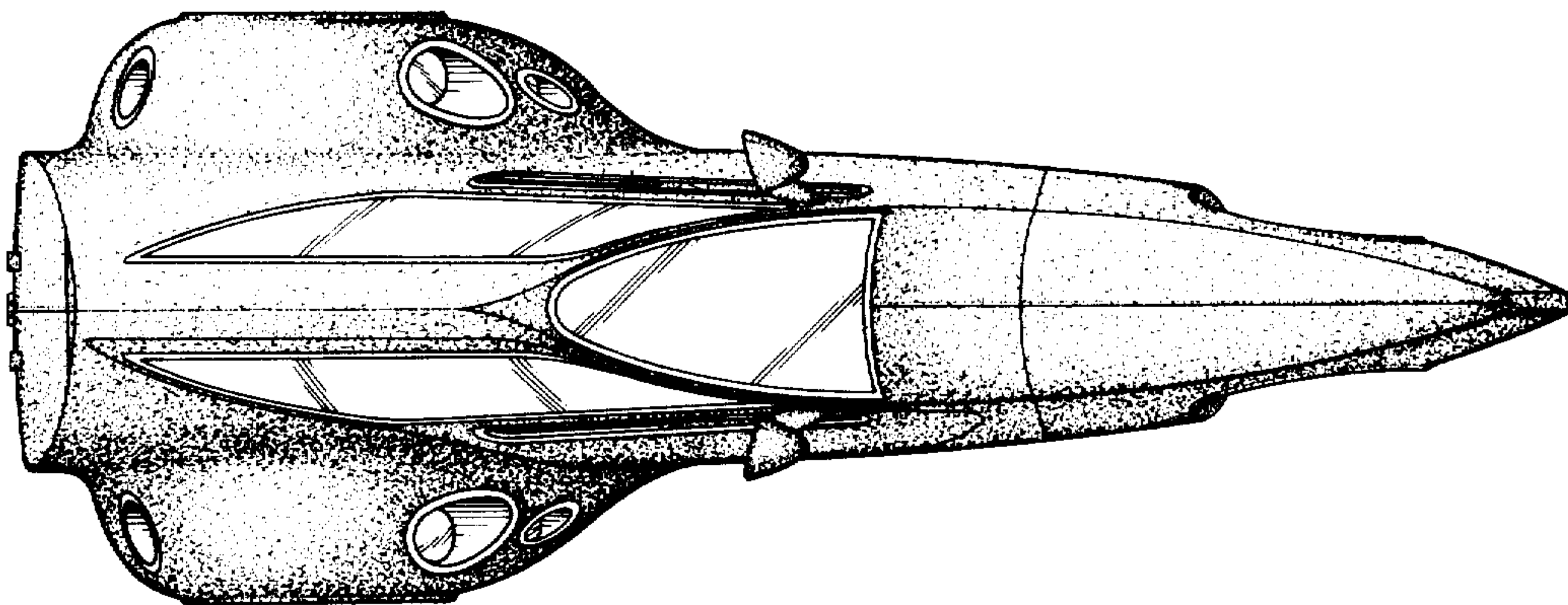
Primary Examiner—Wallace R. Burke  
Assistant Examiner—James M. Gandy  
Attorney, Agent, or Firm—John B. Young

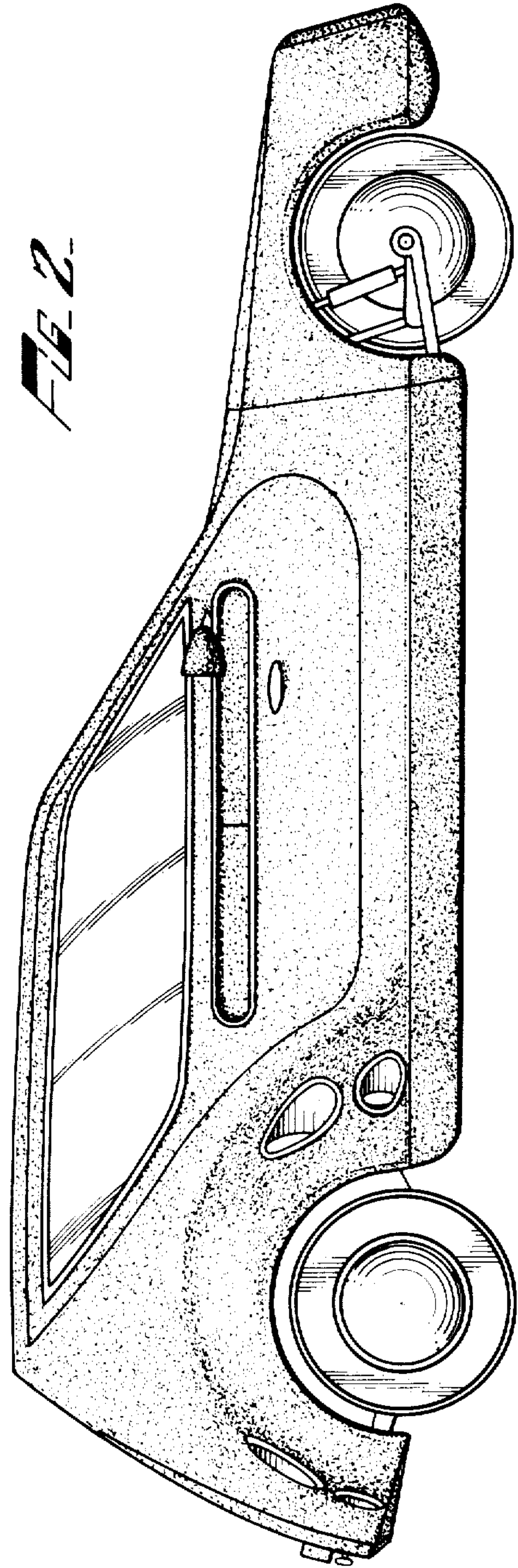
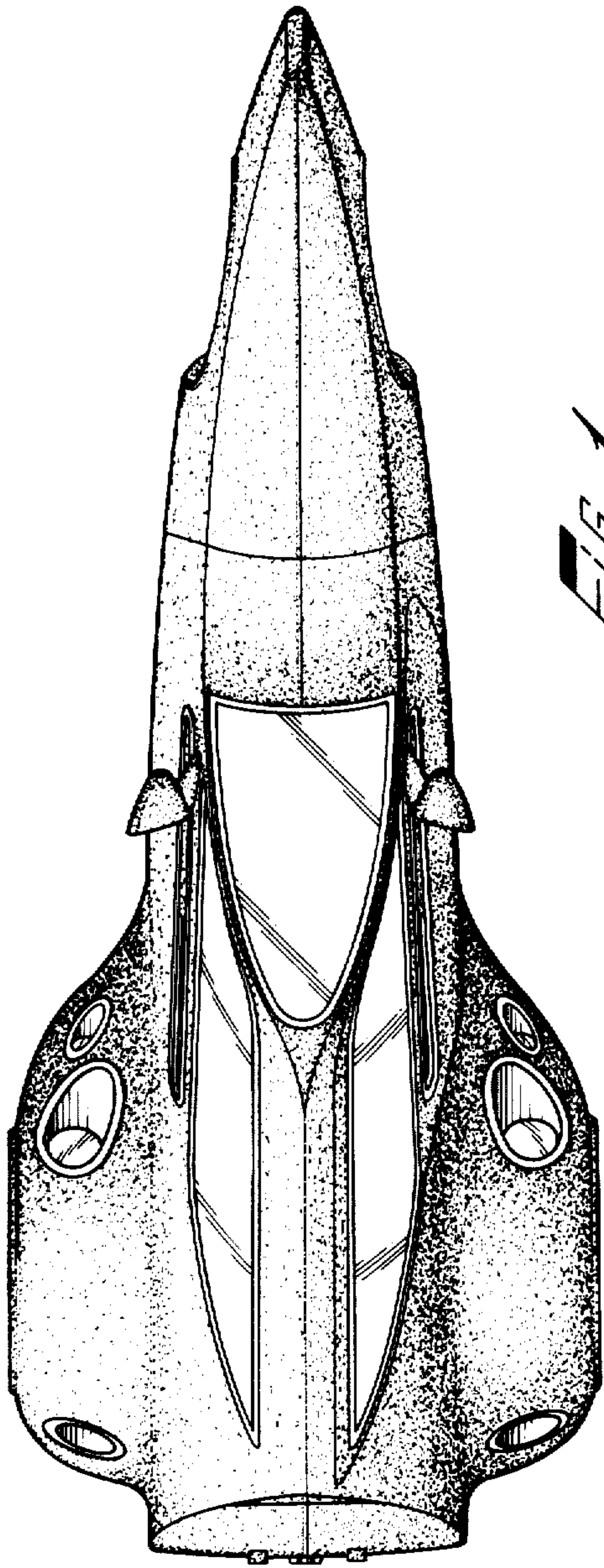
[57] CLAIM

The ornamental design for a motor vehicle, as shown.

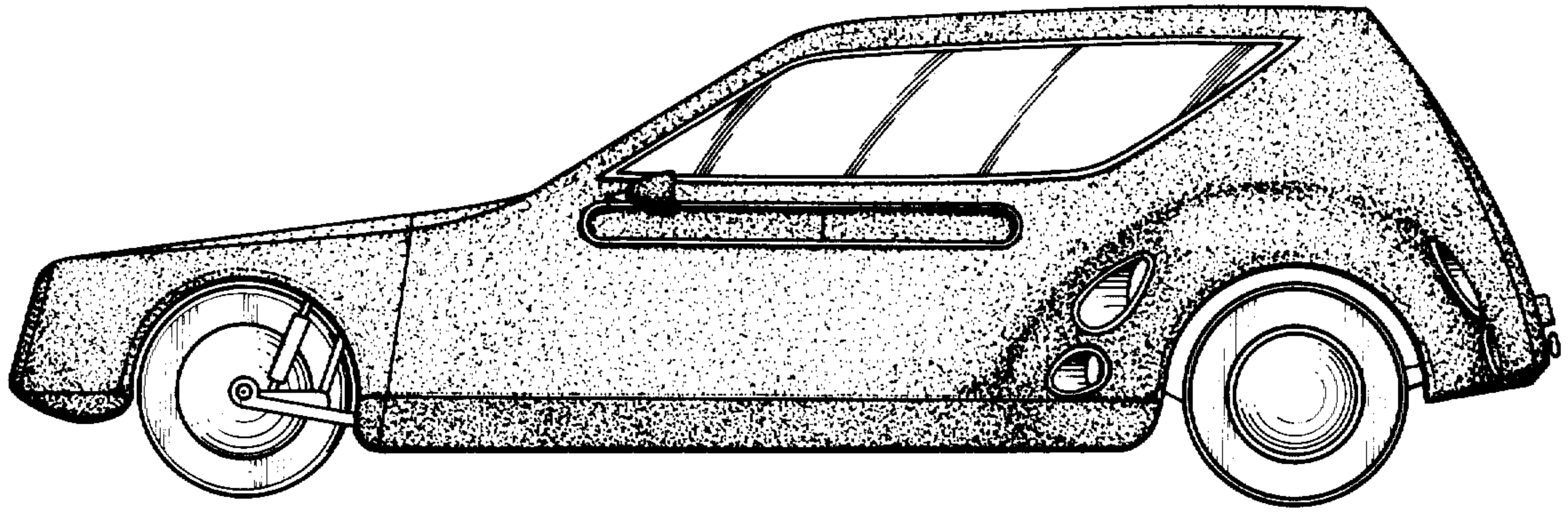
DESCRIPTION

FIG. 1 is a top plan view of a motor vehicle showing my new design;  
FIG. 2 is a side elevational view thereof;  
FIG. 3 is a side elevational view thereof opposite to that shown in FIG. 2;  
FIG. 4 is a front elevational view thereof; and  
FIG. 5 is a rear elevational view thereof.

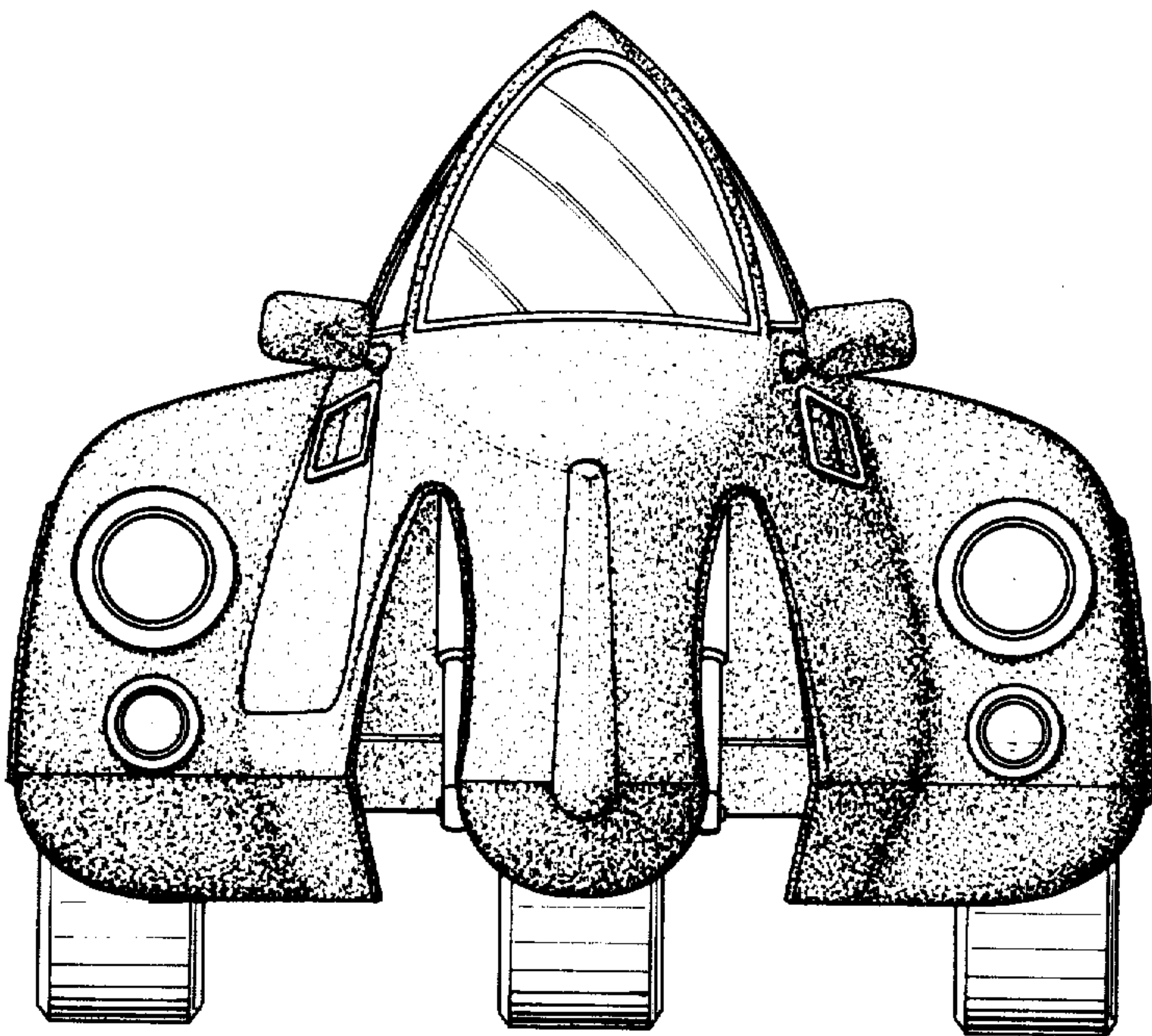








*FIG. 3.*



*FIG. 4.*

*FIG. 5.*

