

[54] **GRILL CLEANER**
 [76] Inventor: **Dewey O. Broberg, Jr.**, Rte. 1, Box 102, Long Grove, Ill. 60047
 [**] Term: **14 Years**
 [21] Appl. No.: **613,298**
 [22] Filed: **Sept. 15, 1975**
 [51] Int. Cl. **D7-05**
 [52] U.S. Cl. **D7/184**
 [58] Field of Search D7/161, 181-185; D8/16; D22/31; 15/105, 236 R; 30/169

D. 202,993 11/1965 Stokes D8/16
 D. 234,743 4/1975 Andersen D7/184

Primary Examiner—Wallace R. Burke
Assistant Examiner—Catherine Kemper
Attorney, Agent, or Firm—Raymond P. Niro

[56] **References Cited**

U.S. PATENT DOCUMENTS

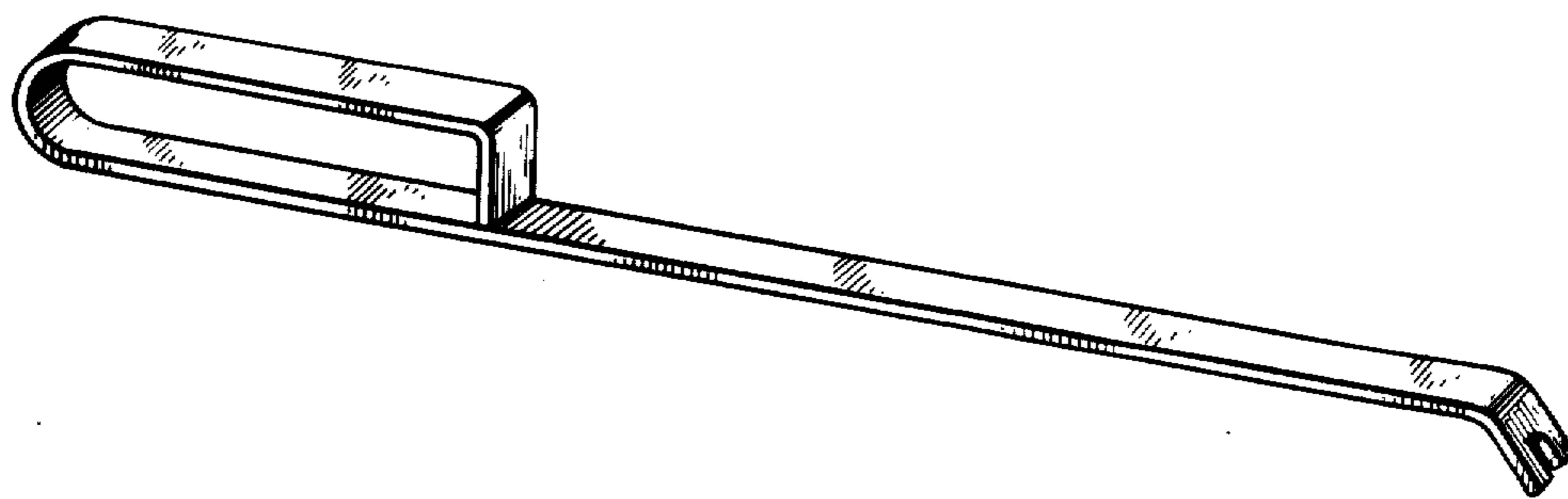
423,351 3/1890 Streeter 15/236 R
 3,800,354 4/1974 Stephens 15/236 R
 3,820,185 6/1974 Phillips 15/105

[57] **CLAIM**

The ornamental design for a grill cleaner, substantially as shown and described.

DESCRIPTION

FIG. 1 is a perspective view of a grill cleaner, showing my new design;
 FIG. 2 is a side elevation view thereof;
 FIG. 3 is a left side view thereof;
 FIG. 4 is a right side view thereof;
 FIG. 5 is a bottom view thereof.



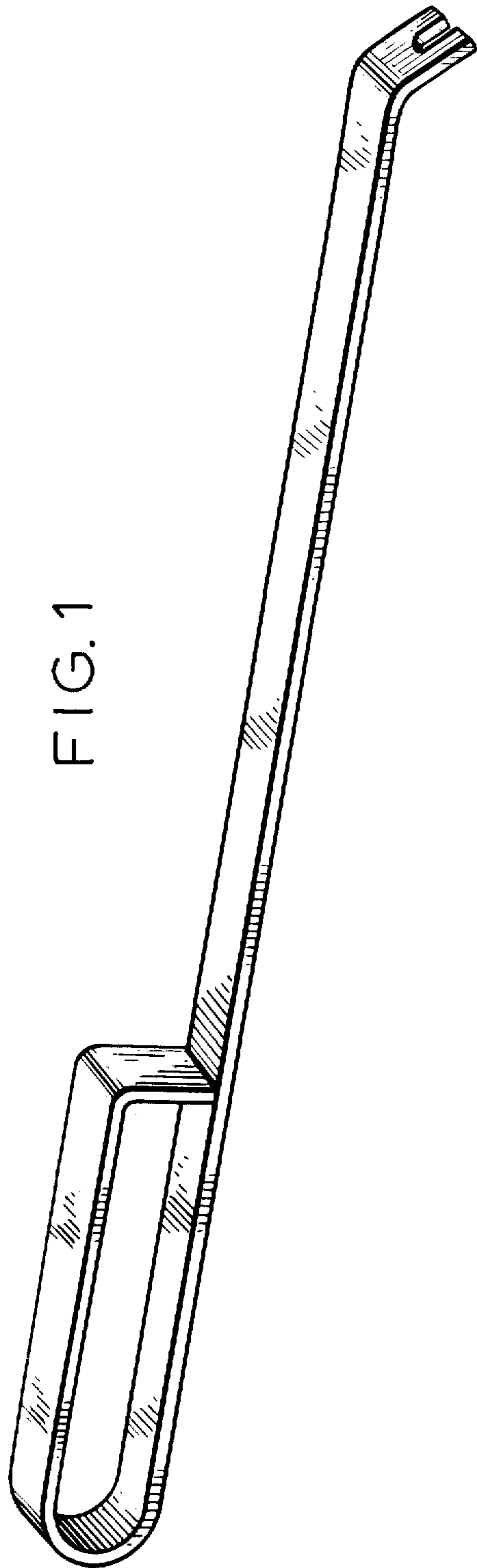


FIG. 1

FIG. 3

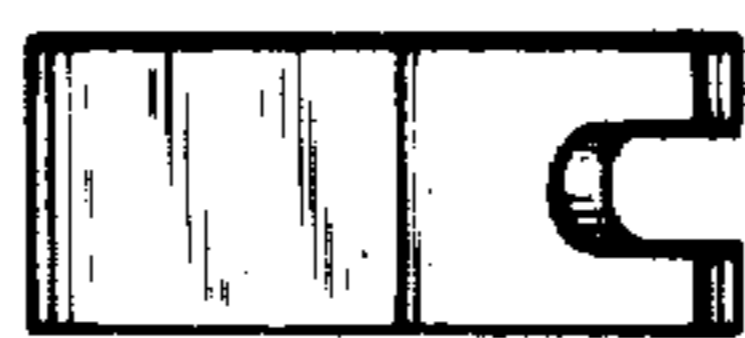


FIG. 2

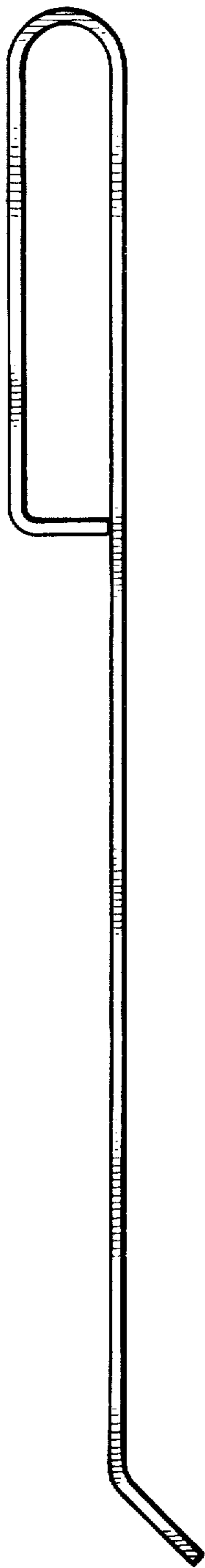


FIG. 4



FIG. 5

