

[54] **PORTABLE BEVERAGE CADDY**
 [76] Inventor: **Seymour S. Skidell**, 3400 Pine Tree Drive, Miami Beach, Fla. 33140
 [**] Term: **14 Years**
 [21] Appl. No.: **553,174**
 [22] Filed: **Feb. 26, 1975**
 [51] Int. Cl. **D7-99; D9-03**
 [52] U.S. Cl. **D7/71**
 [58] Field of Search **D7/75, 76-81, D7/71, 38; D9/179; D86/12; D87/1 R**

3,240,385 3/1966 Gits D9/179
 D. 114,889 5/1939 Campbell D9/179
 D. 157,446 2/1950 Smith et al. D7/52

Primary Examiner—Winifred E. Herrmann
Attorney, Agent, or Firm—Ernest H. Schmidt

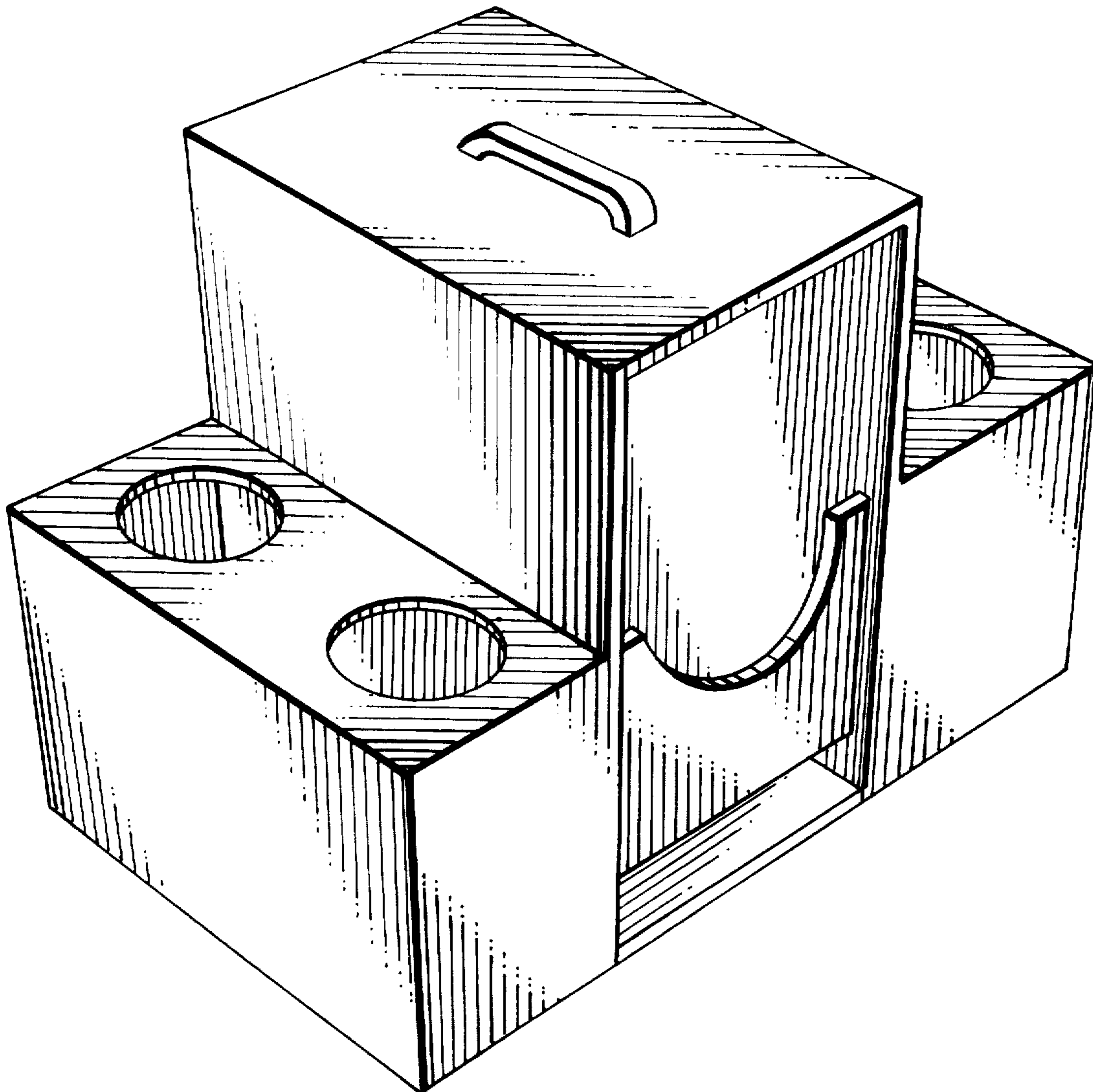
[57] **CLAIM**

The ornamental design for a portable beverage caddy, as shown and described.

DESCRIPTION

FIG. 1 is a perspective view of a portable beverage caddy, as seen from the front and showing my new design; and
 FIG. 2 is a perspective view thereof as seen from the rear.
 The bottom of the portable beverage caddy is flat and unornamented.

[56] **References Cited**
U.S. PATENT DOCUMENTS
 1,268,124 6/1918 Jennings D87/1 R X
 3,215,308 11/1965 Finley et al. D9/179 X



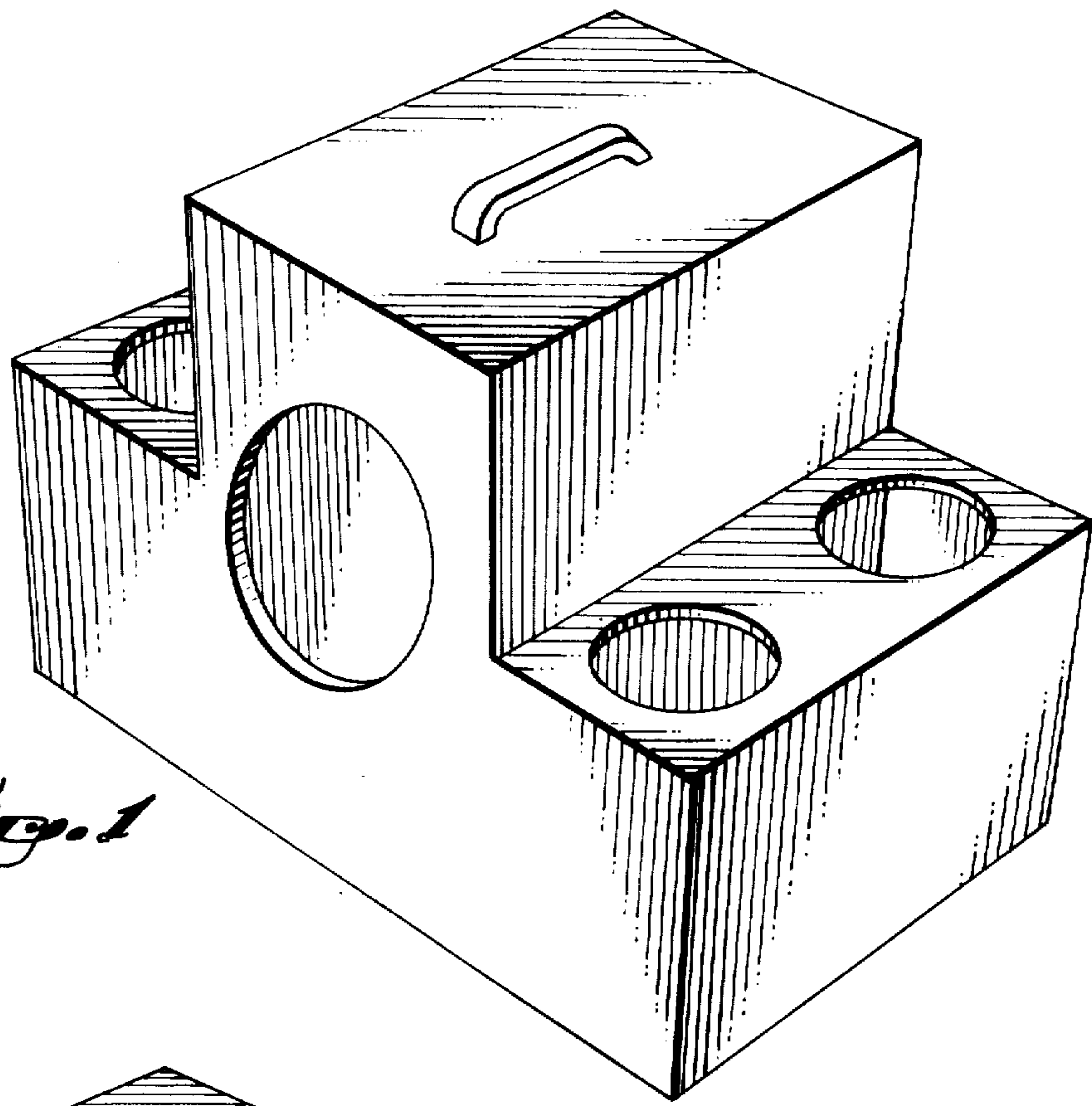


Fig. 1

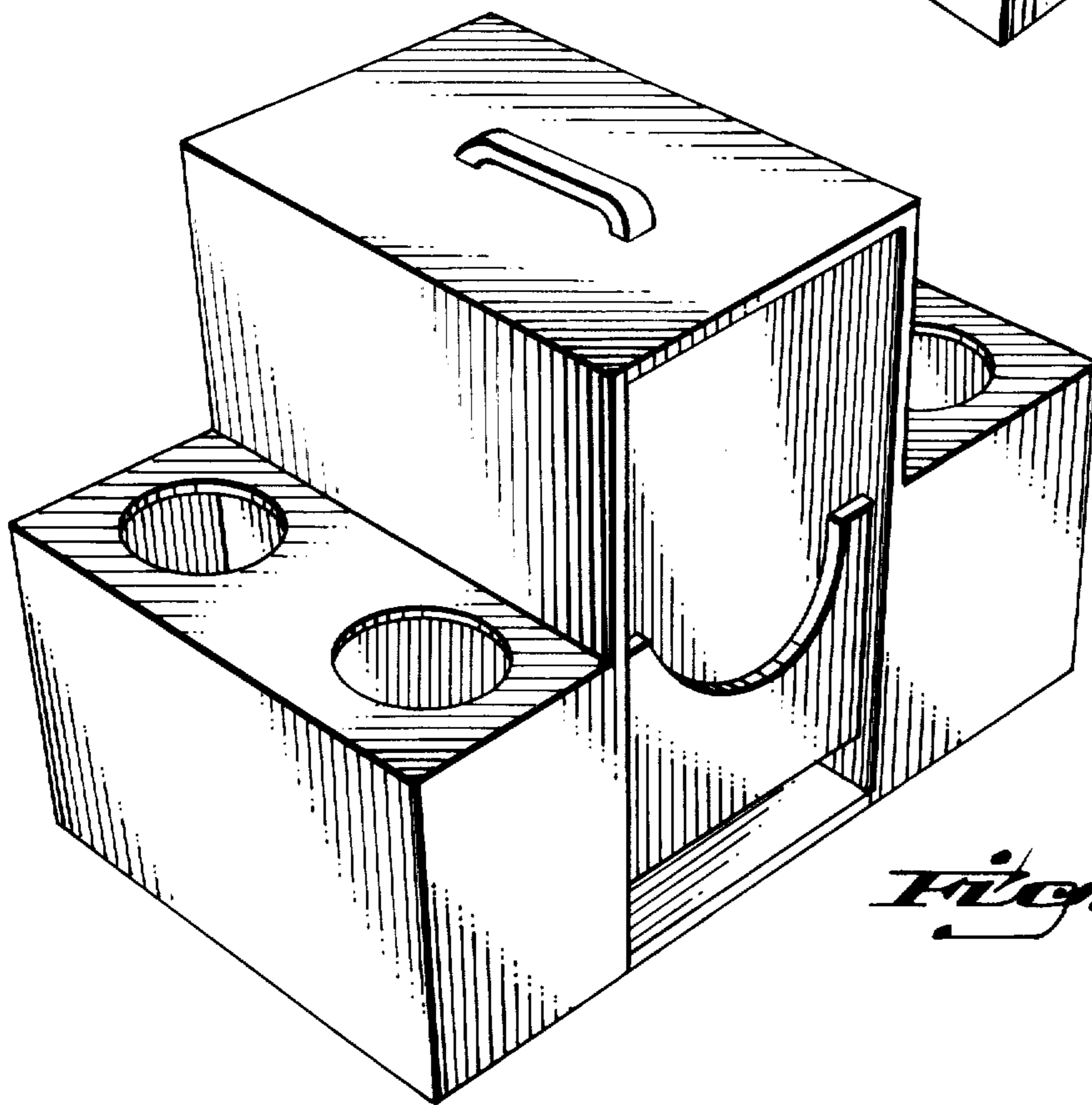


Fig. 2