

[54] PEDESTAL DESK

[76] Inventor: William Sklaroff, 726 E. Conshohocken State Road, Penn Valley, Pa. 19072

[\*\*] Term: 14 Years

[21] Appl. No.: 602,091

[22] Filed: Aug. 5, 1975

[51] Int. Cl. .... D6-04

[52] U.S. Cl. .... D6/161

[58] Field of Search ..... D6/156-171, D6/181, 186

[56] References Cited

U.S. PATENT DOCUMENTS

- D. 168,443 12/1952 Gershun ..... D6/165
- D. 226,647 4/1973 Longato ..... D6/179
- D. 238,230 12/1975 Sklaroff ..... D6/158

OTHER PUBLICATIONS

Interiors, June 1971, p. 68, R-302, Desk by Roffman.

Industrial Design, Nov. 1972, p. 46, Bench at Left Center.

Primary Examiner—Bruce W. Dunkins  
Attorney, Agent, or Firm—Paul Maleson

[57] CLAIM

The ornamental design for a pedestal desk, as shown and described.

DESCRIPTION

FIG. 1 is a perspective view taken from the left-front corner and from above of a pedestal desk showing my new design;

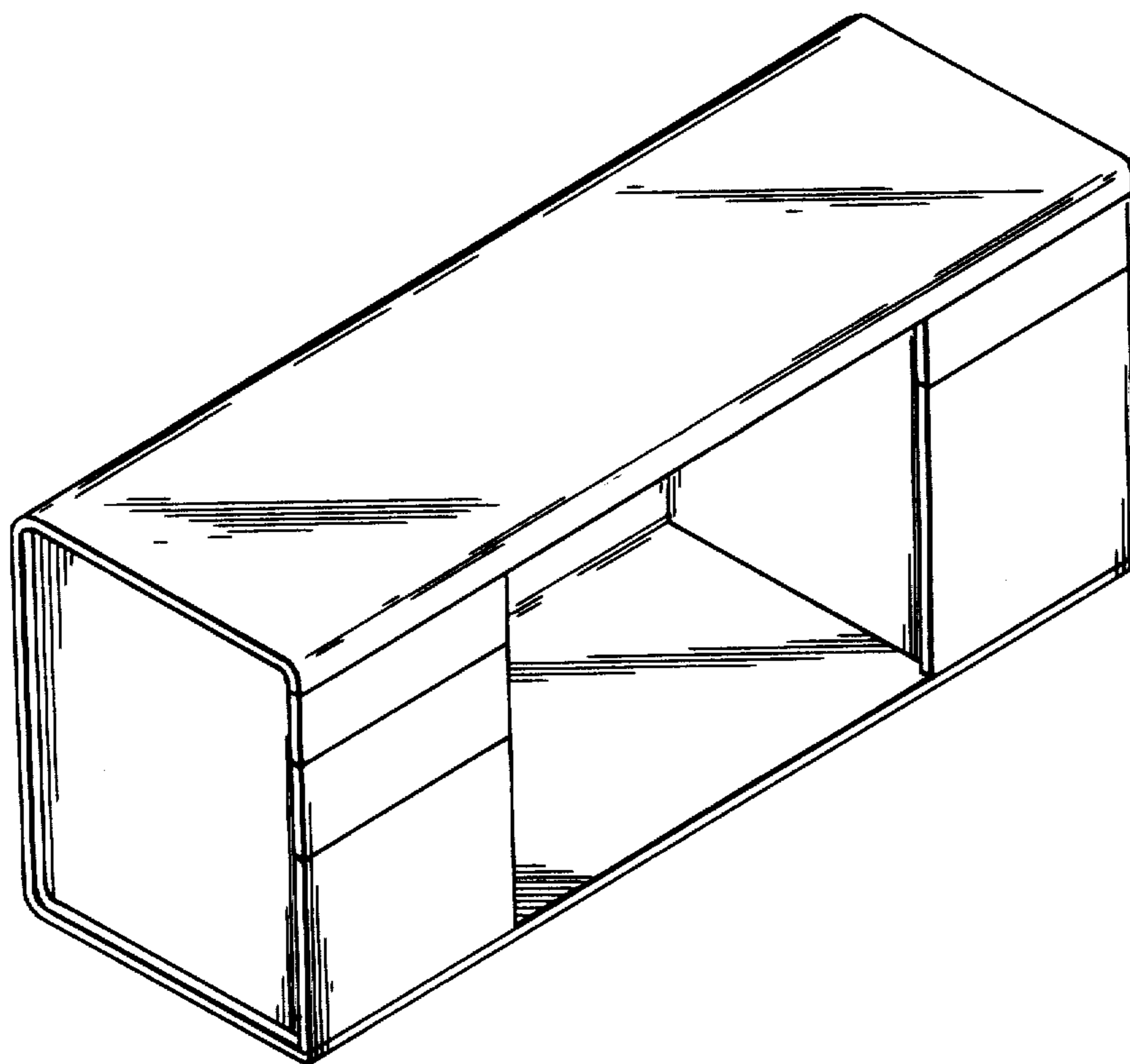
FIG. 2 is an elevational view taken from the right side hereof, and of the alternate embodiment of FIG. 6;

FIG. 3 is a top view thereof, and of the alternate embodiment of FIG. 6;

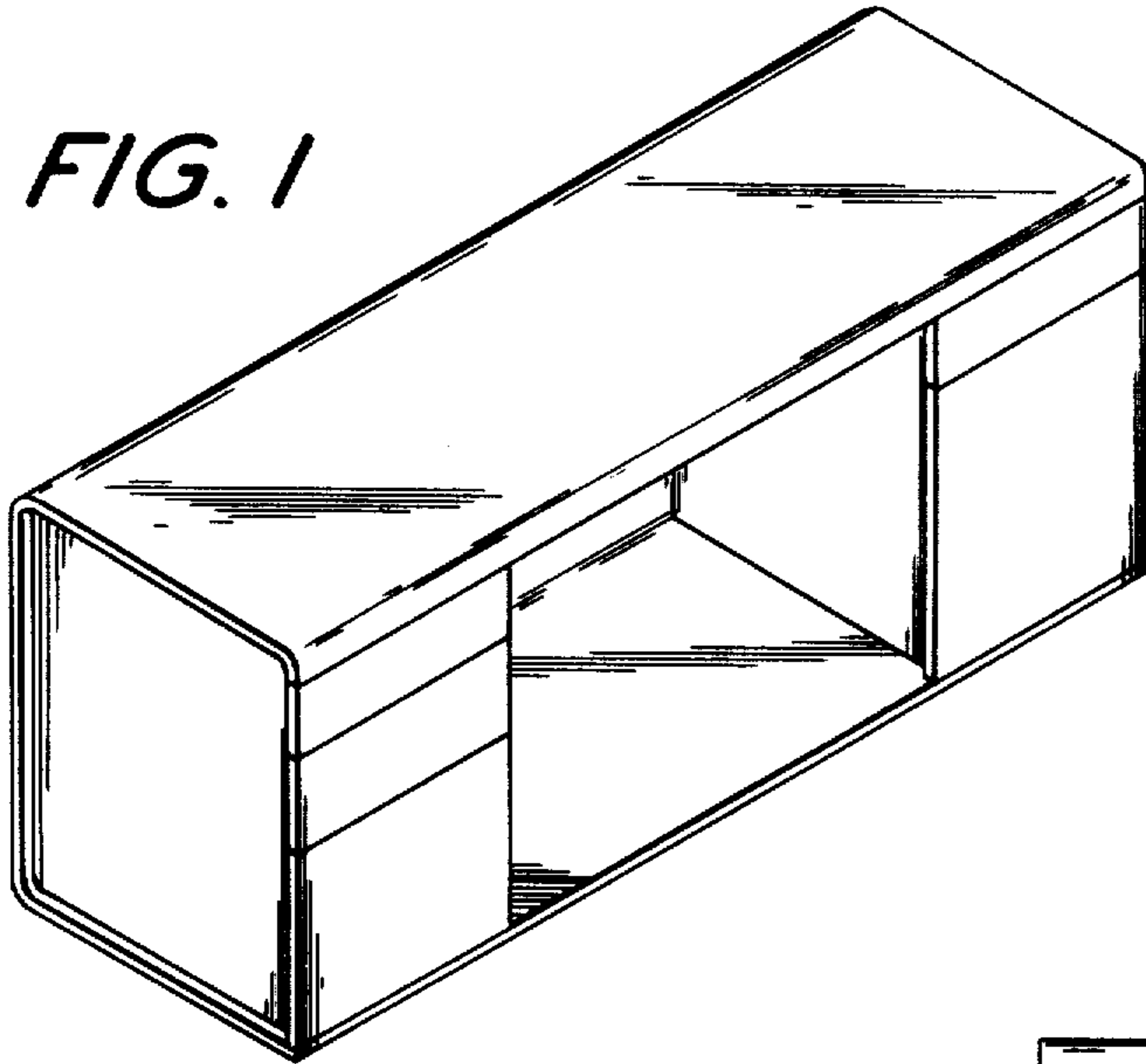
FIG. 4 is a bottom view thereof and of the alternate embodiment of FIG. 6;

FIG. 5 is a rear view thereof, and of the alternate embodiment of FIG. 6; and

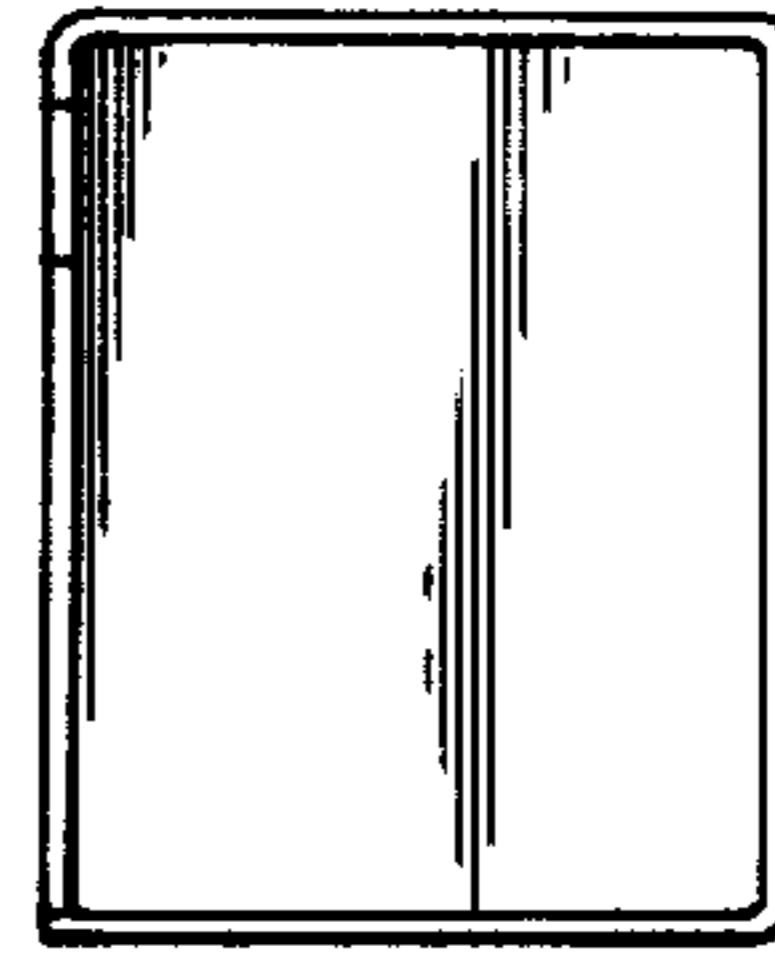
FIG. 6 is a perspective view taken from the left-front corner and from above of a pedestal desk showing an alternate embodiment thereof.



*FIG. 1*



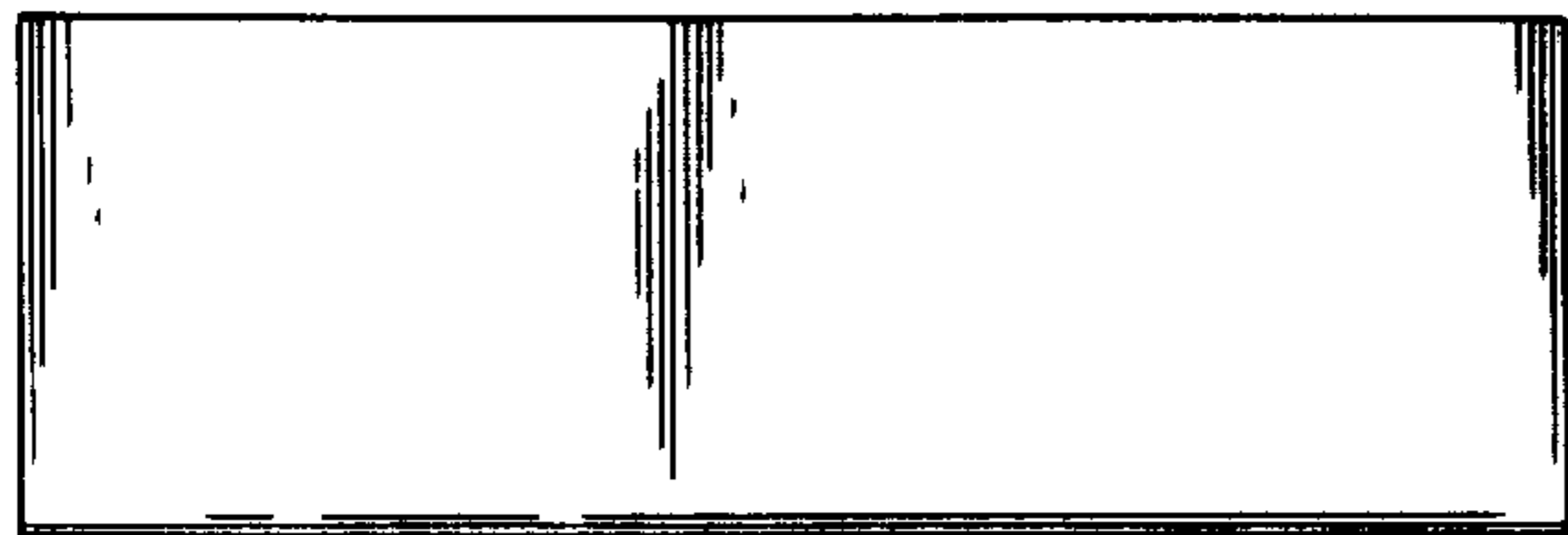
*FIG. 2*



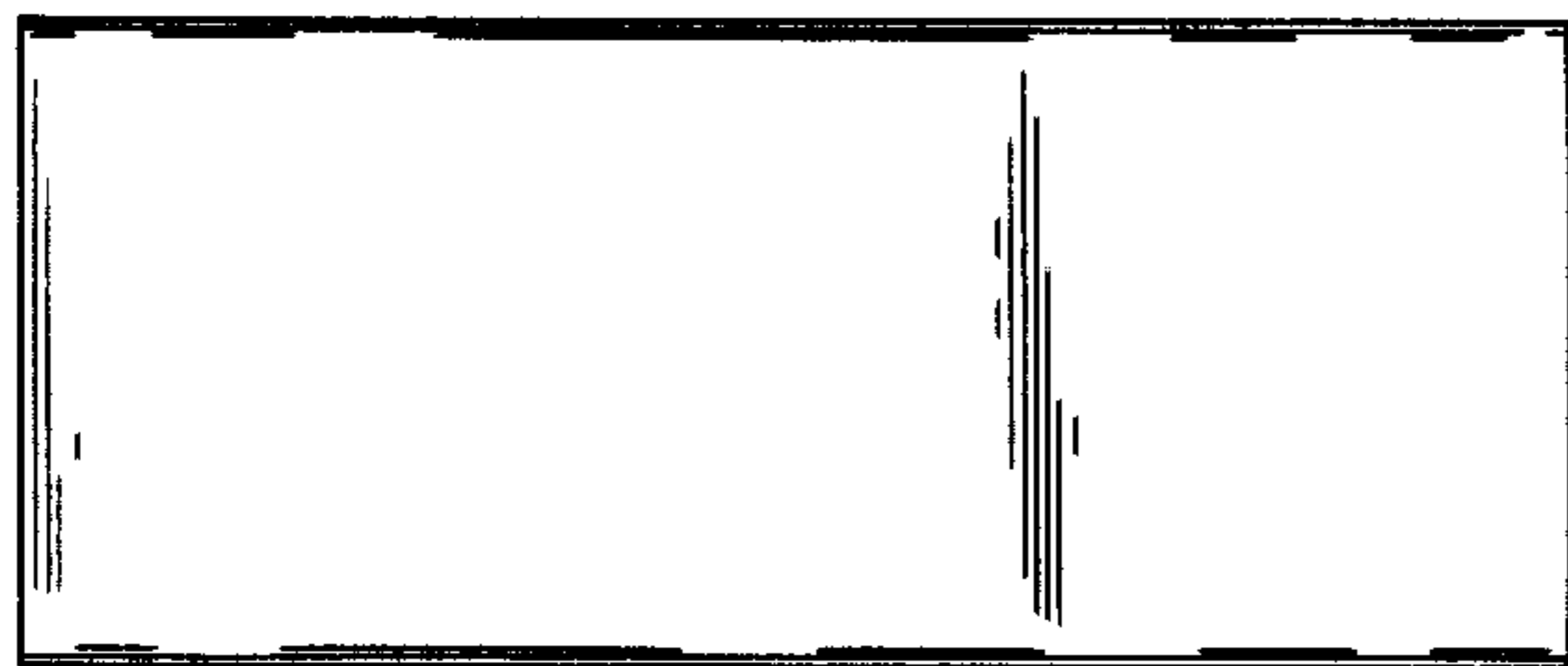
*FIG. 3*



*FIG. 4*



*FIG. 5*



*FIG. 6*

