

[54] **COMBINED SUPPORT STAND AND POWER SUPPLY FOR CORDLESS HAIR CURLING IRON**

3,293,528 12/1966 Rosen et al. .... 320/2  
D. 201,084 5/1965 Bradshaw ..... D26/15 B

[75] Inventor: Samuel L. McNair, Kansas City, Mo.

Primary Examiner—Wallace R. Burke

[73] Assignee: Dazey Products Co., Kansas City, Mo.

Assistant Examiner—B. J. Bullock

Attorney, Agent, or Firm—Claude W. Lowe

[\*\*] Term: 14 Years

[57] **CLAIM**

[21] Appl. No.: 668,530

The ornamental design for a combined support stand and power supply for cordless hair curling iron, as shown and described.

[22] Filed: Mar. 19, 1976

**DESCRIPTION**

[51] Int. Cl. .... D6—04; D13—02

[52] U.S. Cl. .... D6/114

[58] **Field of Search** ..... D6/85, 87, 114, 118, D6/120, 125, 129, 130, 131, 132, 134, 136, 137, 191, 199; D26/15 B; 211/13, 60 R, 87, 88; 320/2

FIG. 1 is a reduced rear perspective view of a combined support stand and battery charger for cordless hair curling iron showing my new design.

FIG. 2 is a top plan view of same;

FIG. 3 is a side elevational view of same, the other side being substantially identical;

FIG. 4 is a front elevational view of same;

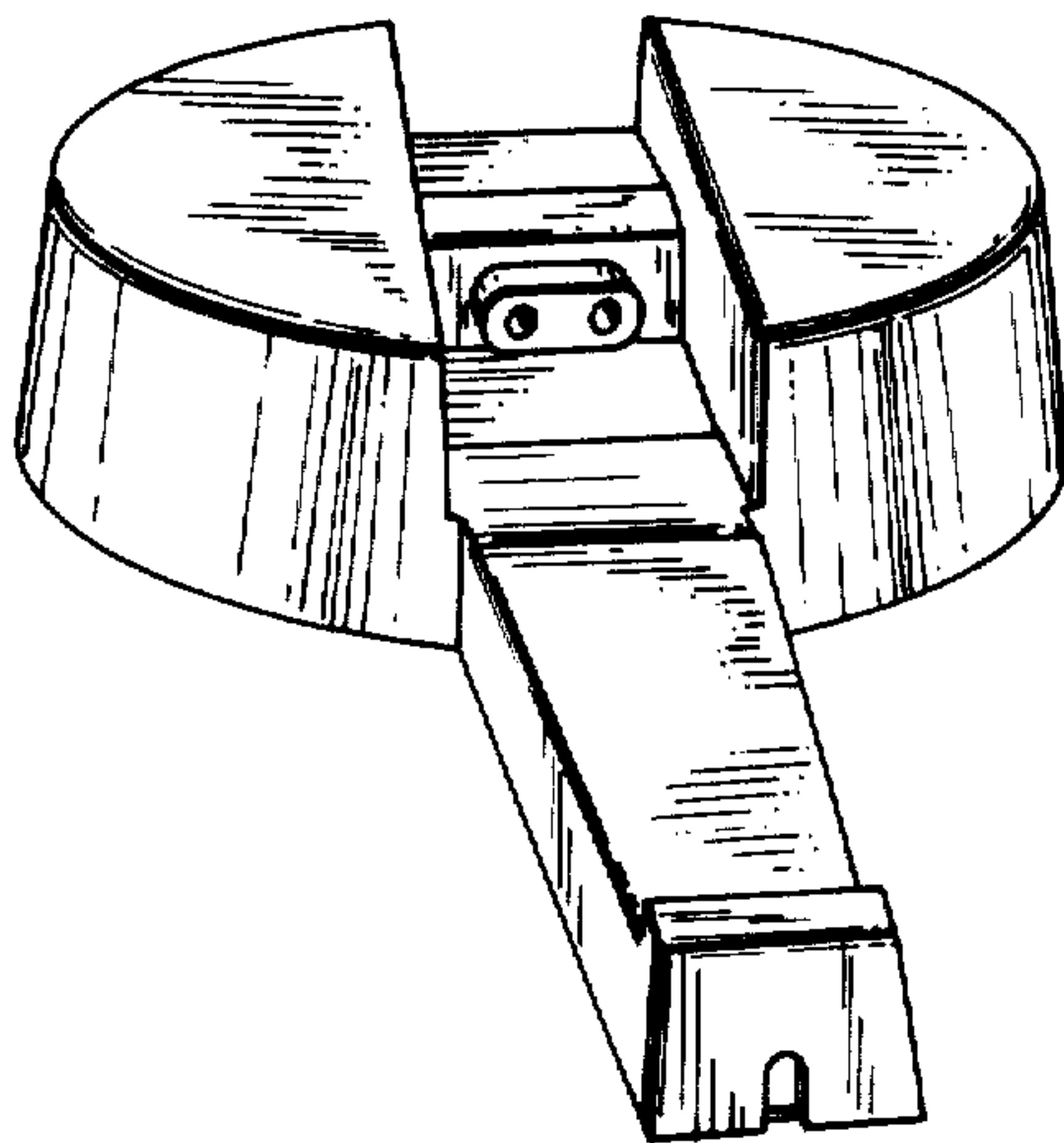
FIG. 5 is a rear elevational view of same; and

FIG. 6 is a bottom plan view of same.

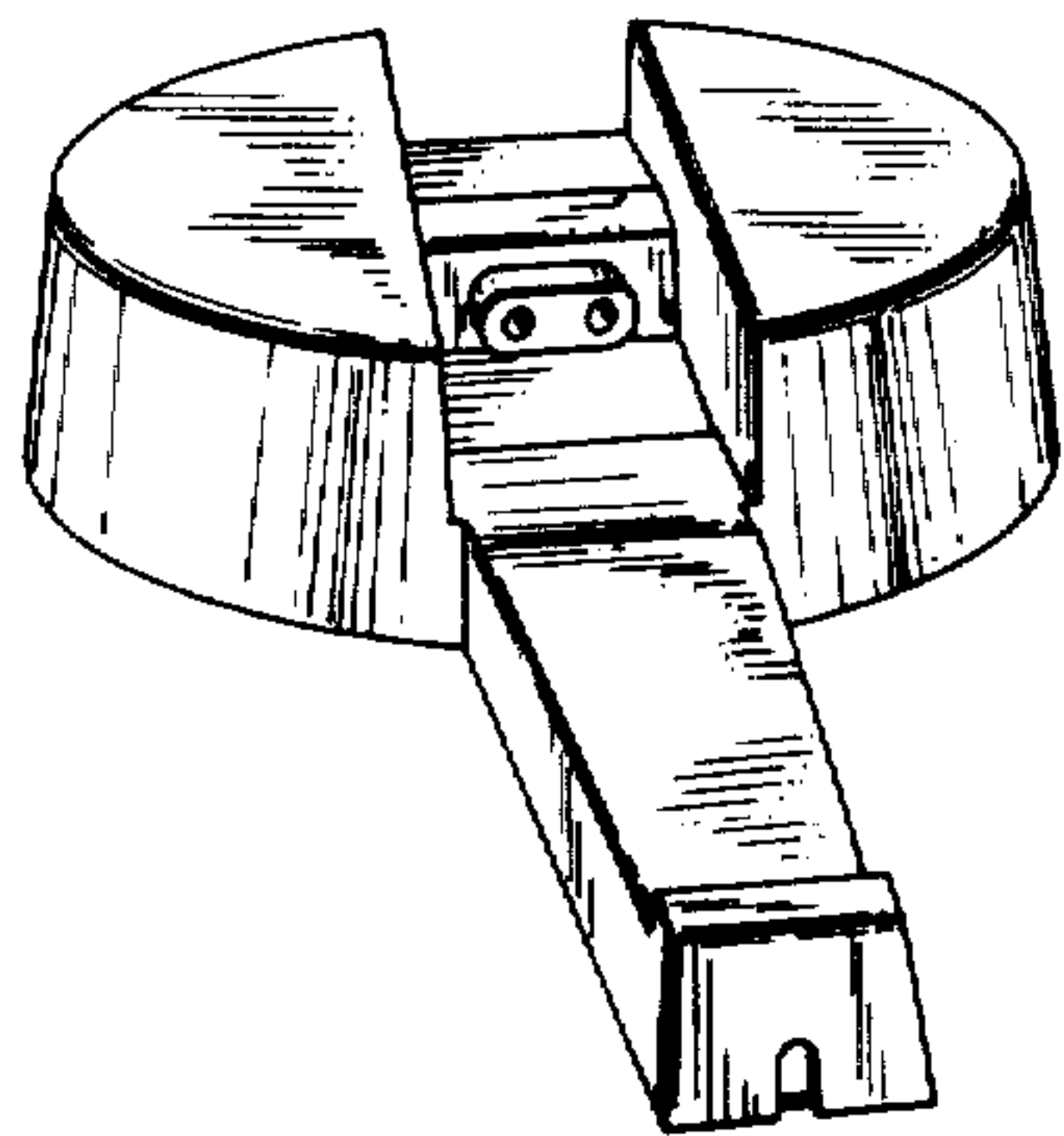
[56] **References Cited**

**U.S. PATENT DOCUMENTS**

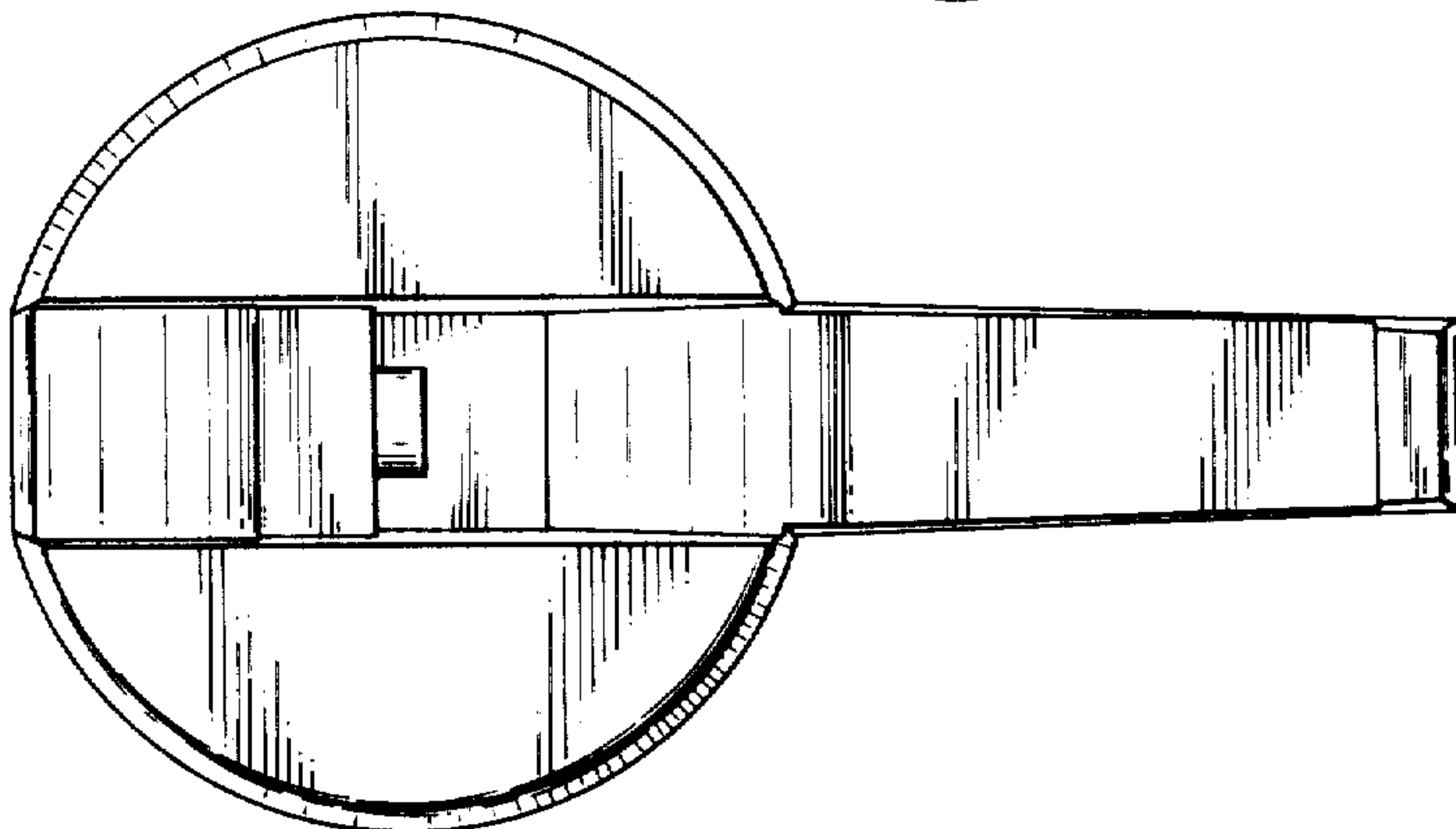
3,273,038 9/1966 Miller ..... 320/2



*Fig. 1.*



*Fig. 2.*



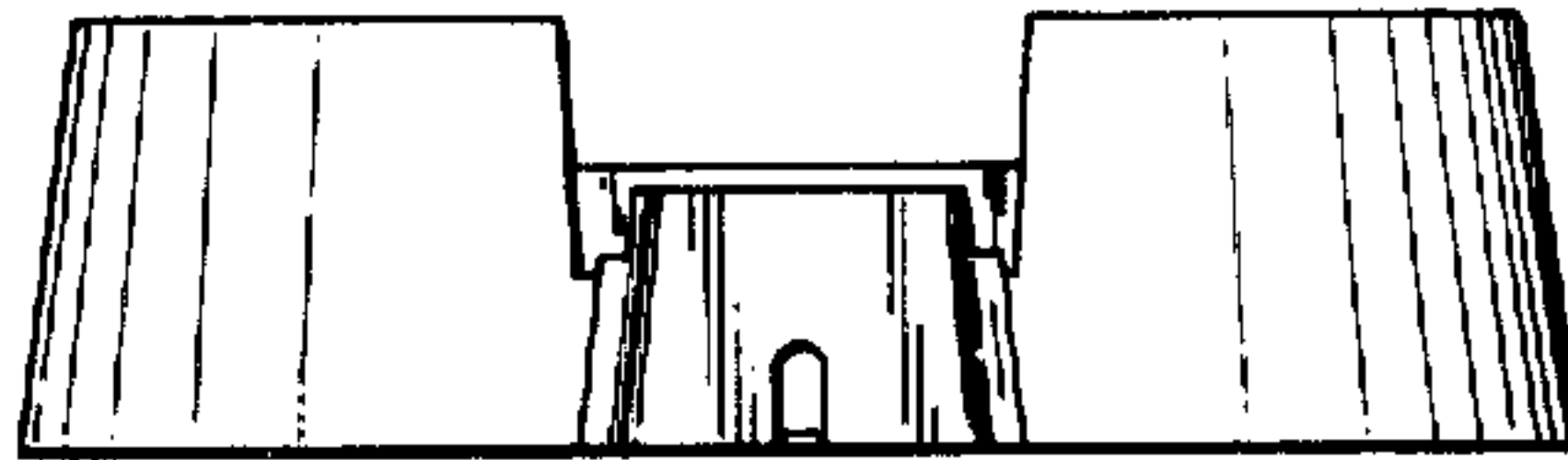
*Fig. 3.*



*Fig. 4.*



*Fig. 5.*



*Fig. 6.*

