

[54] **COMBINED TOOTHBRUSH HOLDER AND BRACKET**

[76] Inventor: **John Madison Harris**, P.O. Box 2819, West Palm Beach, Fla. 33402

[**] Term: **14 Years**

[21] Appl. No.: **479,681**

[44] Published under the second Trial Voluntary Protest Program on March 16, 1976 as document No. B 479,681.

[22] Filed: **July 2, 1974**

[51] Int. Cl. **D23-02**

[52] U.S. Cl. **D6/94**

[58] **Field of Search** D6/85, 114, 86, 92, D6/94, 103; 211/85-88, 71, 74, 75, 113, 118, 126, 16; 248/27.5, 27.8, 317, 318; 206/361, 362, 362.1, 362.2, 362.3

[56] **References Cited**

U.S. PATENT DOCUMENTS

1,409,701	3/1922	Giles	D6/94 X
1,527,832	2/1925	Bragg et al.	D6/94 X
3,325,847	6/1967	Meranto	206/362.3 X

D. 32,580 4/1900 Moule D8/233

OTHER PUBLICATIONS

Sears Catalog, Fall/Winter 1972, Item 16, Rural Mailbox.

Primary Examiner—Wallace R. Burke

Assistant Examiner—B. J. Bullock

[57] **CLAIM**

The ornamental design for a combined toothbrush holder and bracket, as shown and described.

DESCRIPTION

FIG. 1 is an exploded perspective view of a combined toothbrush holder and bracket showing my new design, the toothbrush being shown in broken lines for illustrative purposes only.

FIG. 2 is a bottom perspective view thereof in a closed position with the bracket omitted for ease of illustration.

FIG. 3 is a back elevational view thereof with the bracket omitted for ease of illustration.

FIG. 4 is a side elevational view thereof with the bracket omitted for ease of illustration.

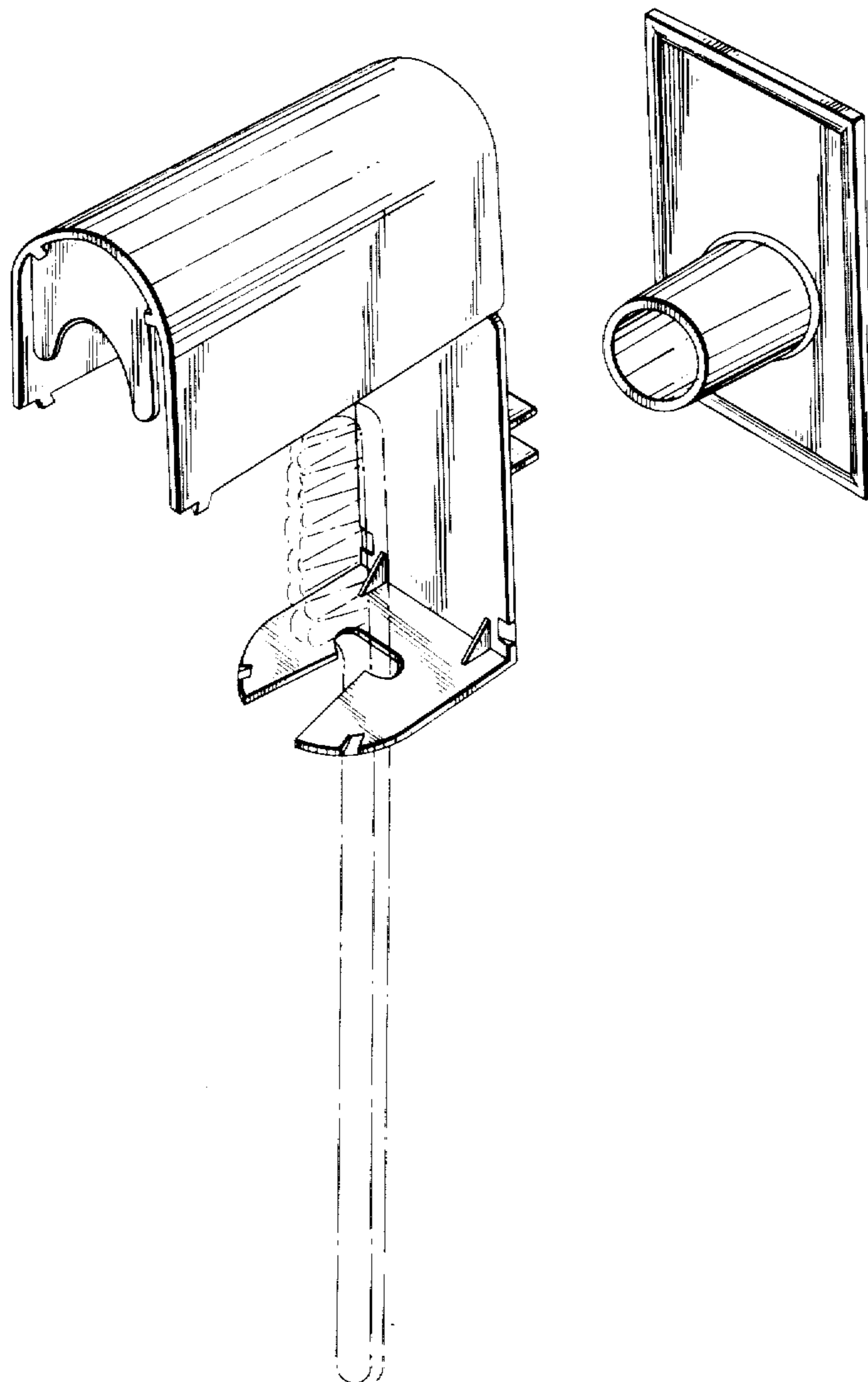


FIG. 1

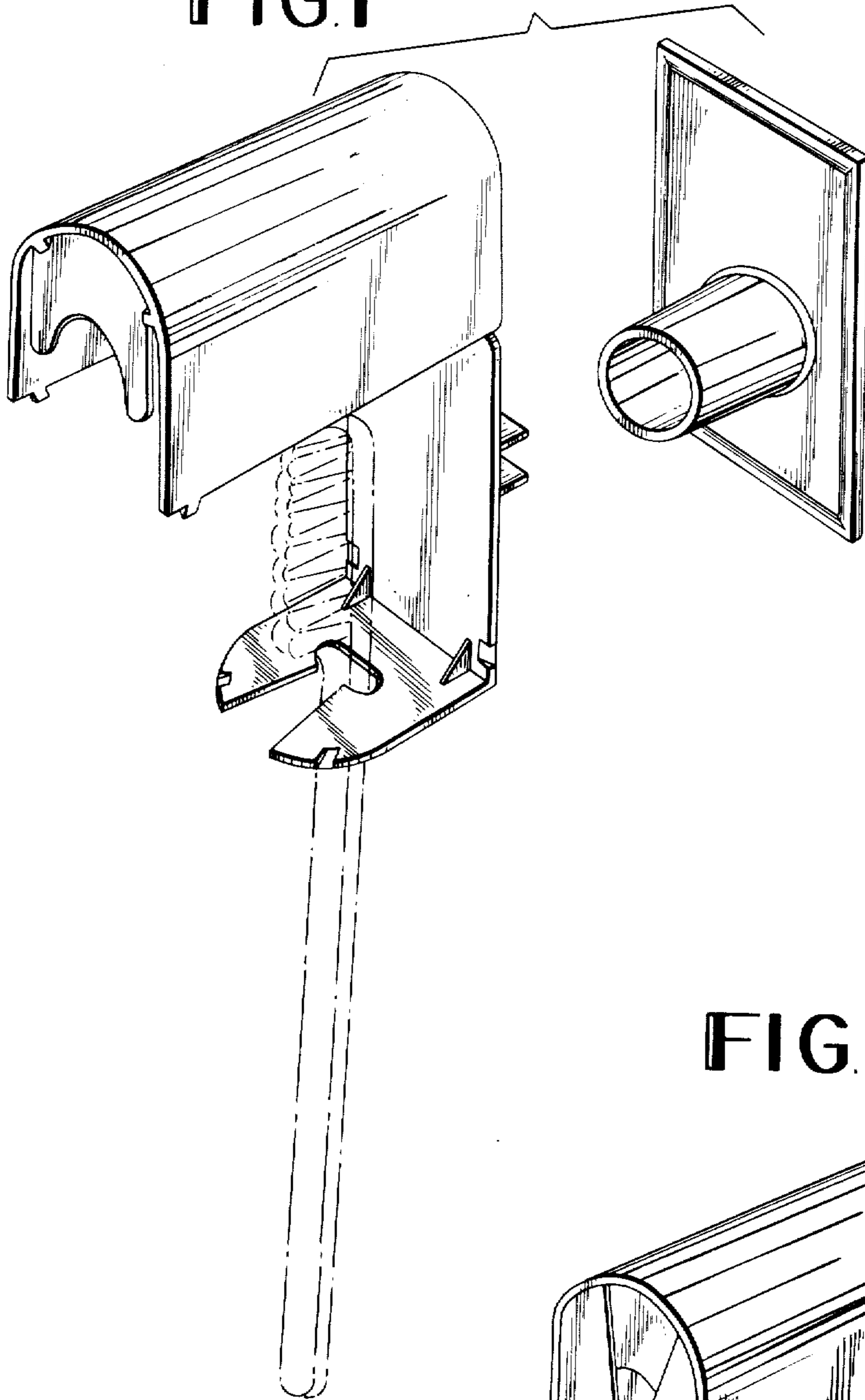


FIG. 2

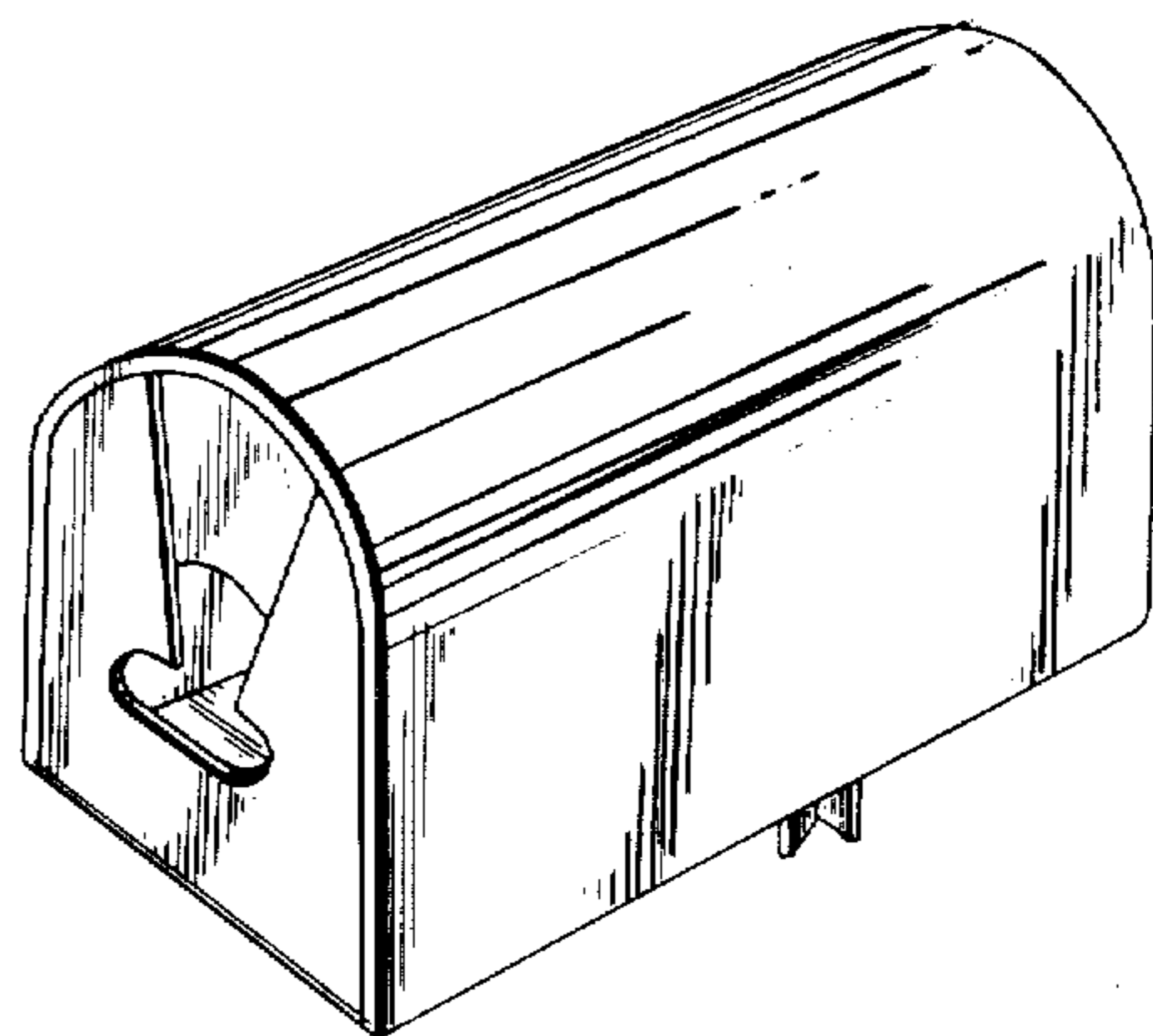


FIG. 3

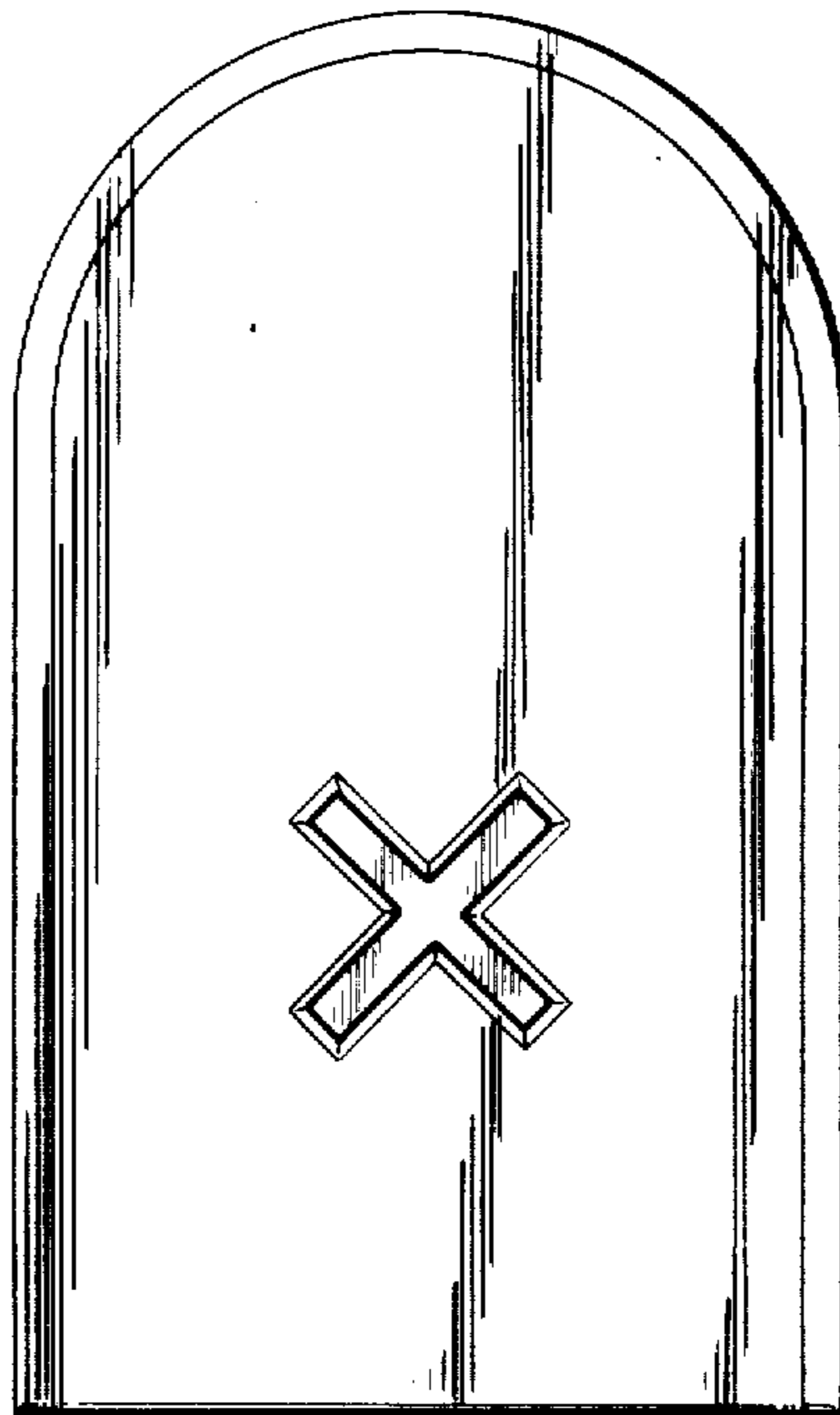


FIG. 4

