

- [54] SHIPPING CONTAINER
- [75] Inventor: Miles Henry Astle, London, England
- [73] Assignee: John Dale Limited, London, England
- [**] Term: 14 Years
- [21] Appl. No.: 585,950
- [22] Filed: June 11, 1975
- [30] Foreign Application Priority Data
Dec. 19, 1974 United Kingdom 969128/74
- [51] Int. Cl. D9-03
- [52] U.S. Cl. D87/1 R
- [58] Field of Search D87/1 R; D9/177;
206/503, 509-511; 220/83

- [56] References Cited
- U.S. PATENT DOCUMENTS
- 3,373,921 3/1968 CraneD87/1 R
- D. 233,021 10/1974 Chavez et al. D9/177
- D. 233,022 10/1974 Chavez et al. D9/177
- Primary Examiner—Joel Stearman
- Assistant Examiner—George P. Word
- Attorney, Agent, or Firm—Francis C. Browne

[57] CLAIM

The ornamental design for a shipping container, as shown.

DESCRIPTION

FIG. 1 is a perspective view of a shipping container showing my new design;
FIG. 2 is a bottom rear perspective view thereof.

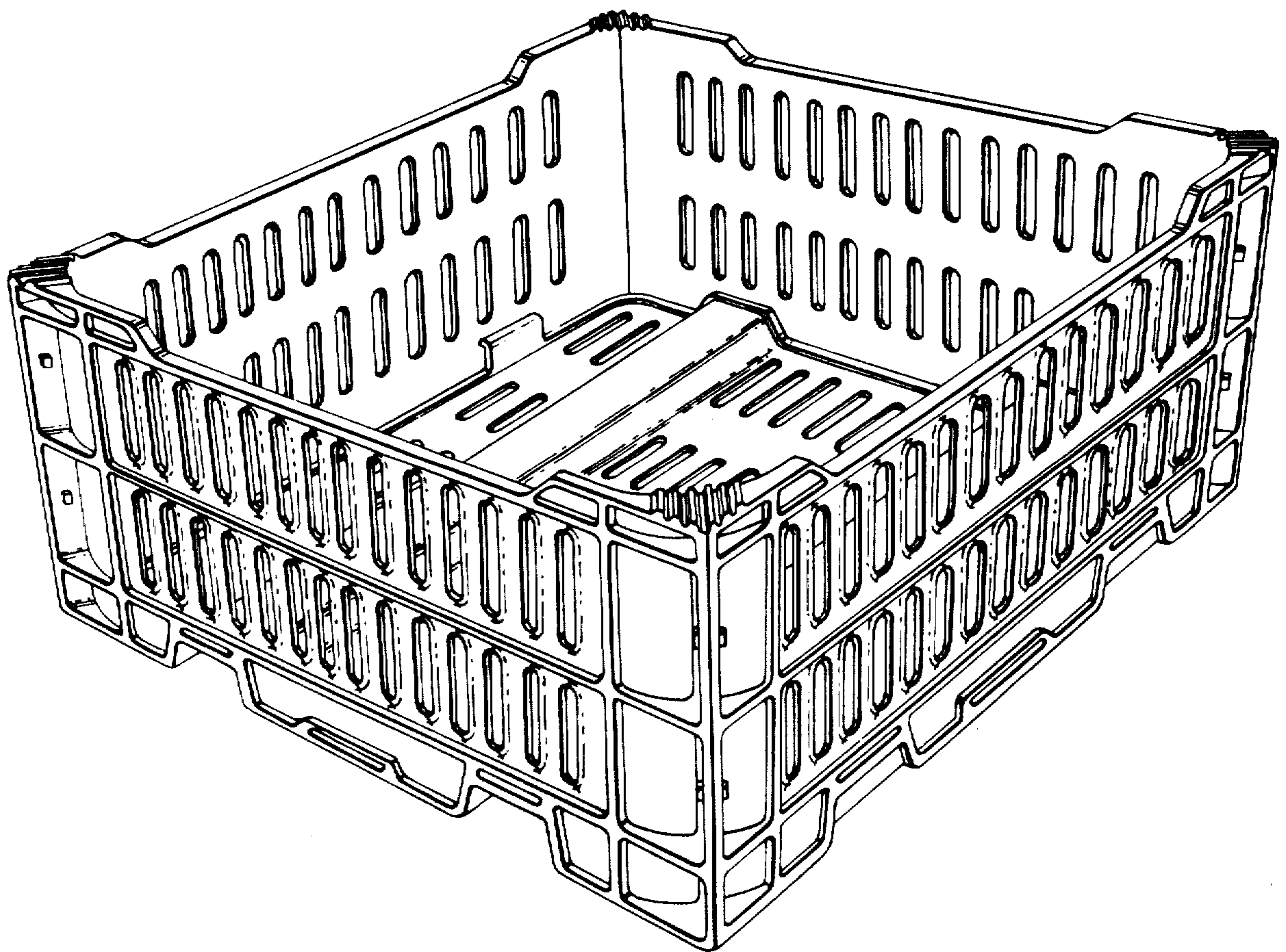


FIG. 1.

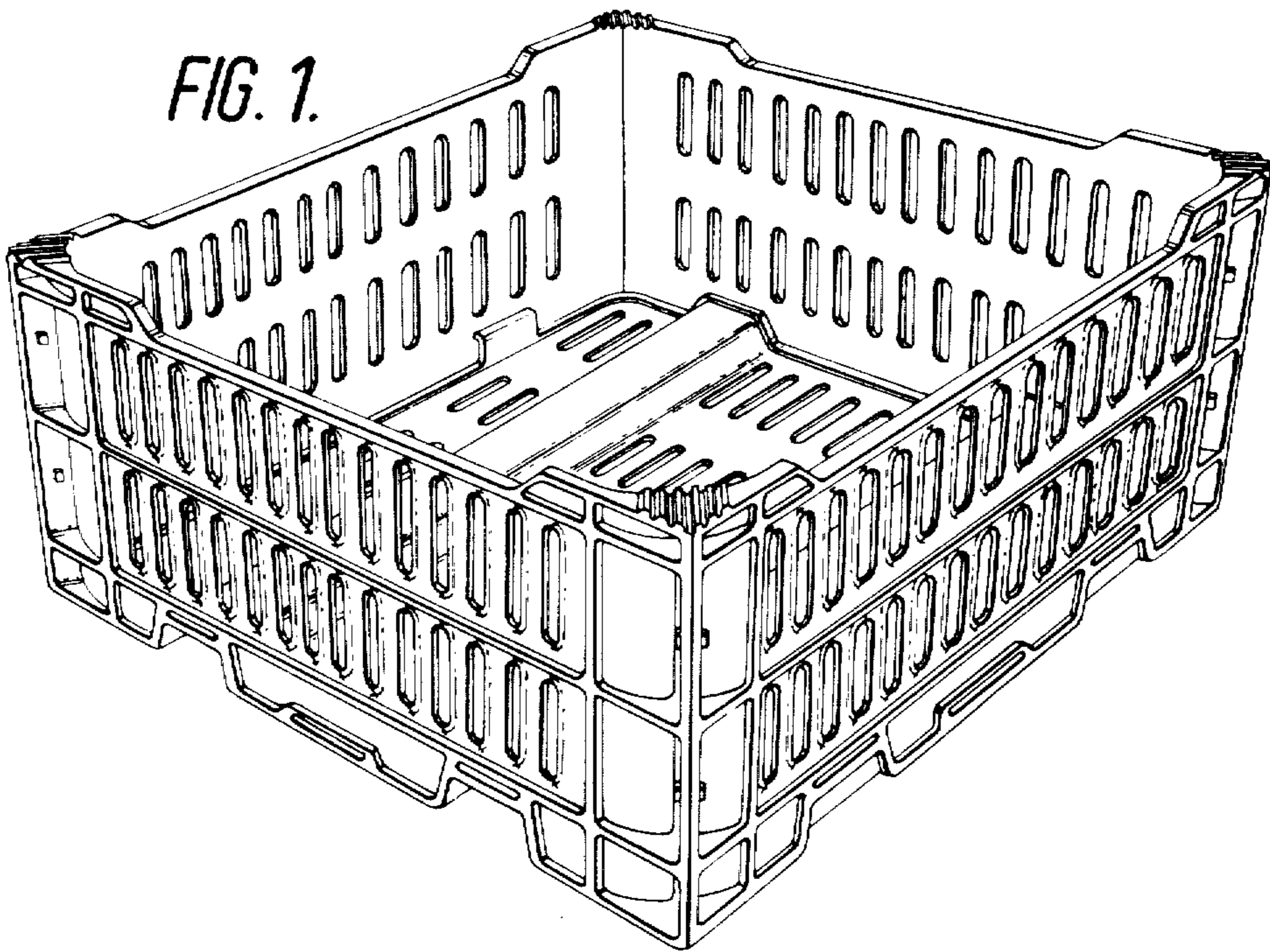


FIG. 2.

