

[54] SEWING MACHINE CARRYING CASE

[75] Inventors: Donald Michael Genaro, Haworth, N.J.; Cristian Julian Felix, Flushing, N.Y.

[73] Assignee: The Singer Company

[**] Term: 14 Years

[21] Appl. No.: 573,633

[22] Filed: May 1, 1975

[51] Int. Cl. D3-02

[52] U.S. Cl. D87/1 R

[58] Field of Search D87/1 R, 1 D, 3 F, 5 R, D87/5 Q, 5 E, 5 F, 5 G; 150/21, 17, 52 R, 28; 190/412, 43

[56] References Cited

U.S. PATENT DOCUMENTS

2,746,581	5/1956	Ritter, Jr.	D87/5 G
2,795,258	6/1957	Berry et al.	150/28 R
3,777,862	12/1973	Zipper	190/43
D. 178,938	10/1956	Tarlé	D87/1 R

OTHER PUBLICATIONS

Office Appliances, Mar. 1968, p. 111, Item Left Center.

Primary Examiner—Joel Stearman
Assistant Examiner—George P. Word
Attorney, Agent, or Firm—Marshall J. Breen

[57] CLAIM

The ornamental design for a sewing machine carrying case, substantially as shown and described.

DESCRIPTION

FIG. 1 is a front perspective view of a sewing machine carrying case showing our new design; FIG. 2 is a perspective view thereof with the front flap opened; FIG. 3 is a top plan view; FIG. 4 is a front elevational view; FIG. 5 is a right side elevational view; FIG. 6 is a rear elevational view; FIG. 7 is a left side elevational view. FIG. 8 is a bottom plan view; and FIG. 9 is a top plan view of the sewing machine carrying case in fully opened condition.

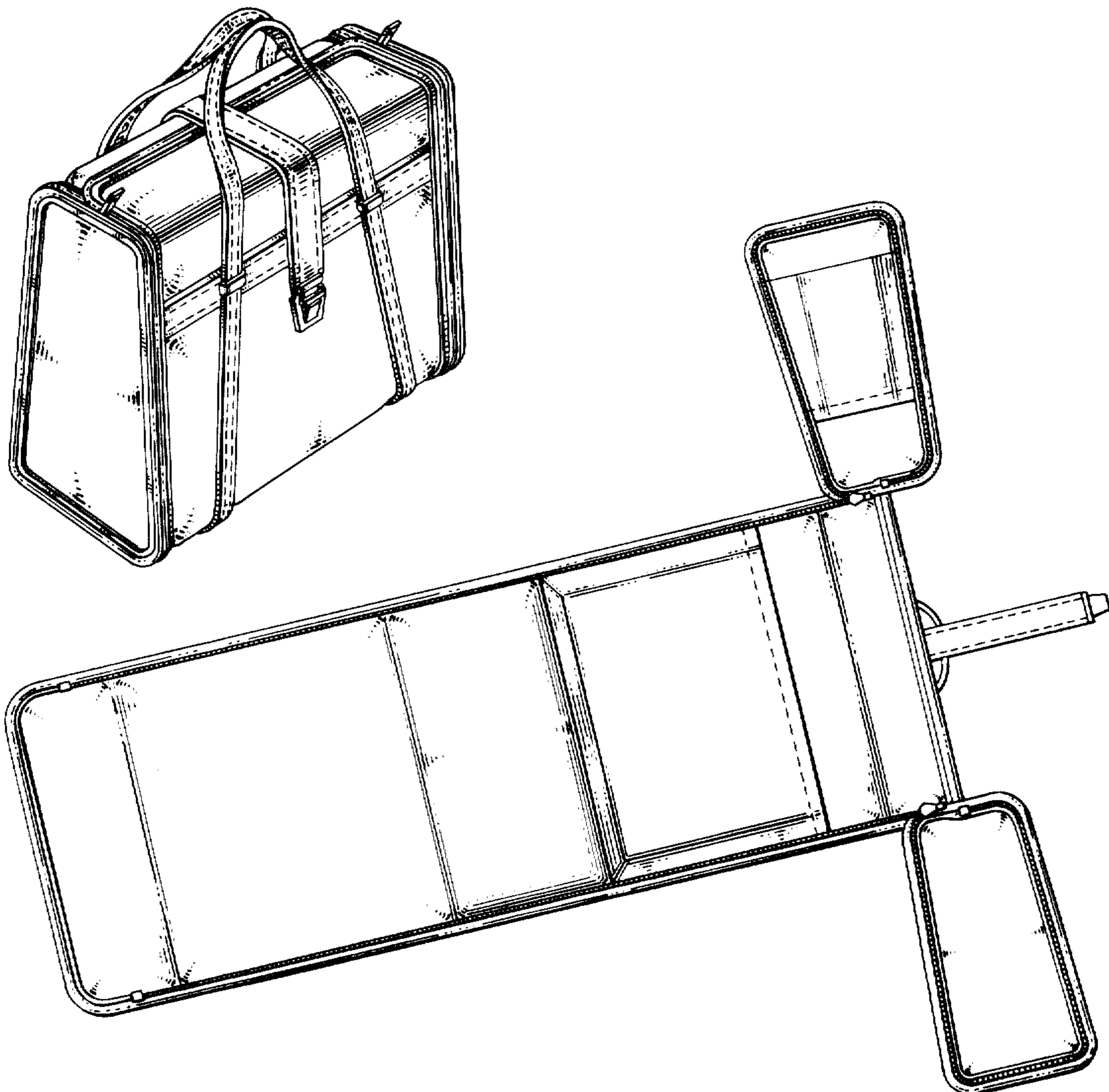


Fig. 1.

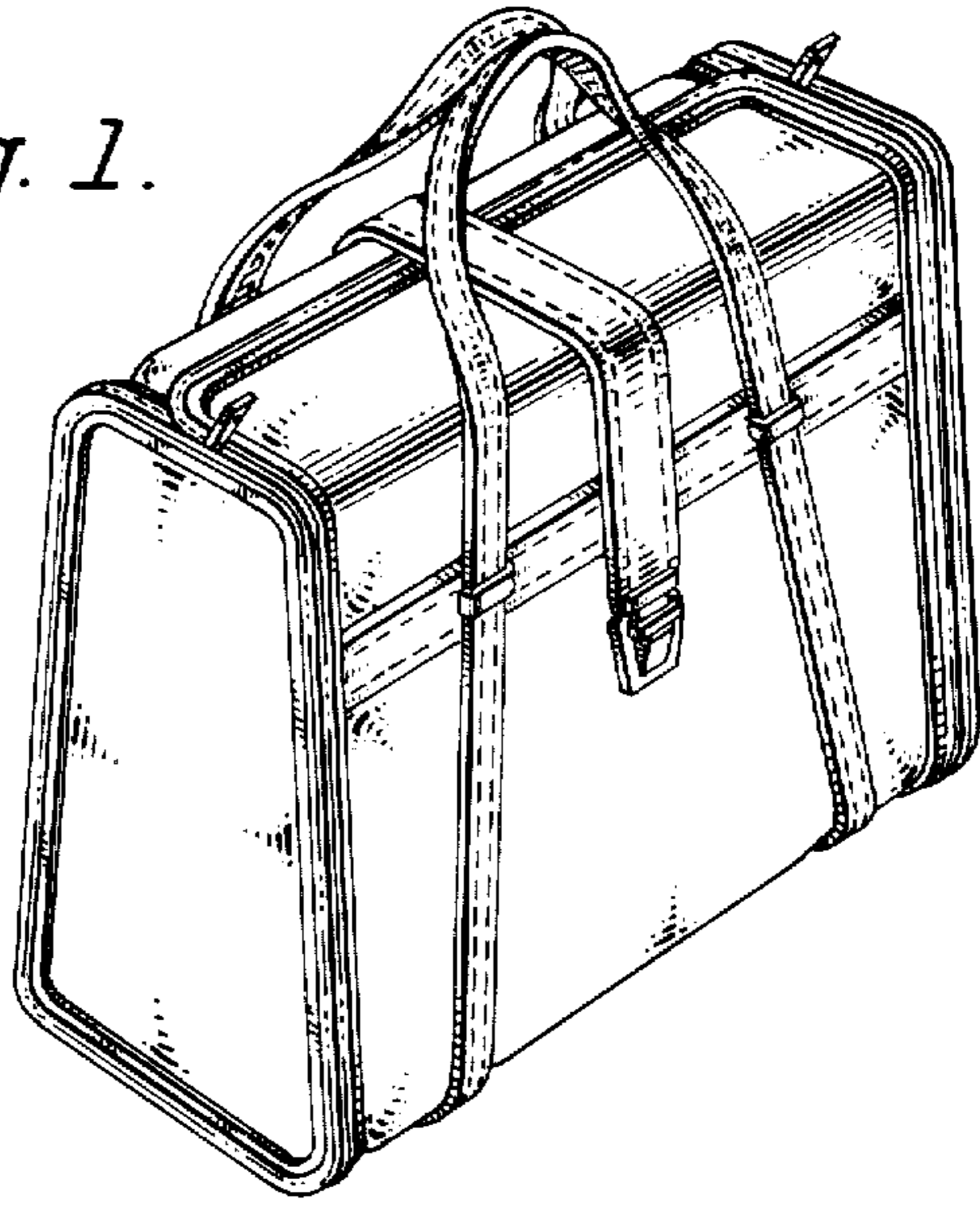


Fig. 2.

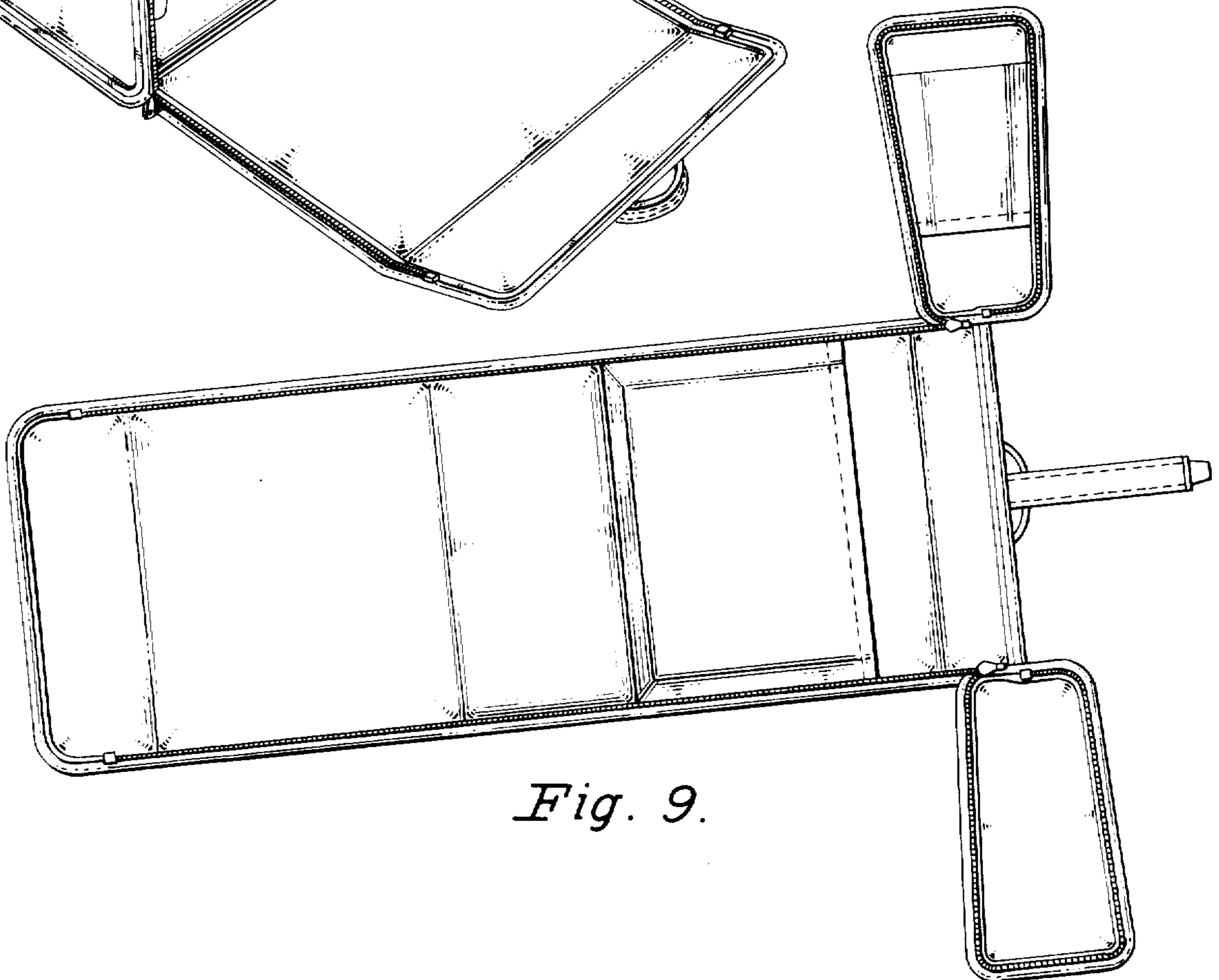
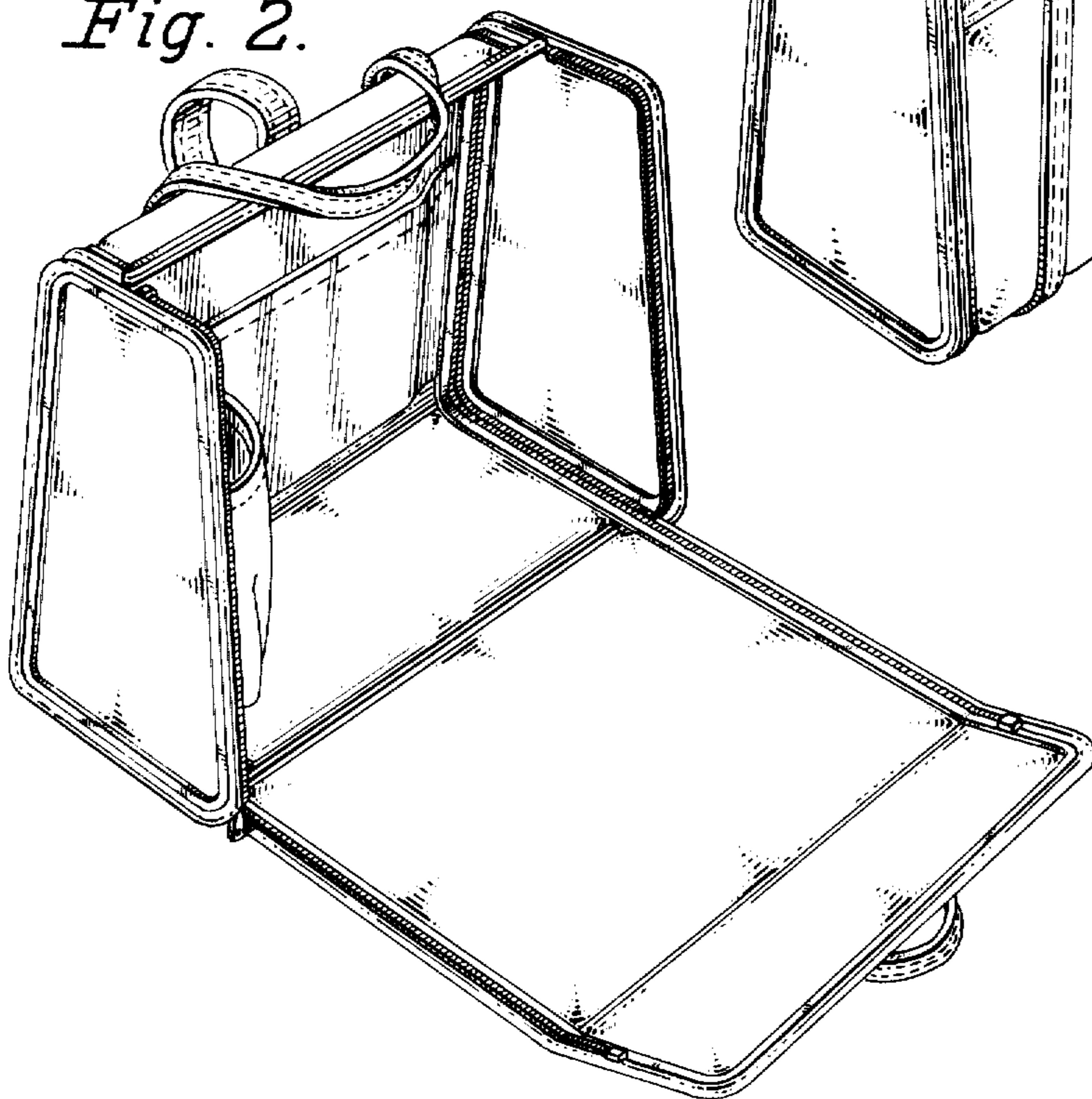


Fig. 9.

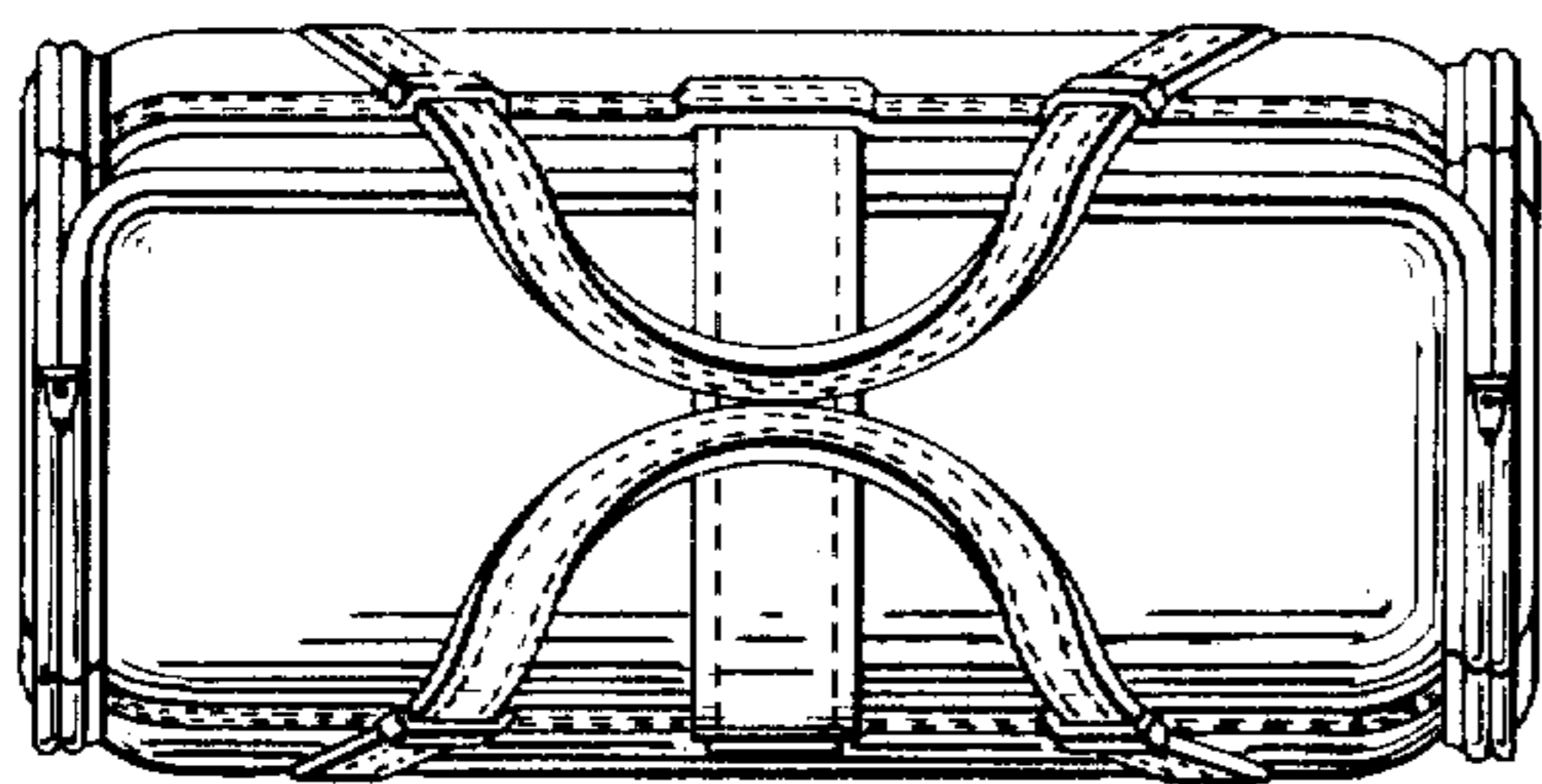


Fig. 3.

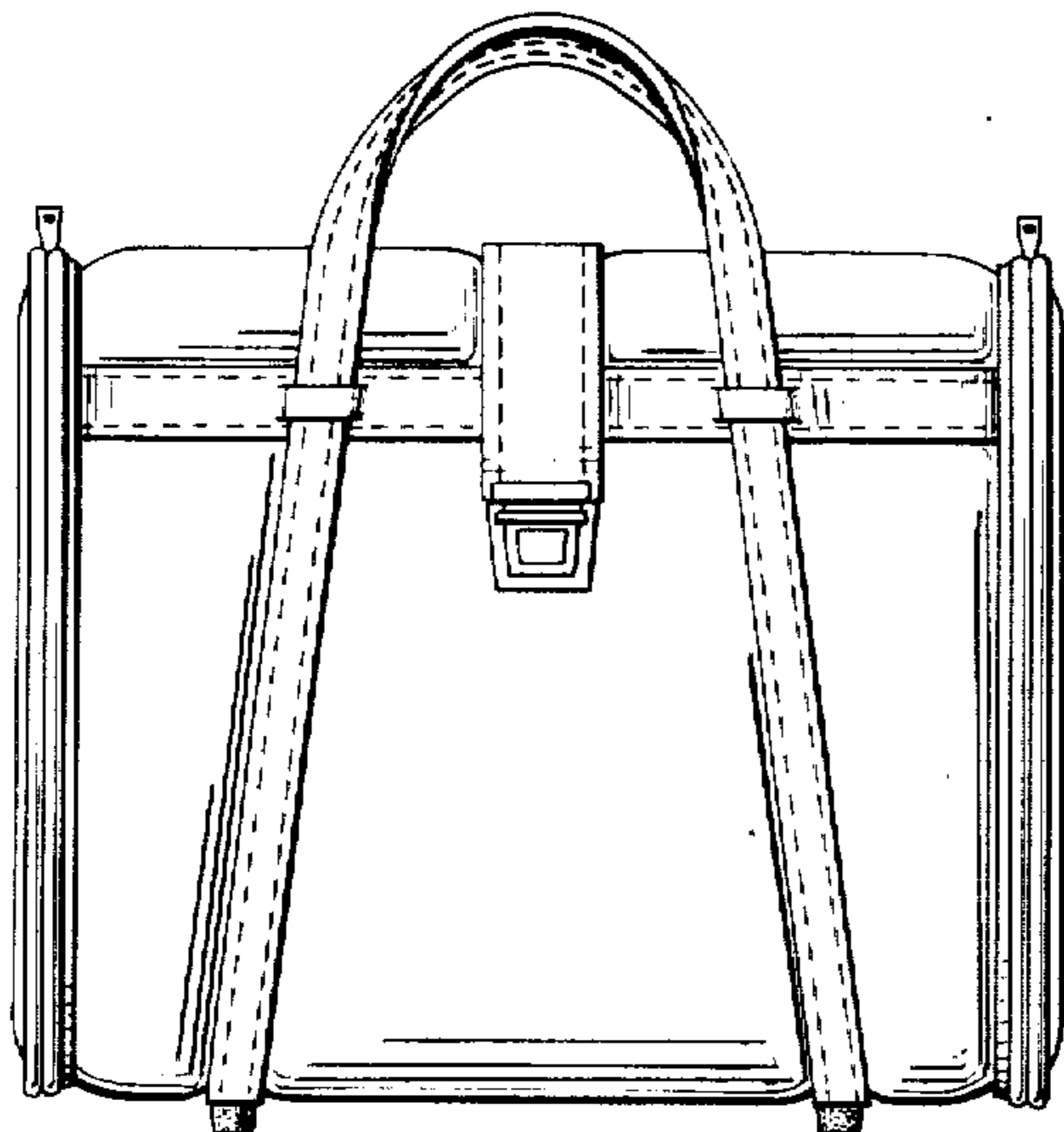


Fig. 4.

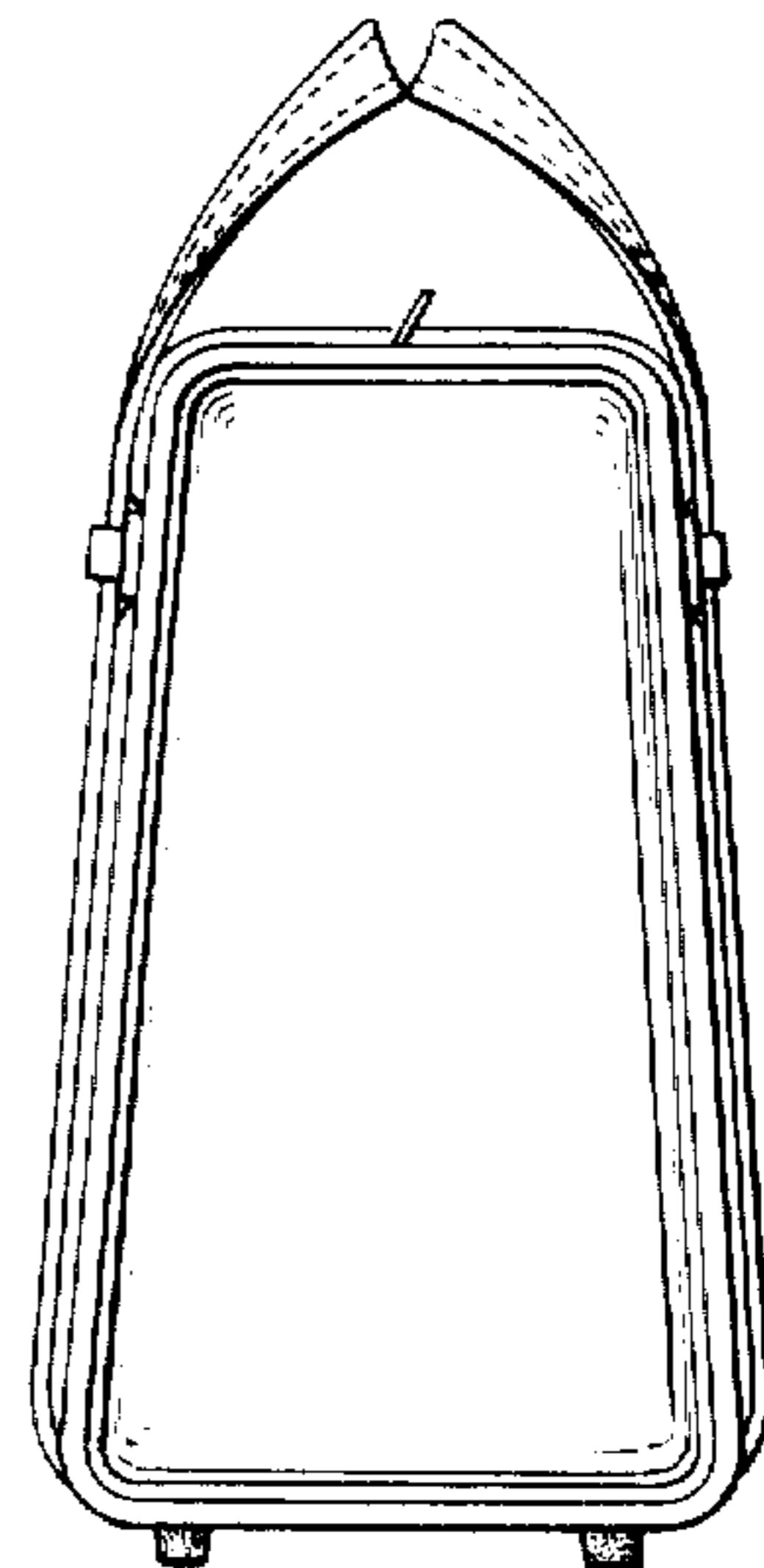


Fig. 5.

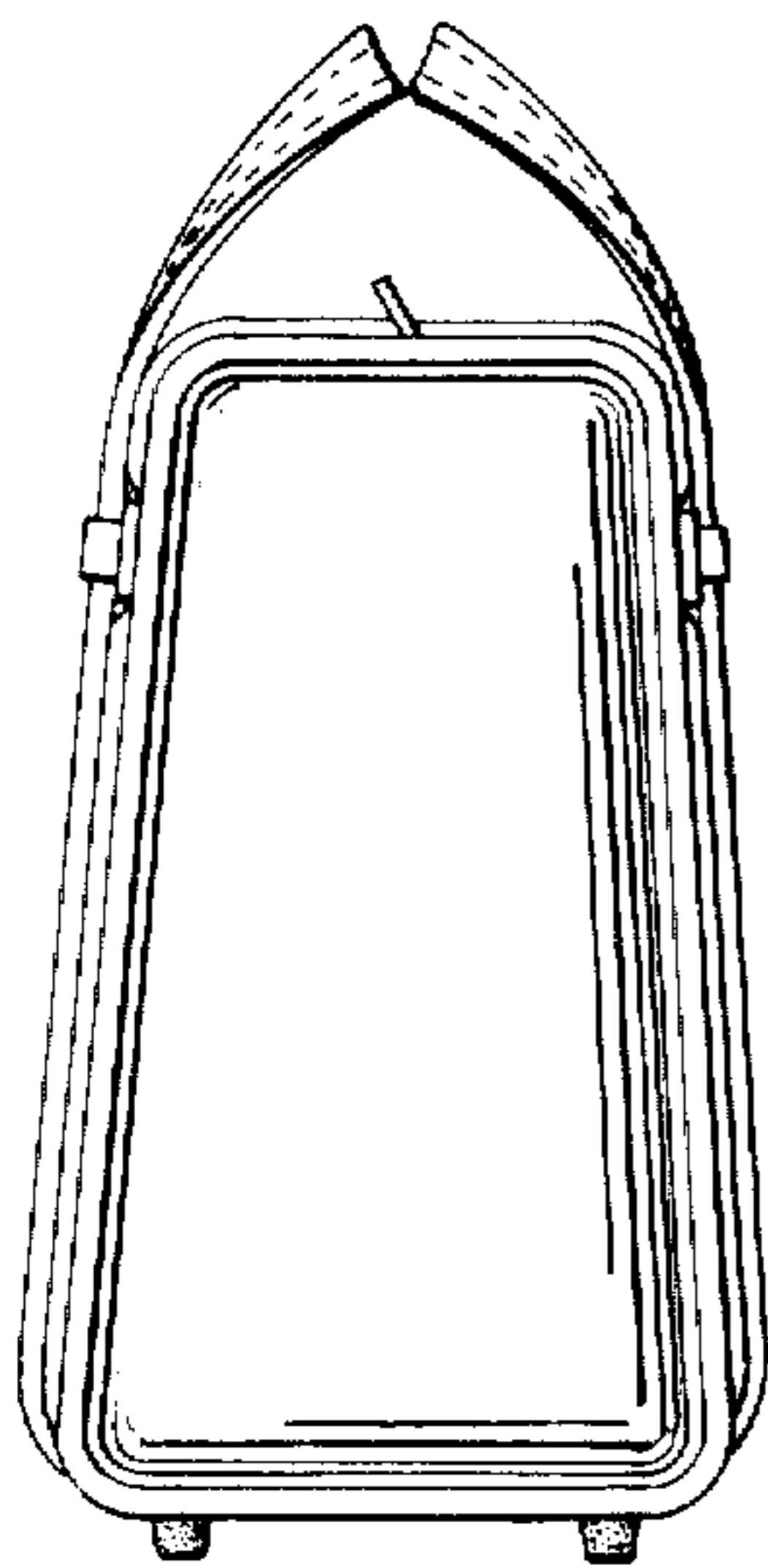


Fig. 6.

Fig. 7.

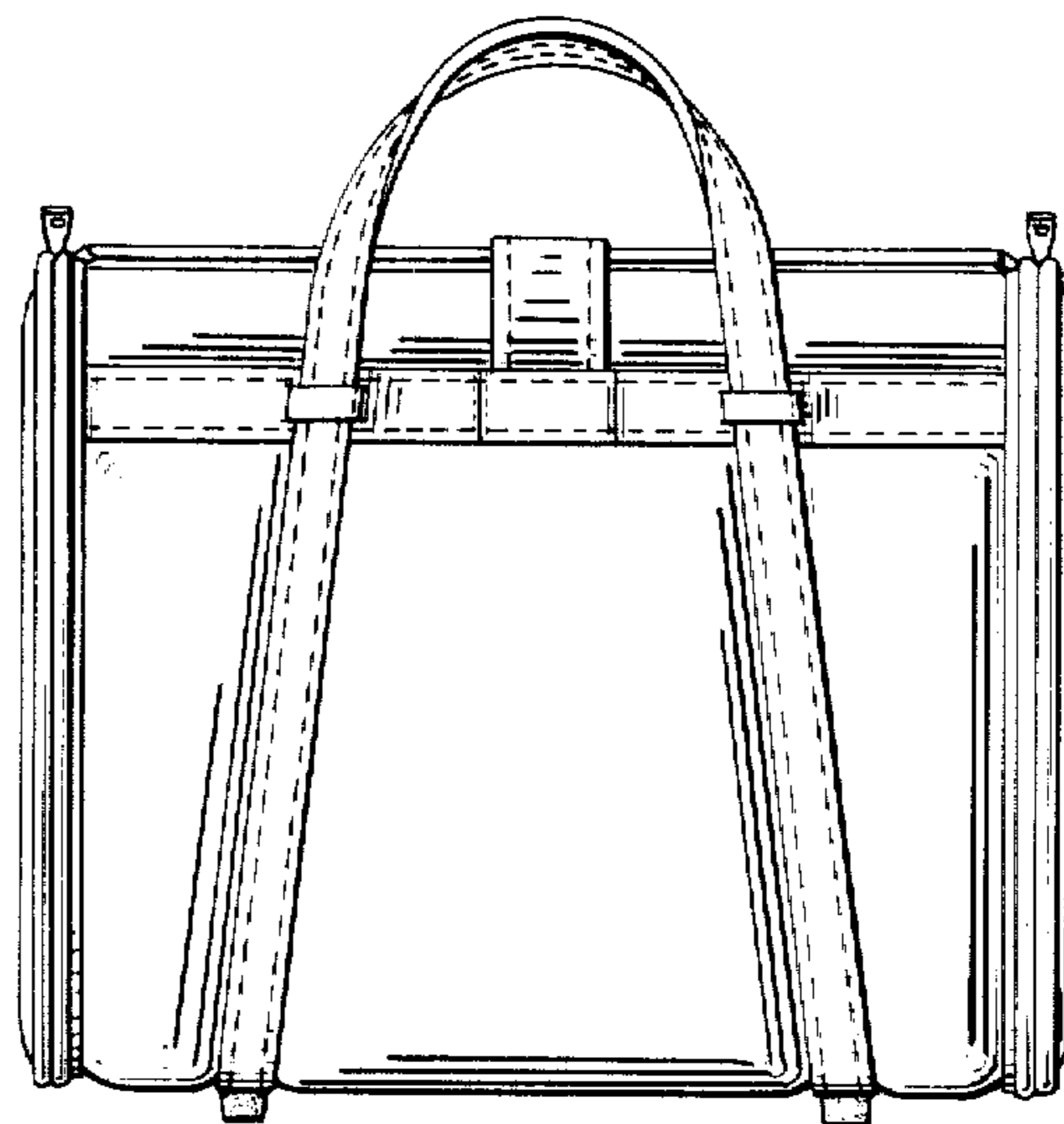


Fig. 8.

