

[54] CONTAINER FOR GAME DARTS OR SIMILAR ARTICLES

[75] Inventor: Ronald A. Kurtz, Englewood, N.J.

[73] Assignee: Kulite, Ridgefield, N.J.

[**] Term: 14 Years

[21] Appl. No.: 540,863

[22] Filed: Jan. 14, 1975

[51] Int. Cl. D3-02

[52] U.S. Cl. D87/1 R

[58] Field of Search D87/1 R, 1 B, 1 C; D34/5 DA; D9/230-240; D19/35; D83/1 U; 206/1.8, 334, 315, 443, 214

[56] References Cited

U.S. PATENT DOCUMENTS

1,835,884	12/1931	Lindsey	206/1.8
2,228,493	1/1941	Will	D87/1 R
2,515,703	7/1950	Dumas	206/1.8

OTHER PUBLICATIONS

Simmons Hardware Co. Cat., 1939, p. 1000, Item No. TBZAV.

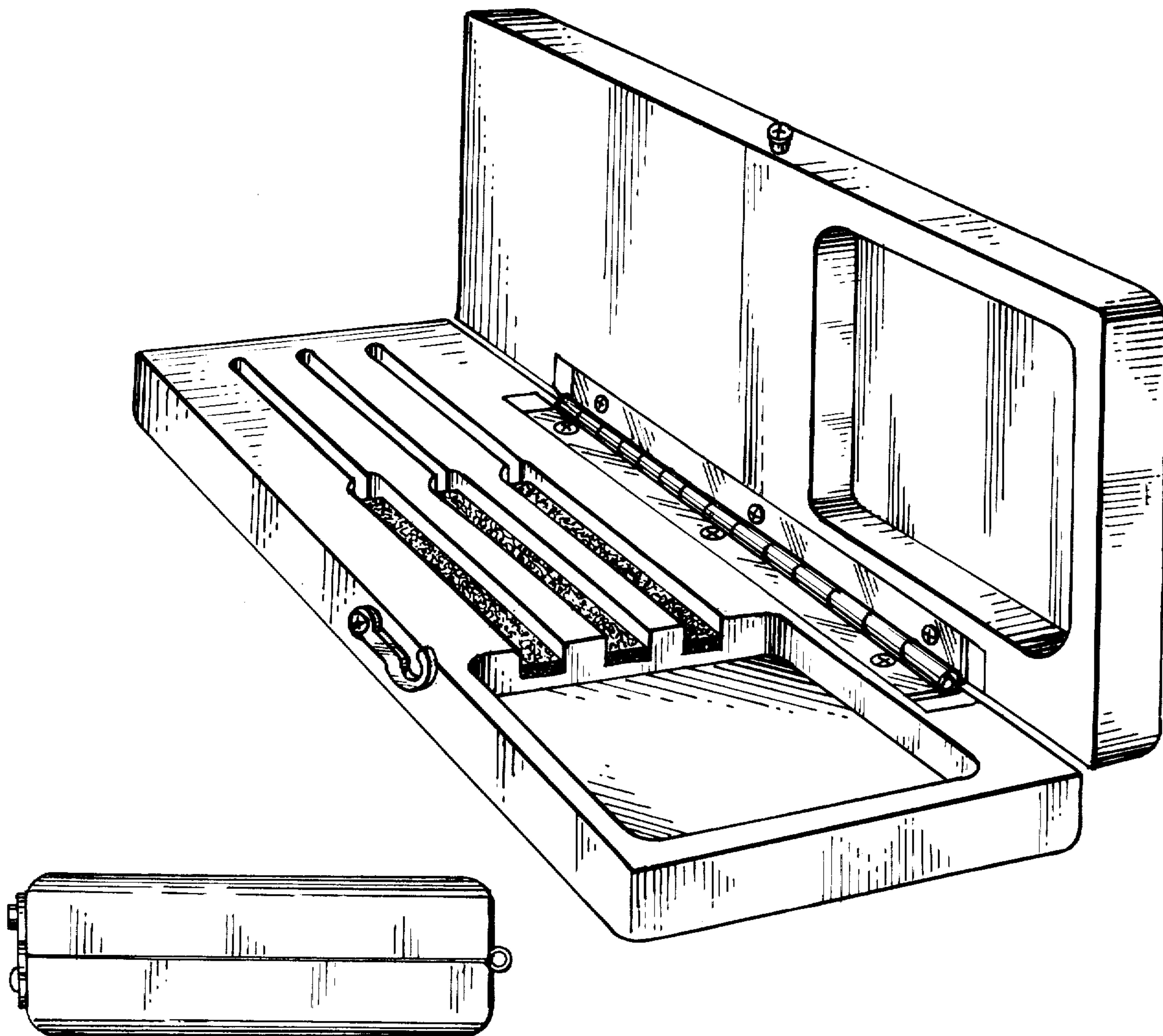
Primary Examiner—Joel Stearman
Assistant Examiner—George P. Word
Attorney, Agent, or Firm—Arthur L. Plevy

[57] CLAIM

The ornamental design for a container for game darts or similar articles, as shown and described.

DESCRIPTION

FIG. 1 is a perspective view of a container for game darts showing my new design;
FIG. 2 is a perspective view thereof in an opened position;
FIG. 3 is a top plan view shown in a closed position;
FIG. 4 is a front elevational view thereof;
FIG. 5 is a rear elevational view; and
FIG. 6 is a right side elevational view.



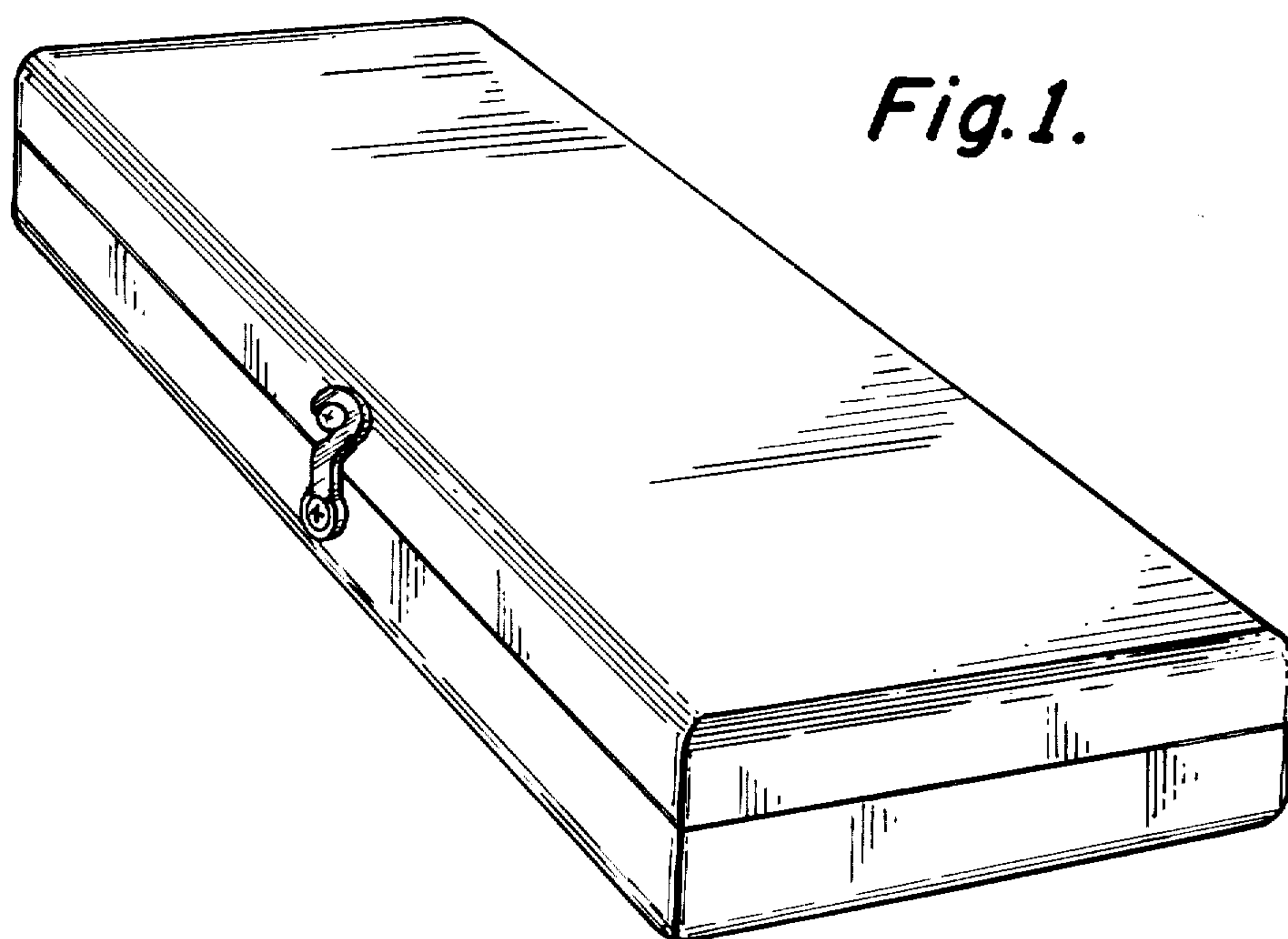


Fig. 1.

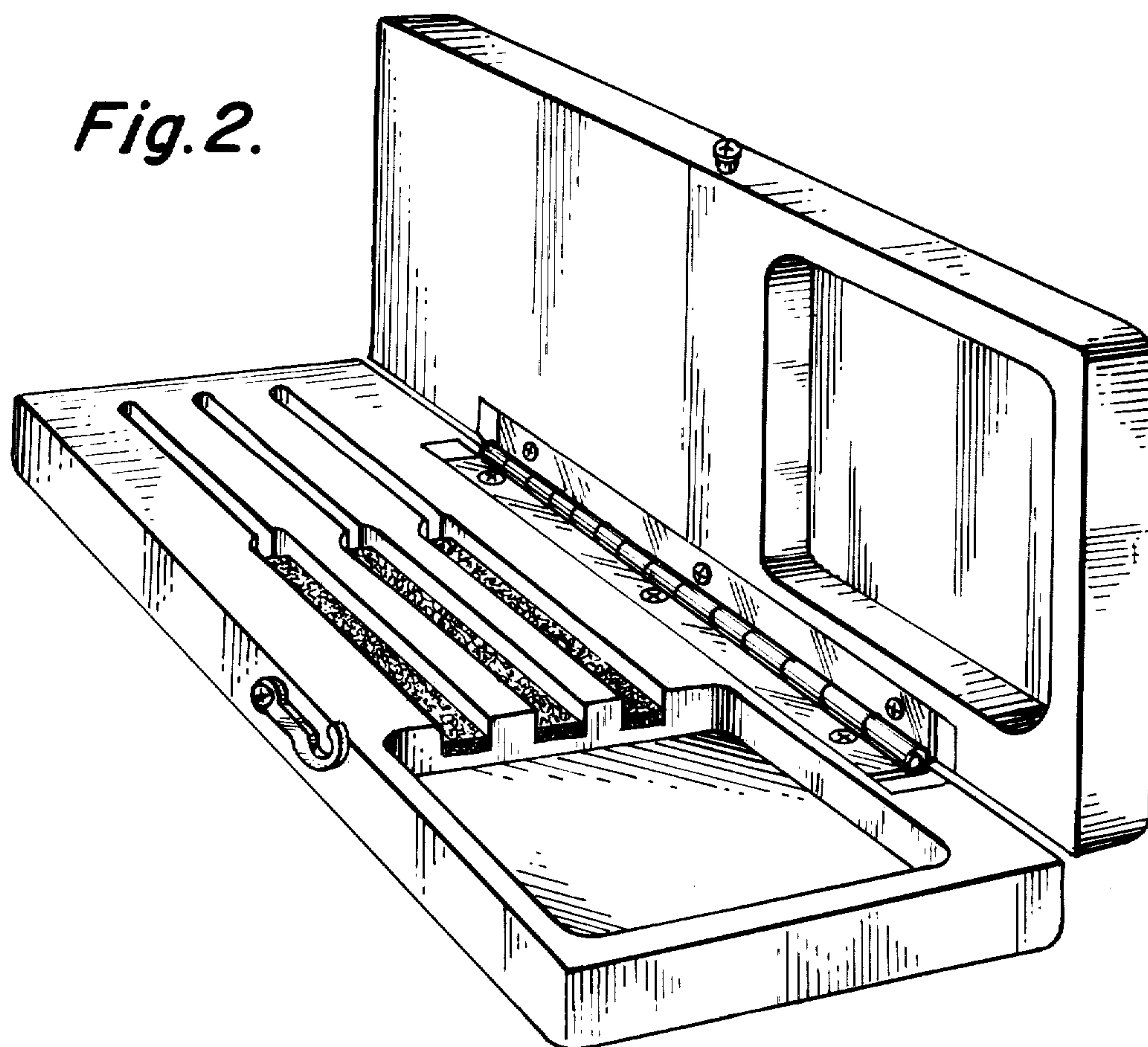


Fig. 2.

Fig. 3.

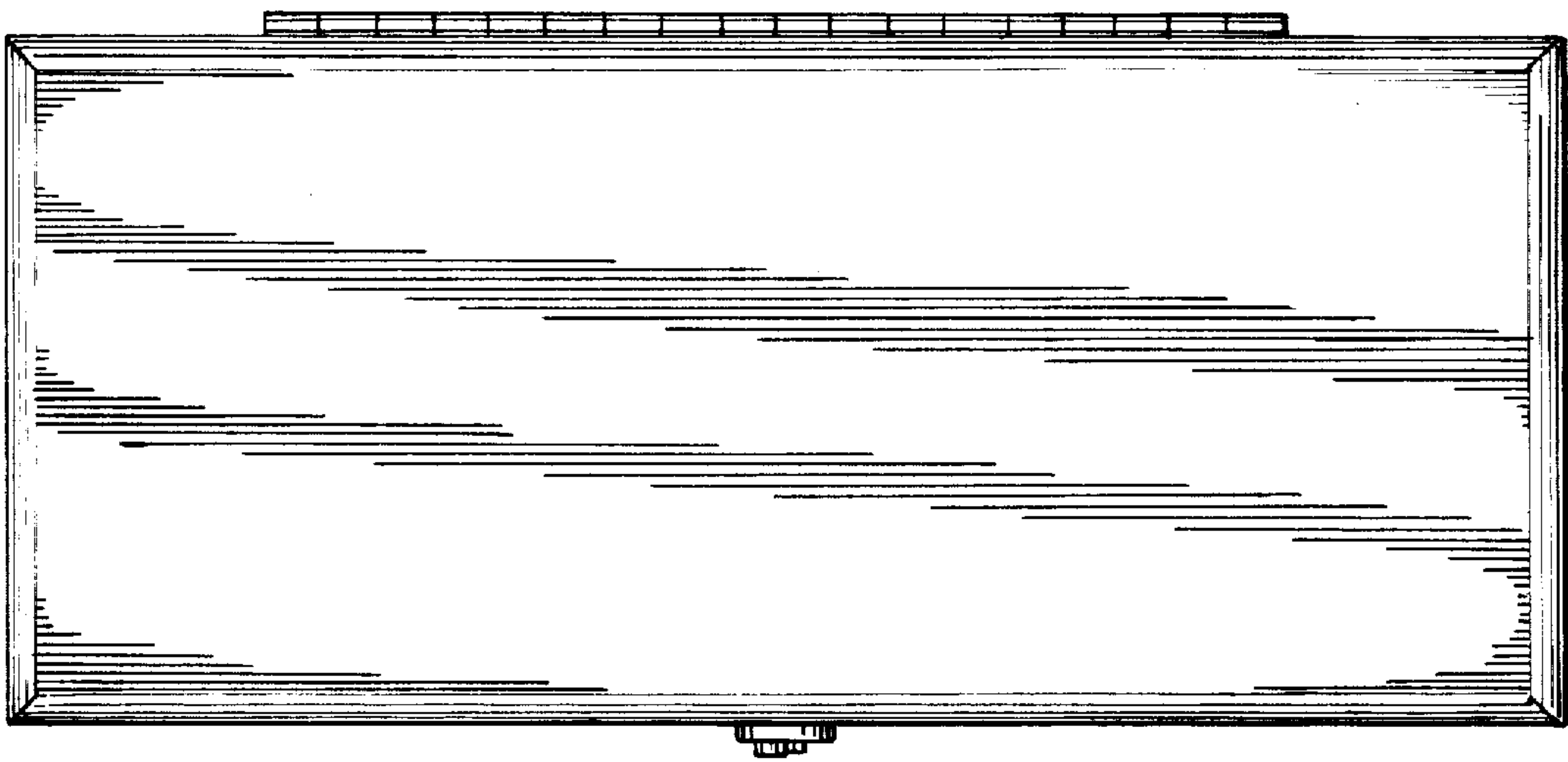


Fig. 4.

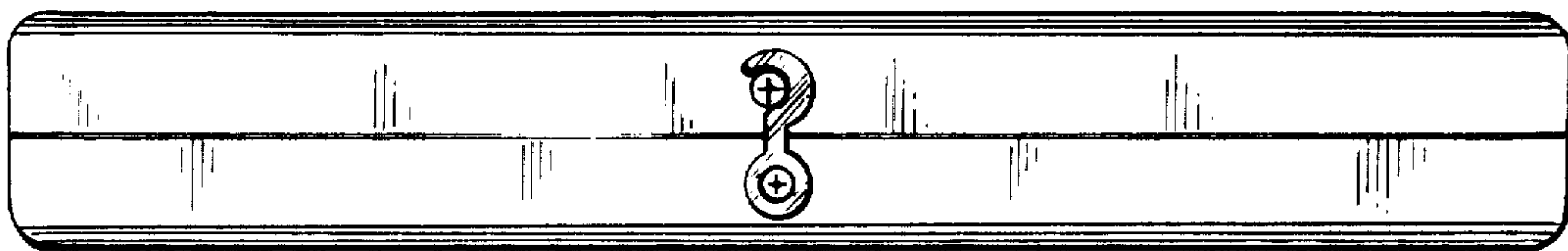


Fig. 5.

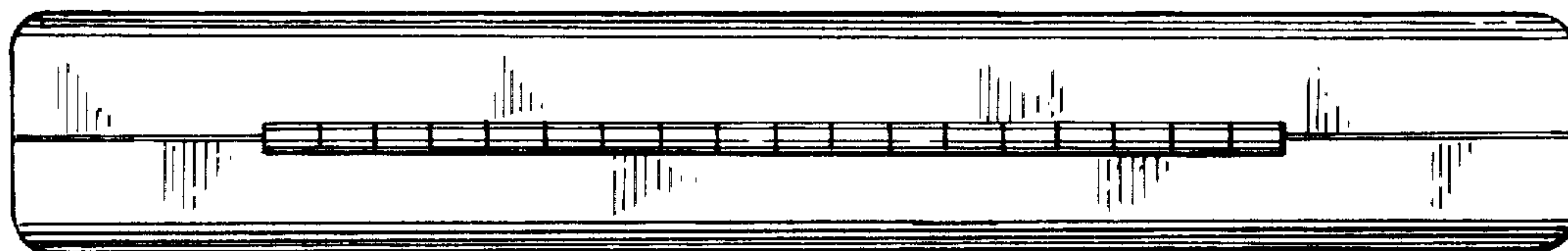


Fig. 6

