

[54] PUMP ADAPTER HOUSING

[76] Inventor: David E. McKesson, 1137 Harrison St., Walkerton, Ind. 46574

[**] Term: 14 Years

[21] Appl. No.: 581,893

[22] Filed: May 29, 1975

[51] Int. Cl. D15-99

[52] U.S. Cl. D15/5

[58] Field of Search D65/1 R, 1 A; D55/1 G, D55/1 H; 74/606

[56] References Cited

U.S. PATENT DOCUMENTS

D. 54,413	2/1920	Hazard	D65/1 R
D. 188,564	8/1960	Stevens et al.	D55/1 G
D. 237,900	12/1975	Stroup	D55/1 G

Primary Examiner—James R. Largen
Attorney, Agent, or Firm—Marmaduke A. Hobbs

[57] CLAIM

The ornamental design for a pump adapter housing, substantially as shown and described.

DESCRIPTION

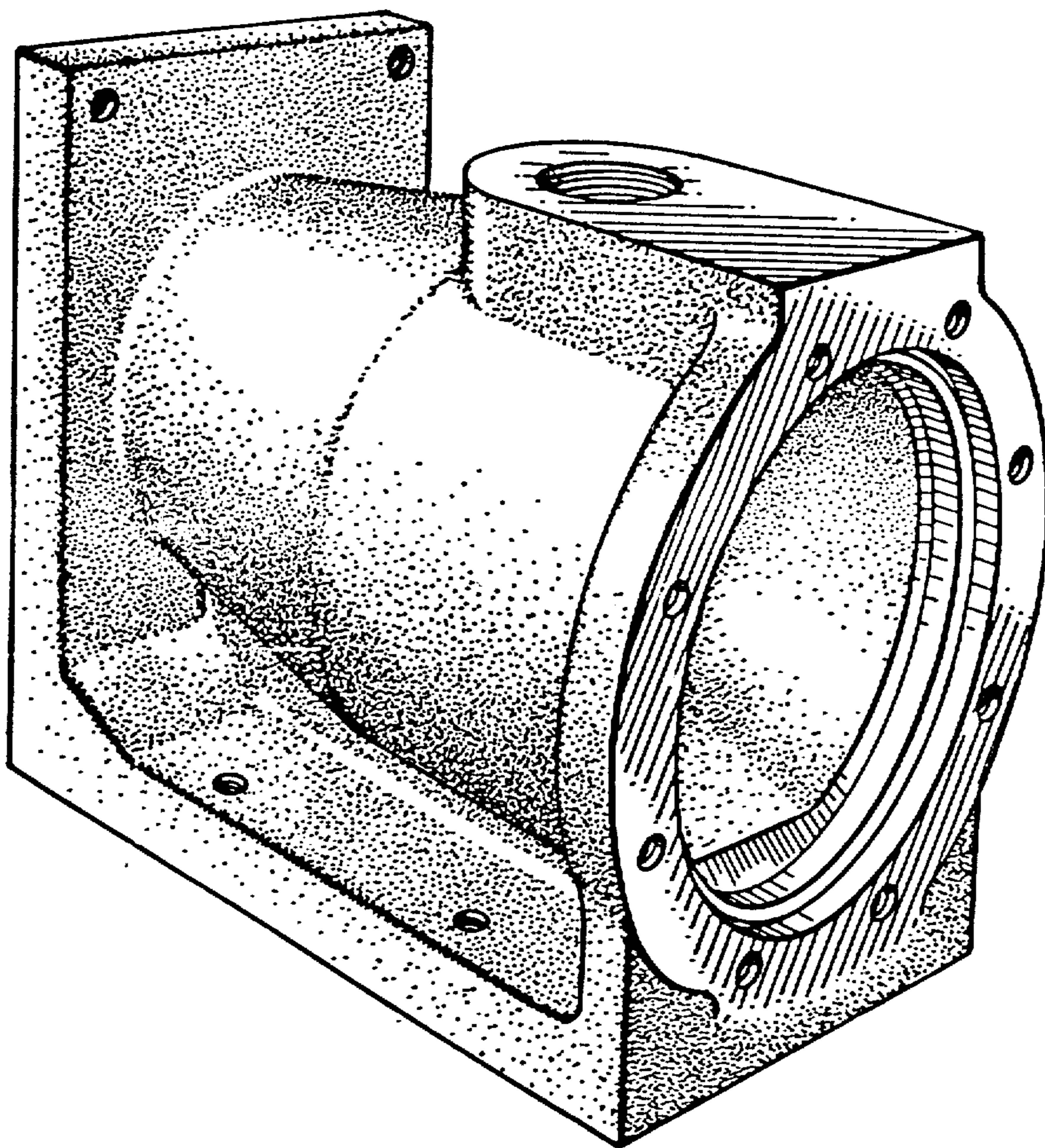
FIG. 1 is a perspective view of a pump adapter housing showing my new design;

FIG. 2 is an elevational view taken from the end shown in FIG. 1;

FIG. 3 is a top plan view thereof, the bottom being plain and unornamented;

FIG. 4 is an elevational view taken from the side opposite that shown in FIG. 1; and

FIG. 5 is an elevational view taken from the end opposite that shown in FIG. 2.



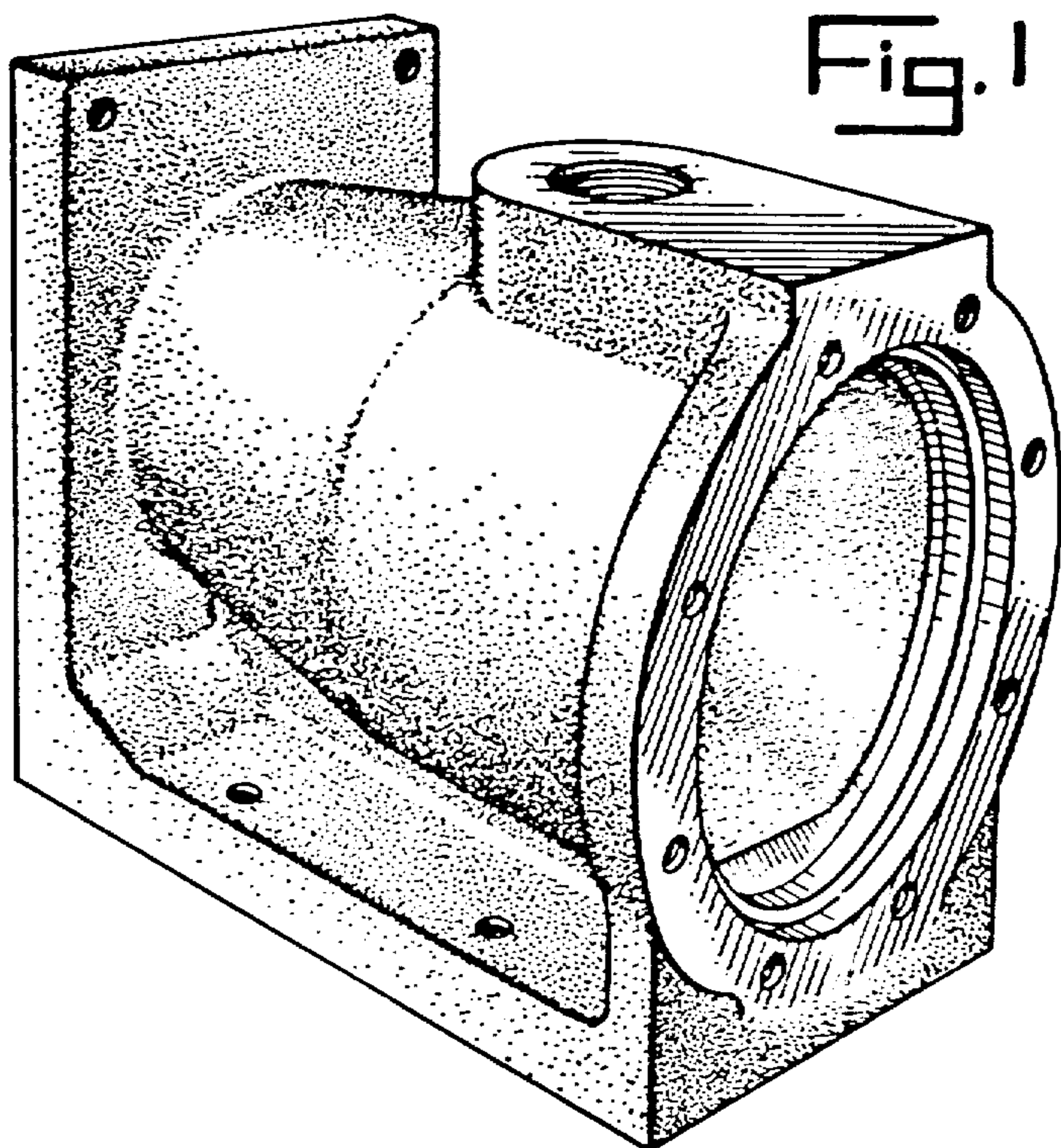


Fig. 2

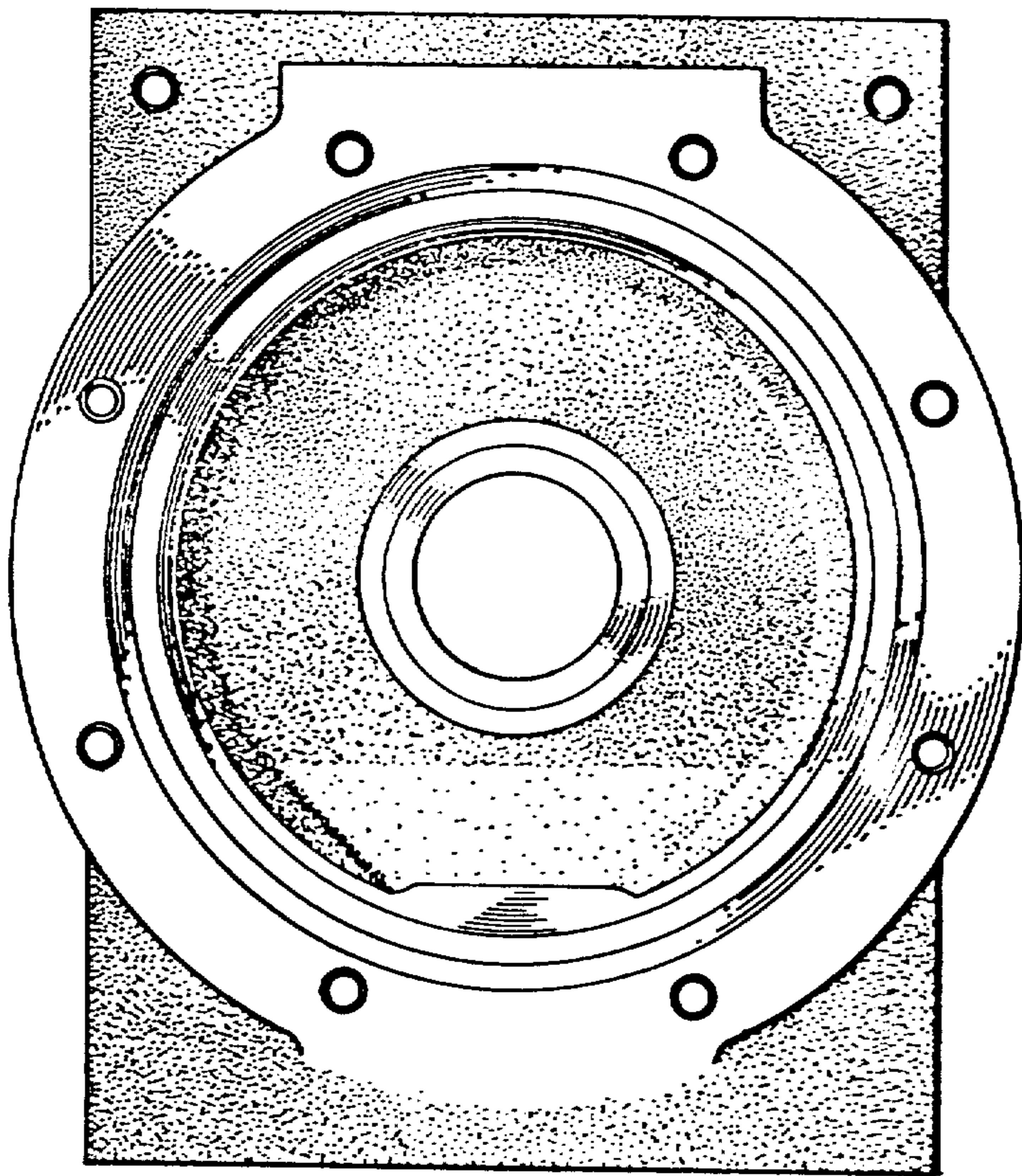


Fig. 3

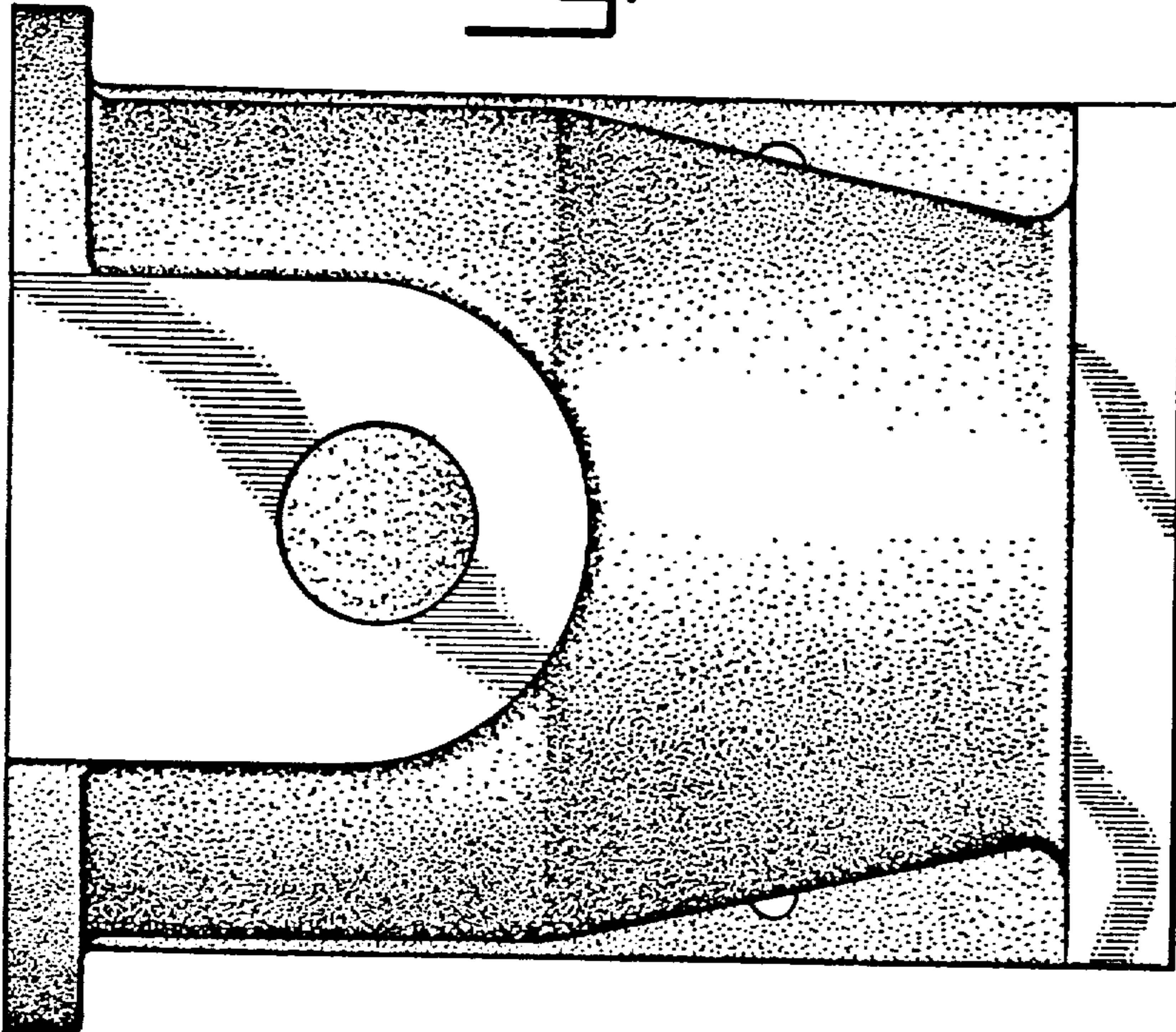


Fig. 4

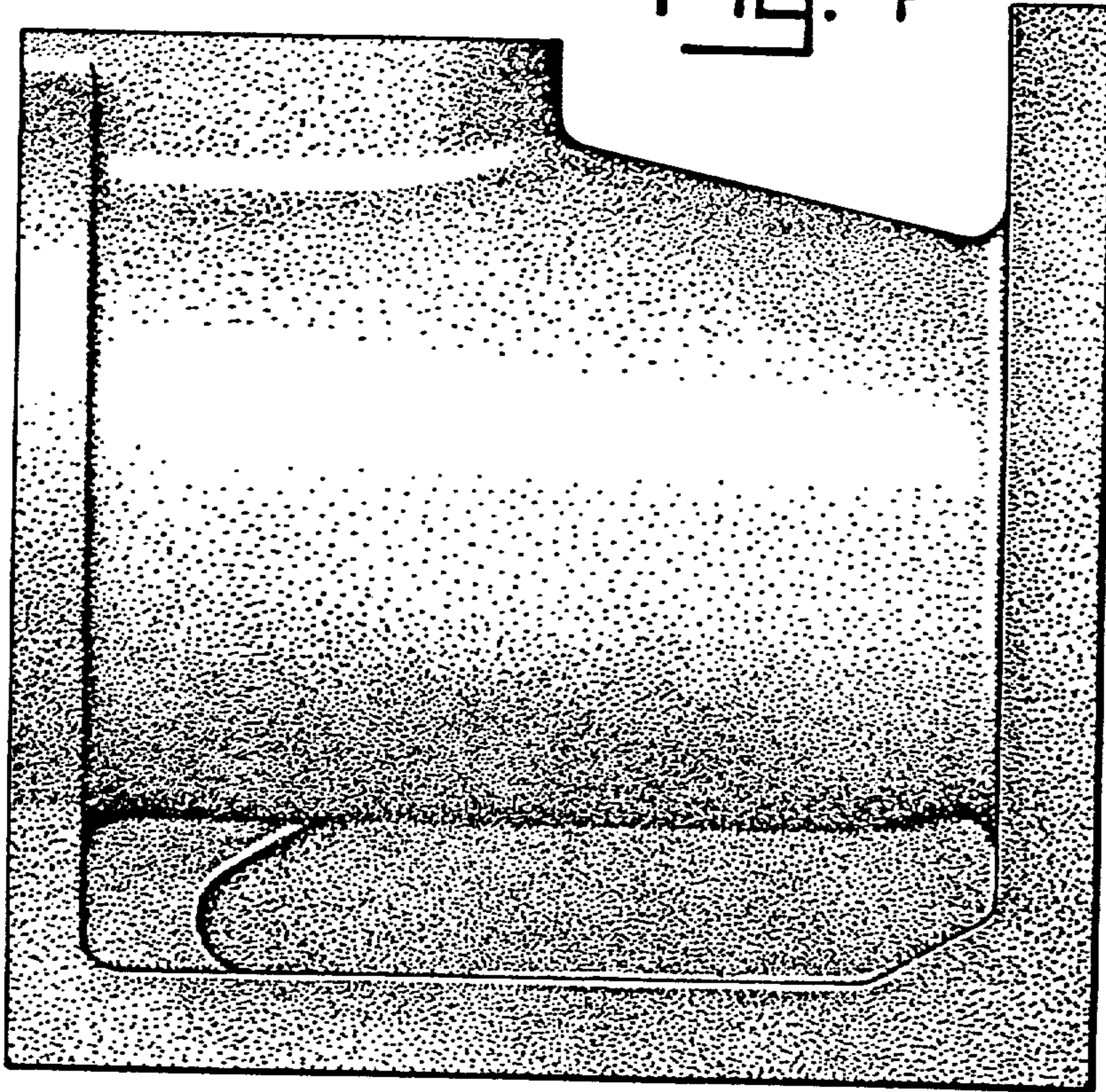


Fig. 5

