

[54] CASING AND SUPPORT CONSTRUCTION FOR A HAMMER MILL

[75] Inventor: Harry D. Schutte, Grand Island, N.Y.

[73] Assignee: Schutte Pulverizer Co., Inc., Buffalo, N.Y.

[**] Term: 14 Years

[21] Appl. No.: 613,228

[22] Filed: Sept. 15, 1975

[51] Int. Cl. D15-09

[52] U.S. Cl. D15/123

[58] Field of Search D55/1 B; 241/46.08

[56] References Cited

U.S. PATENT DOCUMENTS

2,656,119 10/1953 Shelton, Jr. et al. 241/46.08

Primary Examiner—Alan P. Douglas
Attorney, Agent, or Firm—Edwin T. Bean

[57] CLAIM

The ornamental design for a casing and support construction for a hammer mill, as shown and described.

DESCRIPTION

FIG. 1 is a front perspective view of a casing and support construction for a hammer mill showing my new design with portions of a motor and its support shown in broken lines for illustrative purposes only; FIG. 2 is a top plan view thereof; FIG. 3 is a front elevational view thereof; FIG. 4 is a rear elevational view thereof; and FIGS. 5 and 6 are opposite side elevational views thereof.

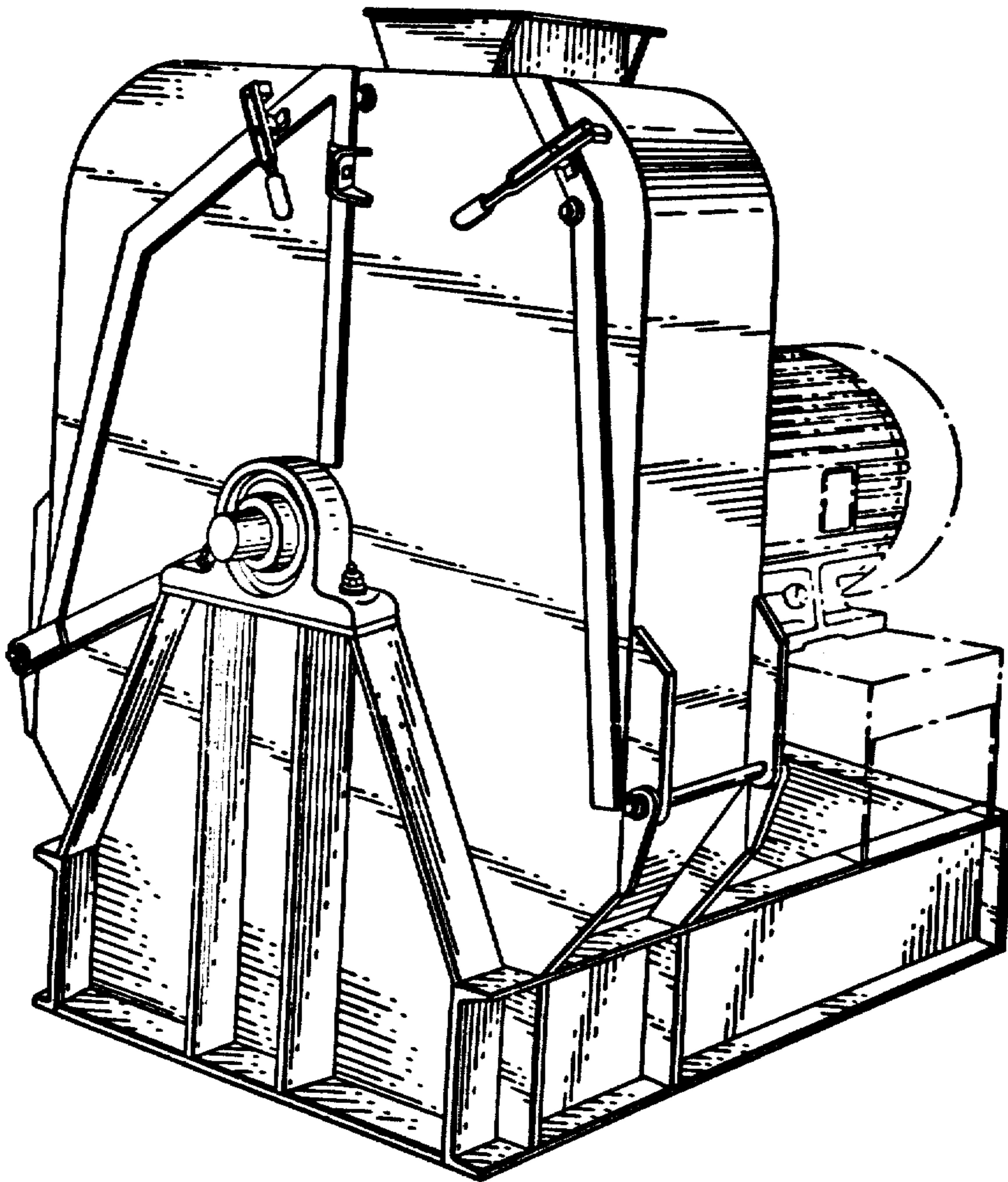


Fig. 1.

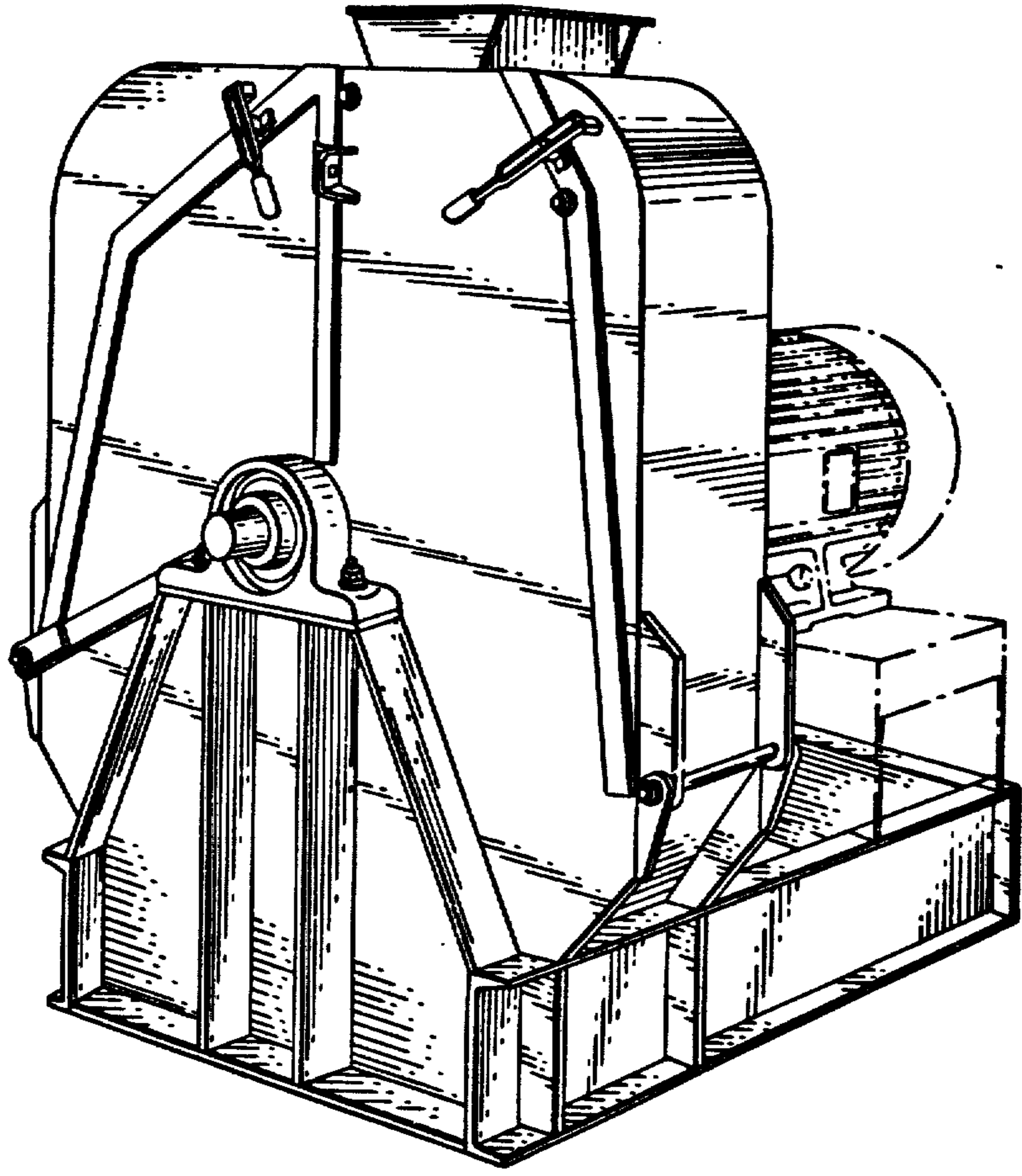


Fig. 2.

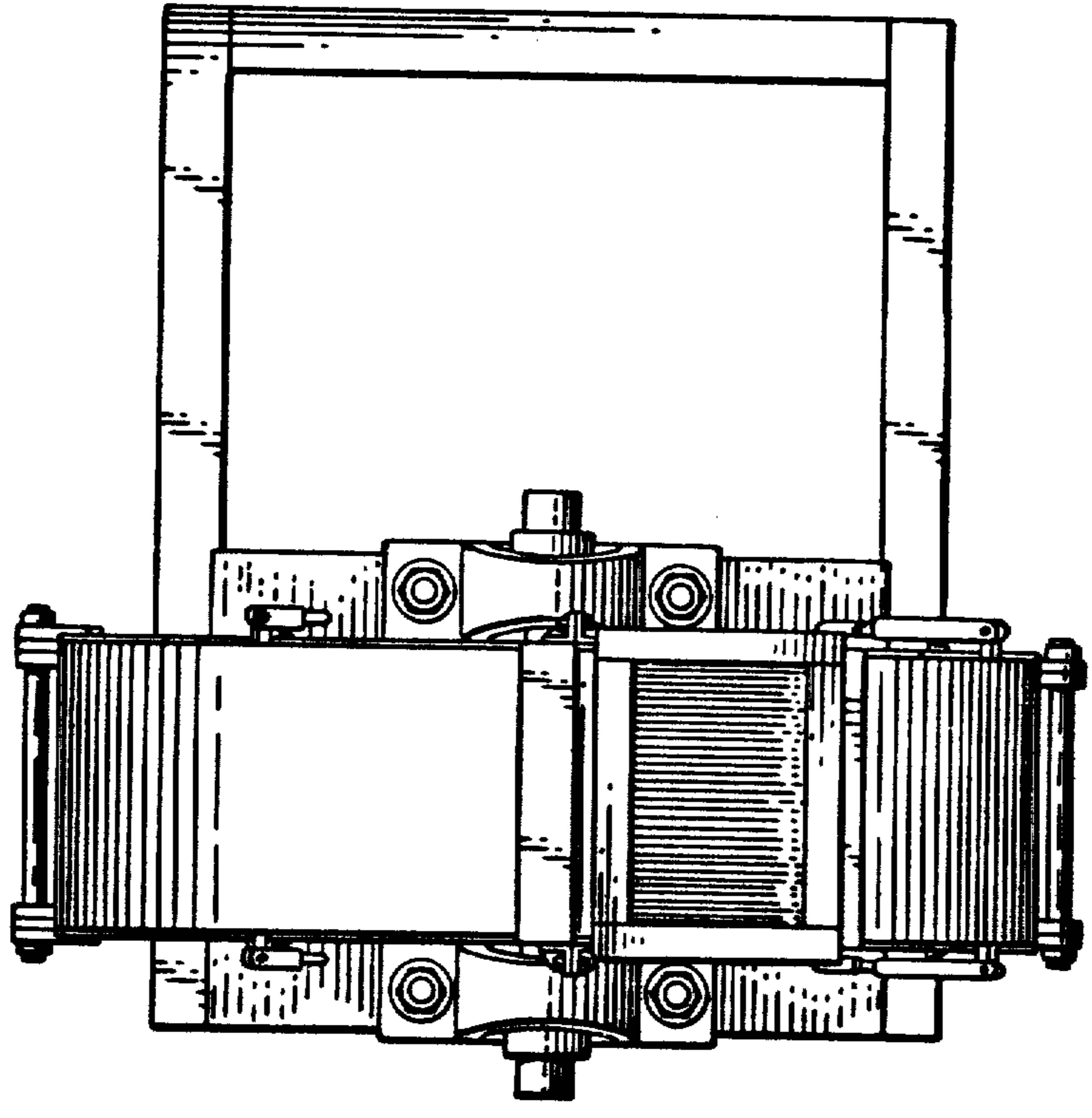


Fig. 3.

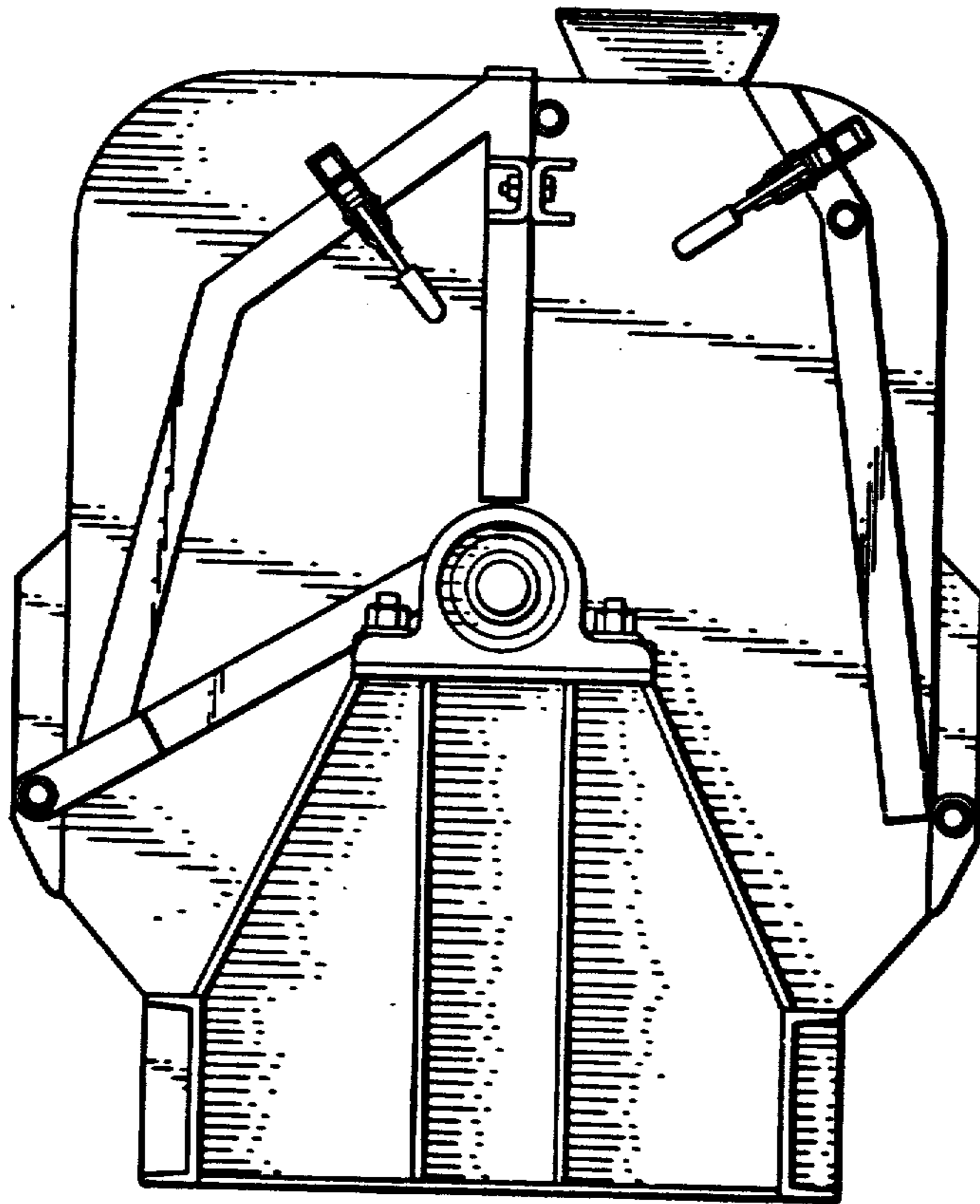
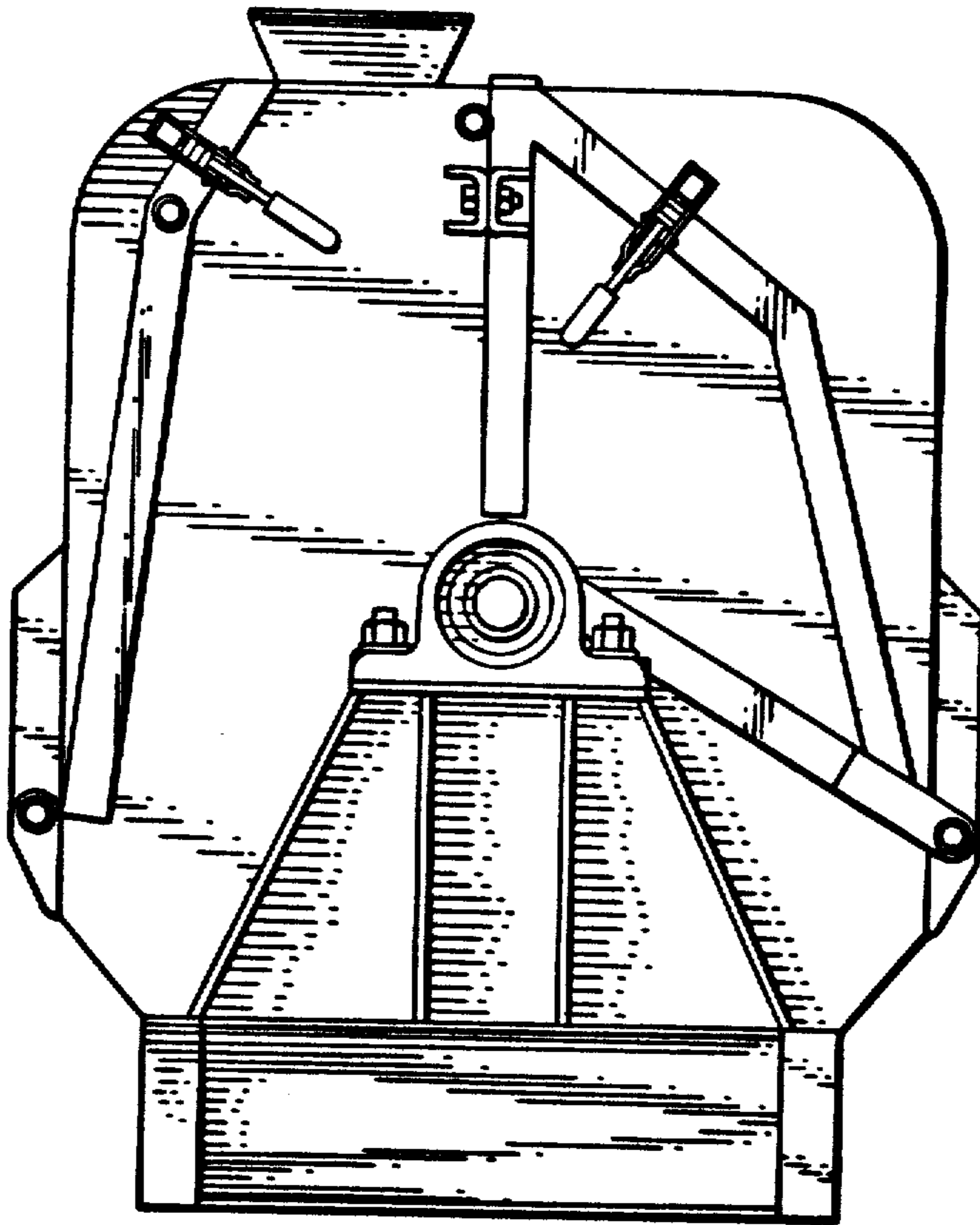


Fig. 4.



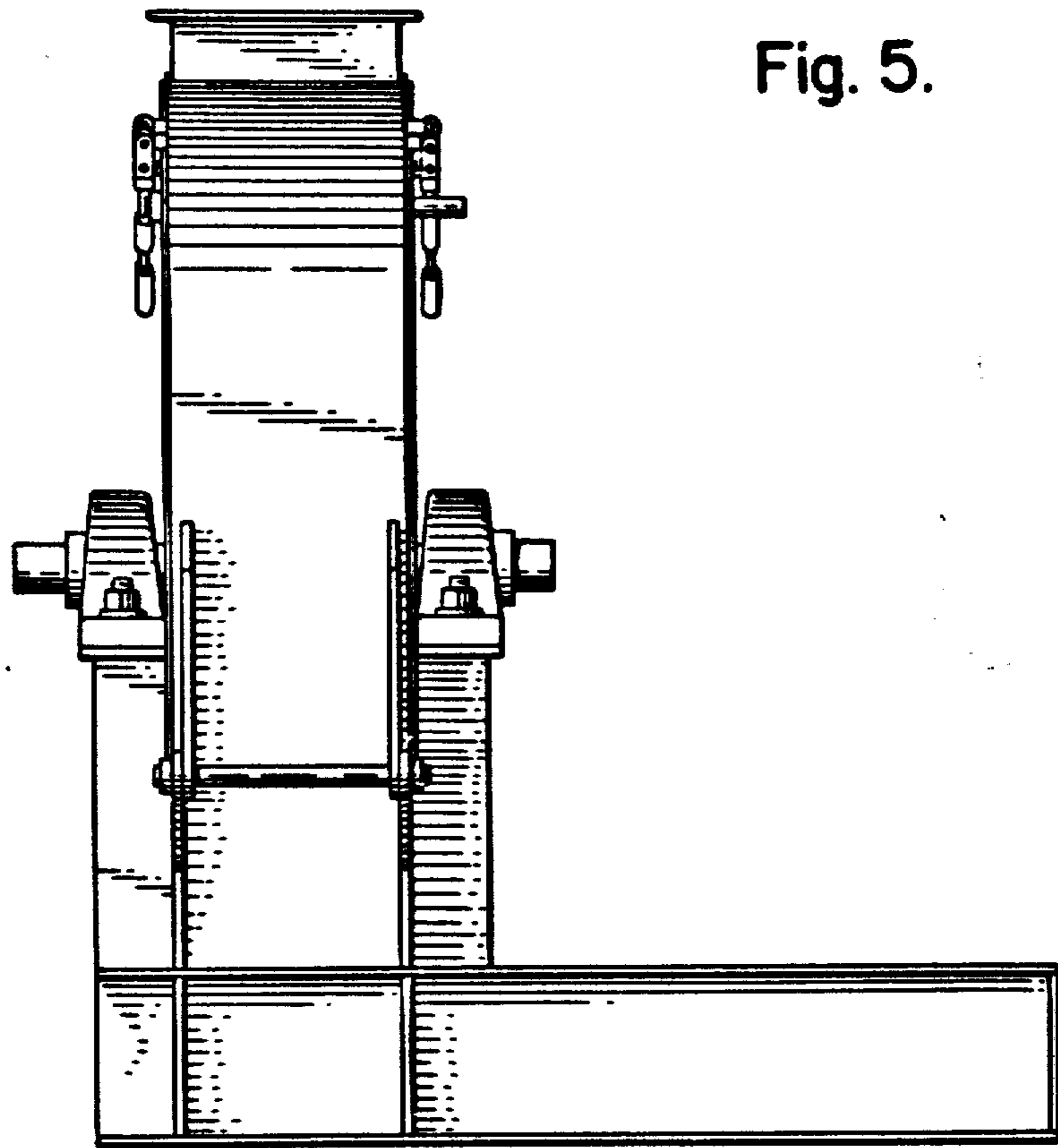


Fig. 6.

