

[54] BACK-SUPPORTED UNDERWATER PROPULSION DEVICE

[75] Inventor: Andrew R. Henning, Richland, Mich.

[73] Assignee: Shakespeare Company, Columbia, S.C.

[\*\*] Term: 14 Years

[21] Appl. No.: 615,565

[22] Filed: Sept. 22, 1975

[51] Int. Cl. .... D21-02

[52] U.S. Cl. .... D34/41

[58] Field of Search ..... D12/65; D34/43, 42, D34/41

[56]

References Cited

U.S. PATENT DOCUMENTS

3,329,118 7/1967 Strader ..... 34/43 UX  
D. 205,643 8/1966 Strader ..... D34/41

Primary Examiner—Alan P. Douglas  
Attorney, Agent, or Firm—E. R. Hamilton

[57]

CLAIM

The ornamental design for a back-supported underwater propulsion device, as shown and described.

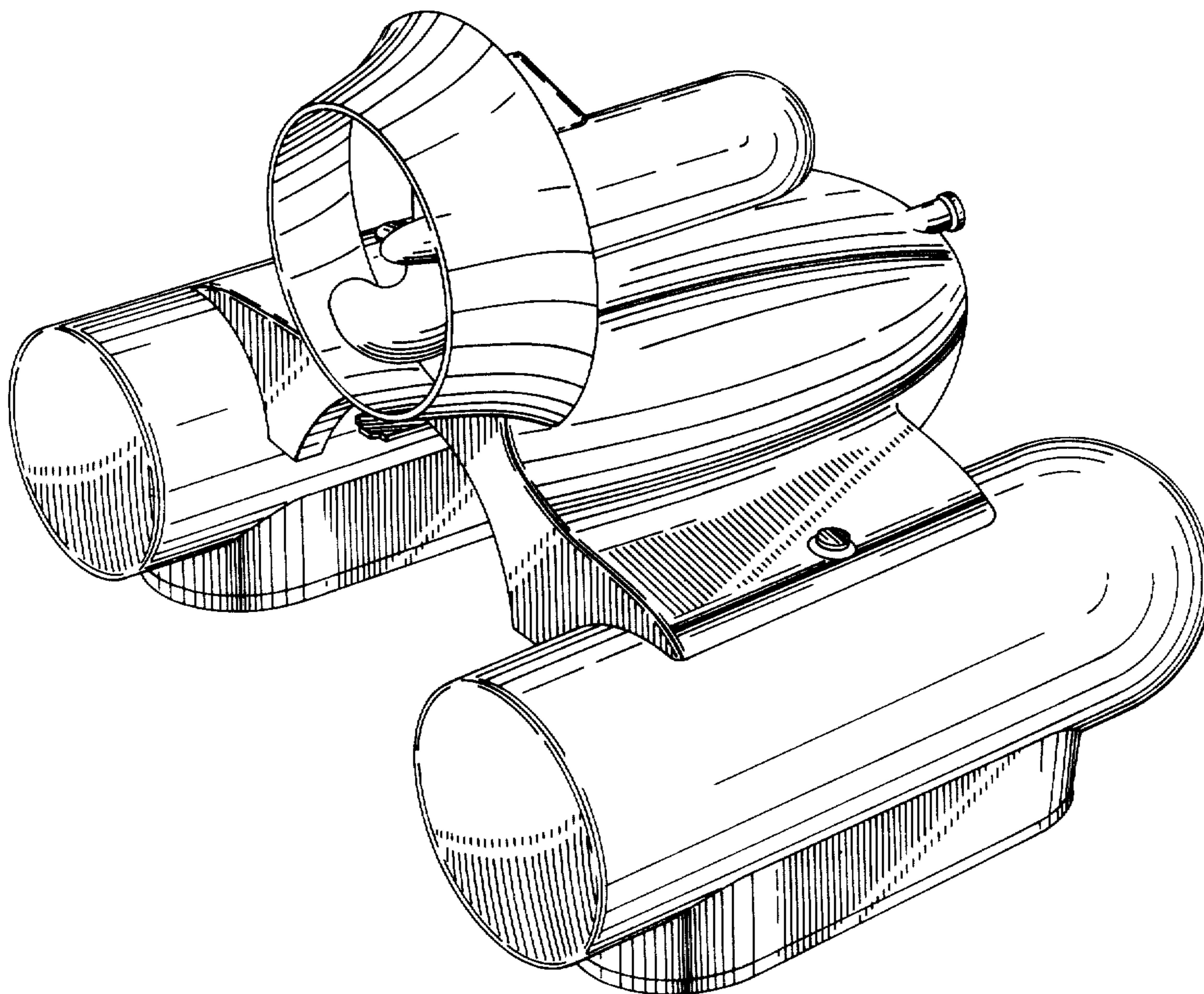
DESCRIPTION

FIG. 1 is a rear perspective view of a back-supported underwater propulsion device embodying my new design.

FIG. 2 is a side elevational view of the remote side as viewed in FIG. 1.

FIG. 3 is a front elevational view thereof.

FIG. 4 is a bottom plan view thereof.



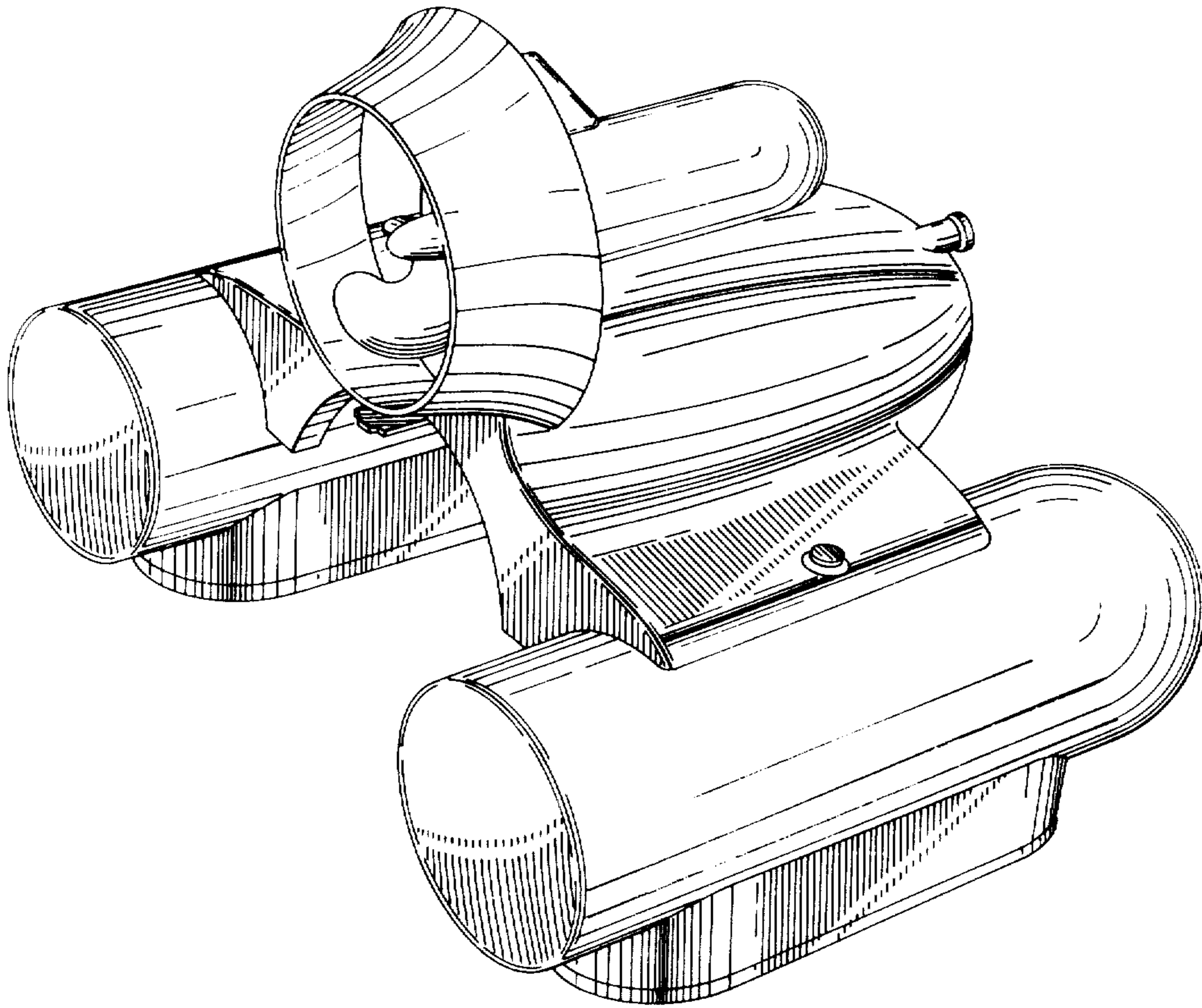


FIG. 1

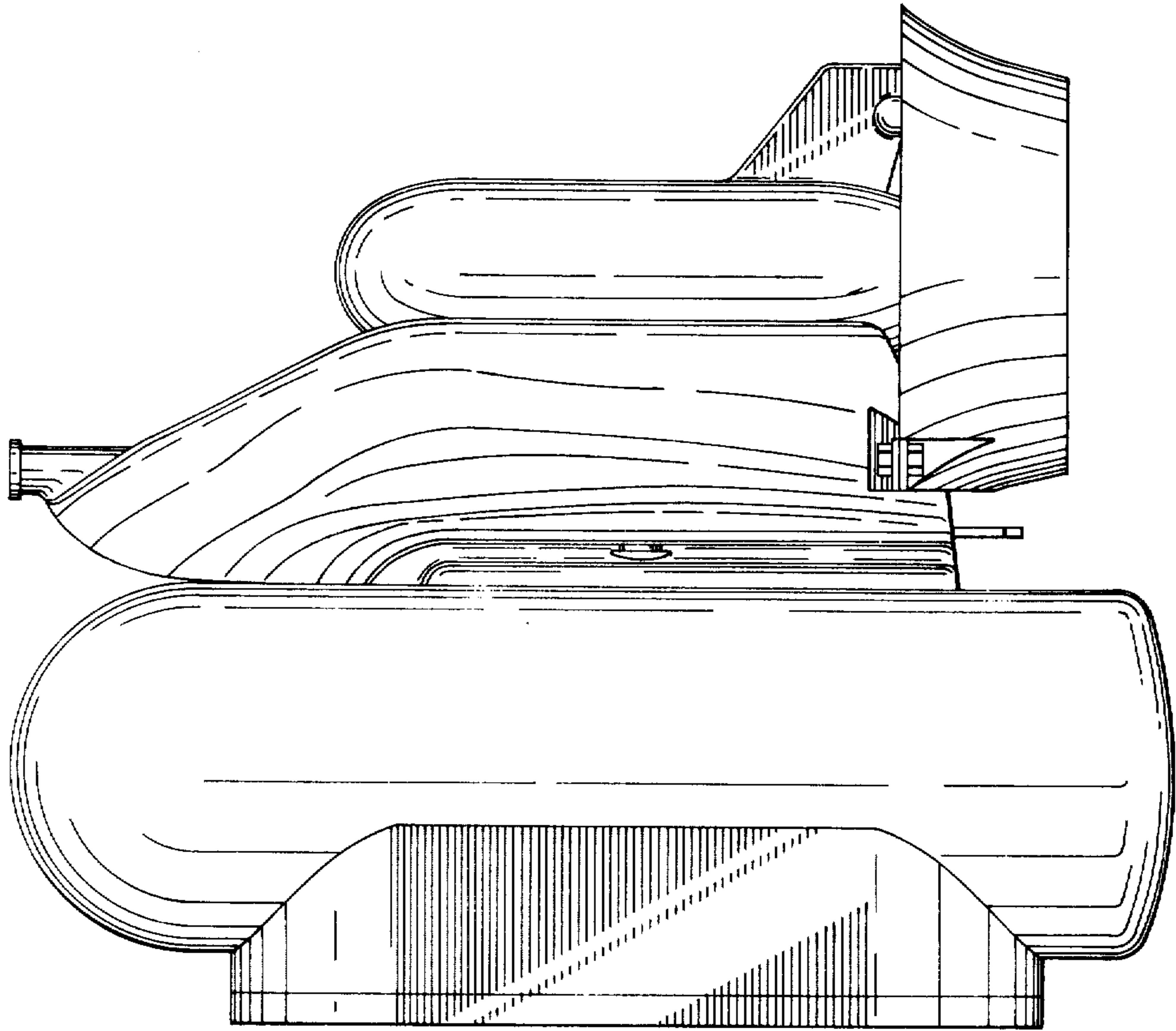


FIG. 2

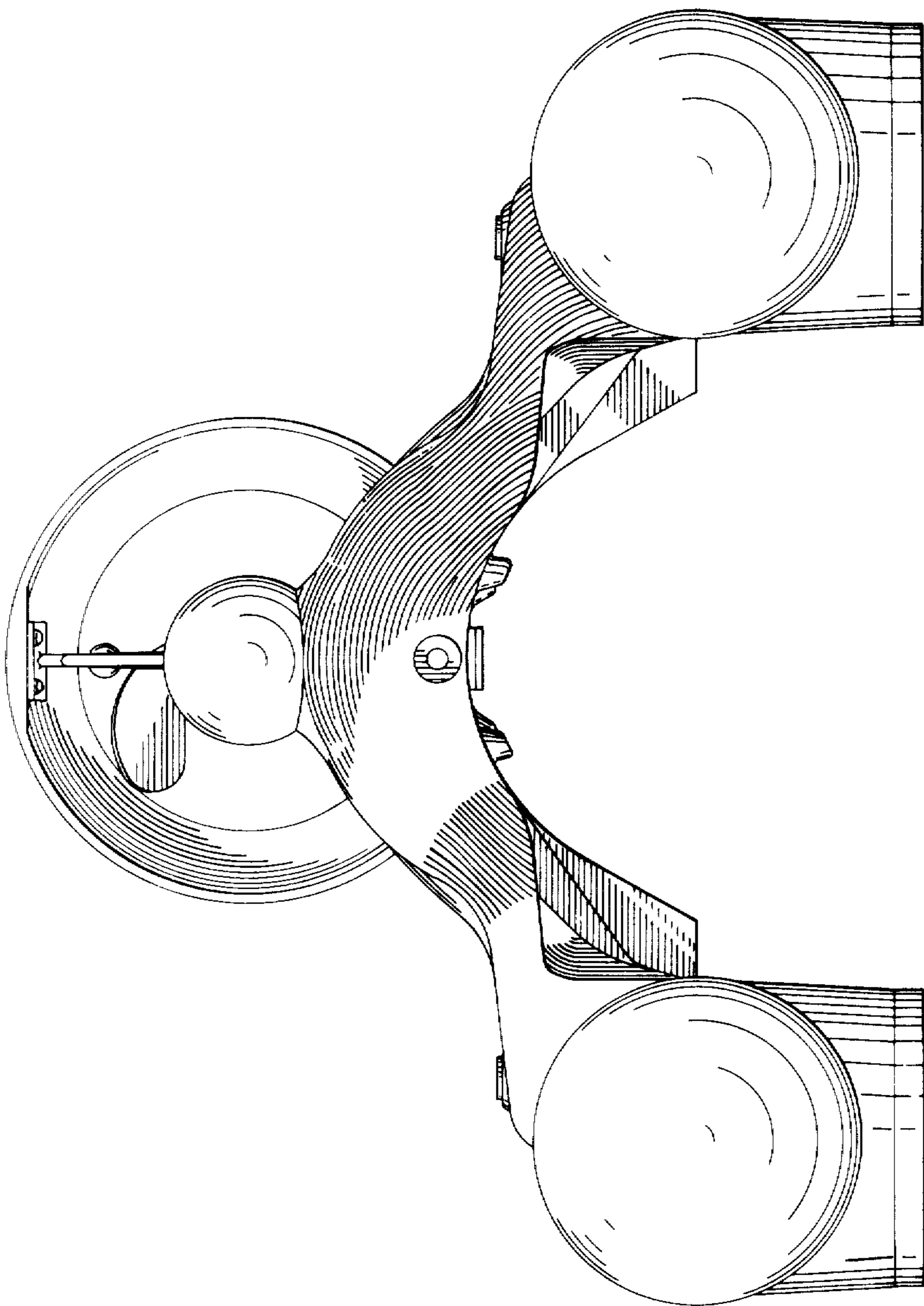


FIG. 3



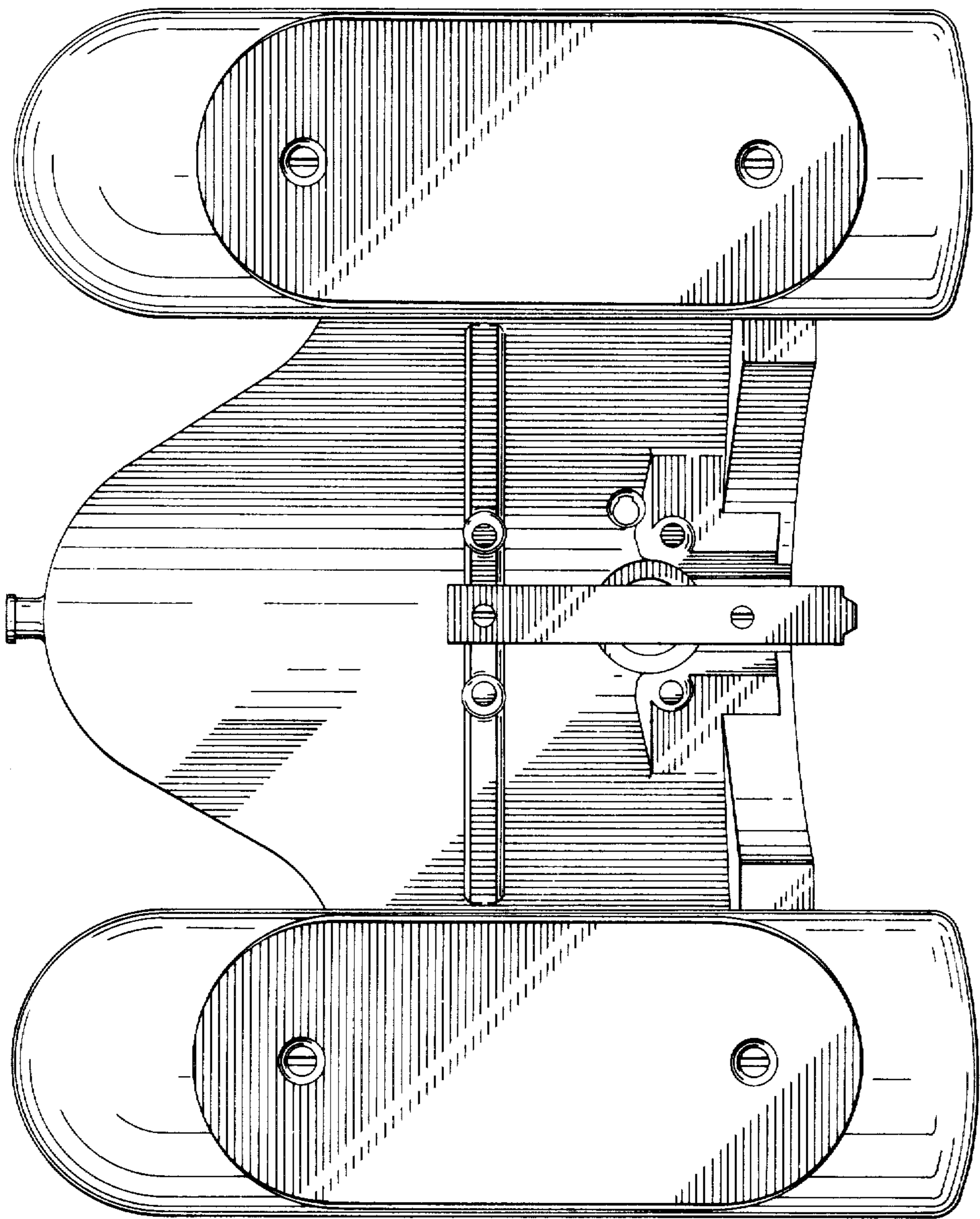


FIG. 4