

[54] **COMBINED INCENSE HOLDER AND ASH TRAY**

[76] Inventor: **Nanoo Patel**, 1217 S. Carson Ave., Los Angeles, Calif. 90019

[\*\*] Term: **14 Years**

[21] Appl. No.: **598,975**

[22] Filed: **July 23, 1975**

[51] Int. Cl. .... **D27-03**

[52] U.S. Cl. .... **D27/15**

[58] Field of Search ..... D27/8, 9, 15, 25, 26; D23/78; 21/116; 131/170 R, 170 A, 231, 235 R, 235 ST, 236, 238, 239, 256

[56] **References Cited**

**U.S. PATENT DOCUMENTS**

1,383,570 7/1921 Schnell ..... 206/73  
D. 190,611 6/1961 Lindley ..... D27/8

D. 227,614 7/1973 Allen ..... D27/15  
D. 235,345 6/1975 Fields ..... D23/78

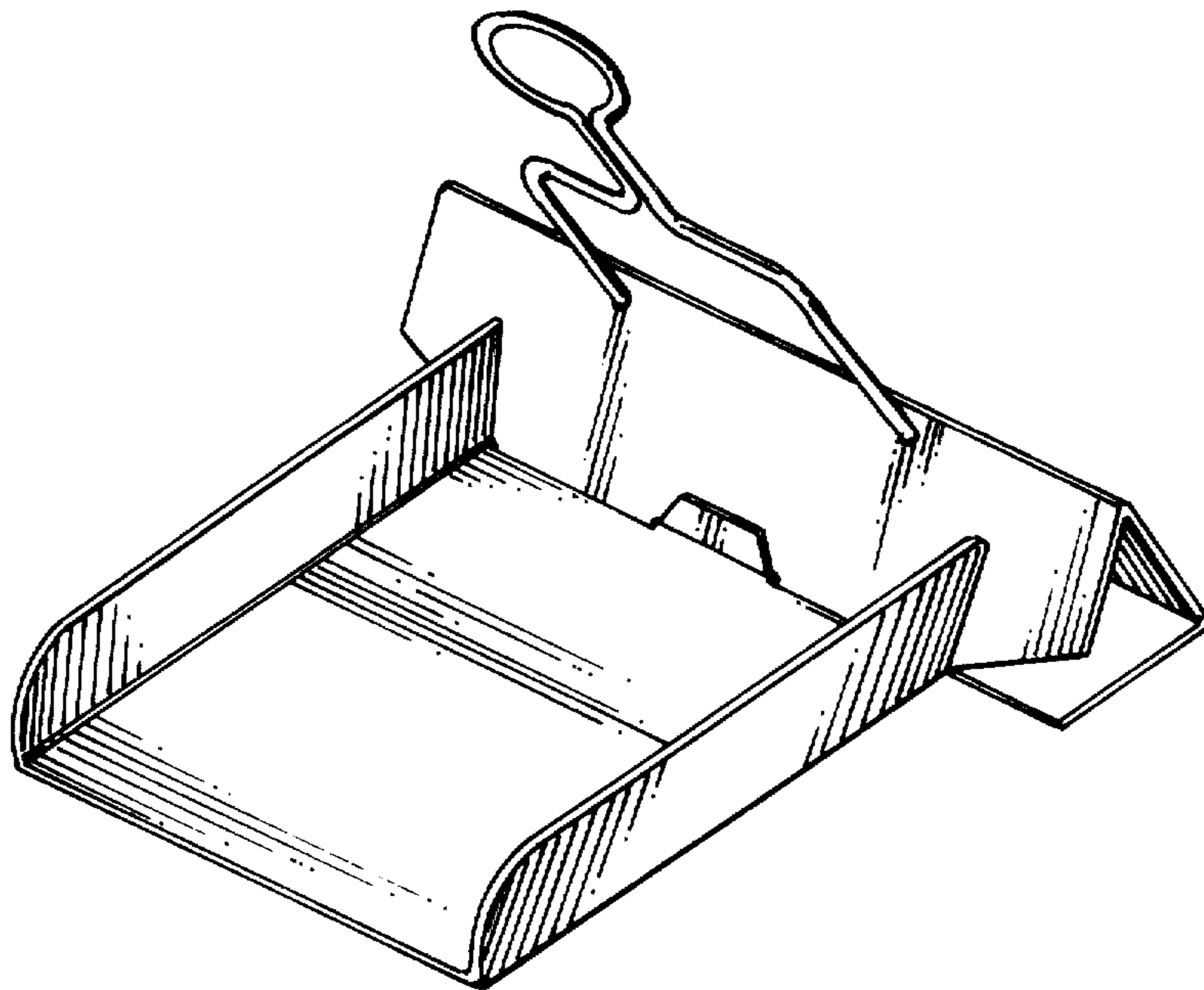
*Primary Examiner*—Joel Stearman  
*Assistant Examiner*—Louis S. Zarfes  
*Attorney, Agent, or Firm*—Donald Diamond

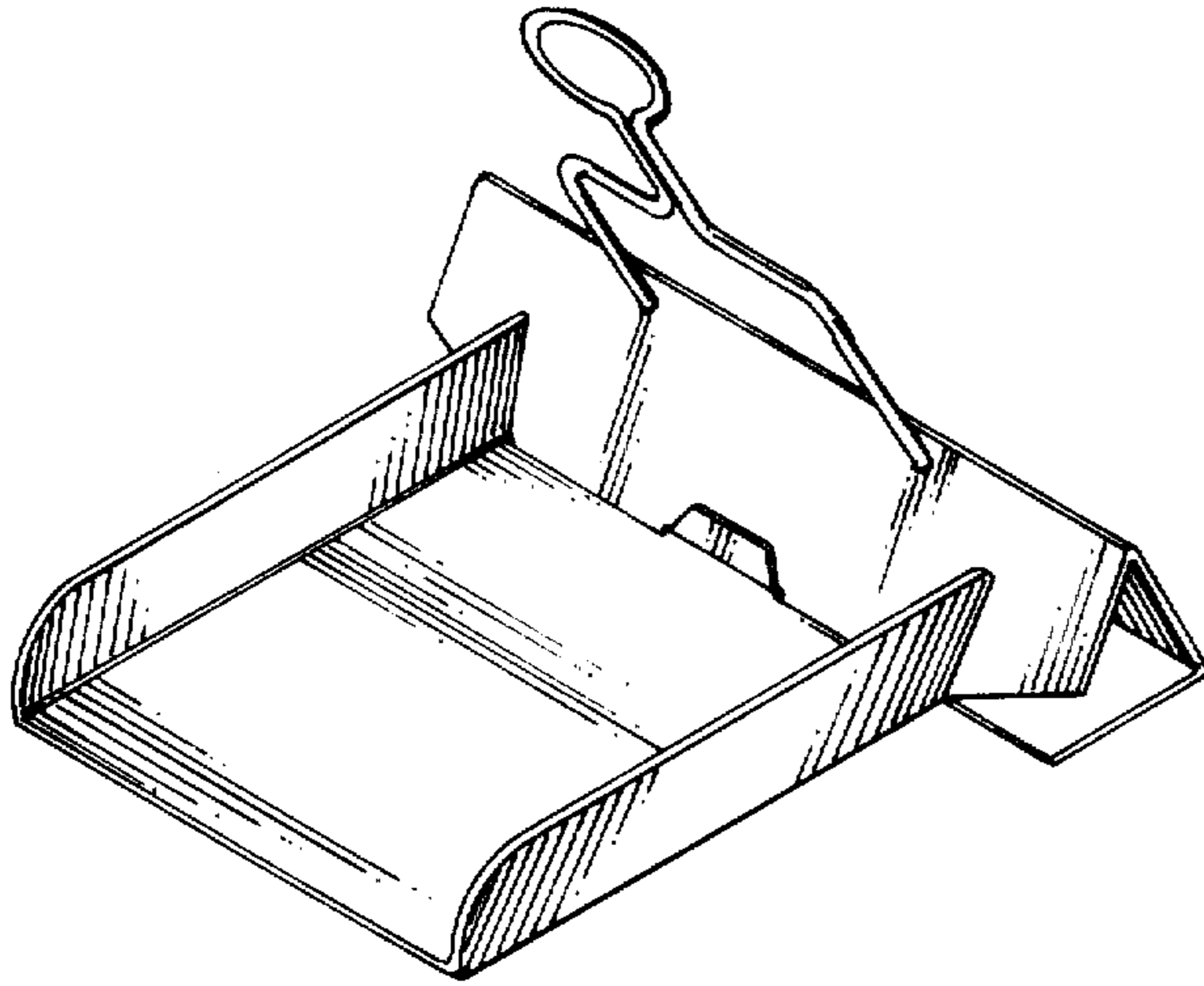
[57] **CLAIM**

The ornamental design for a combined incense holder and ash tray, substantially as shown.

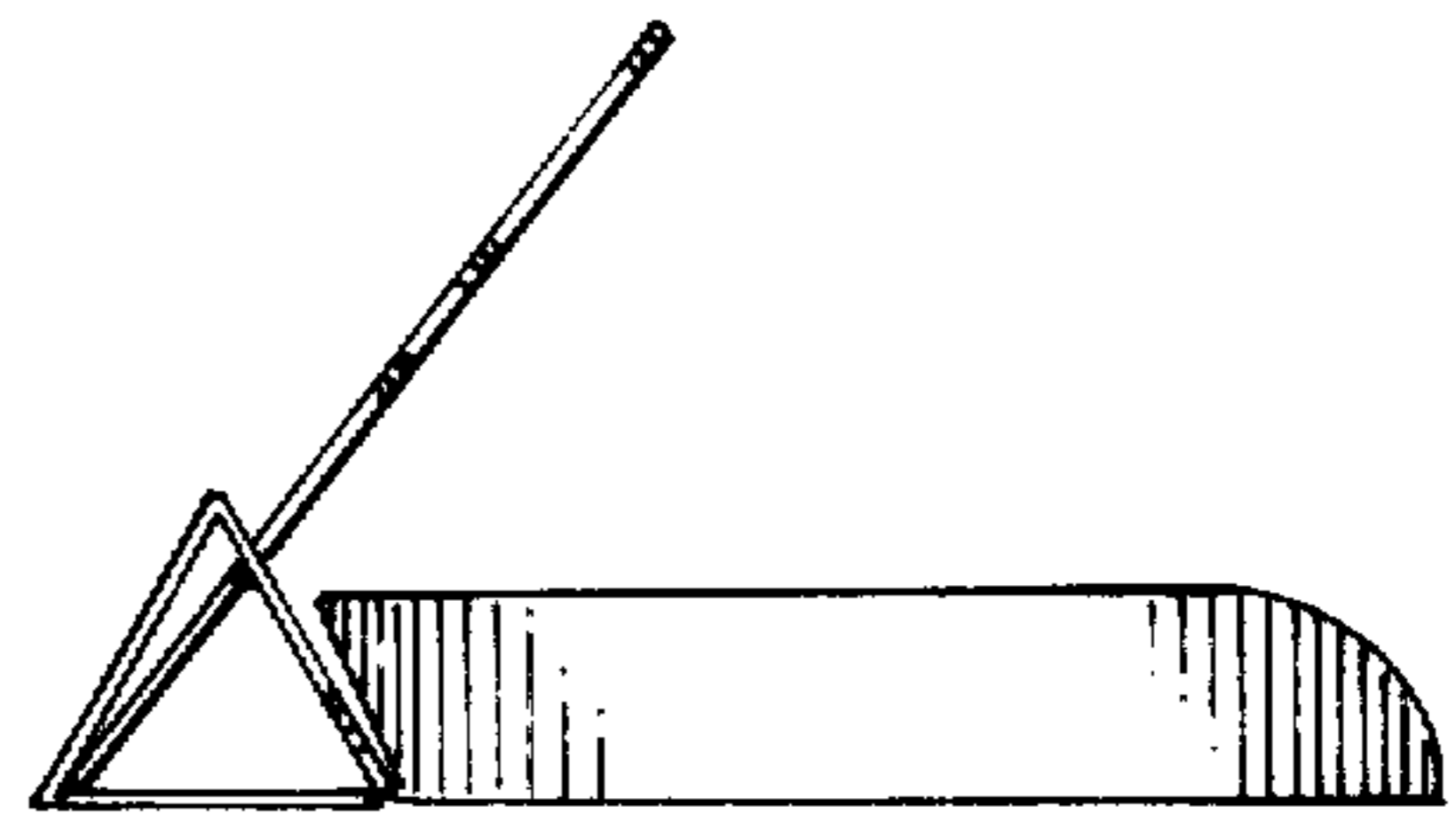
**DESCRIPTION**

FIG. 1 is a perspective view of a combined incense holder and ash tray showing my new design; FIG. 2 is a left side elevational view thereof; FIG. 3 is a top plan view thereof; FIG. 4 is a bottom plan view thereof; FIG. 5 is a front elevational view thereof; and FIG. 6 is a rear elevational view thereof.

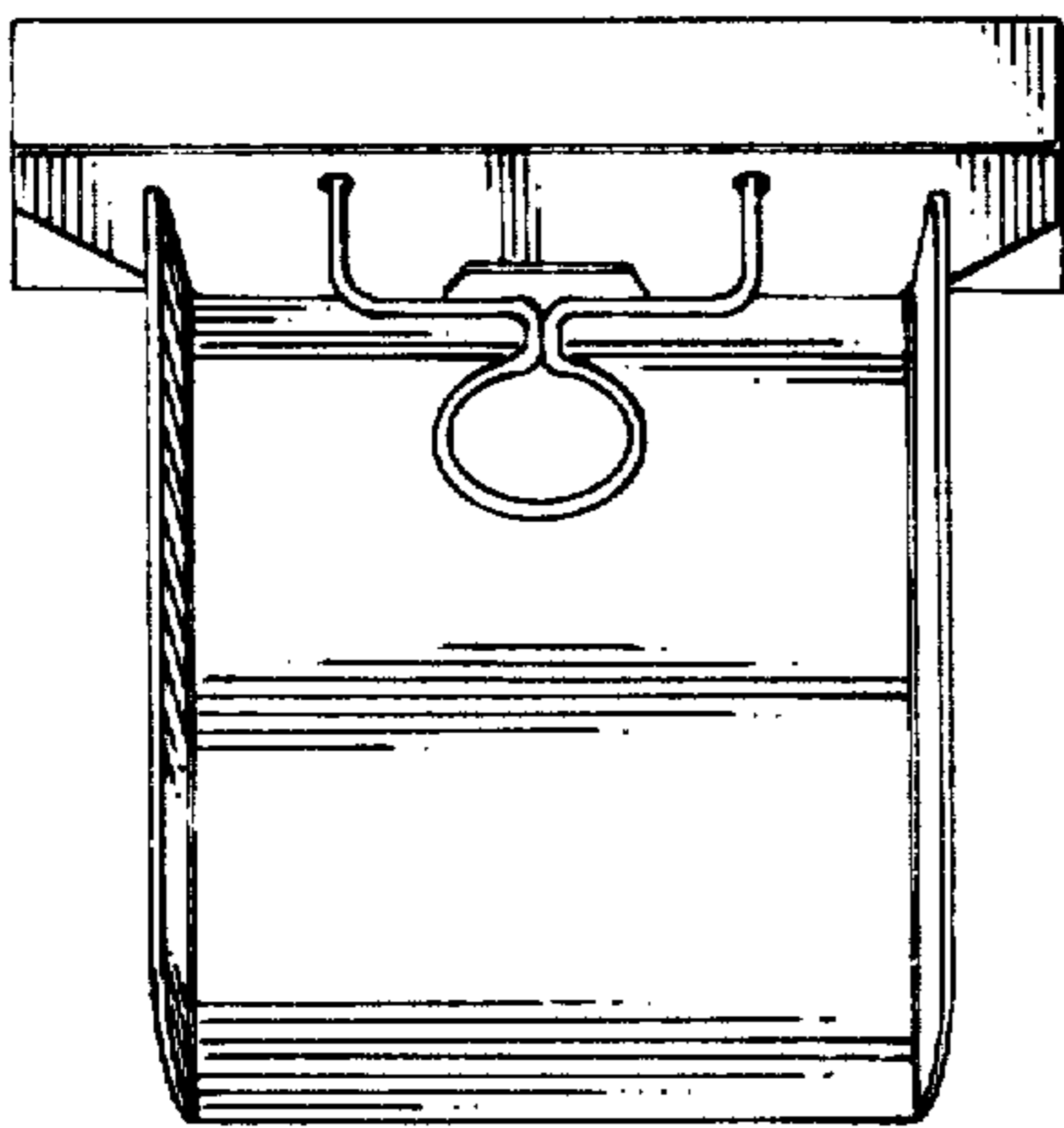




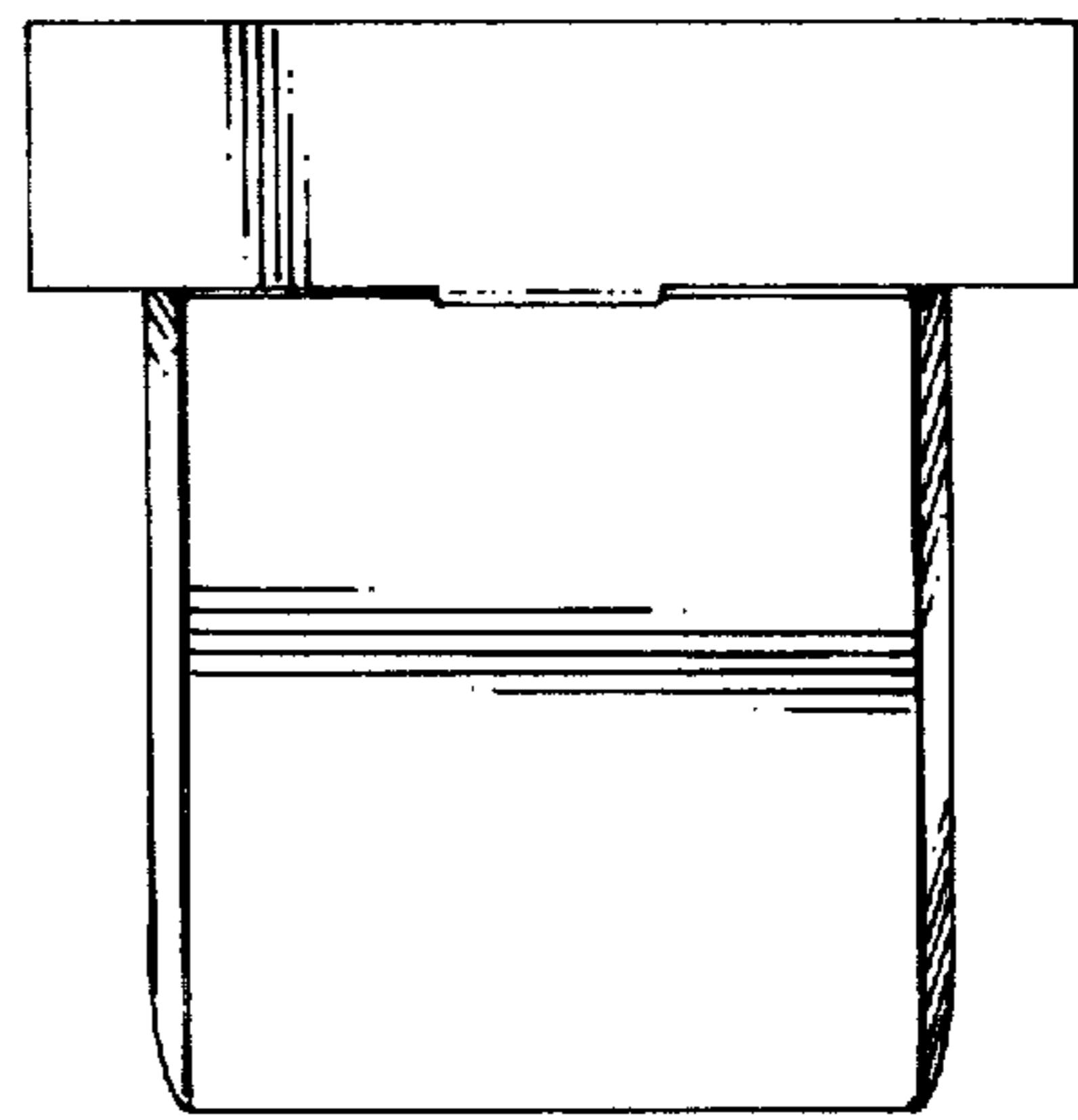
*Fig. 1*



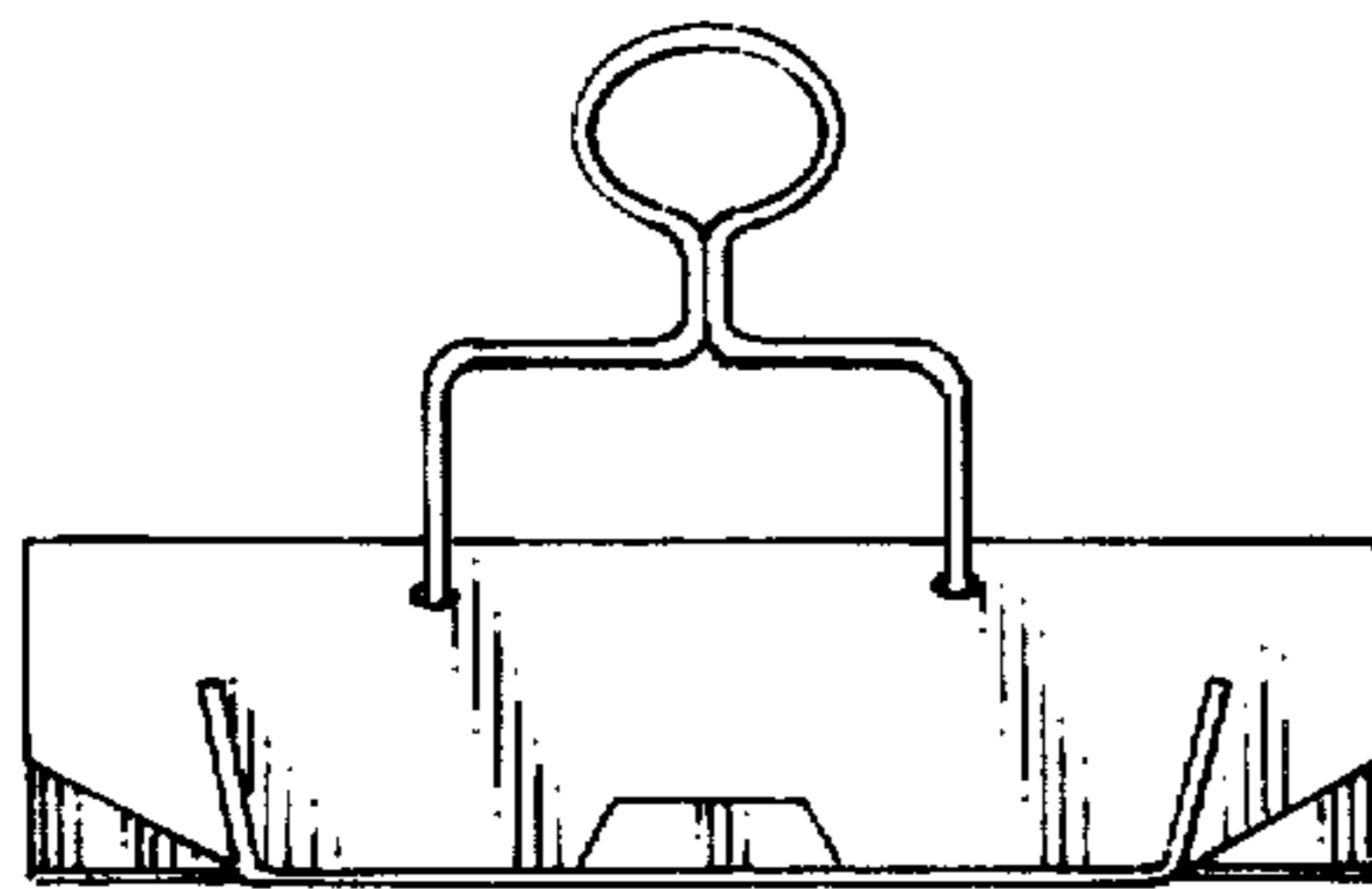
*Fig. 2*



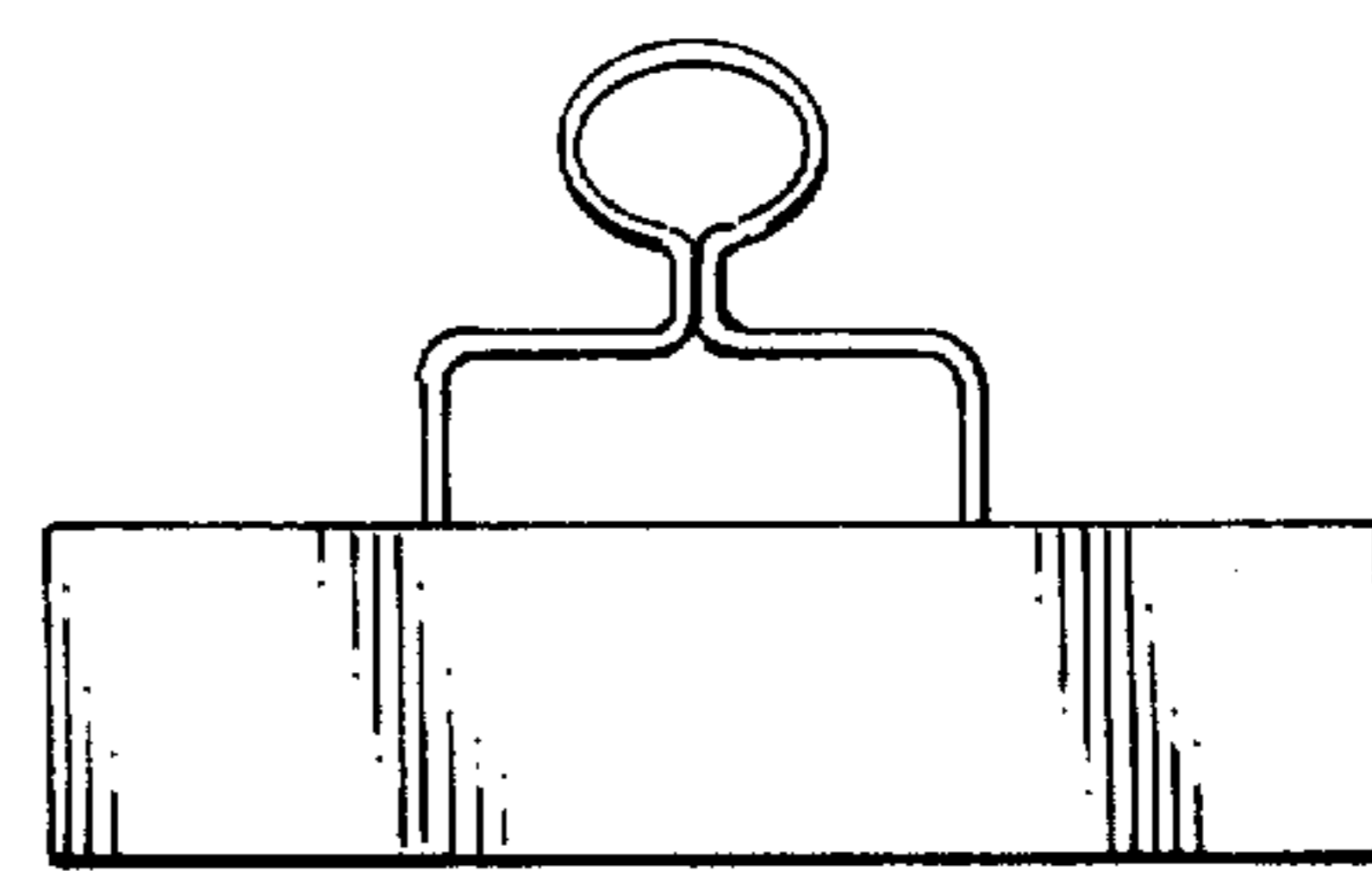
*Fig. 3*



*Fig. 4*



*Fig. 5*



*Fig. 6*