

[54] **AMPLIFIER**

[75] Inventor: **Yoshinobu Asai**, Tama, Japan

[73] Assignee: **Sansui Electric Co., Ltd.**, Tokyo, Japan

[**] Term: **14 Years**

[21] Appl. No.: **588,110**

[22] Filed: **June 18, 1975**

[30] **Foreign Application Priority Data**

Jan. 10, 1975 Japan 50-002040

[51] Int. Cl. **D14-03**

[52] U.S. Cl. **D26/14 L**

[58] Field of Search D26/14 K, 14 B, 5 R, D26/15 A; D56/4 B; 330/199, 1 R

[56] **References Cited**

U.S. PATENT DOCUMENTS

D. 212,950 12/1968 Gruyé et al..... D26/5 R

D. 216,393 12/1969 Sizer et al. D26/5 R
 D. 228,510 10/1973 Ohta D26/14 L
 D. 238,789 2/1976 Ross D26/14 L

OTHER PUBLICATIONS

Lafayette Radio Electronics Cat., 740, 1973, p. 468, CB 2-Way Radio.

Allied Radio Shack, 1971, Cat. 204A, p. 79, C.B. Transceiver.

Primary Examiner—Bernard Ansher

Attorney, Agent, or Firm—Richard C. Sughrue

[57] **CLAIM**

The ornamental design for amplifier, as shown and described.

DESCRIPTION

FIG. 1 is a front, top and right side perspective view of an amplifier showing my new design; and FIG. 2 is a rear, bottom and left side perspective view thereof.

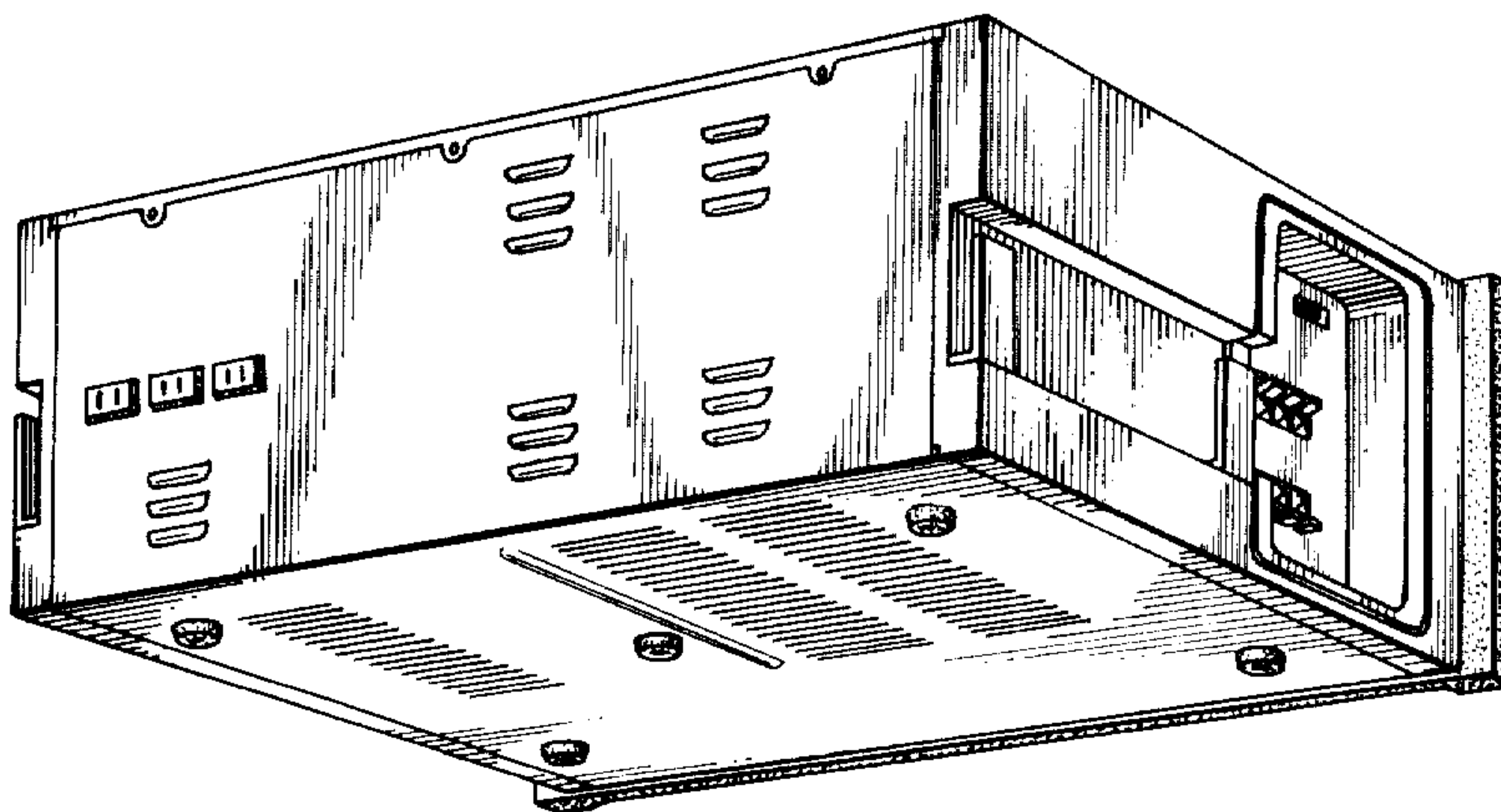
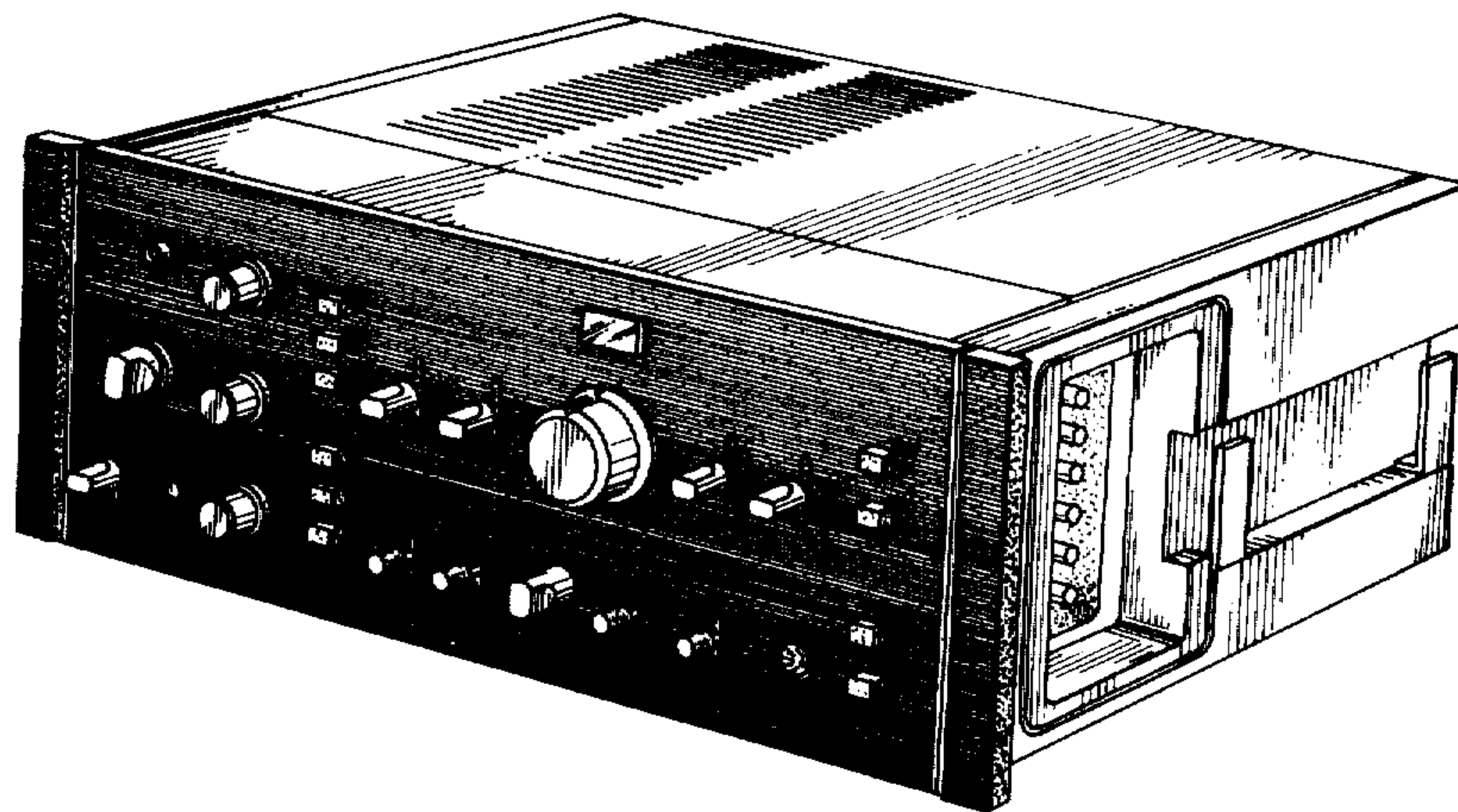


FIG. 1

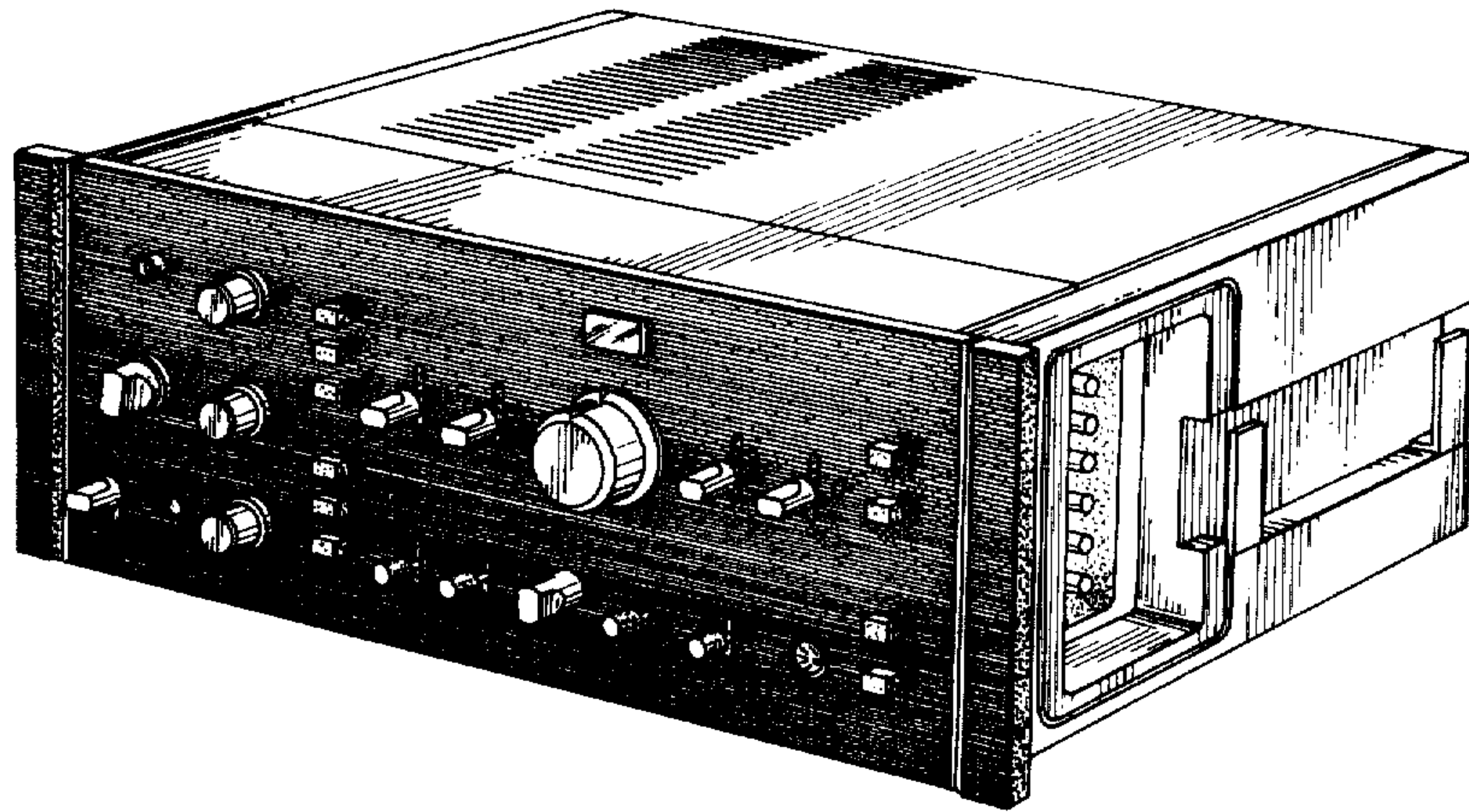


FIG. 2

