

[54] MODULAR CONNECTOR HOUSING

[75] Inventors: Wilmer Lee Sheesley, Harrisburg; Dean Roosevelt Hooper, Middletown, both of Pa.

[73] Assignee: AMP Incorporated, Harrisburgh, Pa.

[\*\*] Term: 14 Years

[21] Appl. No.: 655,643

[22] Filed: Feb. 6, 1976

[51] Int. Cl. D13-03

[52] U.S. Cl. D26/1 A

[58] Field of Search D26/1 A, 1 C; 339/184, 339/186

[56] References Cited

U.S. PATENT DOCUMENTS

2,891,103 6/1959 Swengel 339/128
D. 210,533 3/1968 Pavza D26/1 A

FOREIGN PATENT DOCUMENTS

106,197 1/1939 Australia 339/184 R

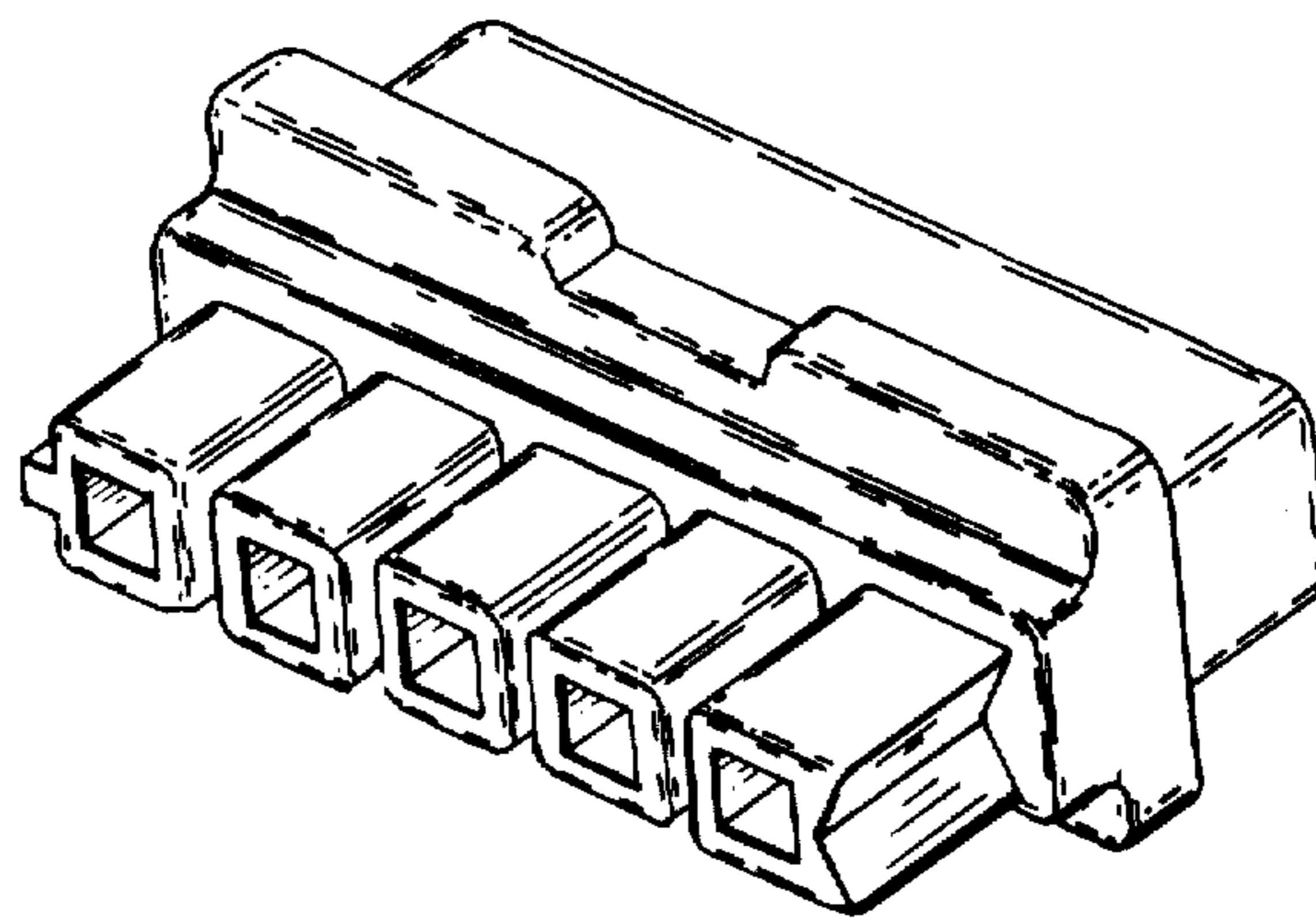
Primary Examiner—Wallace R. Burke
Assistant Examiner—Christine M. Nucker
Attorney, Agent, or Firm—William J. Keating

[57] CLAIM

The ornamental design for a modular connector housing, as shown and described.

DESCRIPTION

FIG. 1 is a perspective view of a modular connector housing showing my new design.
FIG. 2 is a front elevational view thereof.
FIG. 3 is a top plan view thereof.
FIG. 4 is a right side elevational view thereof.
FIG. 5 is a rear elevational view thereof.
FIG. 6 is a left side elevational view thereof.
FIG. 7 is a front elevational view of a modular connector housing showing a modified form of the design of FIG. 2.
FIG. 8 is a front elevational view of a modular connector housing showing another modified form of the design of FIG. 2.
The top, rear, right side and left side of FIGS. 7 and 8 are the same as those disclosed for FIG. 1.



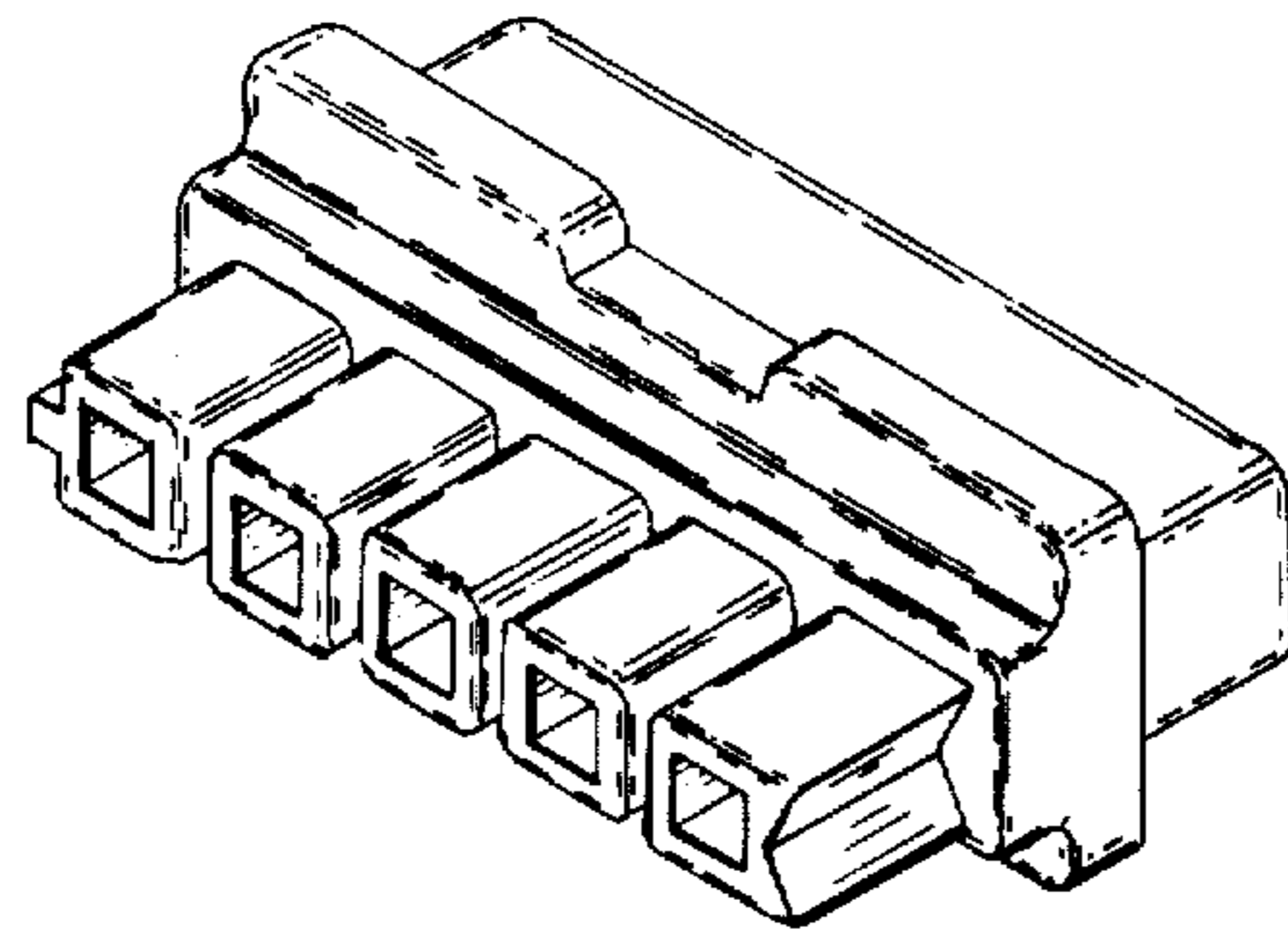


FIG 1

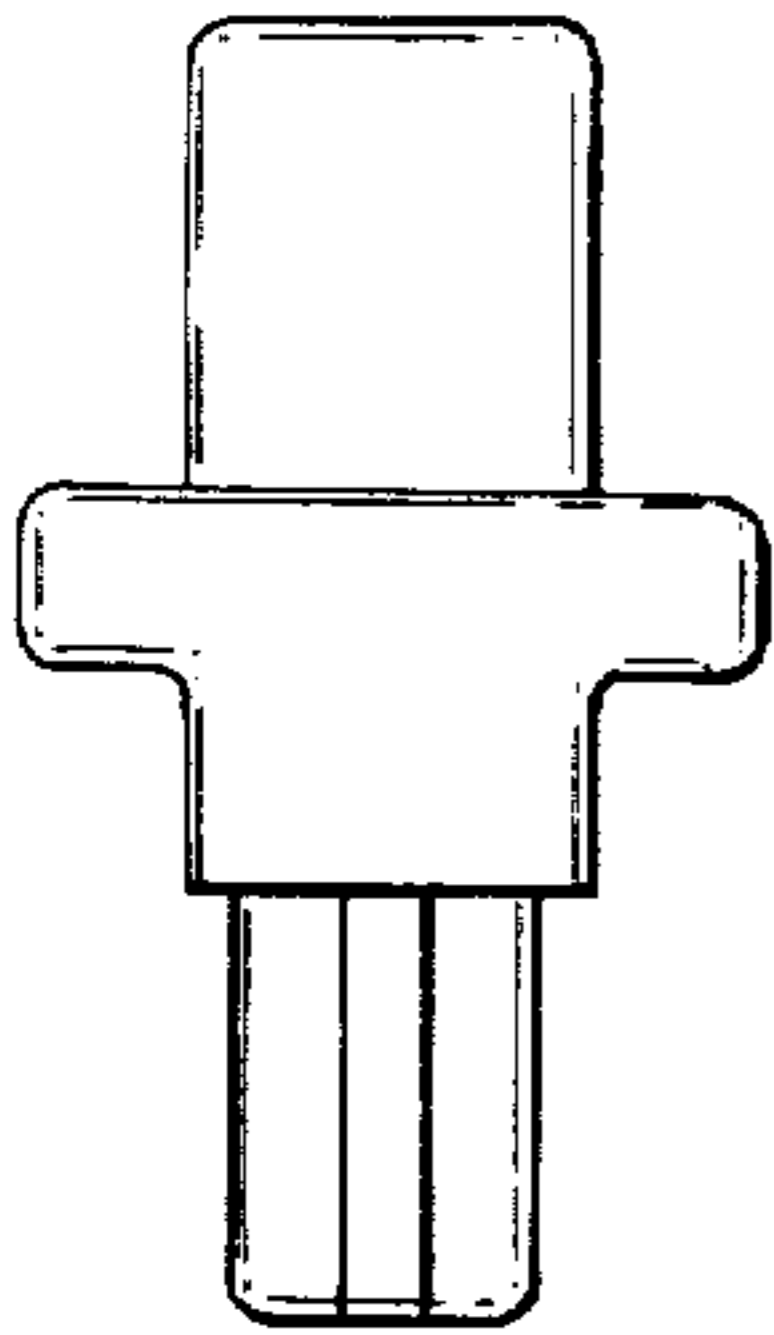


FIG 6

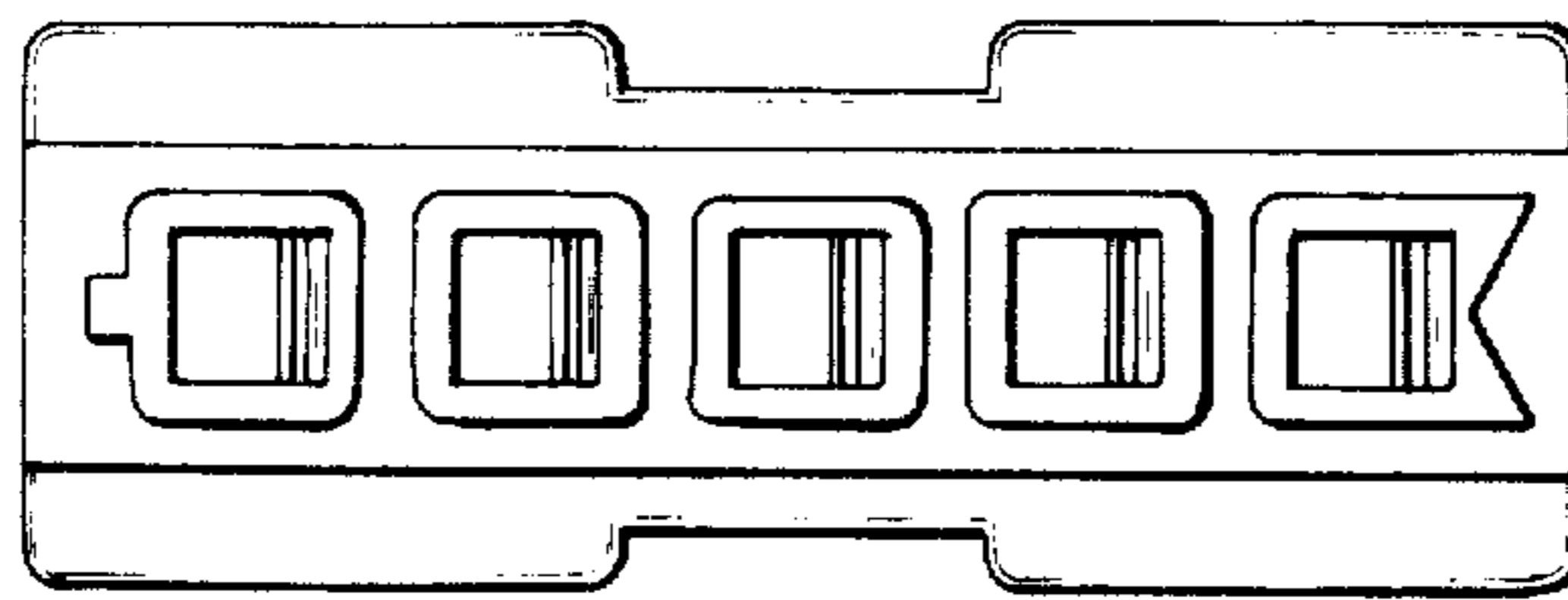


FIG 2

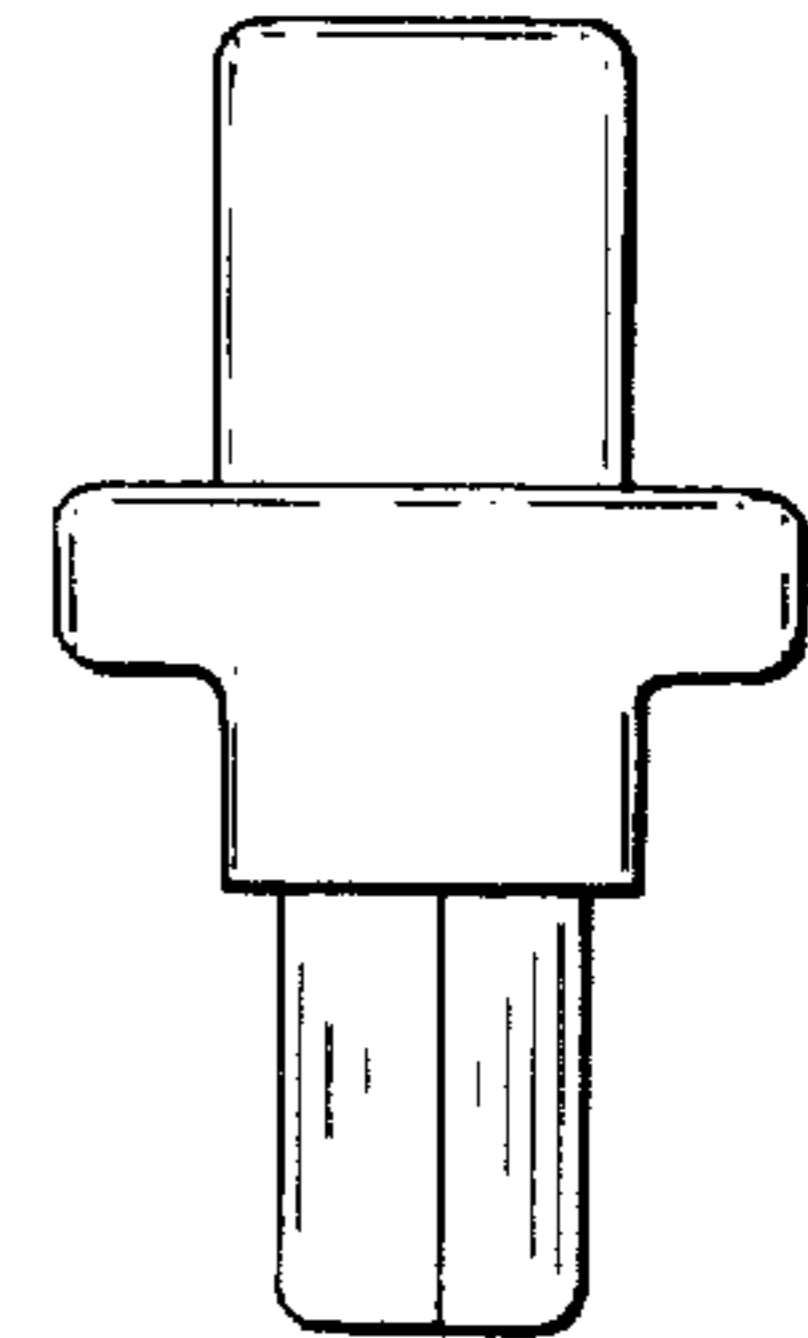


FIG 4

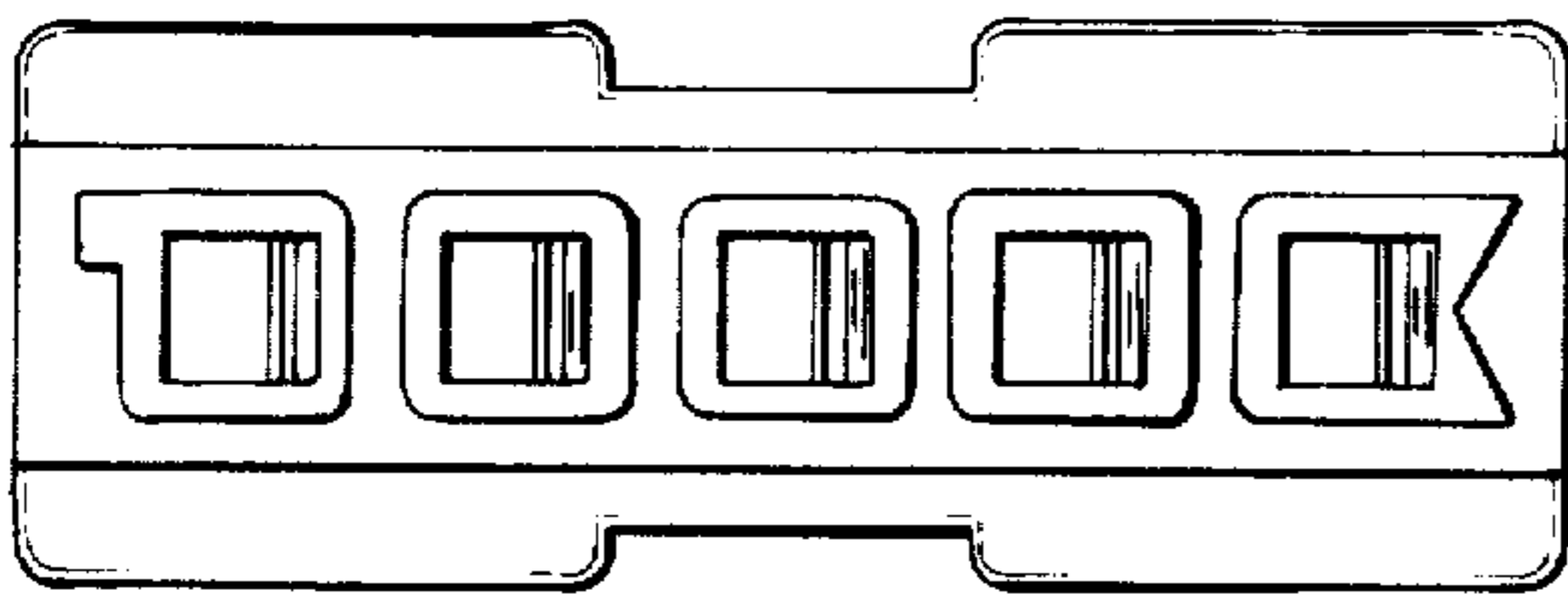


FIG 7

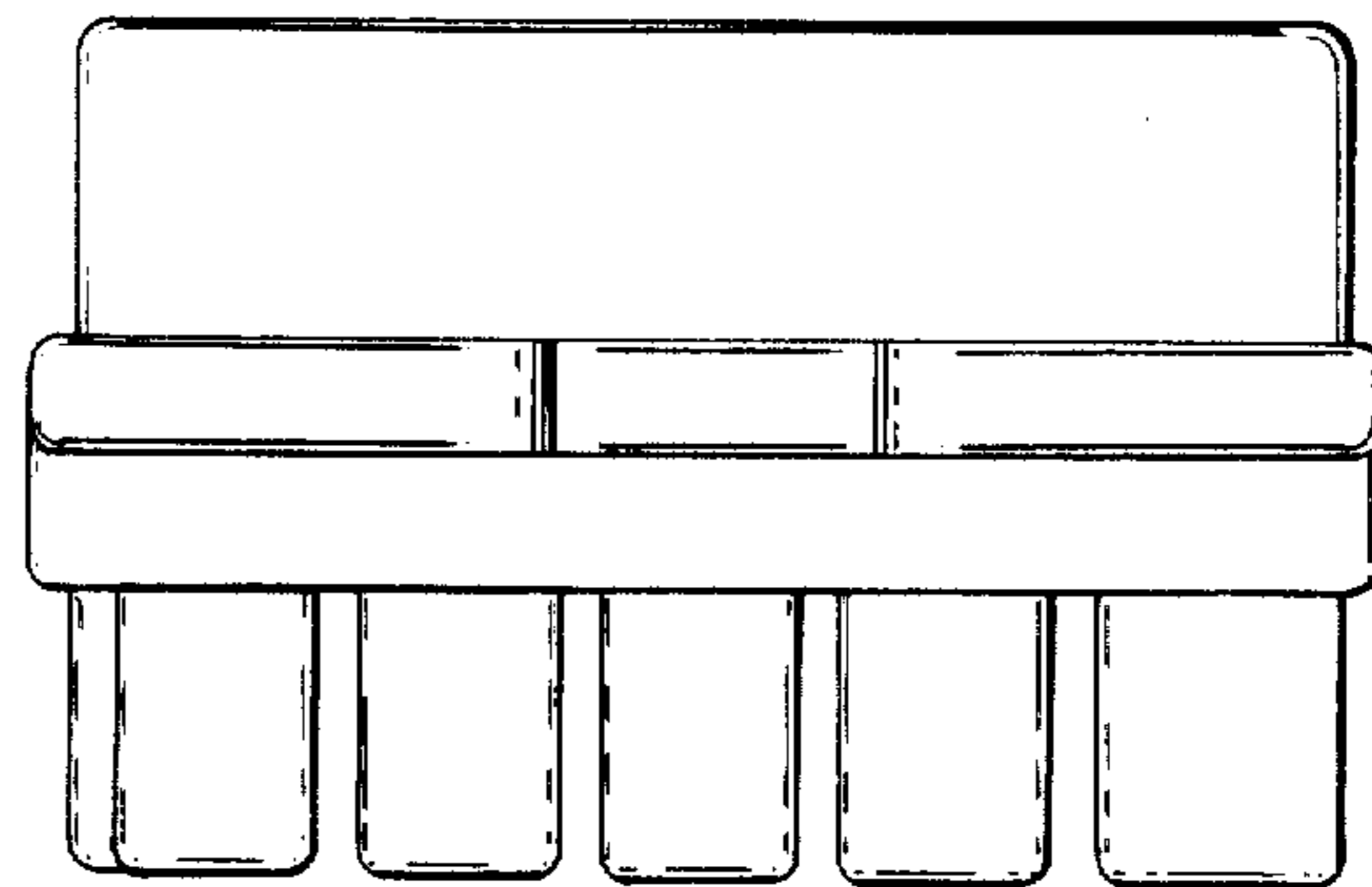


FIG 3

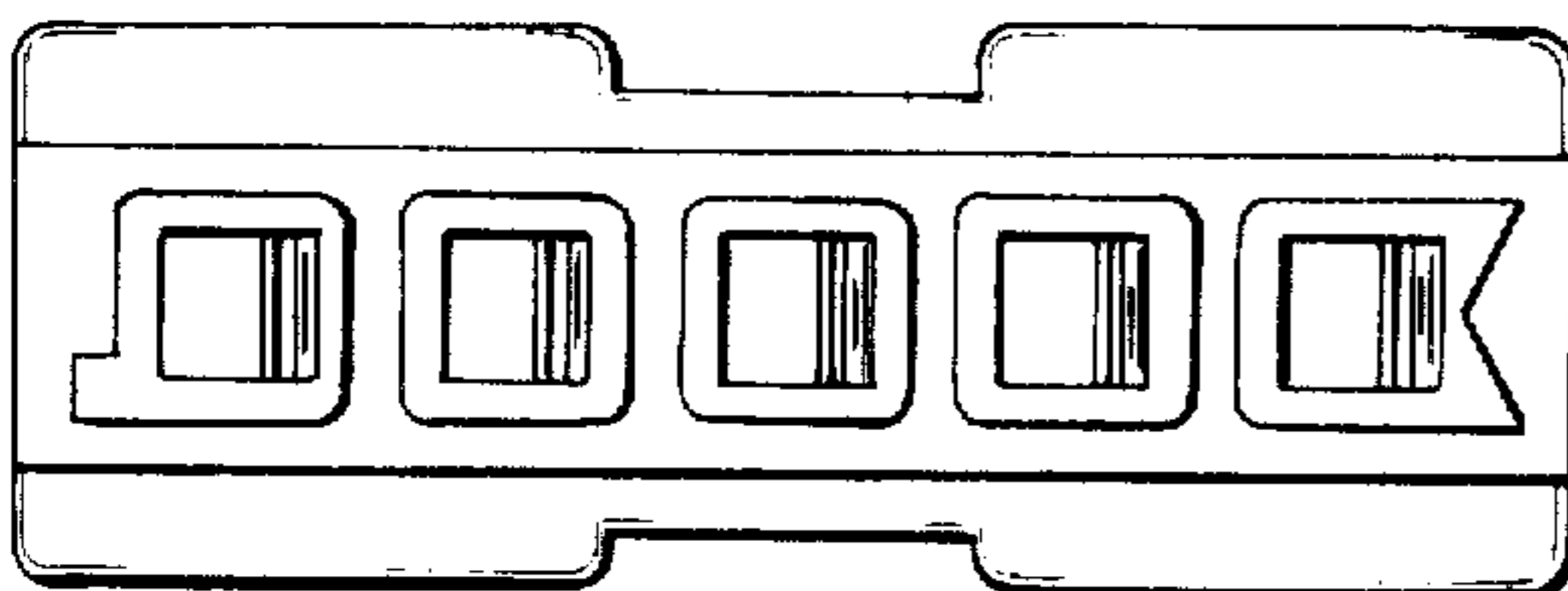


FIG 8

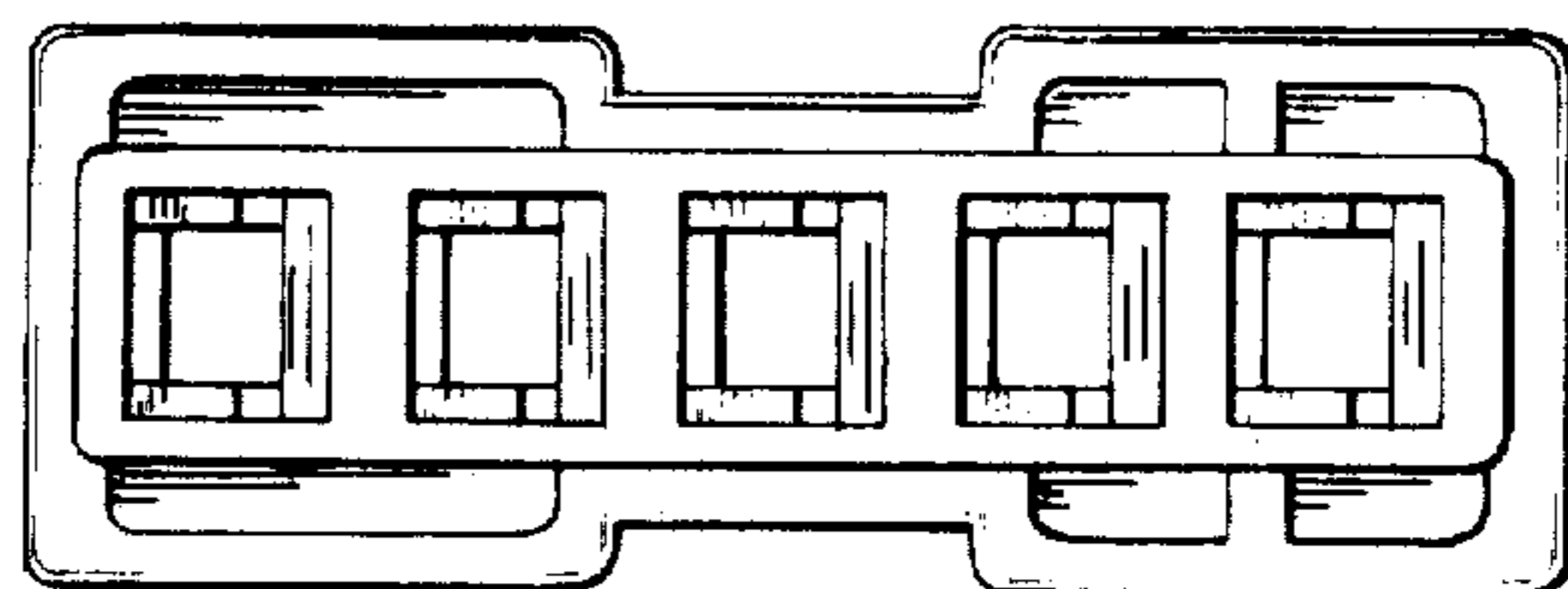


FIG 5