

[54] WALL STUD

[75] Inventor: Ian Scrivener, Beecroft, Australia

[73] Assignee: Comalco Products Pty. Limited,
Melbourne, Australia

[**] Term: 14 Years

[21] Appl. No.: 497,467

[22] Filed: Aug. 14, 1974

[30] Foreign Application Priority Data

Apr. 26, 1974 Australia 64842/74

[51] Int. Cl. D25-01

[52] U.S. Cl. D25/77

[58] Field of Search D13/1 J, 1 H, 6;
52/720, 729, 588; D25/77, 75, 76, 74

[56]

References Cited

U.S. PATENT DOCUMENTS

3,716,027 2/1973 Vickstrom et al. 52/588
3,877,193 4/1975 Hall 52/729

OTHER PUBLICATIONS

Sweet's Architectural Catalog File, 1973, Section
5,3Alu, p. 4, top right corner, 8-inch joist J8.

Primary Examiner—Wallace R. Burke
Attorney, Agent, or Firm—John W. Malley

[57]

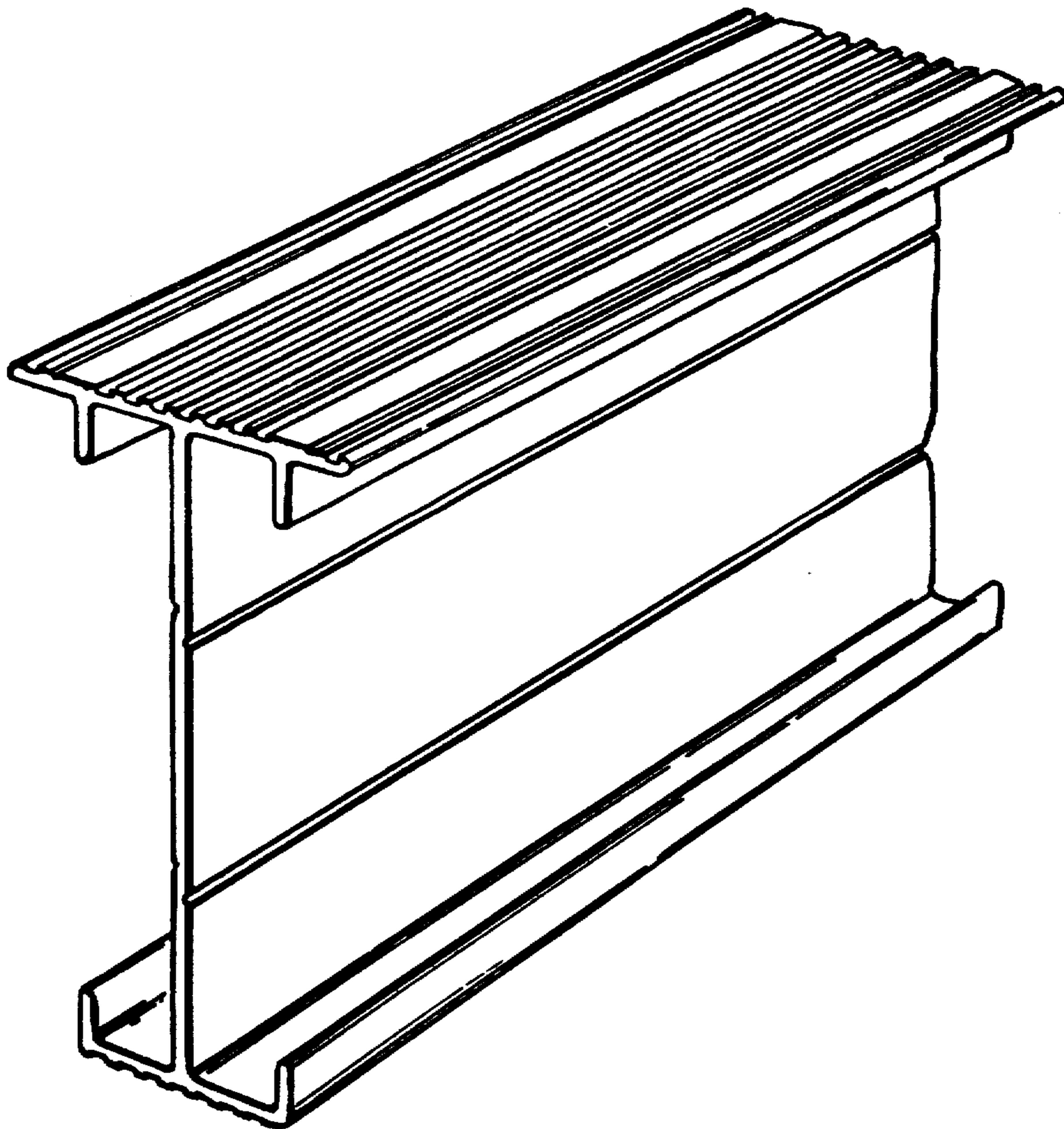
CLAIM

The ornamental design for a wall stud, as shown and
described.

DESCRIPTION

FIG. 1 is a perspective view of a portion of a wall stud
showing my design, said stud being of indeterminate
length.

FIG. 2 is an enlarged longitudinal cross sectional view
thereof.



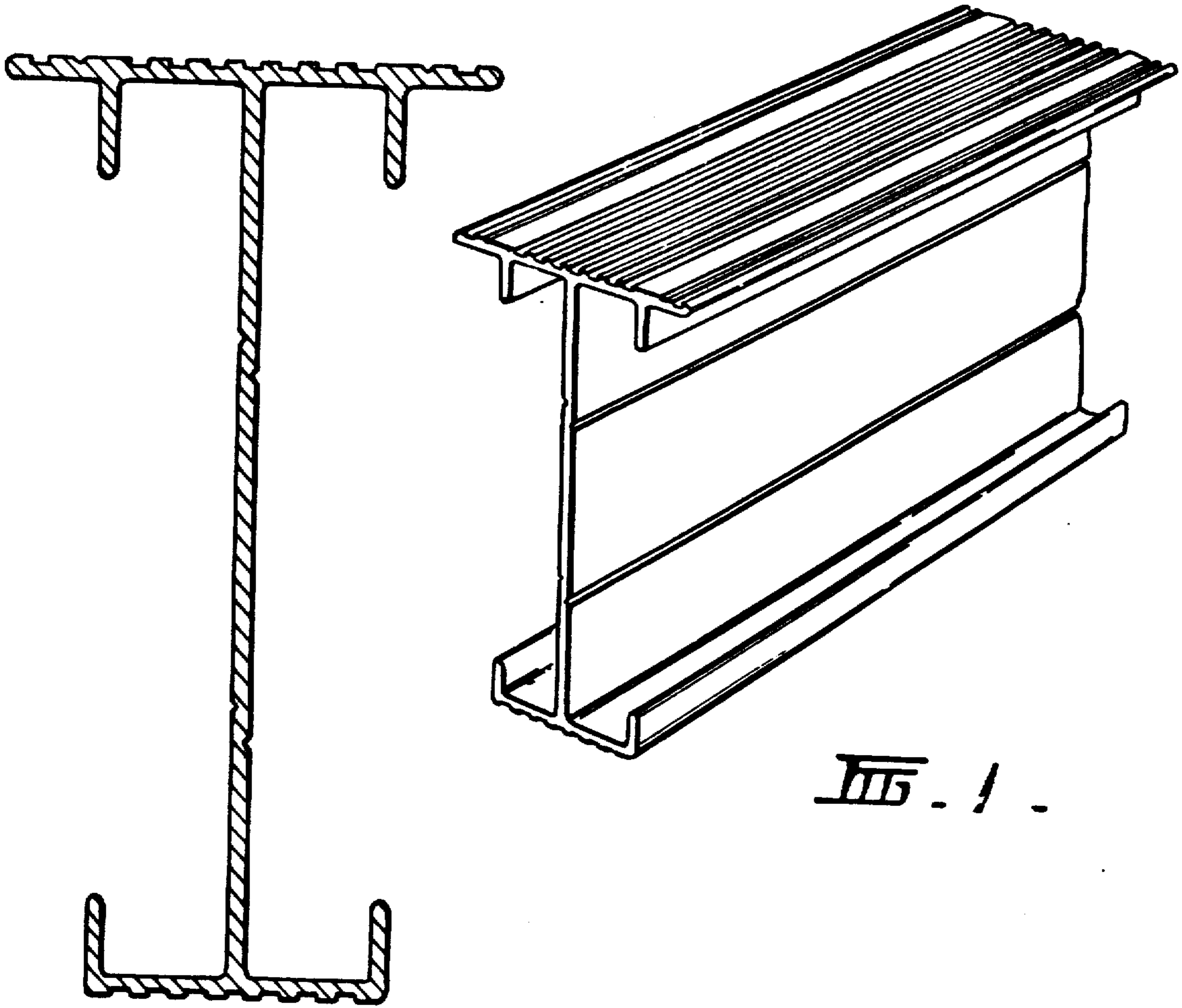


FIG. 1.

FIG. 2.