

[54] **PLASTIC THERMAL BARRIER FOR USE IN CONSTRUCTING THERMALLY INSULATED WINDOWS, DOORS, FRAMES AND THE LIKE**

3,267,631	8/1966	Hammitt .....	52/495
3,282,016	11/1966	Denney .....	52/732
3,327,438	6/1967	Cooper .....	52/495 X
3,566,561	3/1971	Tozer .....	52/720

[75] Inventor: Dietrich F. Schmidt, Carlisle, Pa.

*Primary Examiner*—Wallace R. Burke

[73] Assignee: Capitol Products Corporation, Mechanicsburg, Pa.

*Assistant Examiner*—Larry Jones

*Attorney, Agent, or Firm*—Donald L. Johnson

[\*\*] Term: 14 Years

[57] CLAIM

[21] Appl. No.: 580,959

The ornamental design for a plastic thermal barrier for use in constructing thermally insulated windows, doors, frames and the like, substantially as shown and described.

[22] Filed: May 27, 1975

[51] Int. Cl. .... D25-01

[52] U.S. Cl. .... D25/75

[58] Field of Search ..... D13/6, 1 R, 1 M, 1 H, D13/DIG. 2; 52/729, 738, 739, 695, 702, 289, 403; 49/303, 486, 475, 483, DIG. 1, DIG. 2, 404, 155; 29/155 R, 155 C, 150

DESCRIPTION

FIG. 1 is a perspective view of a plastic thermal barrier for use in constructing thermally insulated windows, doors, frames and the like shown fragmentarily to indicate indeterminate length;

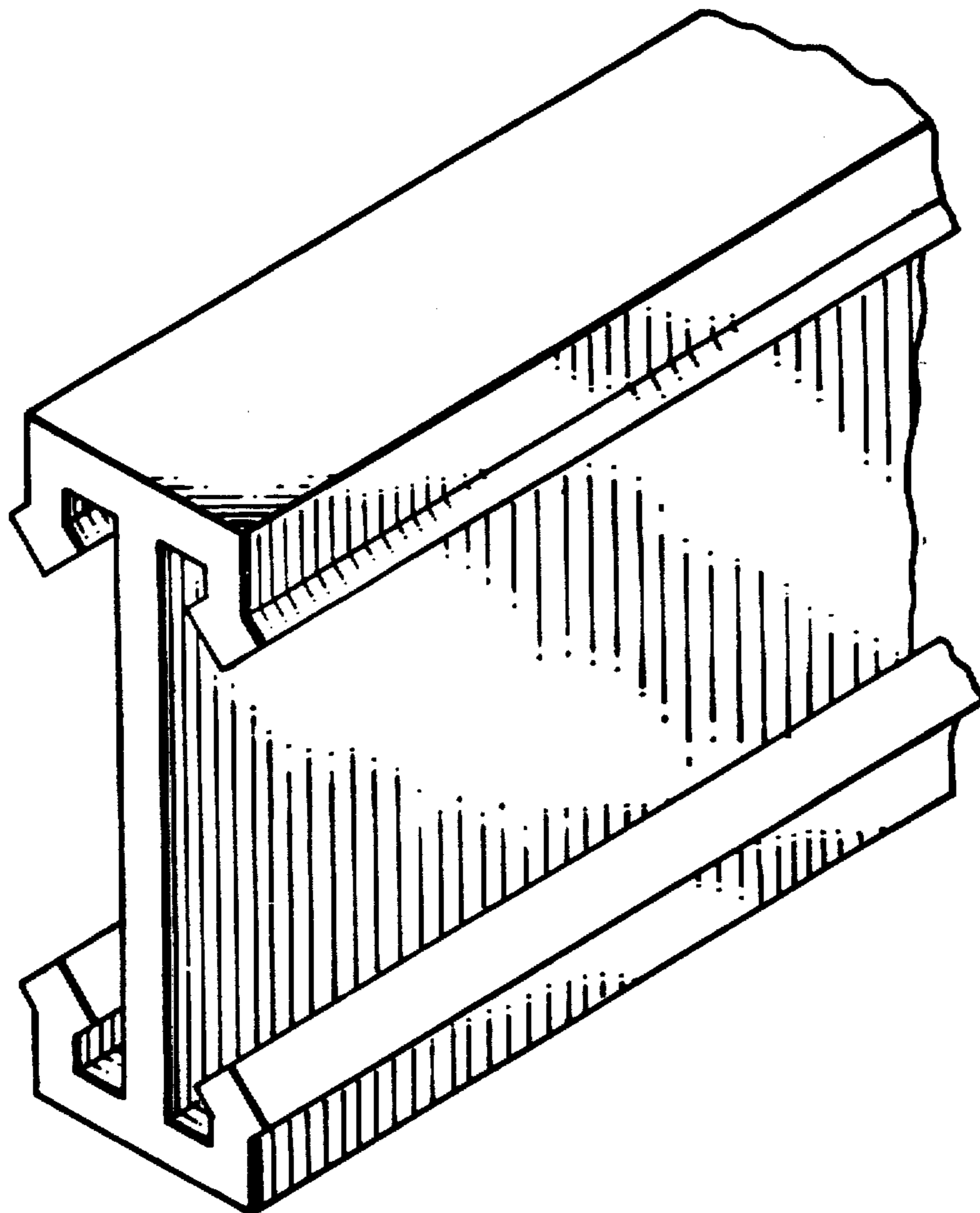
FIG. 2 is a side view thereof;

FIG. 3 is a sectional view taken along line 3-3 of FIG. 2.

[56] References Cited

U.S. PATENT DOCUMENTS

3,216,538 11/1965 Miller ..... 52/282 X



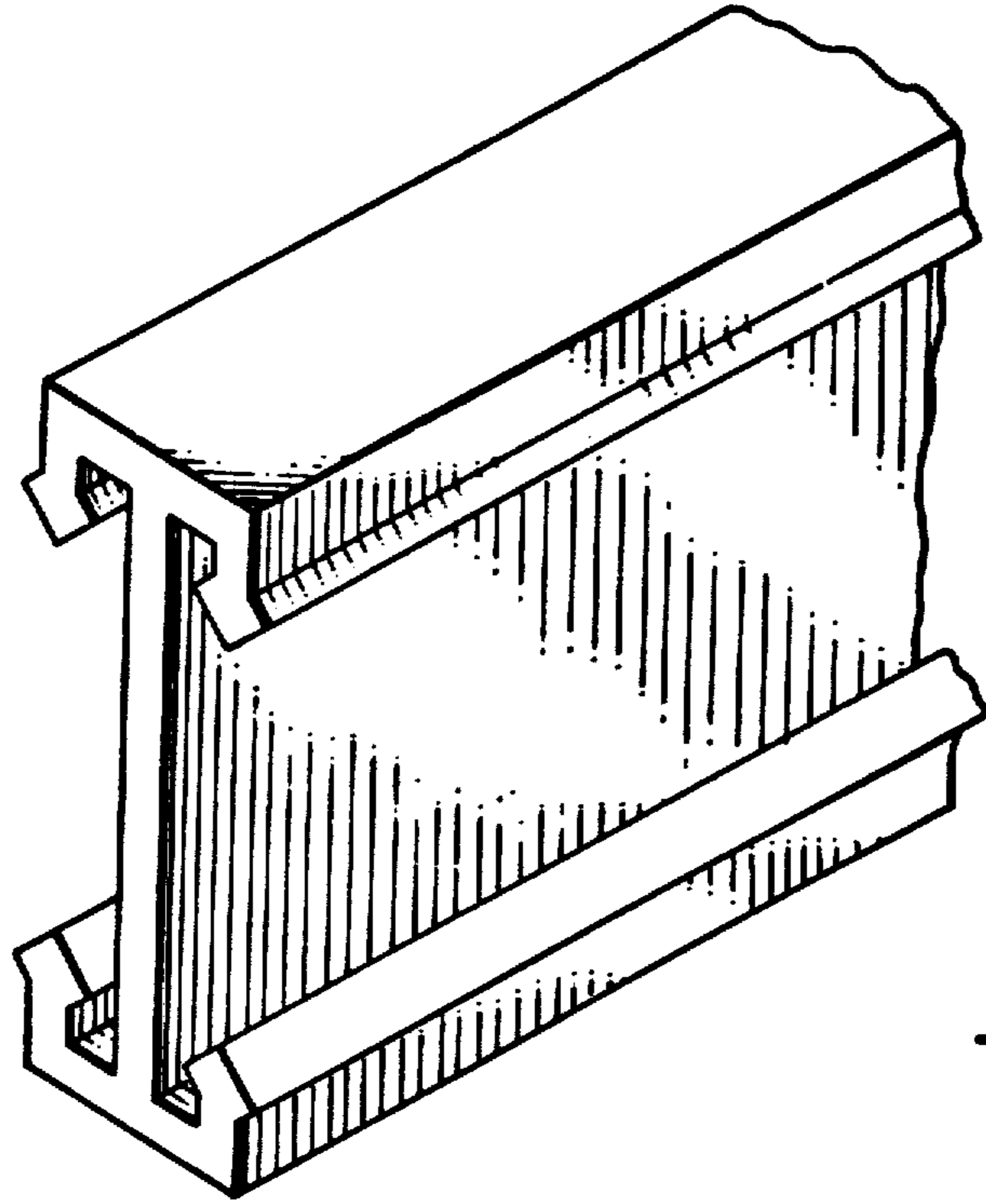


FIG. 1.

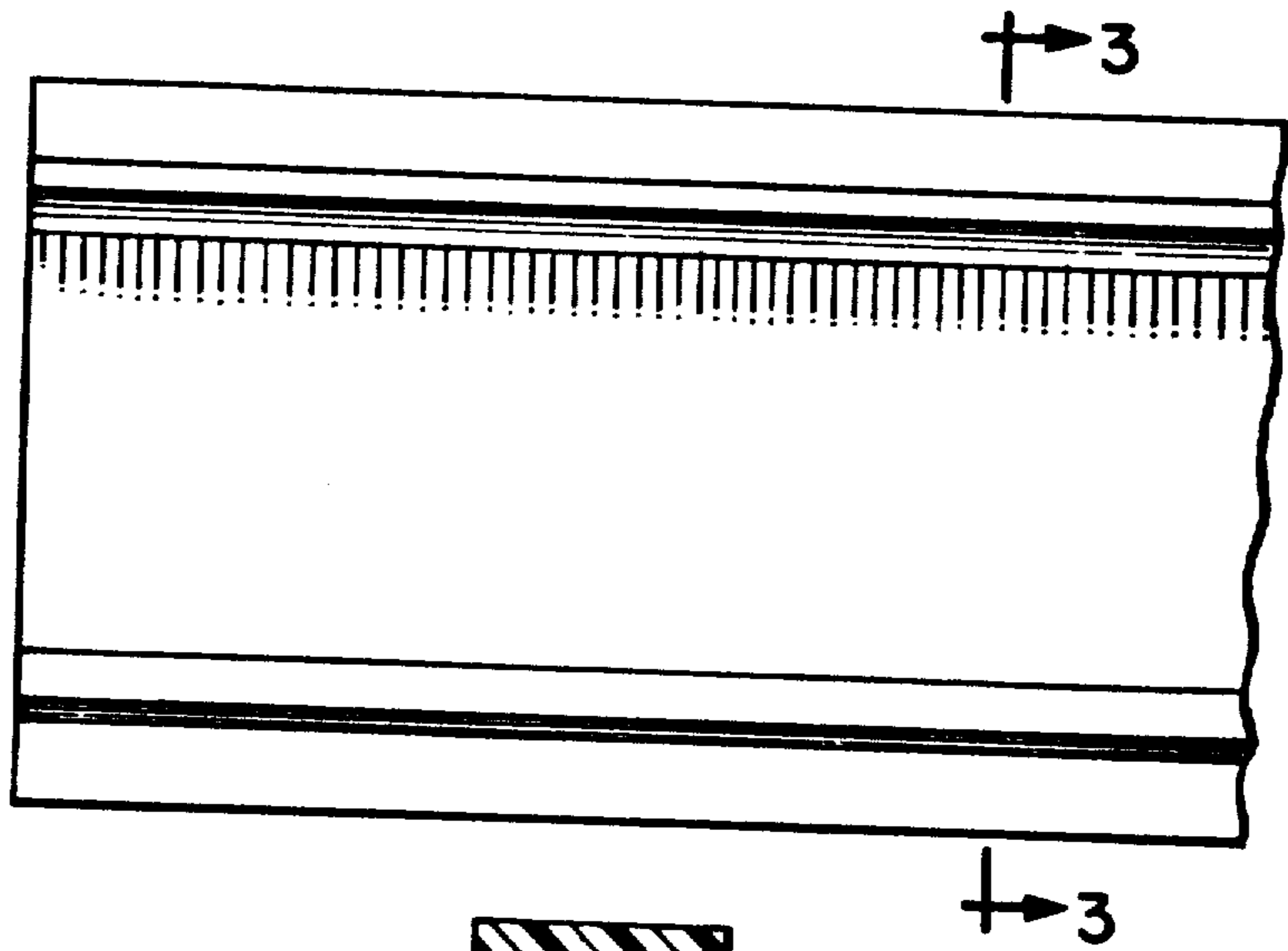


FIG. 2.

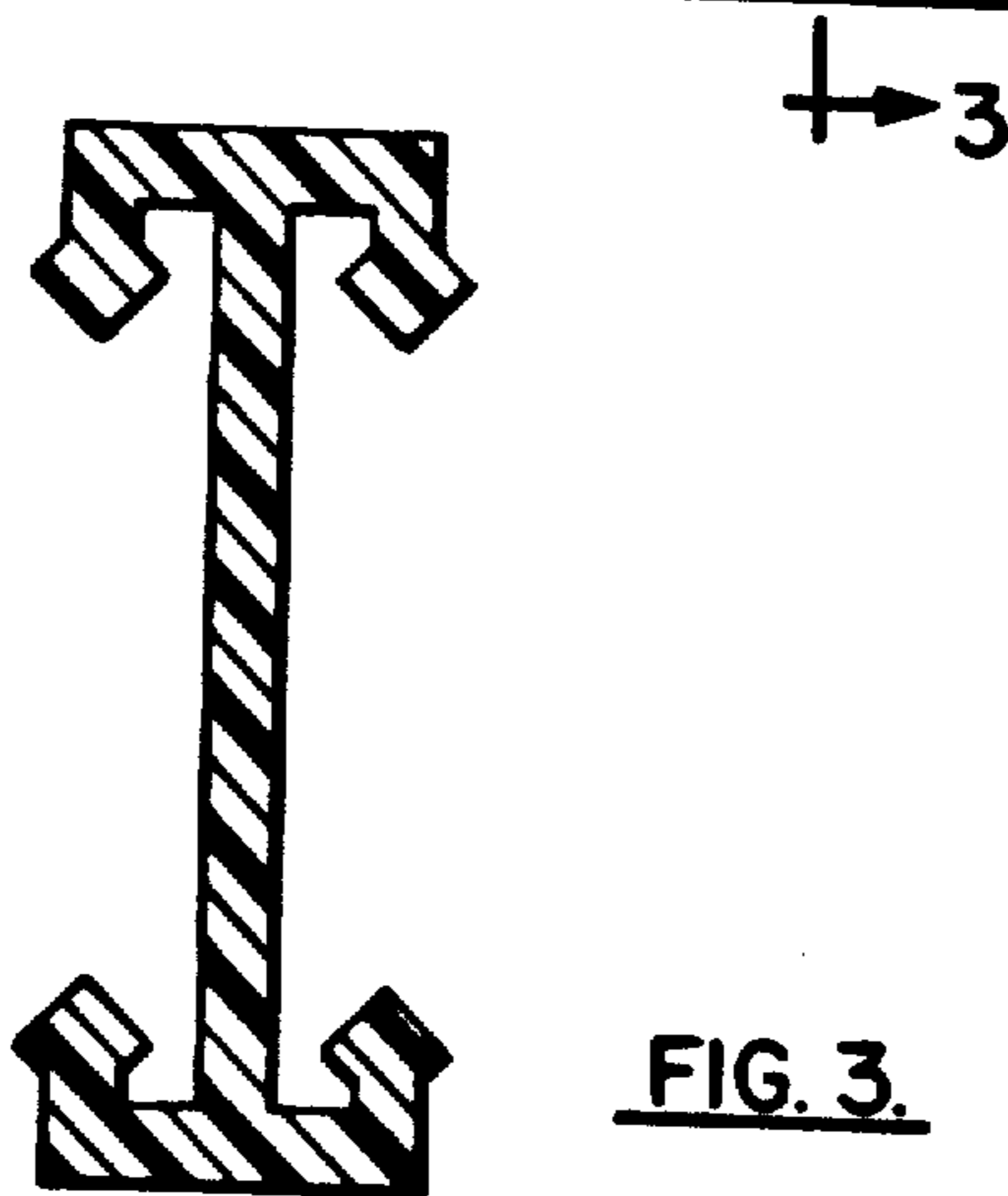


FIG. 3.