

[54] PLASTIC THERMAL BARRIER FOR USE IN CONSTRUCTING THERMALLY INSULATED WINDOWS, DOORS AND/OR FRAMES AND THE LIKE

3,216,538 11/1965 Miller 52/282 X
3,282,016 11/1966 Dennery 52/732
3,566,561 3/1971 Tozer 52/729
3,774,366 11/1973 Baker 52/729 X

[75] Inventor: Dietrich F. Schmidt, Carlisle, Pa.

Primary Examiner—Wallace R. Burke
Assistant Examiner—Larry Jones
Attorney, Agent, or Firm—Donald L. Johnson

[73] Assignee: Capitol Products Corporation, Mechanicsburg, Pa.

[**] Term: 14 Years

[21] Appl. No.: 580,931

[22] Filed: May 27, 1975

[51] Int. Cl. D25-01

[52] U.S. Cl. D25/74

[58] Field of Search D13/6, 1 R, 1 M, 1 H, D13/DIG. 2; 49/303, 486, 475, 483, DIG. 1, DIG. 2, 155, 404; 29;155 R;150;155 C; 52/403, 738, 739, 728, 695, 702, 289, 731, 732, 733, 720, 282, 243, 726, 782

[57] CLAIM

The ornamental design for plastic thermal barrier for use in constructing thermally insulated windows, doors and/or frames and the like, substantially as shown and described.

DESCRIPTION

FIG. 1 is a perspective view of a plastic thermal barrier for use in constructing thermally insulated windows, doors, frames and the like shown fragmentarily to indicate indeterminate length;

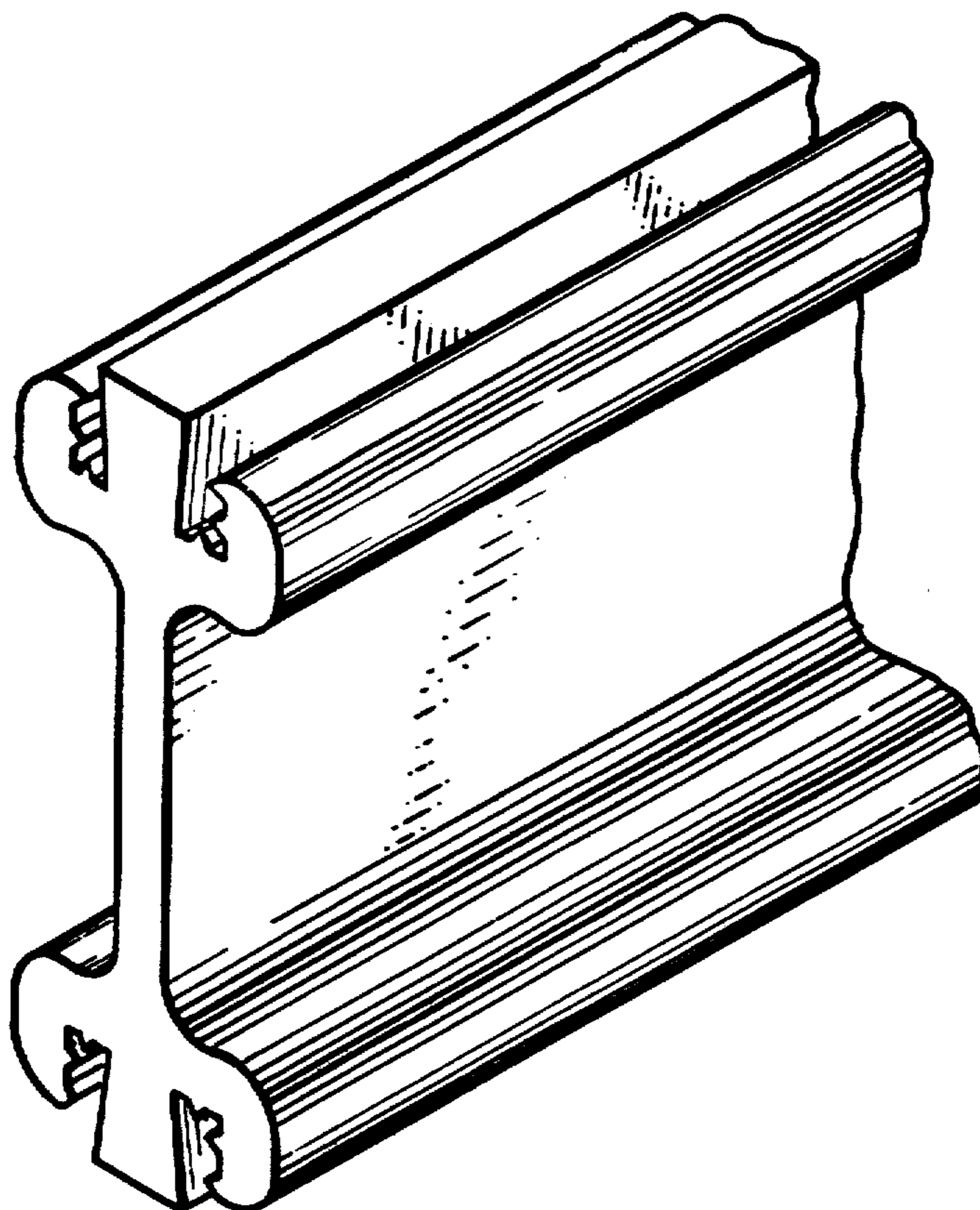
FIG. 2 is a side view thereof;

FIG. 3 is a sectional view taken along line 3-3 of FIG. 2.

[56] References Cited

U.S. PATENT DOCUMENTS

3,099,335 7/1963 Sklar 52/729 X



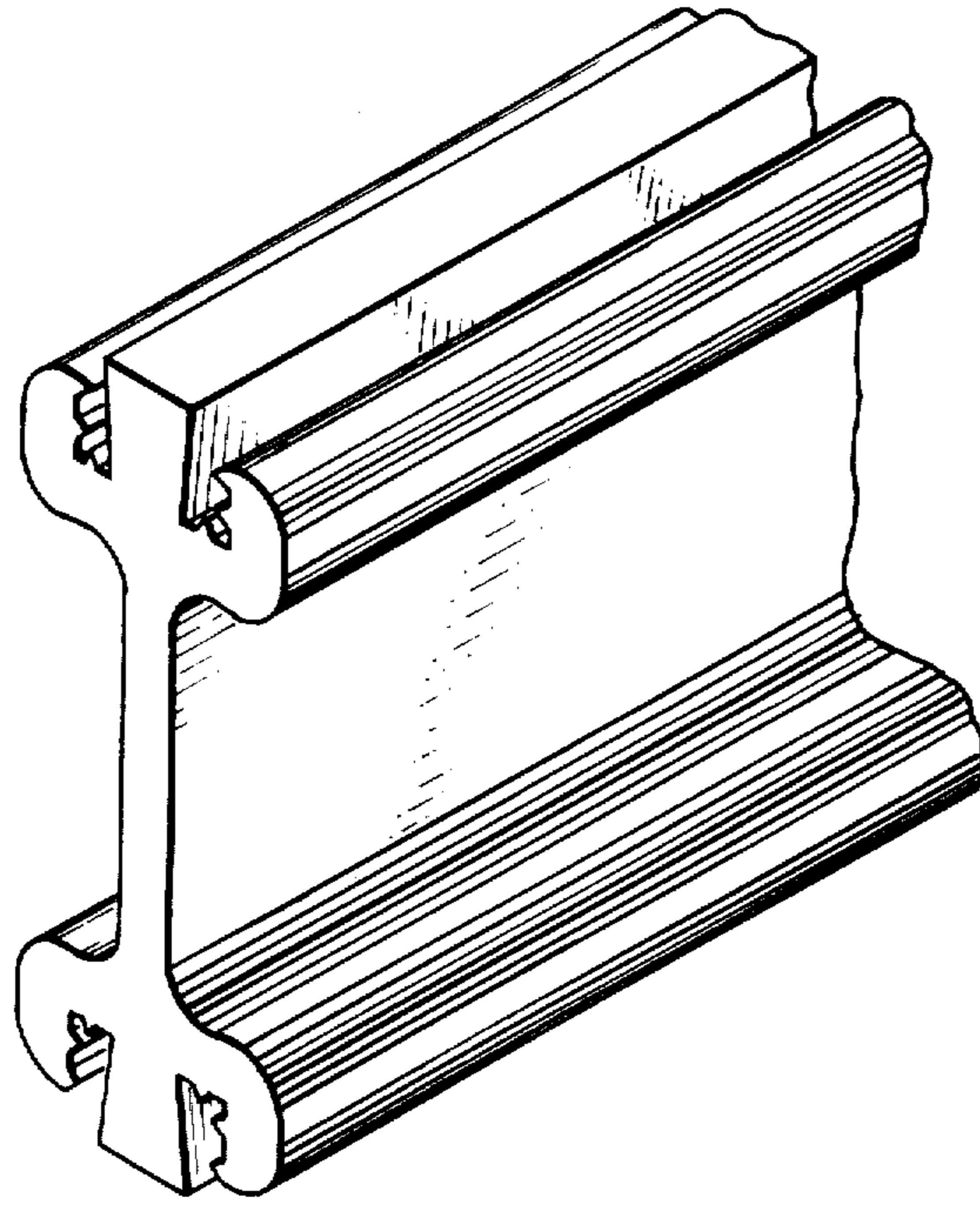


FIG. 1.

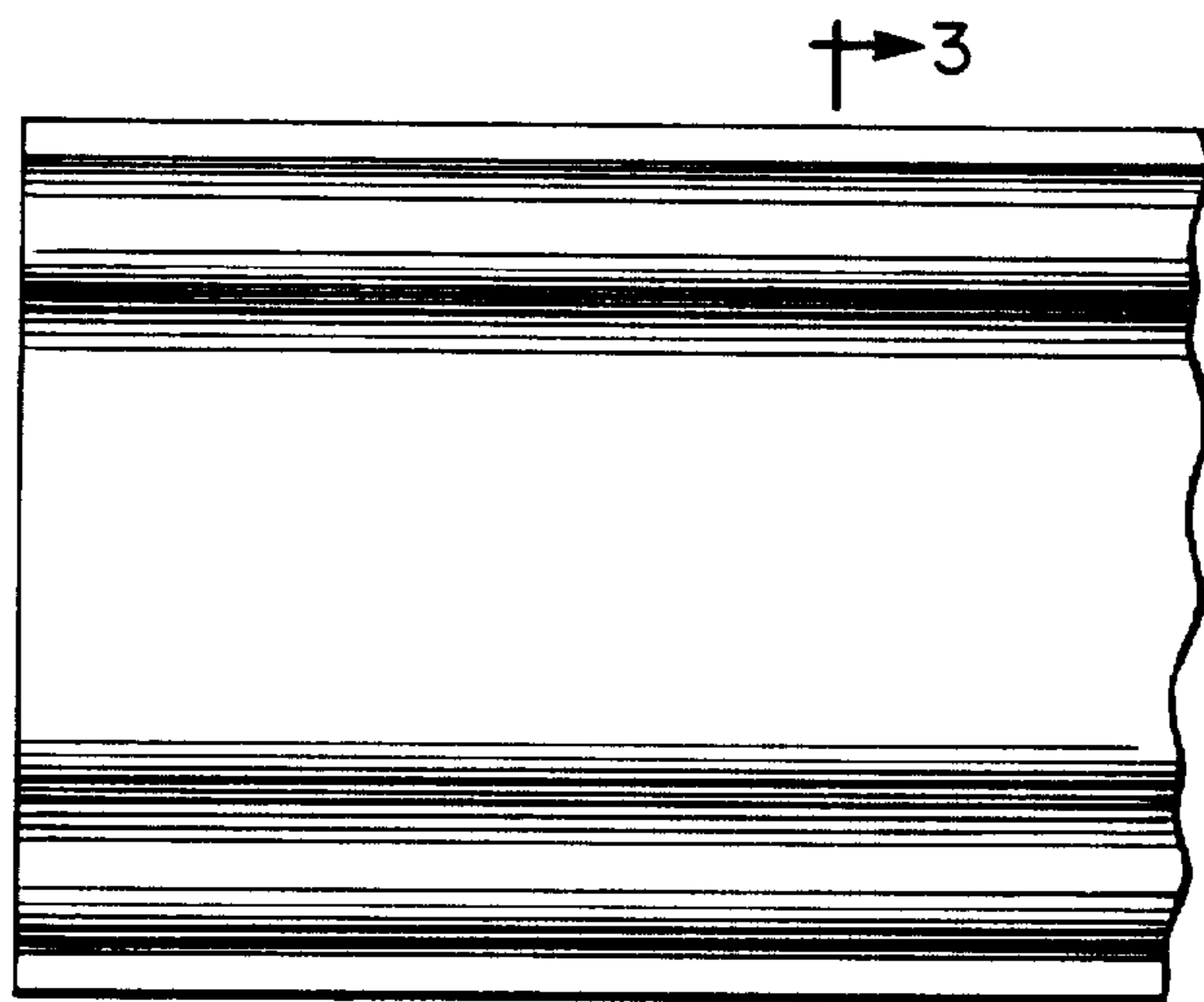


FIG. 2.

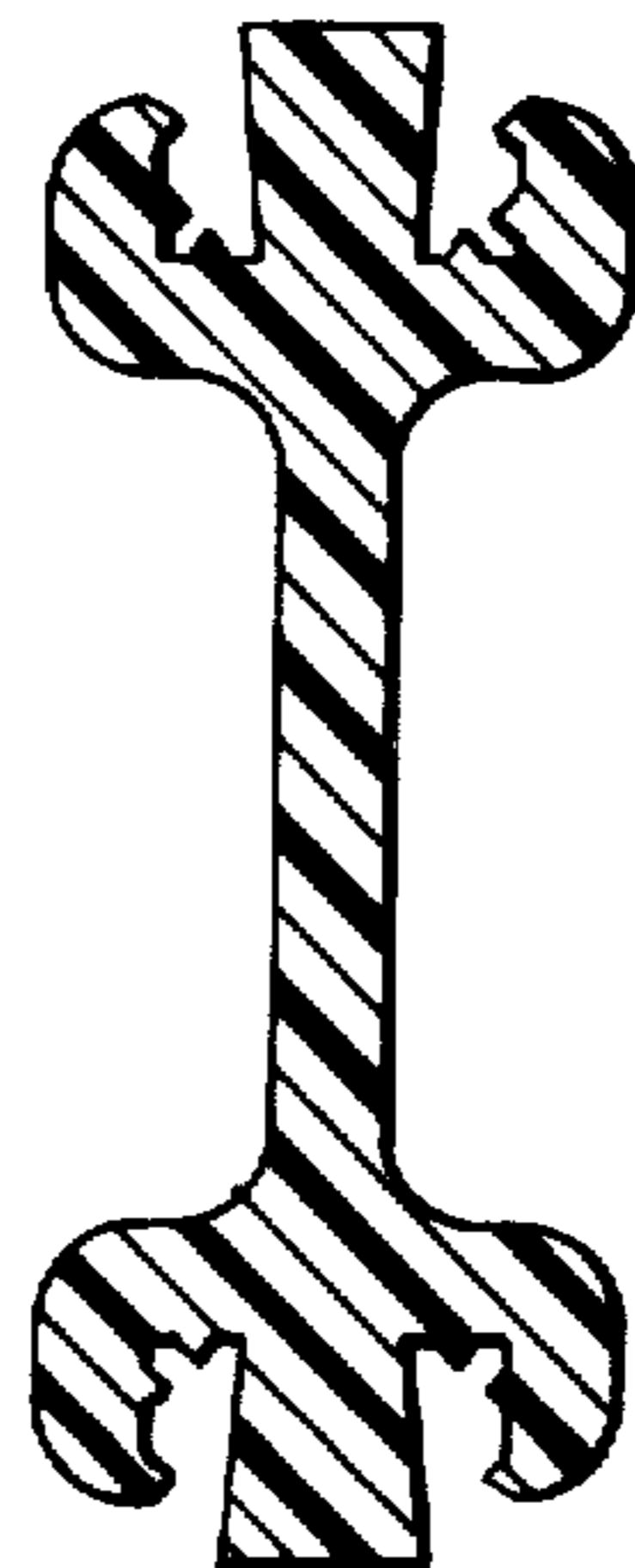


FIG. 3.