

[54] VALVE HANDLE

[75] Inventors: Earl A. Bake, Pittsburgh; E. Frederick Schoeneweis, Coraopolis, both of Pa.

[73] Assignee: Rockwell International Corporation, Pittsburgh, Pa.

[**] Term: 14 Years

[21] Appl. No.: 637,085

[22] Filed: Dec. 2, 1975

[51] Int. Cl. D23—01

[52] U.S. Cl. D23/28

[58] Field of Search D23/27-32; D8/138-142

[56] References Cited

U.S. PATENT DOCUMENTS

D. 78,614	5/1929	Brown	D23/28
D. 84,462	6/1931	Clemmons	D23/29
D. 100,698	8/1936	Knapp et al.	D8/138
D. 105,254	7/1937	Zinkil	D23/28
D. 222,620	11/1971	Callahan, Jr. et al.	D23/29

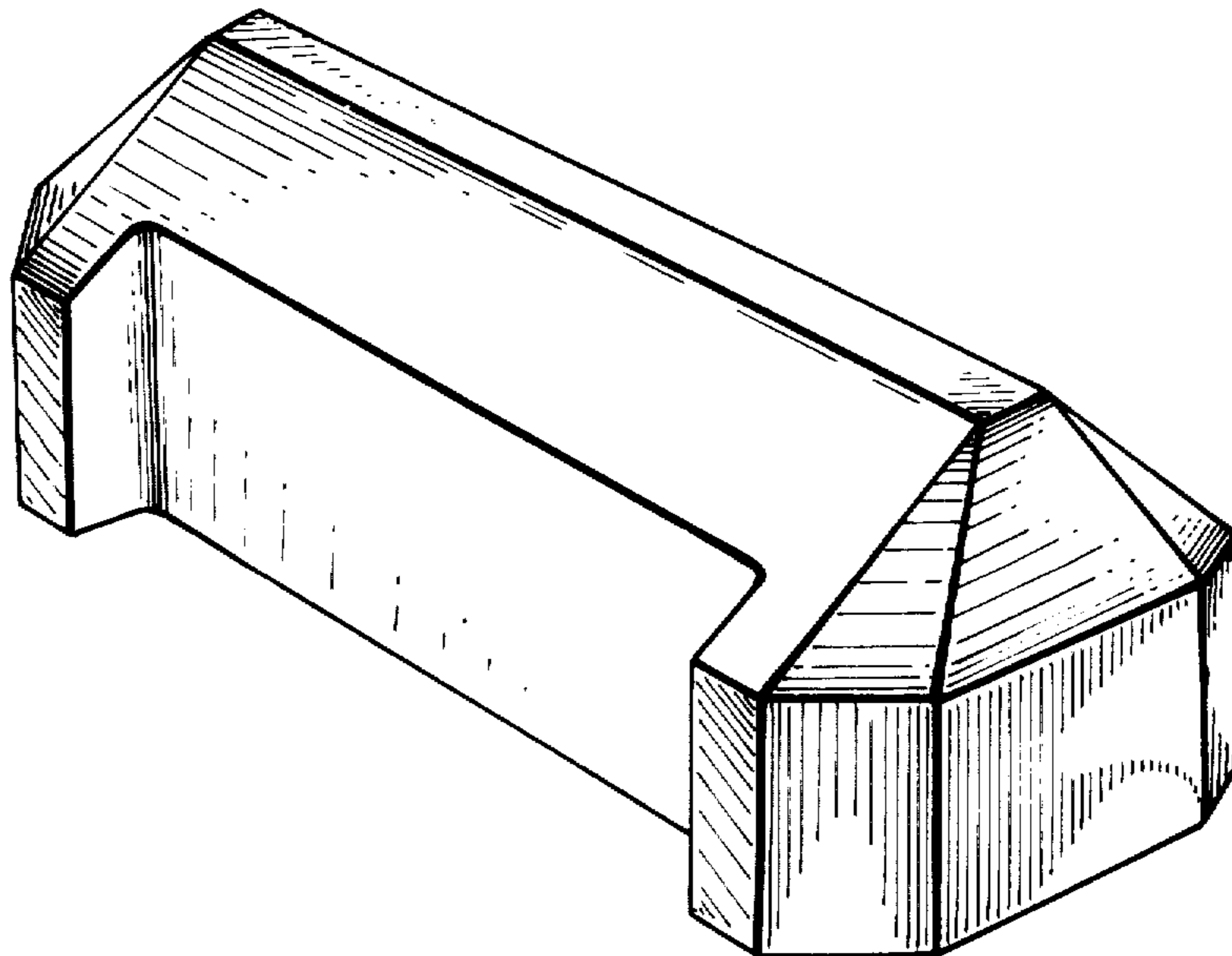
Primary Examiner—James R. Largen
Attorney, Agent, or Firm—John R. Bronaugh

[57] CLAIM

The ornamental design for a valve handle, as shown.

DESCRIPTION

FIG. 1 is a perspective view of a valve handle embodying our new design;
FIG. 2 is a top plan view thereof;
FIG. 3 is a side elevational view thereof; and
FIG. 4 is an end elevational view thereof.



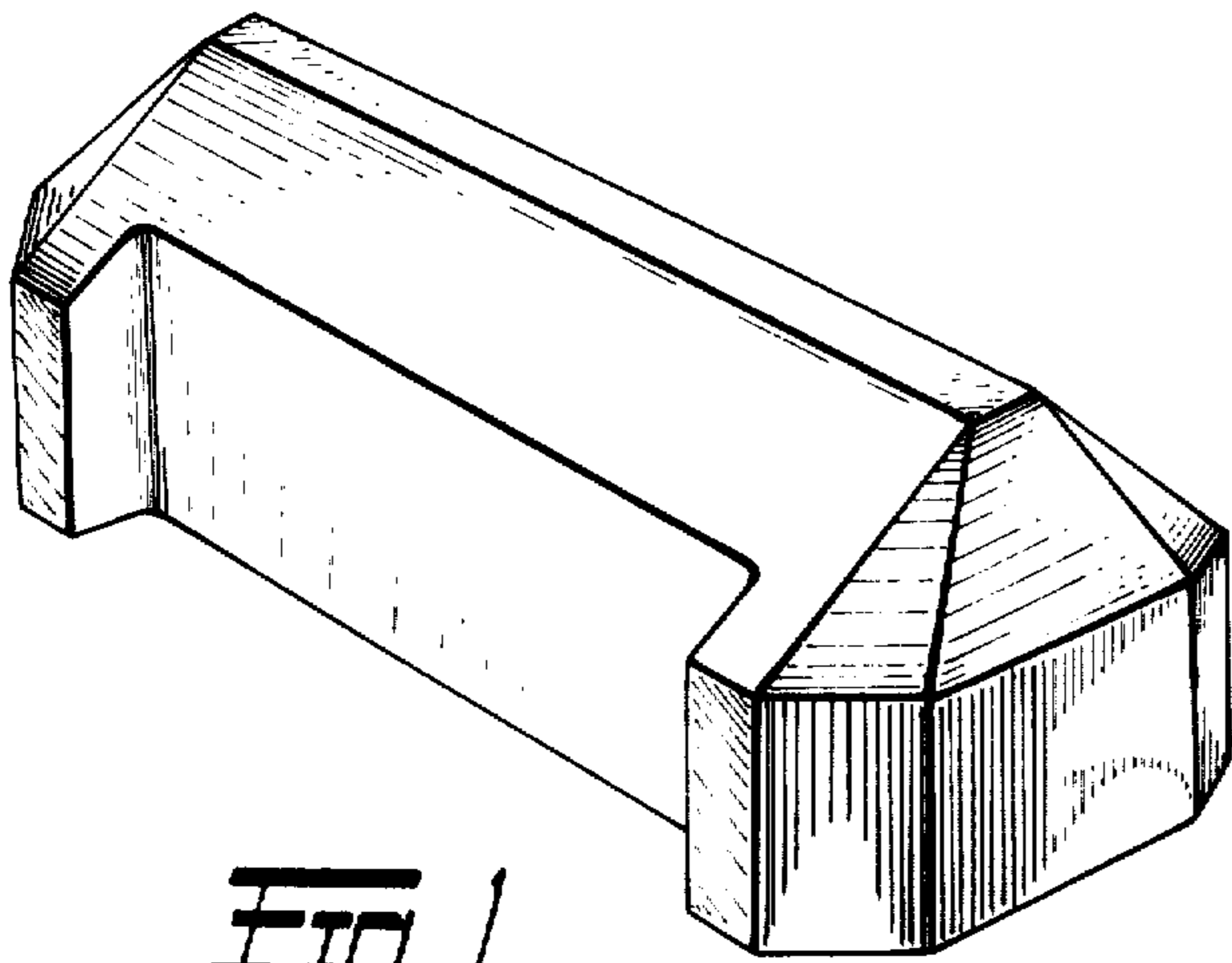


FIG. 1

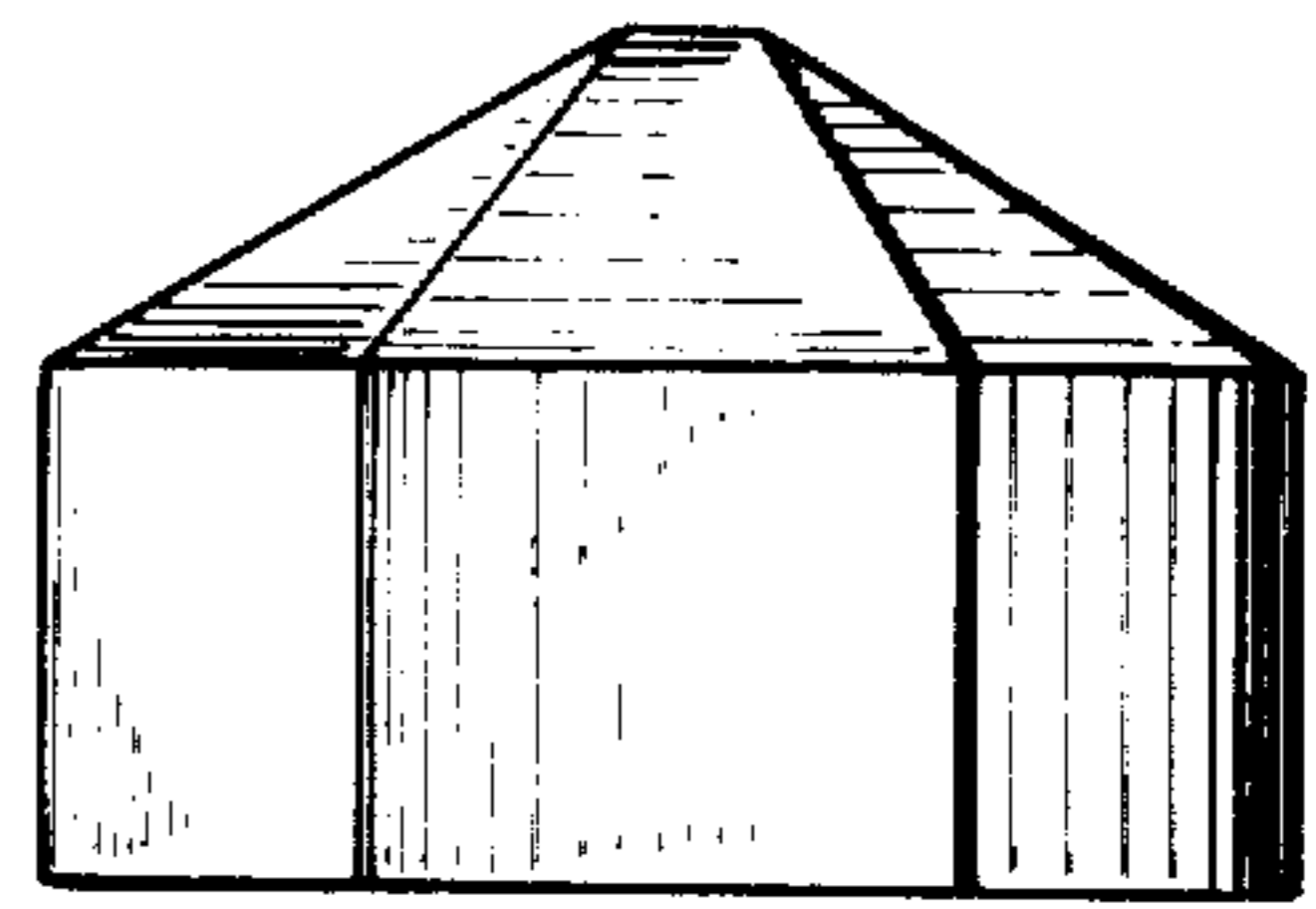


FIG. 4

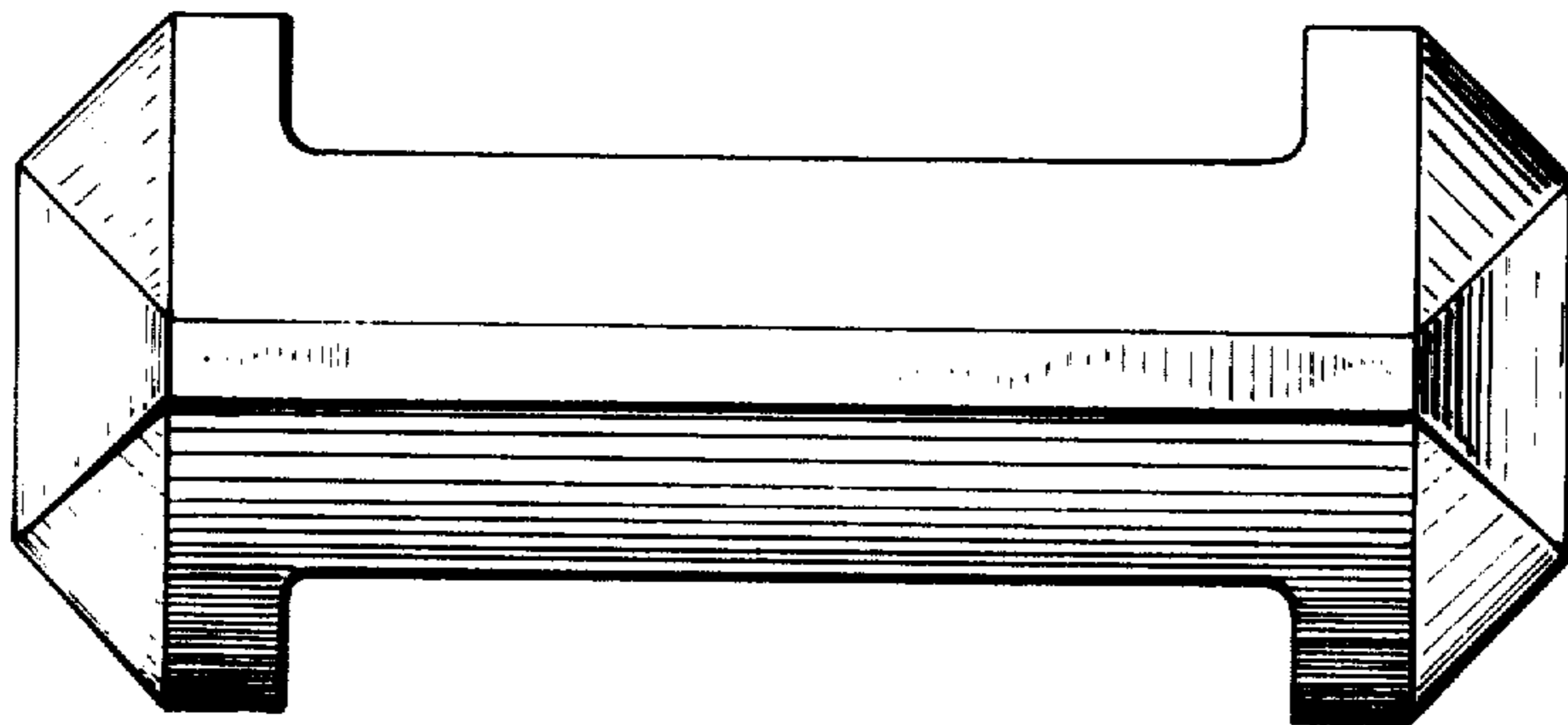


FIG. 2

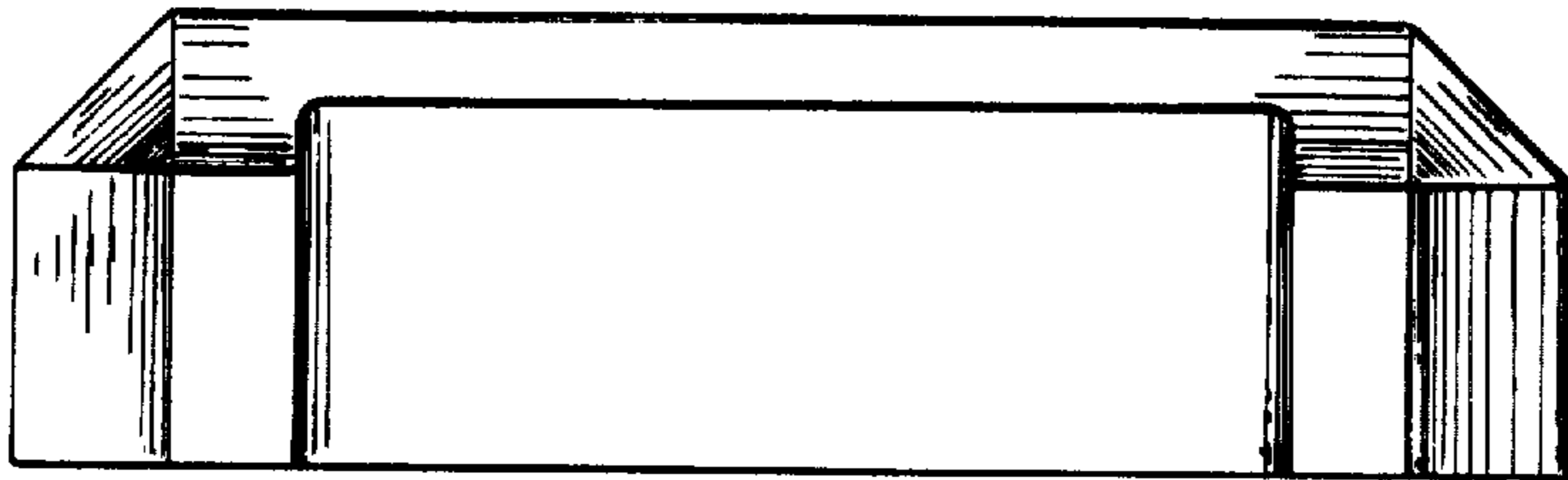


FIG. 3