

[54] **HAND-HELD UNDERWATER PROPULSION DEVICE**

[75] Inventor: **Andrew R. Henning**, Richland, Mich.

[73] Assignee: **Shakespeare Company**, Columbia, S.C.

[**] Term: **14 Years**

[21] Appl. No.: **615,564**

[22] Filed: **Sept. 22, 1975**

[51] Int. Cl. **D12-06**

[52] U.S. Cl. **D12/65**

[58] Field of Search **D12/65; D34/43, 42, D34/41; 114/16 A**

[56] **References Cited**

U.S. PATENT DOCUMENTS

D. 220,926 6/1971 Peroni D12/65
D. 221,261 7/1971 Tallarico D12/65

Primary Examiner—Alan P. Douglas
Attorney, Agent, or Firm—E. R. Hamilton

[57] **CLAIM**

The ornamental design for a hand-held underwater propulsion device, as shown and described.

DESCRIPTION

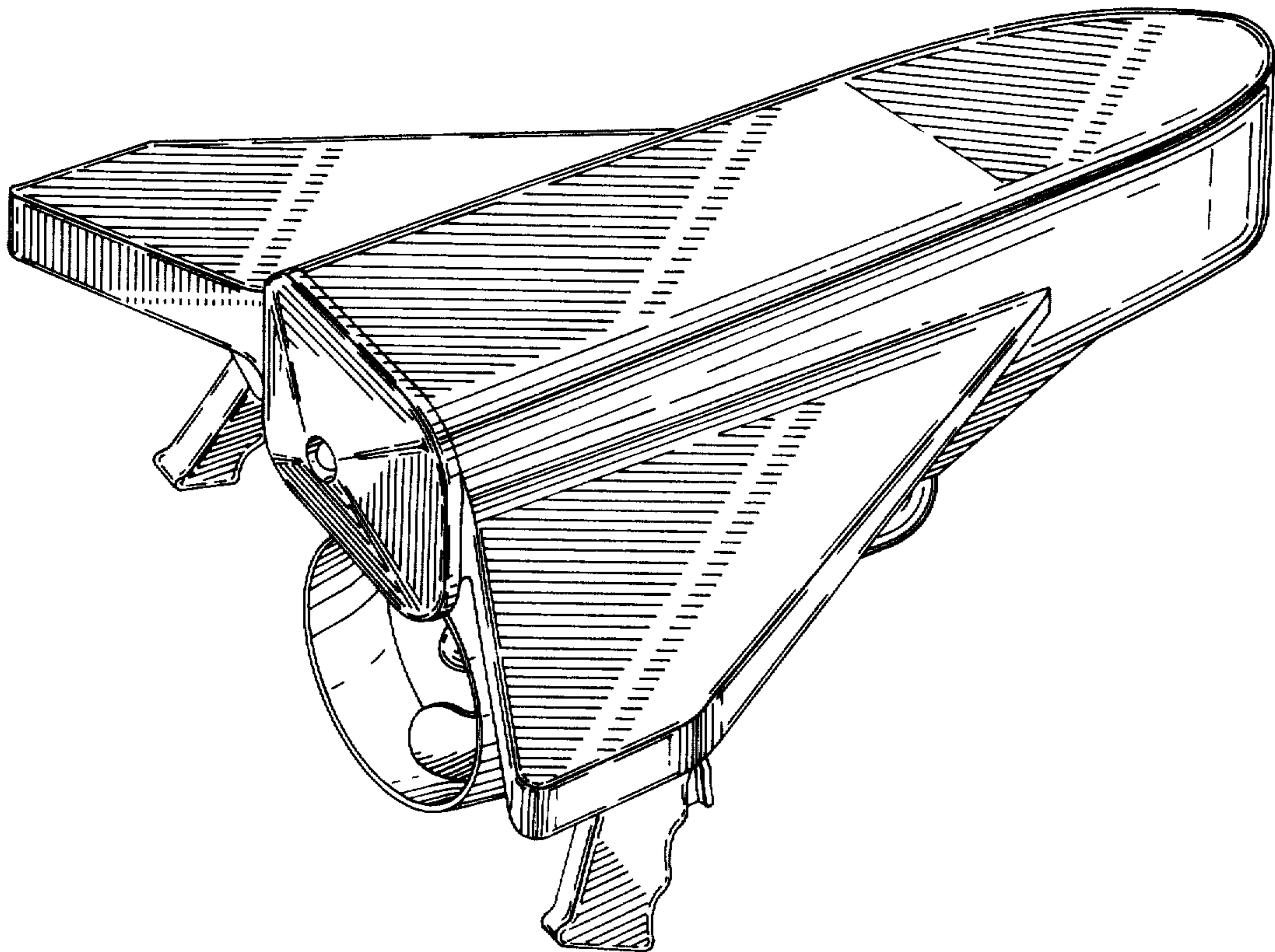
FIG. 1 is a perspective view of a hand-held underwater propulsion device embodying my new design.

FIG. 2 is a rear elevational view thereof.

FIG. 3 is a front elevational view thereof.

FIG. 4 is a bottom plan view thereof.

The opposite side from the near side shown in FIG. 1 is a mirror image of the near side.



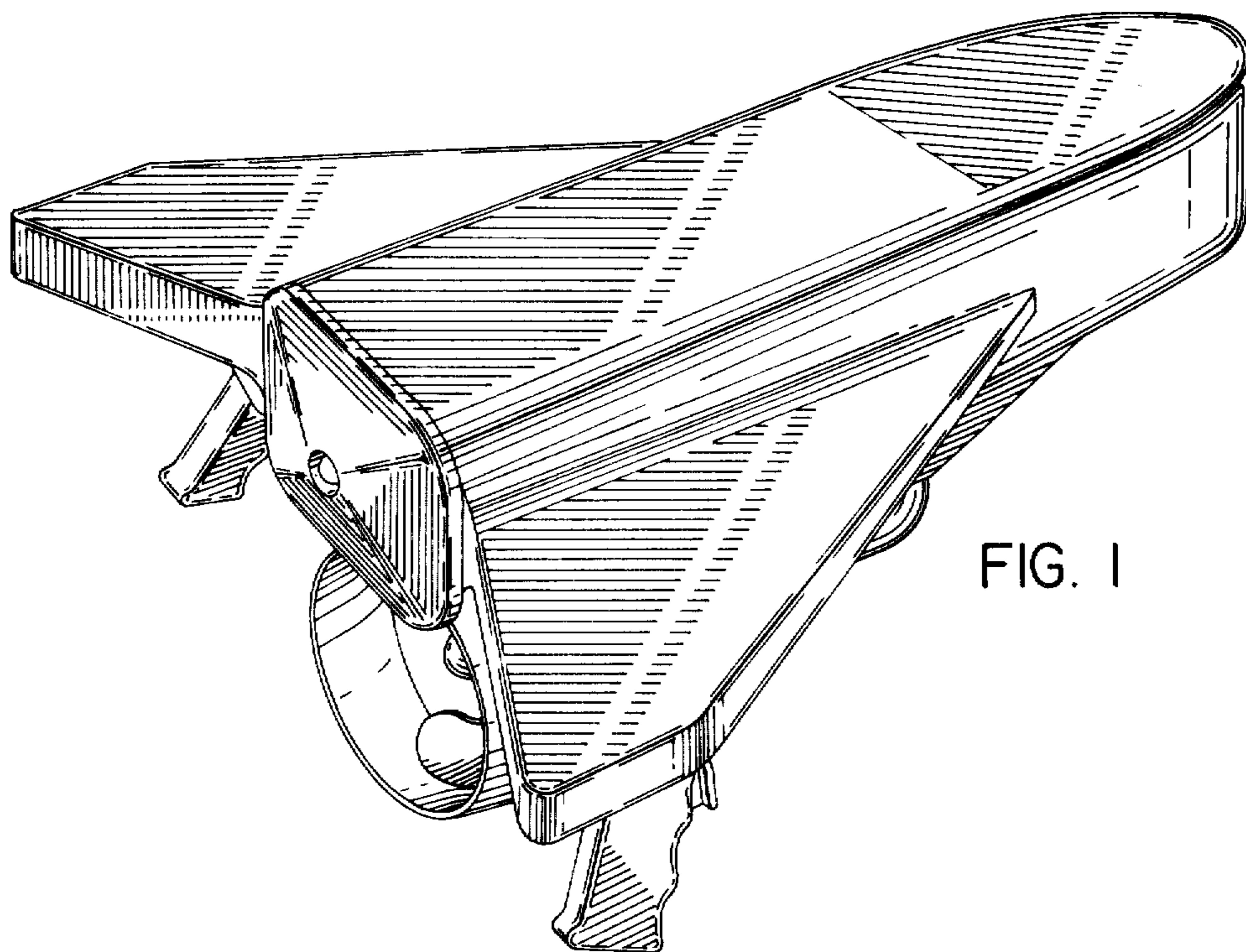


FIG. 1

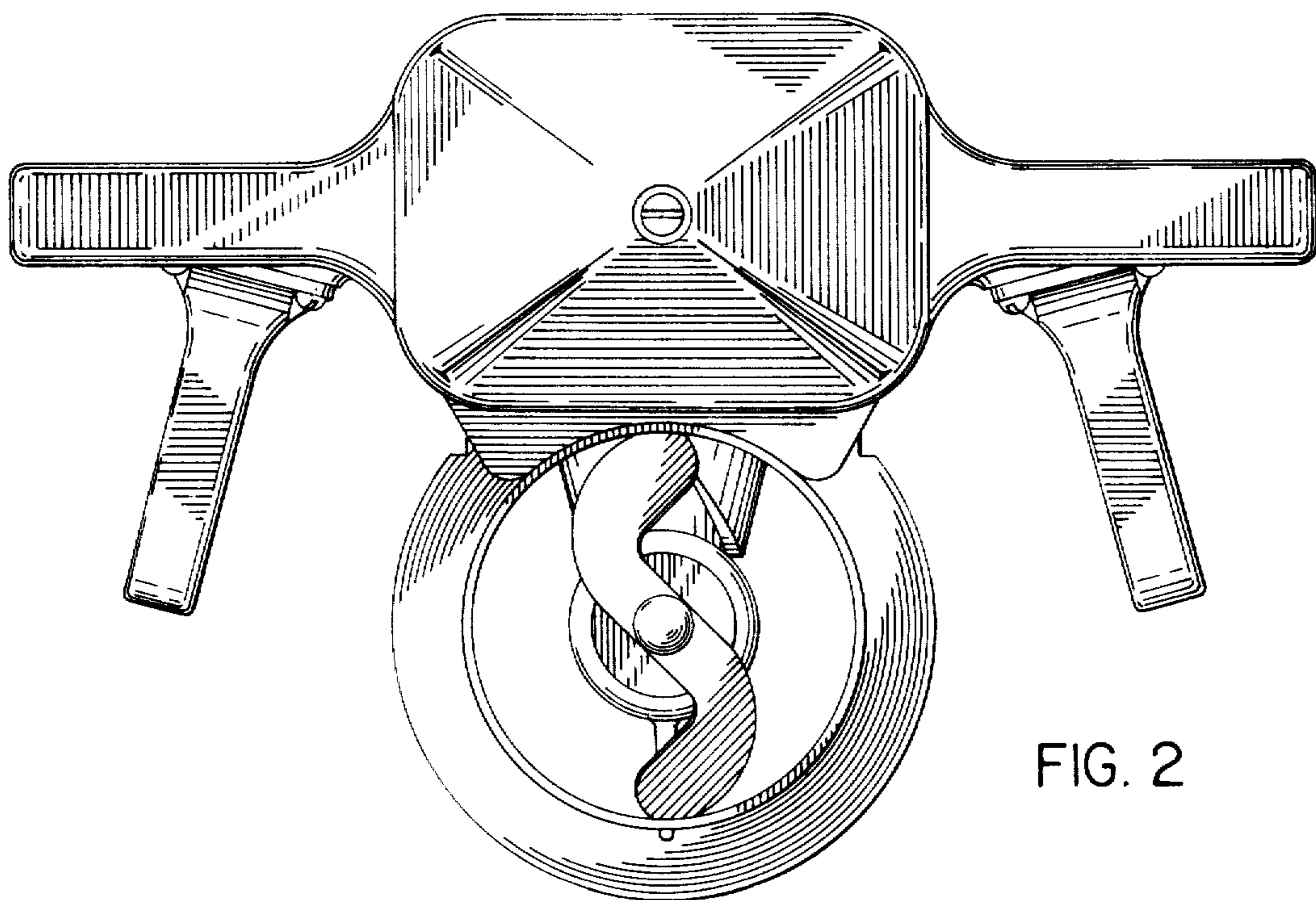


FIG. 2

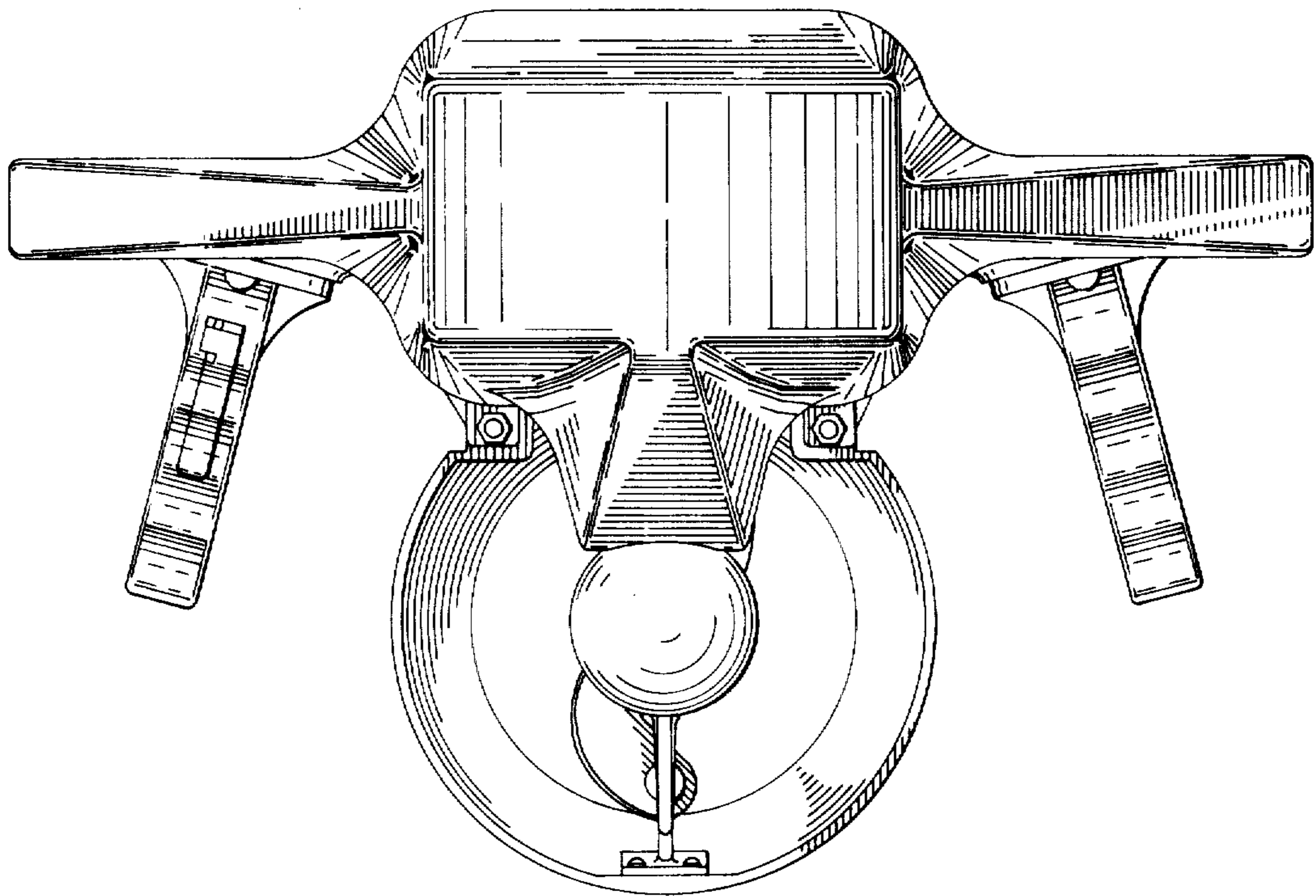


FIG. 3

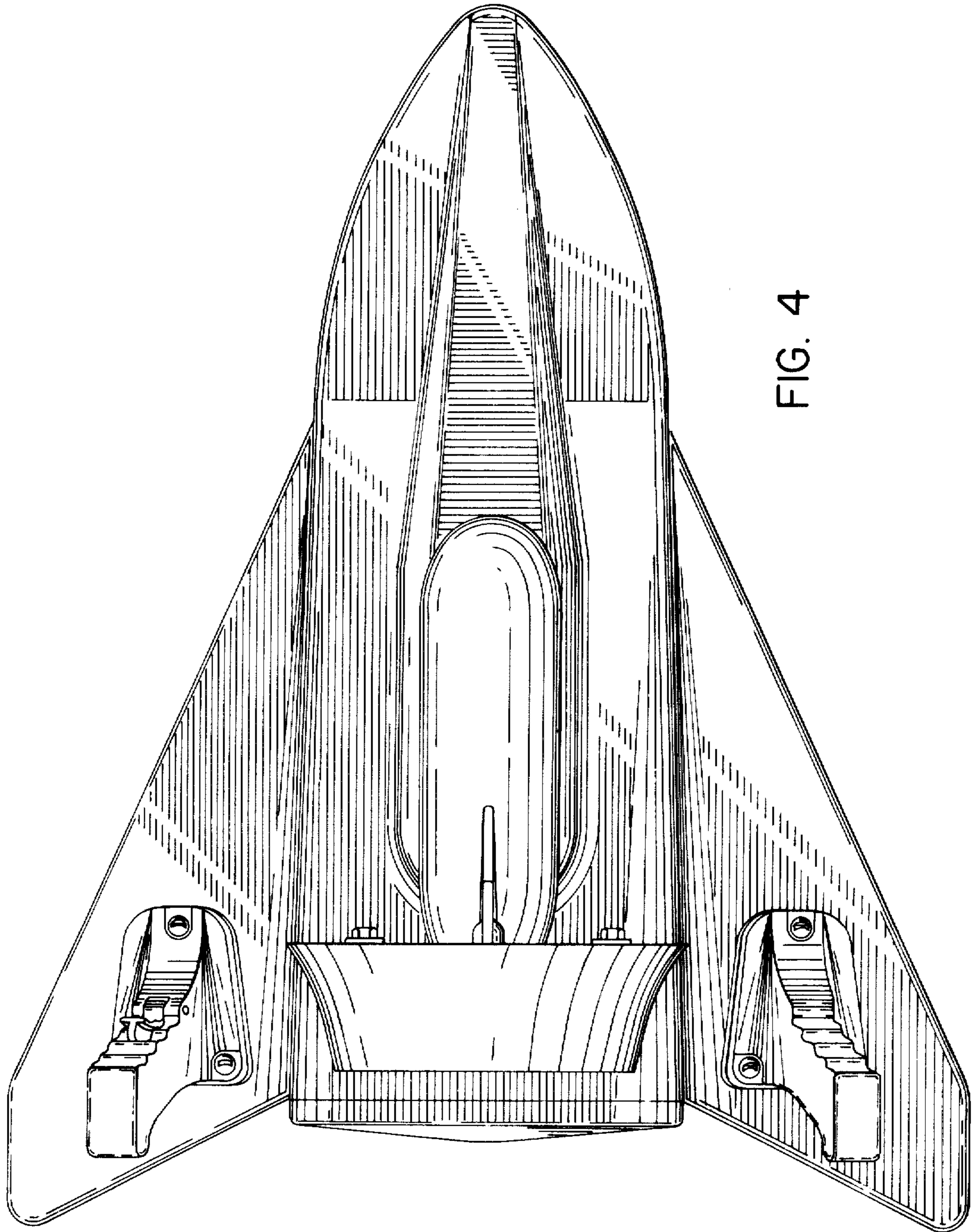


FIG. 4