

[54] BOAT TRAILER TONGUE SUPPORT OR THE LIKE

[76] Inventor: James W. Prather, Marcum, Ky. 40963

[**] Term: 14 Years

[21] Appl. No.: 590,387

[22] Filed: June 25, 1975

[51] Int. Cl. D12-05

[52] U.S. Cl. D12/55

[58] Field of Search D12/55; 248/351, 352; 254/86 R

[56] References Cited

U.S. PATENT DOCUMENTS

2,487,827	11/1949	Persson	D12/55
D. 215,746	10/1969	Hunnicut et al.....	D12/55

Primary Examiner—Wallace R. Burke
Assistant Examiner—James M. Gandy
Attorney, Agent, or Firm—George H. Baldwin

[57] CLAIM

The ornamental design for boat trailer tongue support or the like, substantially as shown.

DESCRIPTION

FIG. 1 is a rear elevational view of the boat trailer tongue support showing my new design; FIG. 2 is a right side elevational view thereof; FIG. 3 is a top view thereof; FIG. 4 is a bottom view thereof; FIG. 5 is a cross-sectional view taken along line 5—5 of FIG. 1; FIG. 6 is a fragmentary cross-sectional view on an enlarged scale taken along line 6—6 of FIG. 5; and FIG. 7 is a fragmentary cross-sectional view on an enlarged scale taken along line 7—7 of FIG. 3.

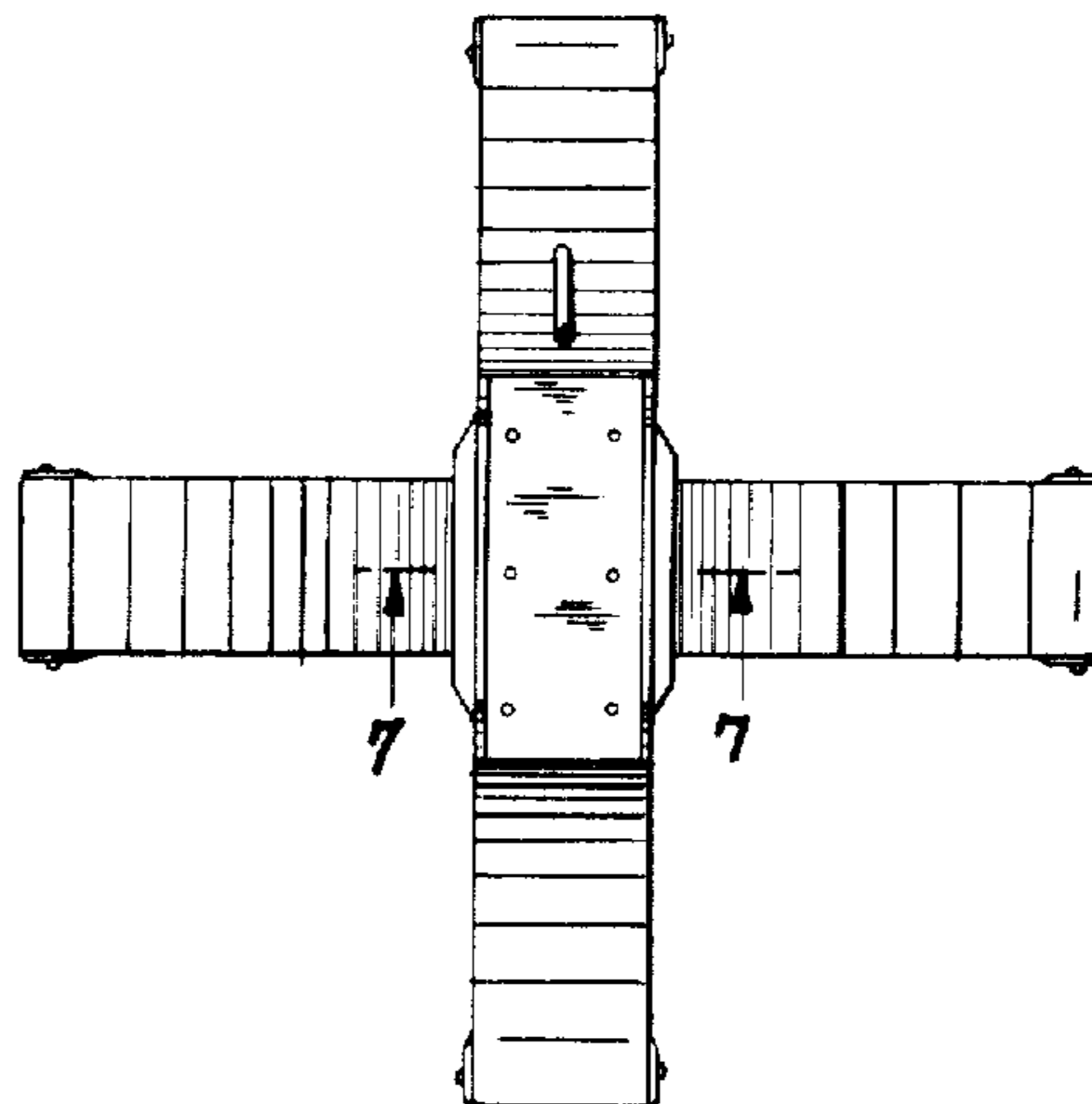
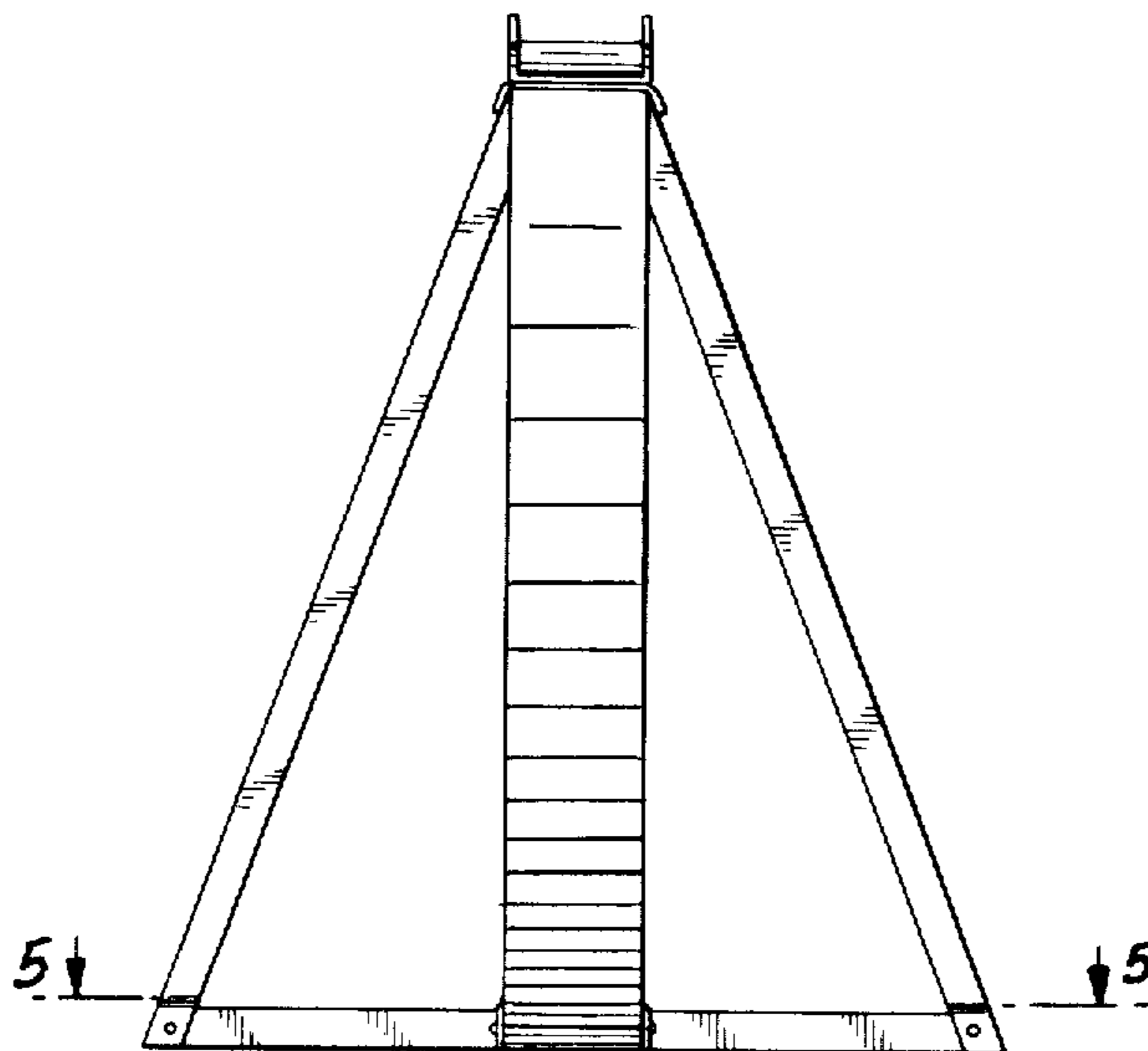


FIG. 1

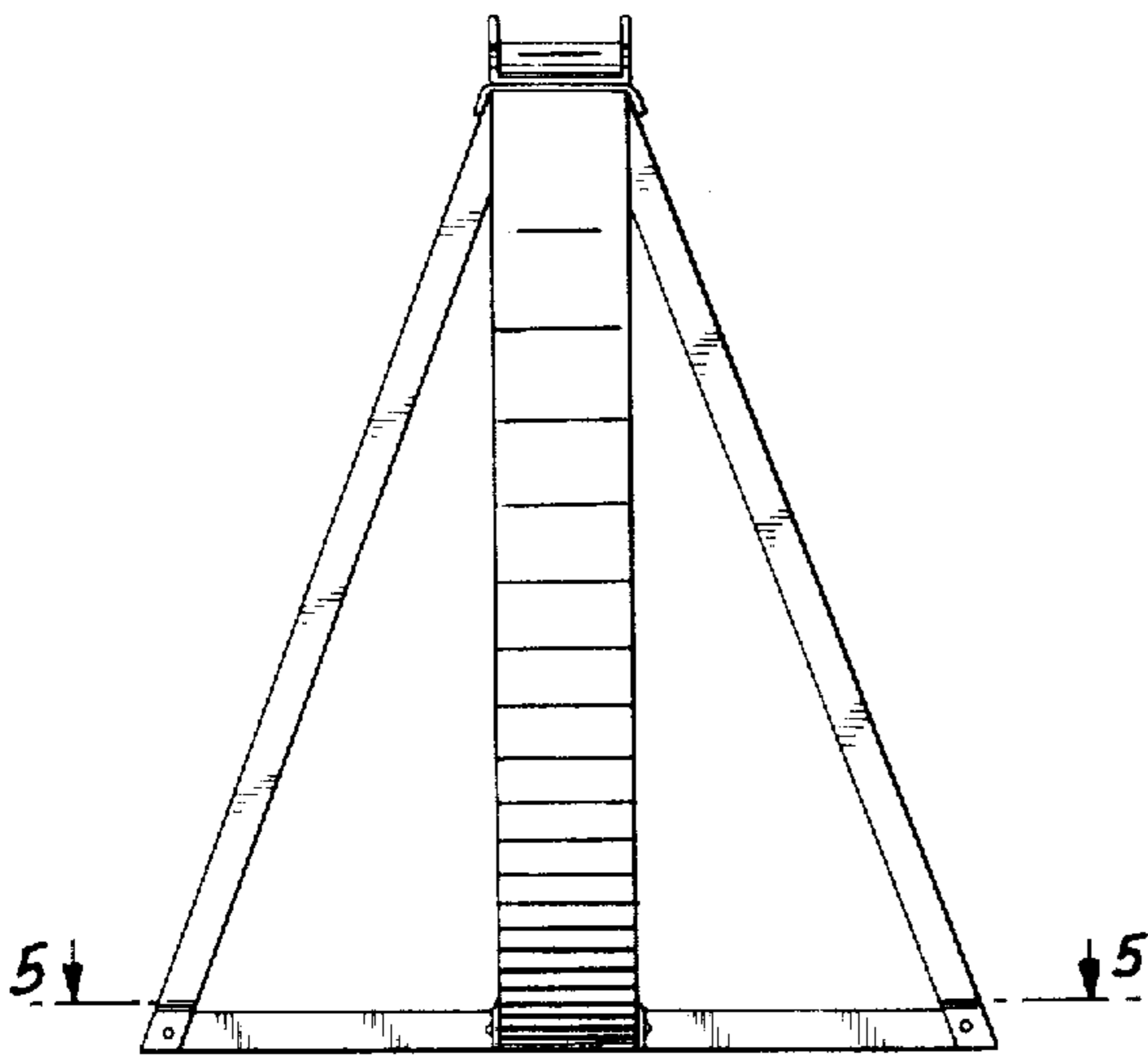


FIG. 2

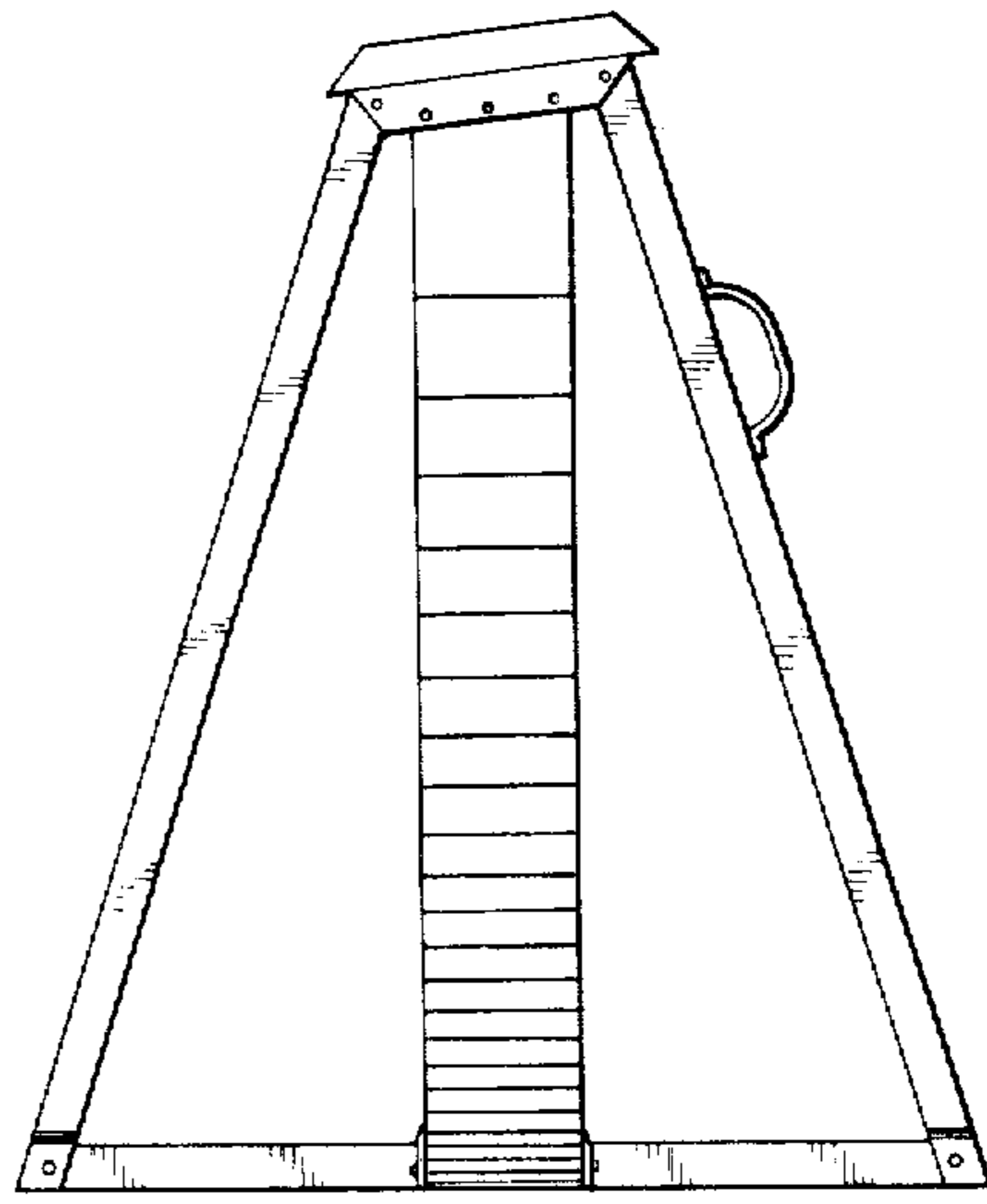


FIG. 3

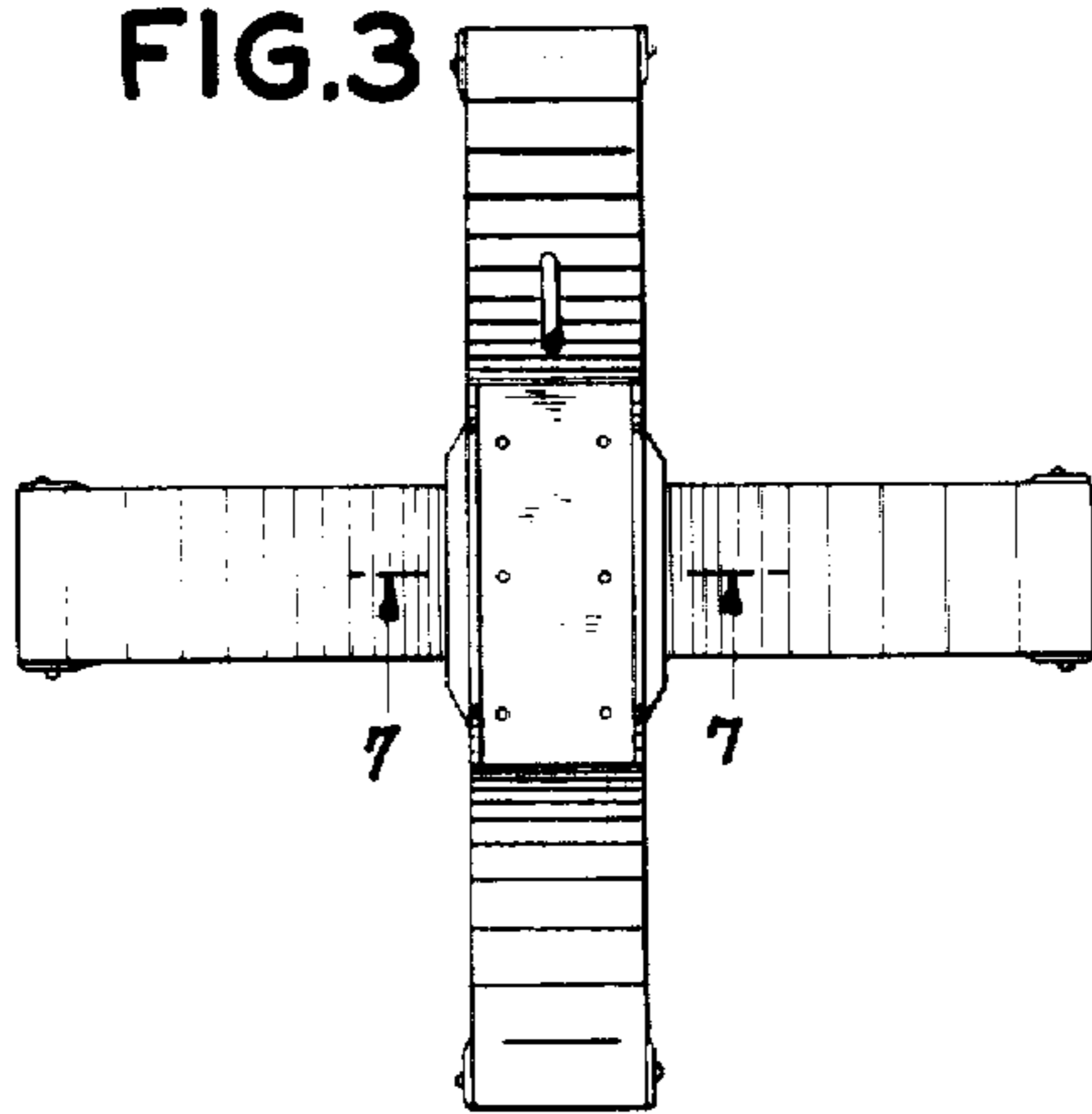


FIG. 4

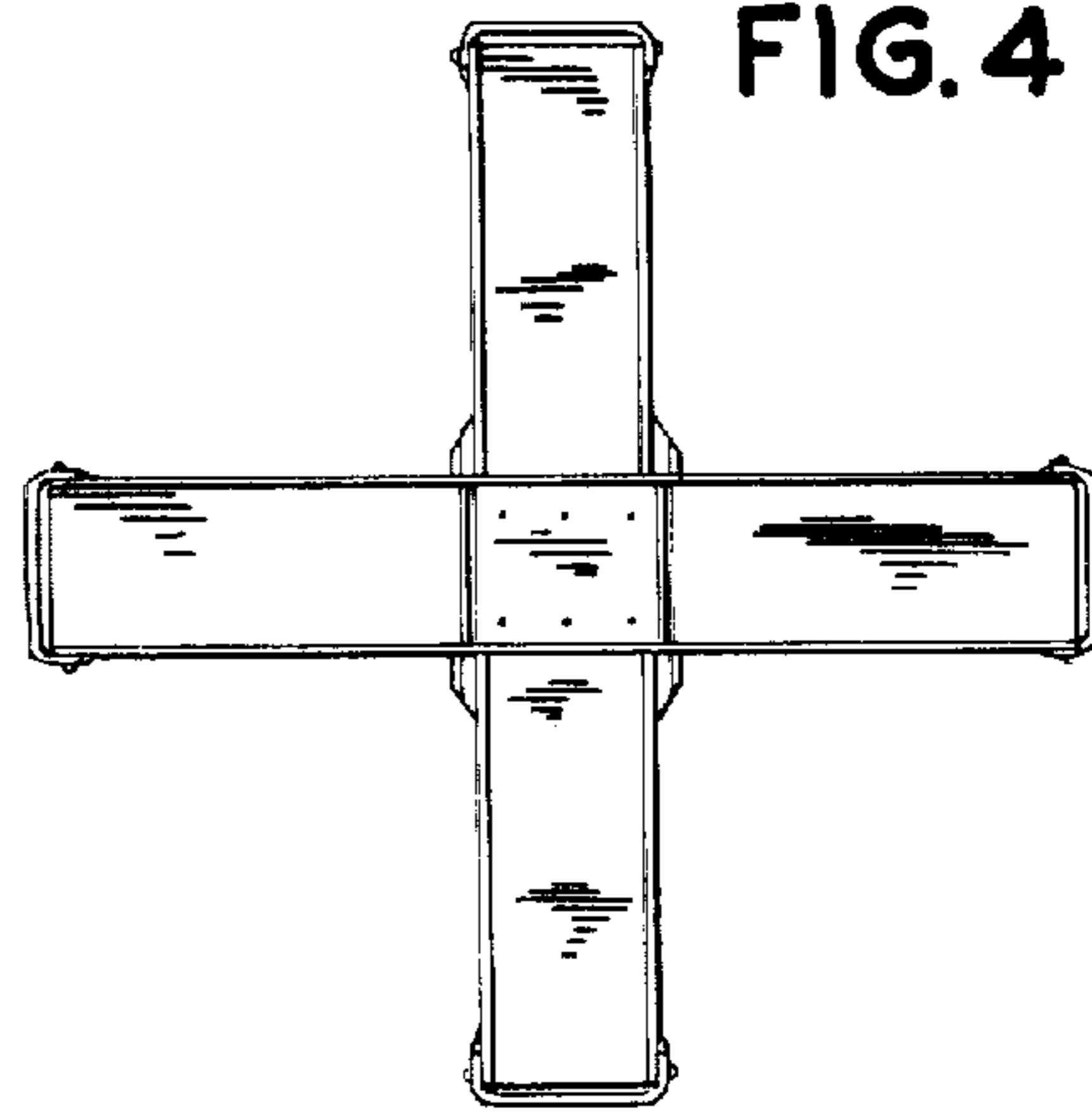


FIG. 6

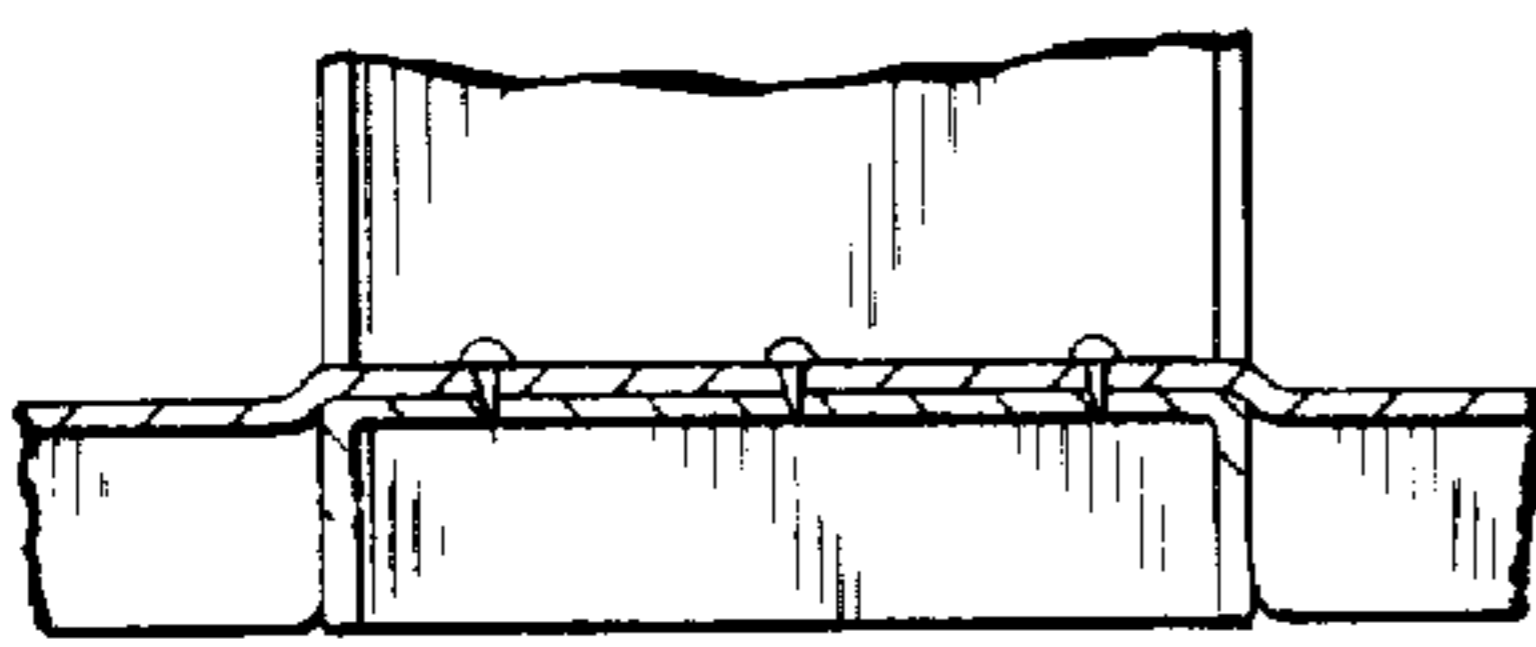


FIG. 5

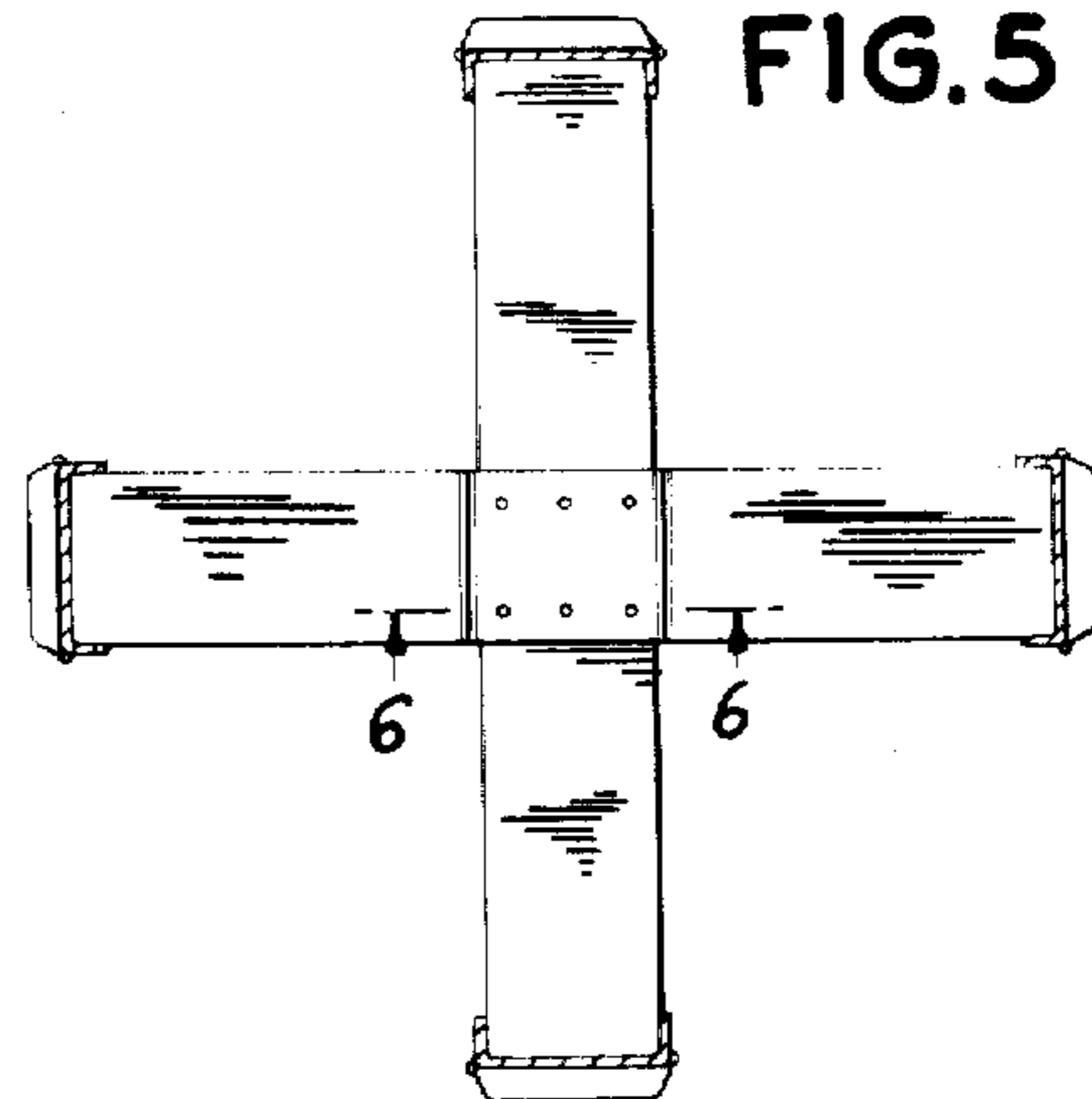


FIG. 7

