

[54] SAIL VEHICLE
 [76] Inventor: **Randy Schlitter**, 1308 Main, Hays, Kans. 67601
 [**] Term: **14 Years**
 [21] Appl. No.: **614,003**
 [22] Filed: **Sept. 17, 1975**
 [51] Int. Cl. **D12-13**
 [52] U.S. Cl. **D12/1**
 [58] Field of Search D12/1, 108, 112; 280/213, 214, 8, 29; 180/2; 114/43

D. 214,785 7/1969 Rypinski D12/1
 D. 219,372 12/1970 Levy D12/1

Primary Examiner—Susie J. Mercer
Assistant Examiner—James M. Gandy
Attorney, Agent, or Firm—Claude A. Fishburn

[56] **References Cited**
U.S. PATENT DOCUMENTS

D. 77,669 2/1929 Carlson D12/112
 D. 149,543 5/1948 Ely, Jr. et al D12/1

[57] **CLAIM**
 The ornamental design for a sail vehicle, as shown.

DESCRIPTION

FIG. 1 is a perspective view of a sail vehicle embodying my design.
 FIG. 2 is a top plan view thereof.
 FIG. 3 is a front elevational view thereof.
 FIG. 4 is a side elevational view thereof.
 FIG. 5 is a rear elevational view thereof.

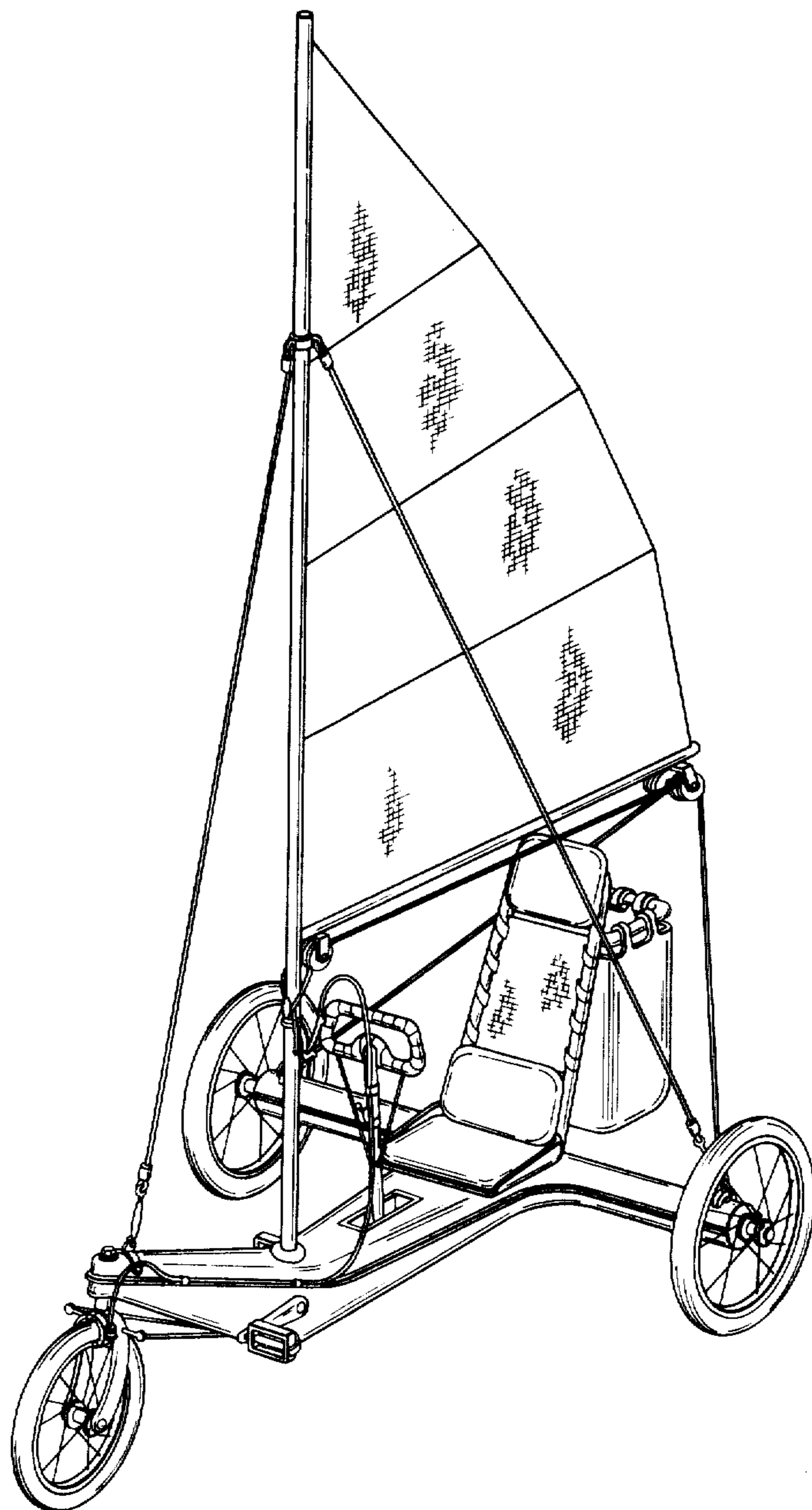


Fig. 1.

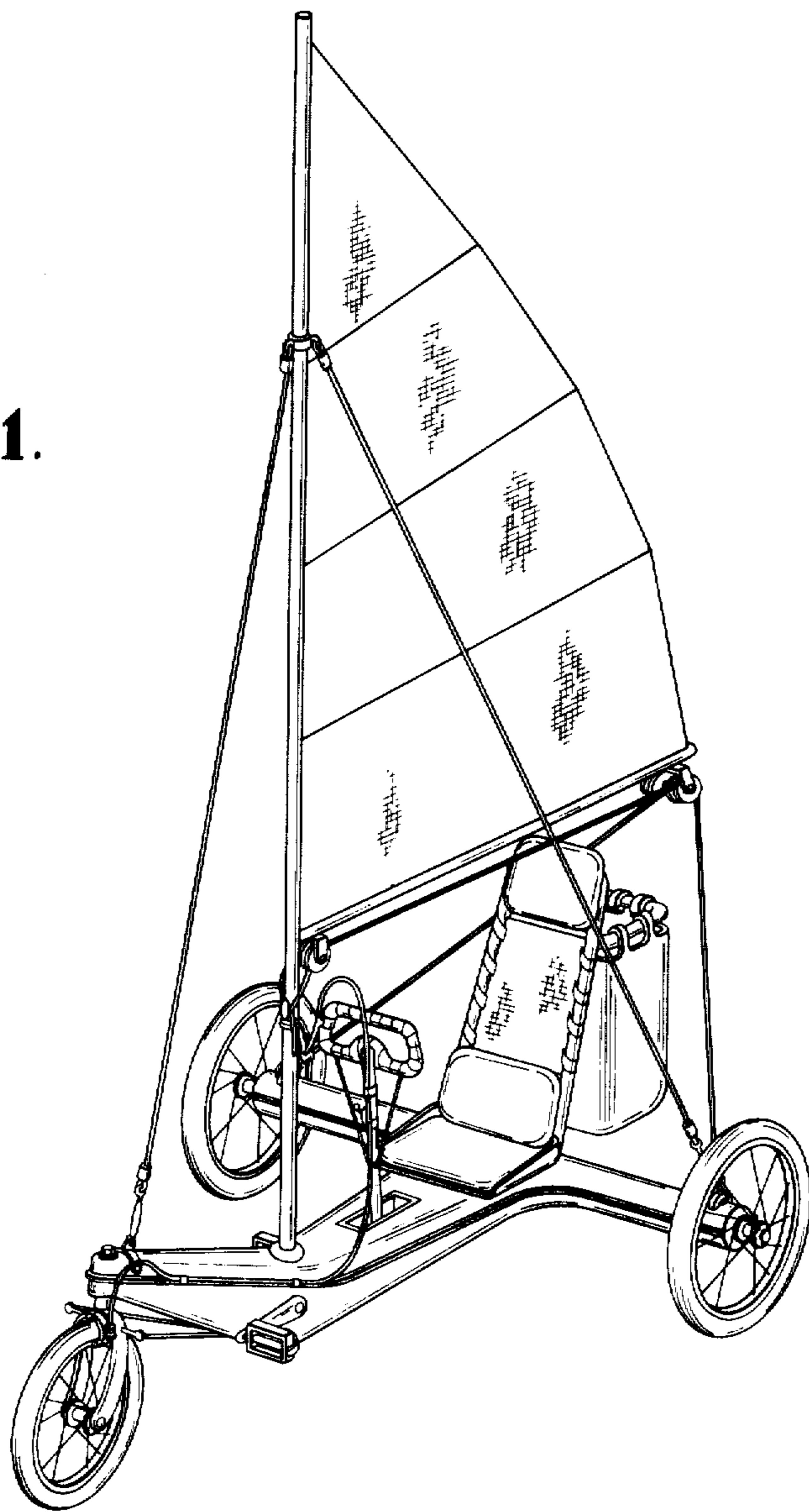


Fig. 2.

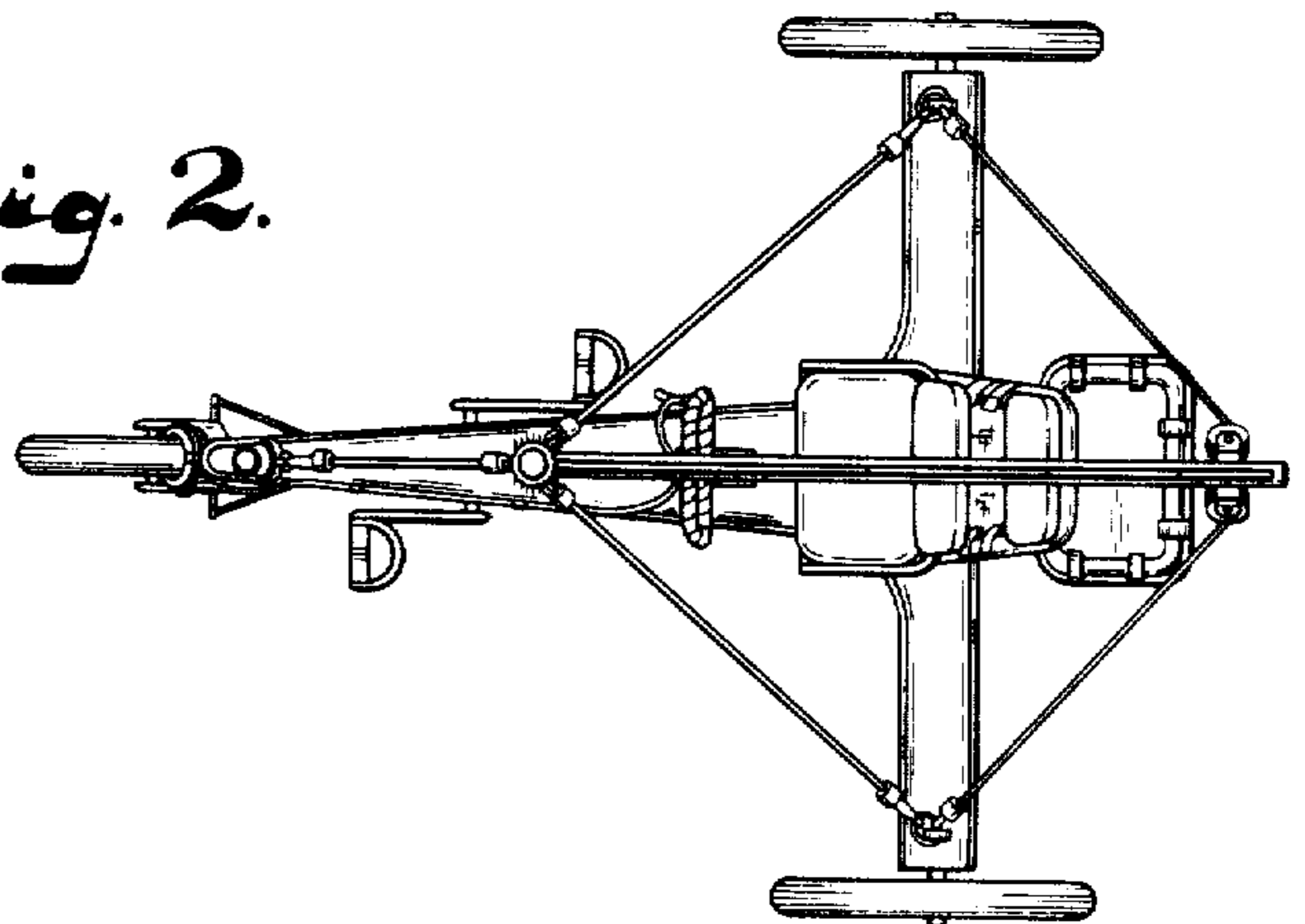


Fig. 4.

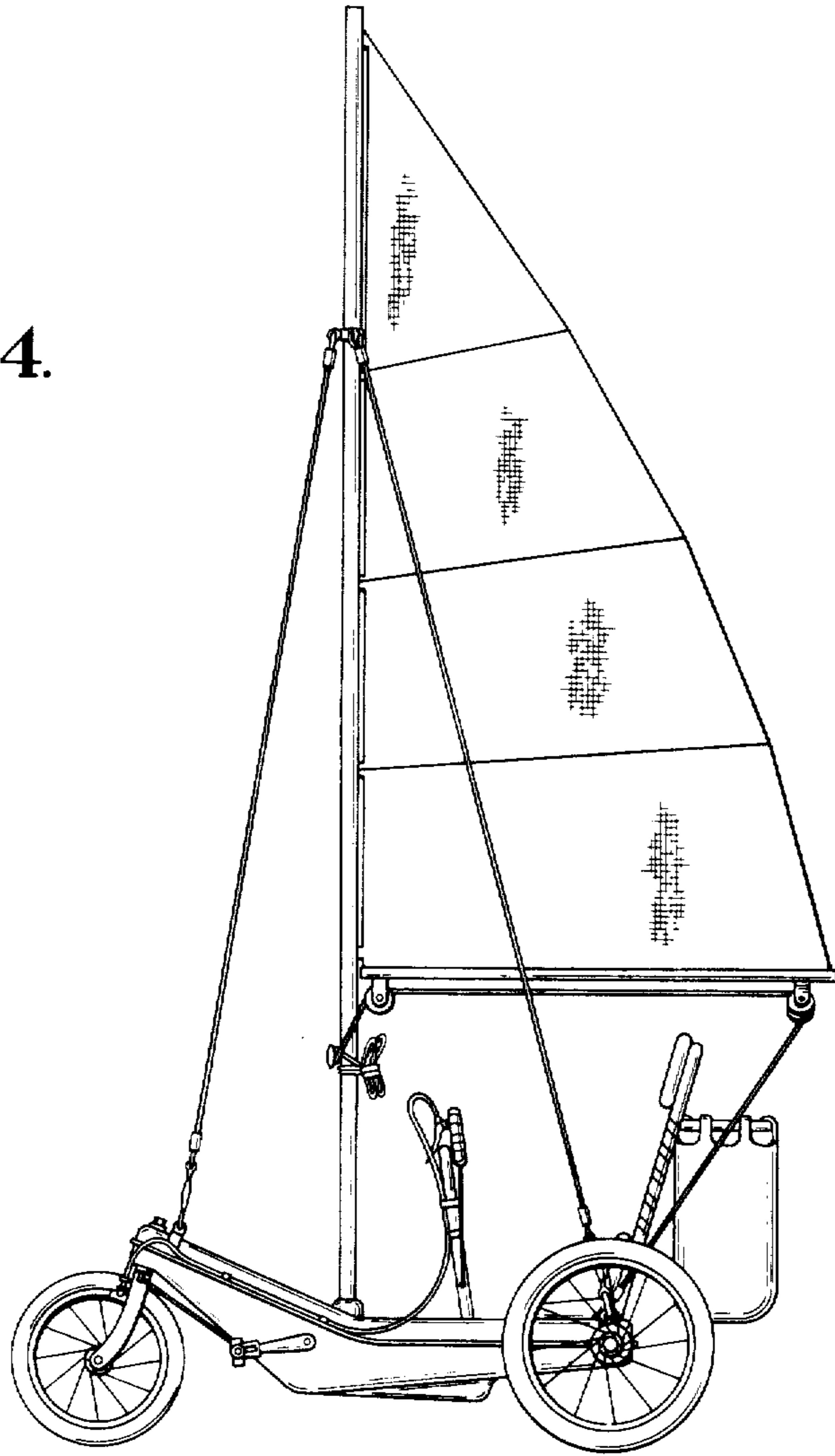


Fig. 3.

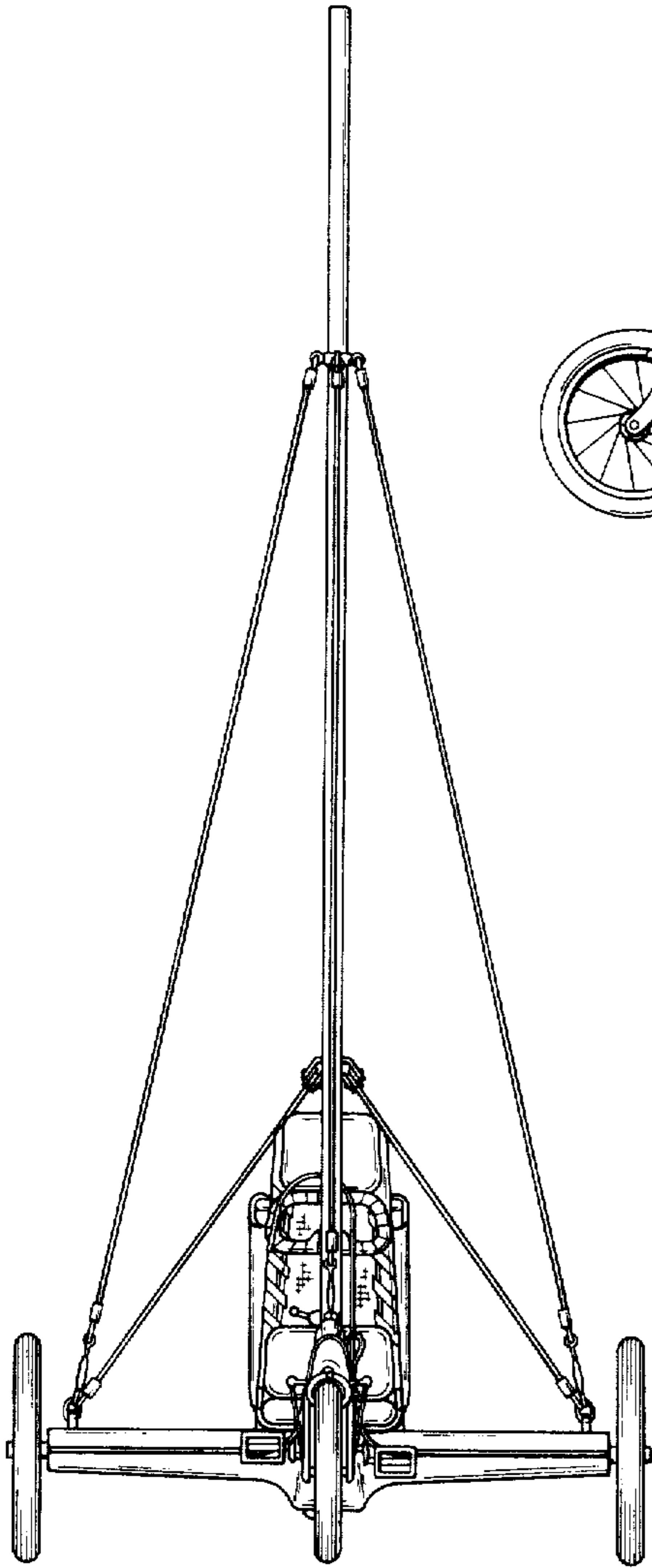


Fig. 5.

