

[54] HEIGHT GAGE

[75] Inventors: **Roberto Lucci; Paolo Orlandini**, both of Milan, Italy

[73] Assignee: **Terraillon**, Annemasse, Haute-Savoie, France

[**] Term: **14 Years**

[21] Appl. No.: **596,632**

[22] Filed: **July 17, 1975**

[30] Foreign Application Priority Data

Feb. 3, 1975 Switzerland 60304/75

[51] Int. Cl. **D10-04**

[52] U.S. Cl. **D10/71**

[58] Field of Search **D10/61-62, D10/64-65, 70-74, 71; 33/138, 169 R**

[56]

References Cited

U.S. PATENT DOCUMENTS

748,094	12/1903	Parker	33/138
2,241,979	5/1941	Case	D10/70
2,728,143	12/1955	Buchet	33/138
3,808,692	5/1974	Gartner	33/138
D. 152,838	2/1949	Stephen	D10/62

Primary Examiner—Nelson C. Holtje
Attorney, Agent, or Firm—Tab T. Thein

[57]

CLAIM

The ornamental design for a height gage, as shown and described.

DESCRIPTION

FIG. 1 is a top left front perspective view of a height gage showing our new design in an open position;
FIG. 2 is a top left front perspective view thereof in a closed position;
FIG. 3 is a bottom right rear perspective view thereof in a closed position.

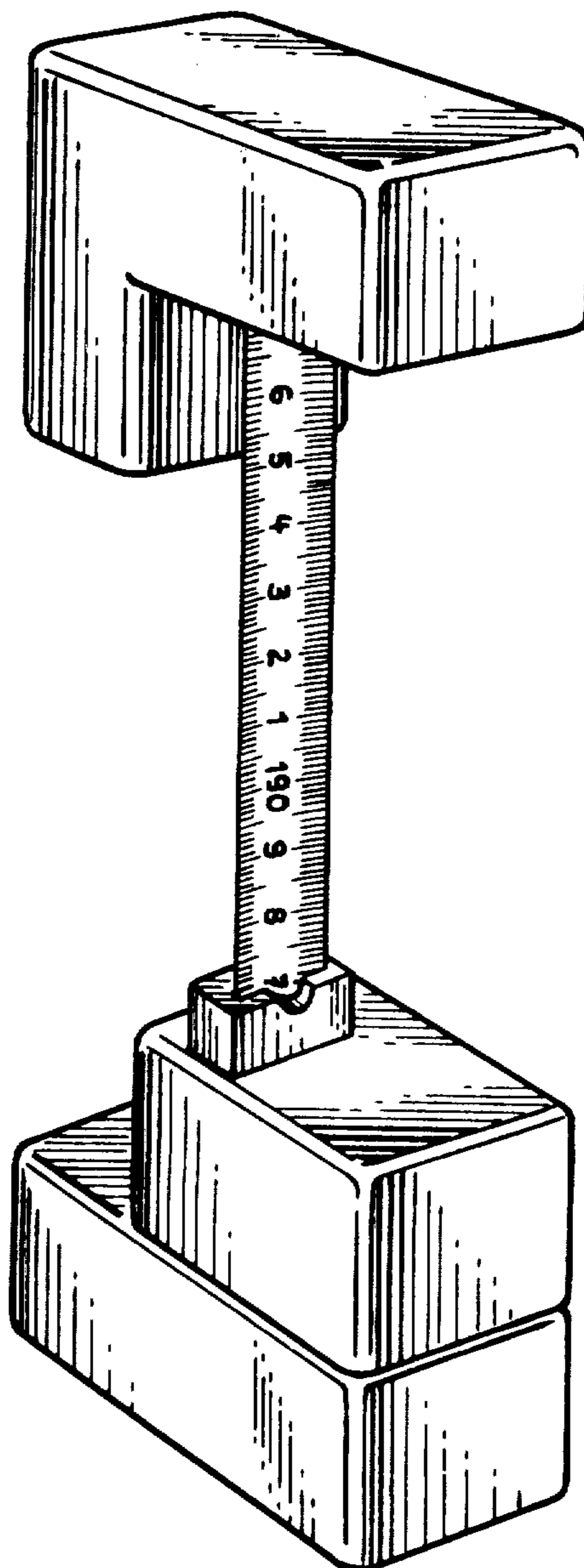


FIG. 1

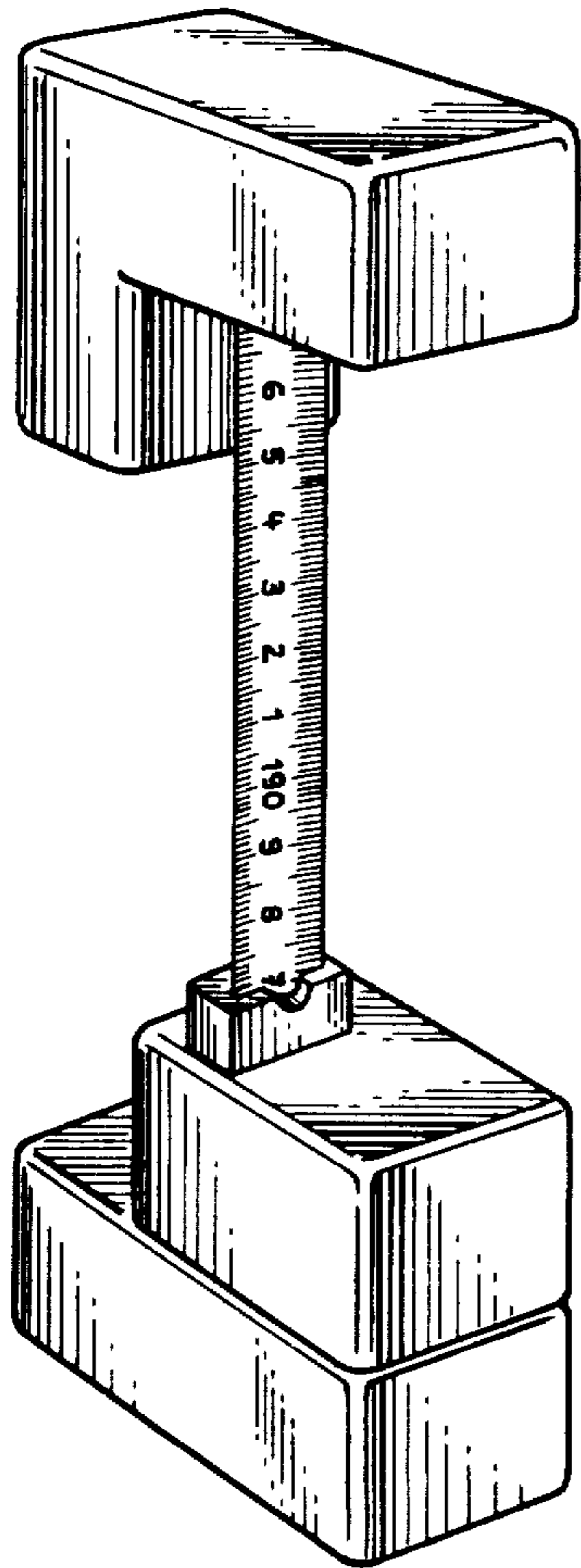


FIG. 2

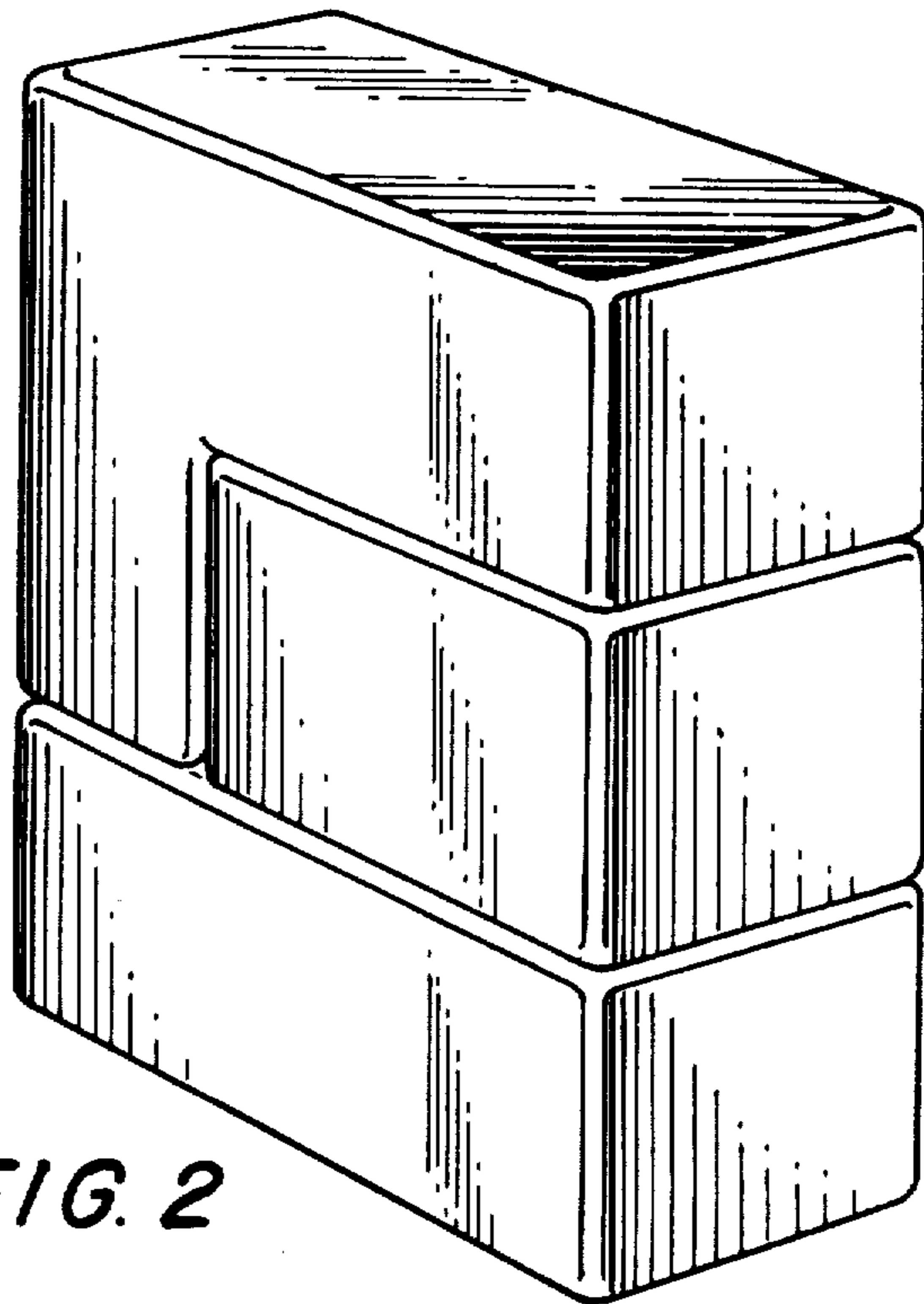


FIG. 3

