

- [54] **COMBINED LIGHT INTENSITY AND MOISTURE CONTENT INDICATOR**
- [76] Inventor: **Gerald D. Horton**, 1012 Mammoth Way, Placentia, Calif. 92670
- [\*\*] Term: **14 Years**
- [21] Appl. No.: **576,161**
- [22] Filed: **May 9, 1975**
- [51] Int. Cl. .... **D10-04**
- [52] U.S. Cl. .... **D10/53**
- [58] Field of Search ..... D10/534; D10/51-57, D10/46, 75, 80; 73/335, 336; 324/61, 61 P, 65, 157, 149

3,412,325	11/1968	Soderling	.....	324/65 R
3,855,863	12/1974	Kuehn	.....	D10/56
D. 232,217	7/1974	Daukert	.....	D10/50

**OTHER PUBLICATIONS**

*Industrial Design*, 6/74, p. 61, Thermometer at Top.  
*Design News*, 5/12/65, p. 48, Elect. Hygrometer at Top.

*Primary Examiner*—Nelson C. Holtje  
*Attorney, Agent, or Firm*—Philip M. Hinderstein

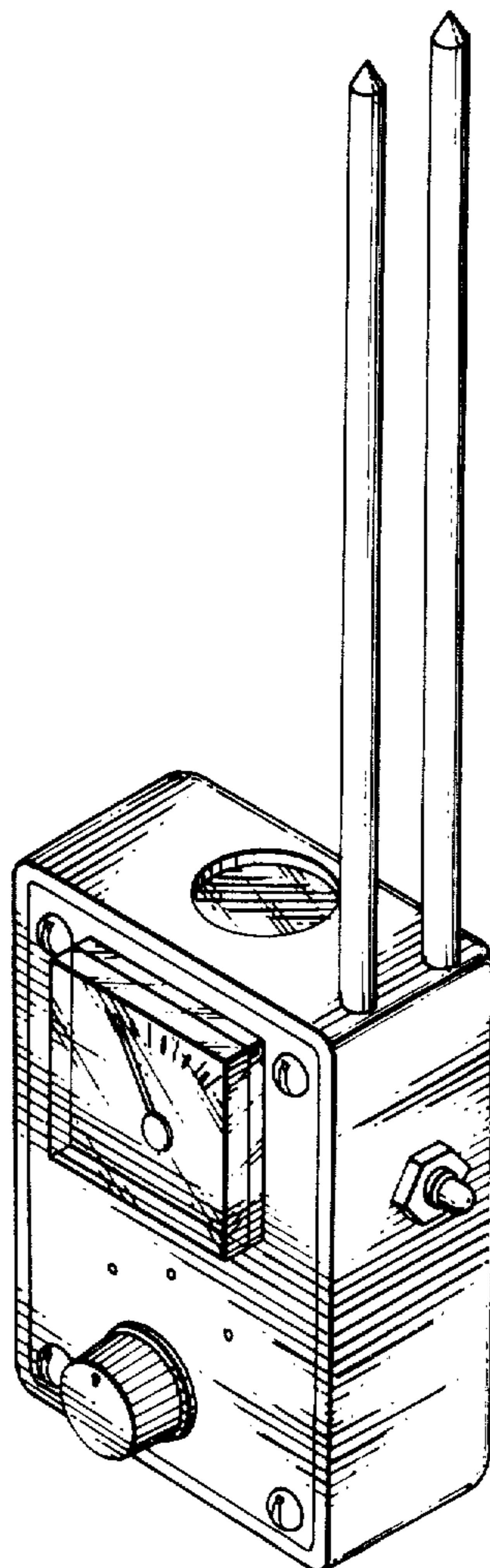
[57] **CLAIM**

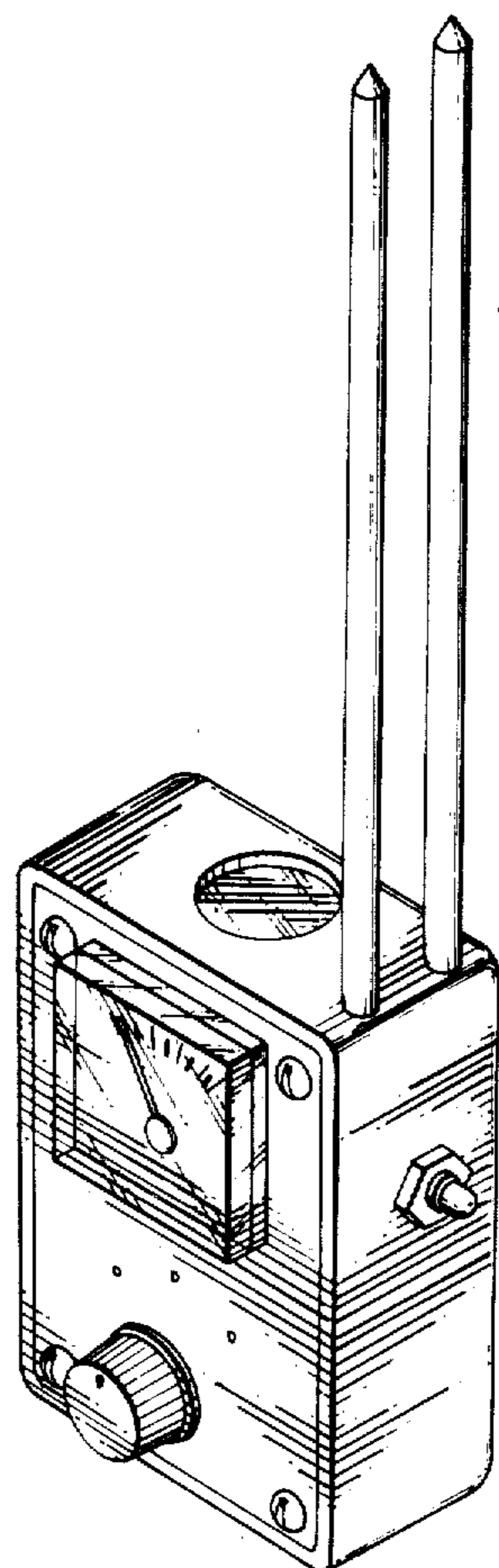
The ornamental design for a combined light intensity and moisture content indicator, as shown.

**DESCRIPTION**

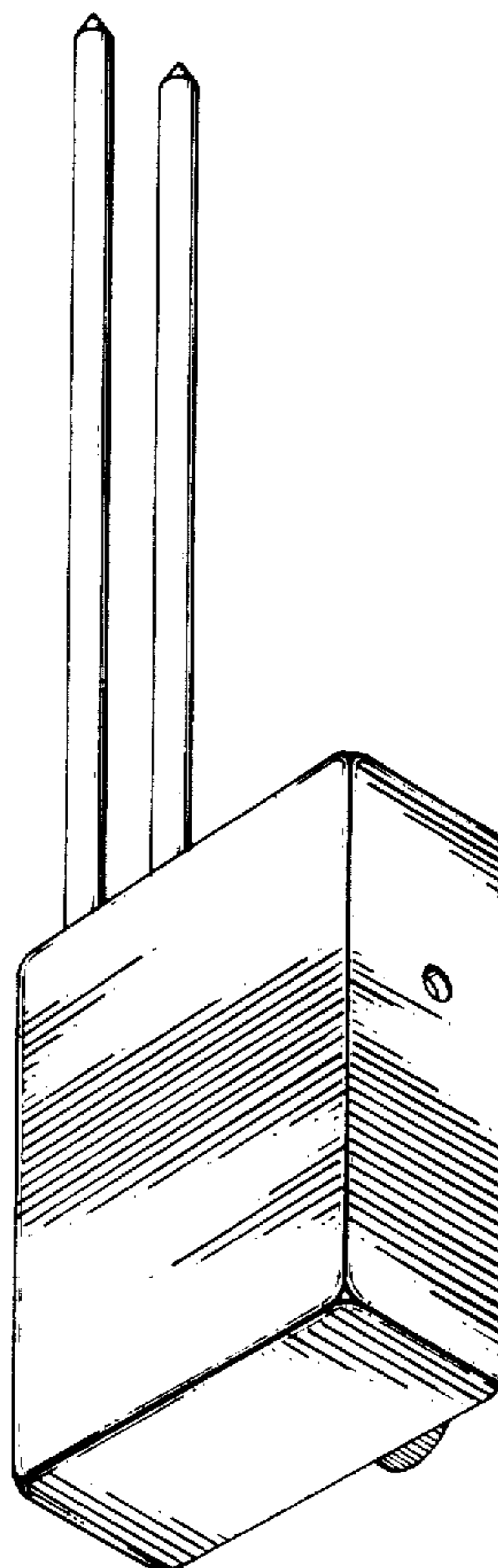
FIG. 1 is a perspective view of a combined light intensity and moisture content indicator showing my new design; and  
FIG. 2 is a rear perspective view thereof.

- [56] **References Cited**
- U.S. PATENT DOCUMENTS**
- 3,343,078 9/1967 Shapiro ..... 324/149
- 3,348,415 10/1967 Ash ..... D10/57





*FIG. 1.*



*FIG. 2.*