

[54] **WINDING DEVICE FOR FLEXIBLE CORDS**  
[75] Inventor: **Erich Kunstlicher**, Helsingborg,  
Sweden  
[73] Assignee: **Osmos Plast Aktiebolag Corporation**  
of Sweden, Sweden  
[\*\*] Term: **14 Years**  
[21] Appl. No.: **595,187**  
[22] Filed: **July 11, 1975**  
[30] **Foreign Application Priority Data**  
Jan. 15, 1975 Sweden ..... 7590  
[51] **Int. Cl.** ..... **D8-05**  
[52] **U.S. Cl.** ..... **D8/220**  
[58] **Field of Search** ..... **D8/220**

[56] **References Cited**  
**U.S. PATENT DOCUMENTS**  
D. 34,820 7/1901 Christmann ..... D8/257  
*Primary Examiner*—William N. Wertman  
*Attorney, Agent, or Firm*—Browne, Beveridge,  
DeGrandi & Kline

[57] **CLAIM**  
The ornamental design for a winding device for flexible  
cords, substantially as shown.

**DESCRIPTION**  
FIG. 1 is a side elevational view of a winding device for  
flexible cords showing my new design, the opposite side  
thereof being identical thereto;  
FIG. 2 is an end elevational view thereof, the opposite  
end being identical thereto;  
FIG. 3 is a perspective view thereof.

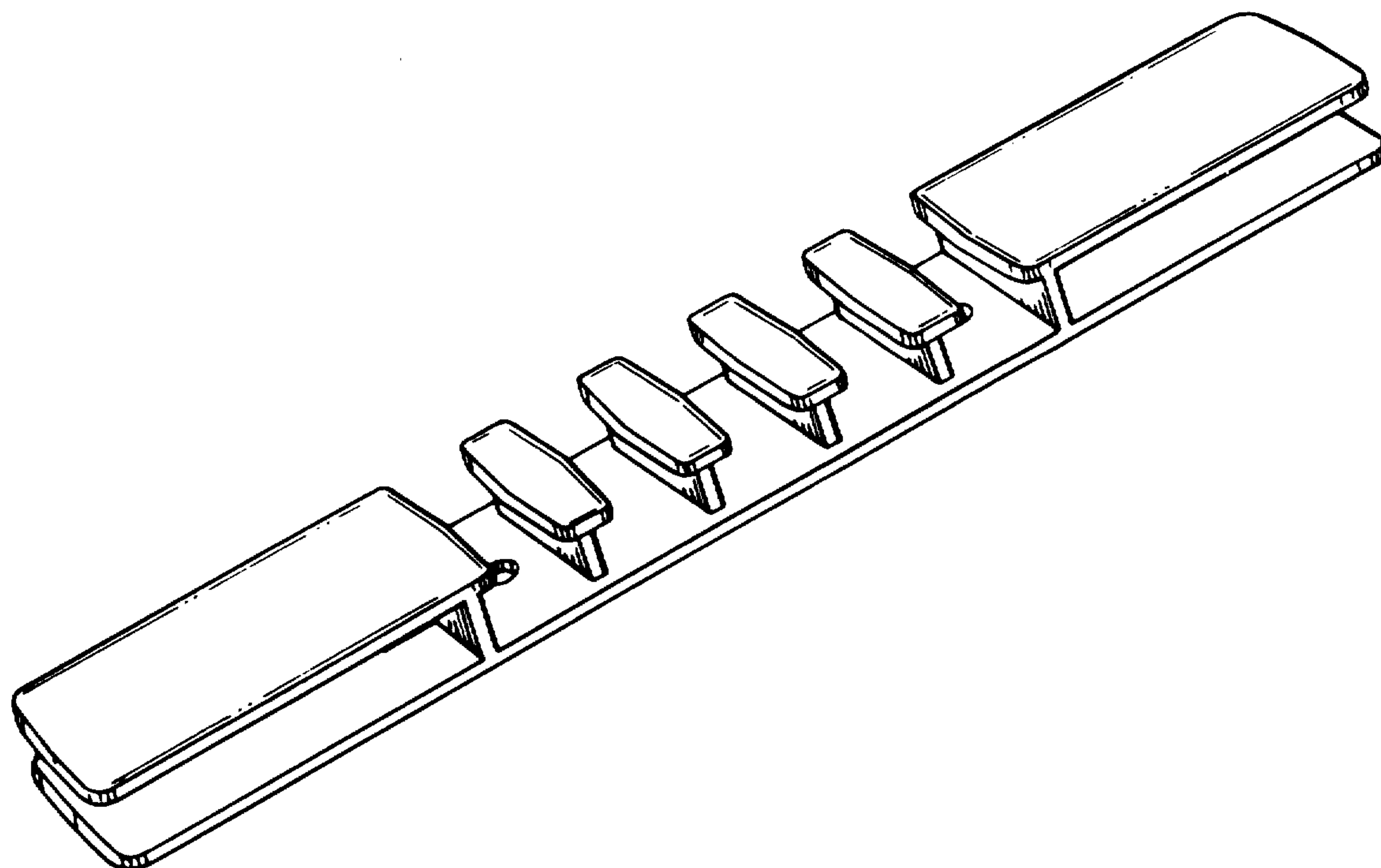


FIG. 1

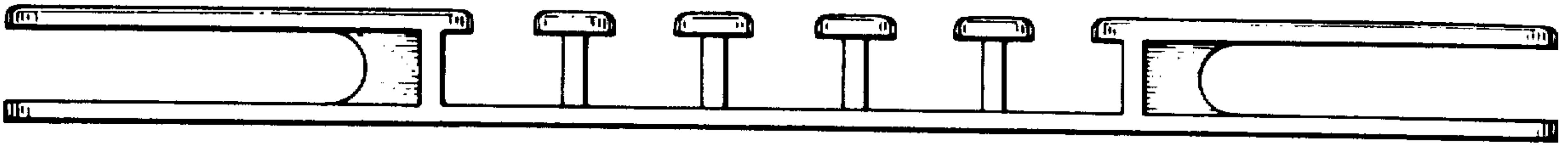


FIG. 2

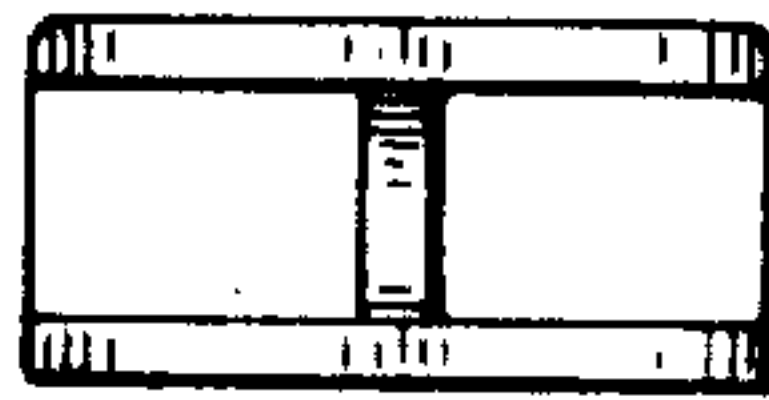


FIG. 3

