

[54] RECREATIONAL VEHICLE
REFRIGERATOR DOOR LATCH OR
SIMILAR ARTICLE

[76] Inventor: Donald R. Munson, 16426 RimRock
Road, Apple Valley, Calif. 92307

[**] Term: 14 Years

[21] Appl. No.: 550,142

[22] Filed: Feb. 14, 1975

[51] Int. Cl. D8-07

[52] U.S. Cl. D8/109

[58] Field of Search 292/262, DIG. 44, 87,
292/88, 89

[56] References Cited

U.S. PATENT DOCUMENTS

1,216,241	2/1917	Malsbury	292/89 X
1,688,221	10/1928	Abbey	8/203 UX
D. 35,240	10/1901	Stickle	D8/203

OTHER PUBLICATIONS

Amerock Cabinet Hardware, Cat. 213, Rec'd Dec. 1955, p. 6, Center Left Magnetic Catch Plate.

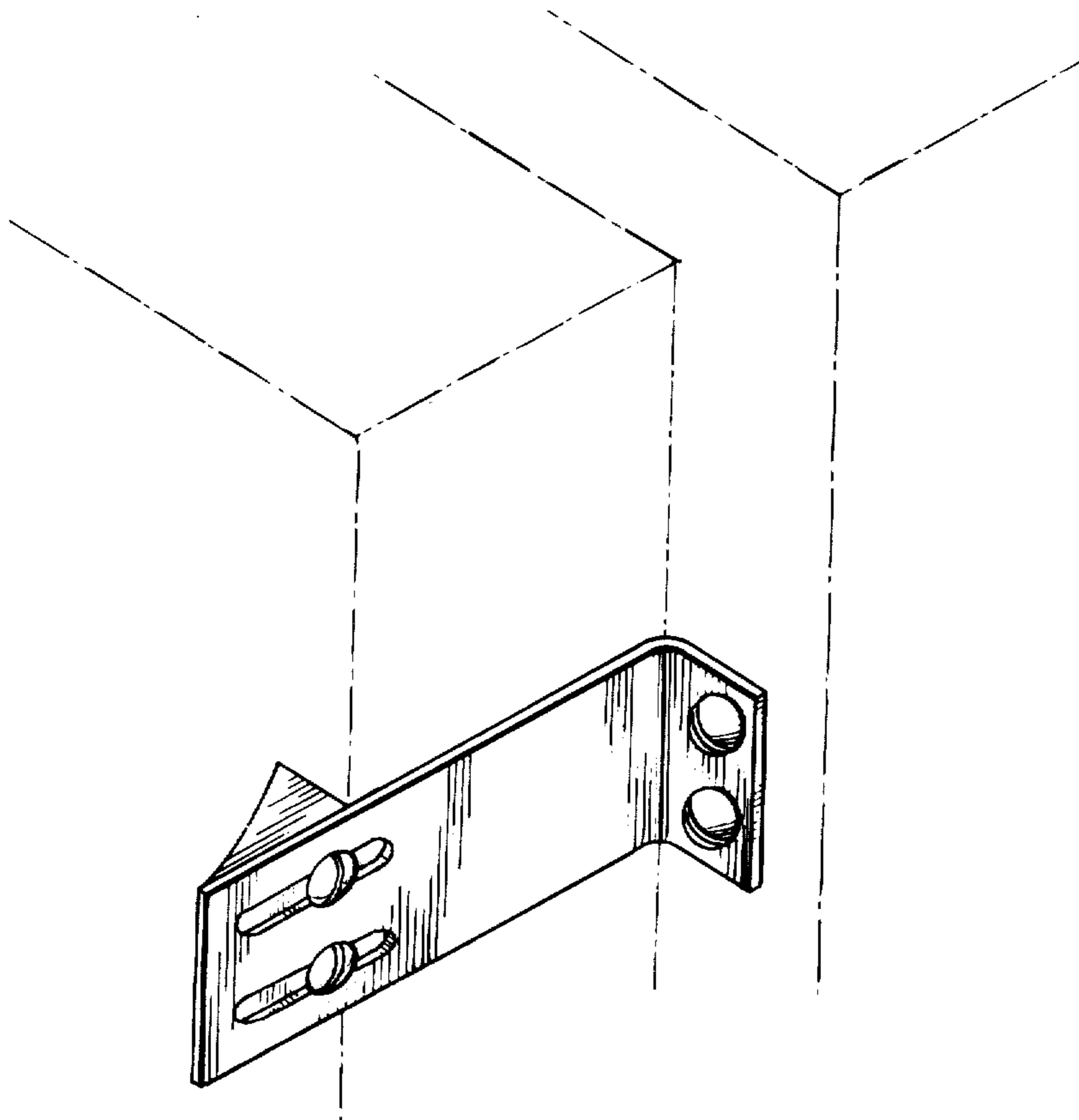
Primary Examiner—William N. Wertman
Attorney, Agent, or Firm—John H. Crowe

[57] CLAIM

The ornamental design for a recreational vehicle refrigerator door latch or similar article, substantially as shown and described.

DESCRIPTION

FIG. 1 is an isometric view of a recreational vehicle refrigerator door latch or similar article showing my new design;
FIG. 2 is a bottom view, drawn to an enlarged scale, of the door latch;
FIG. 3 is an elevation of one side of the door latch;
FIG. 4 is a top view of the door latch;
FIG. 5 is another side elevation of the door latch, showing the side opposite to that illustrated in FIG. 3;
FIG. 6 is a rear elevation of the door latch; and
FIG. 7 is a front elevation of the door latch.
The broken lines shown in FIG. 1 are for illustrative purposes only.



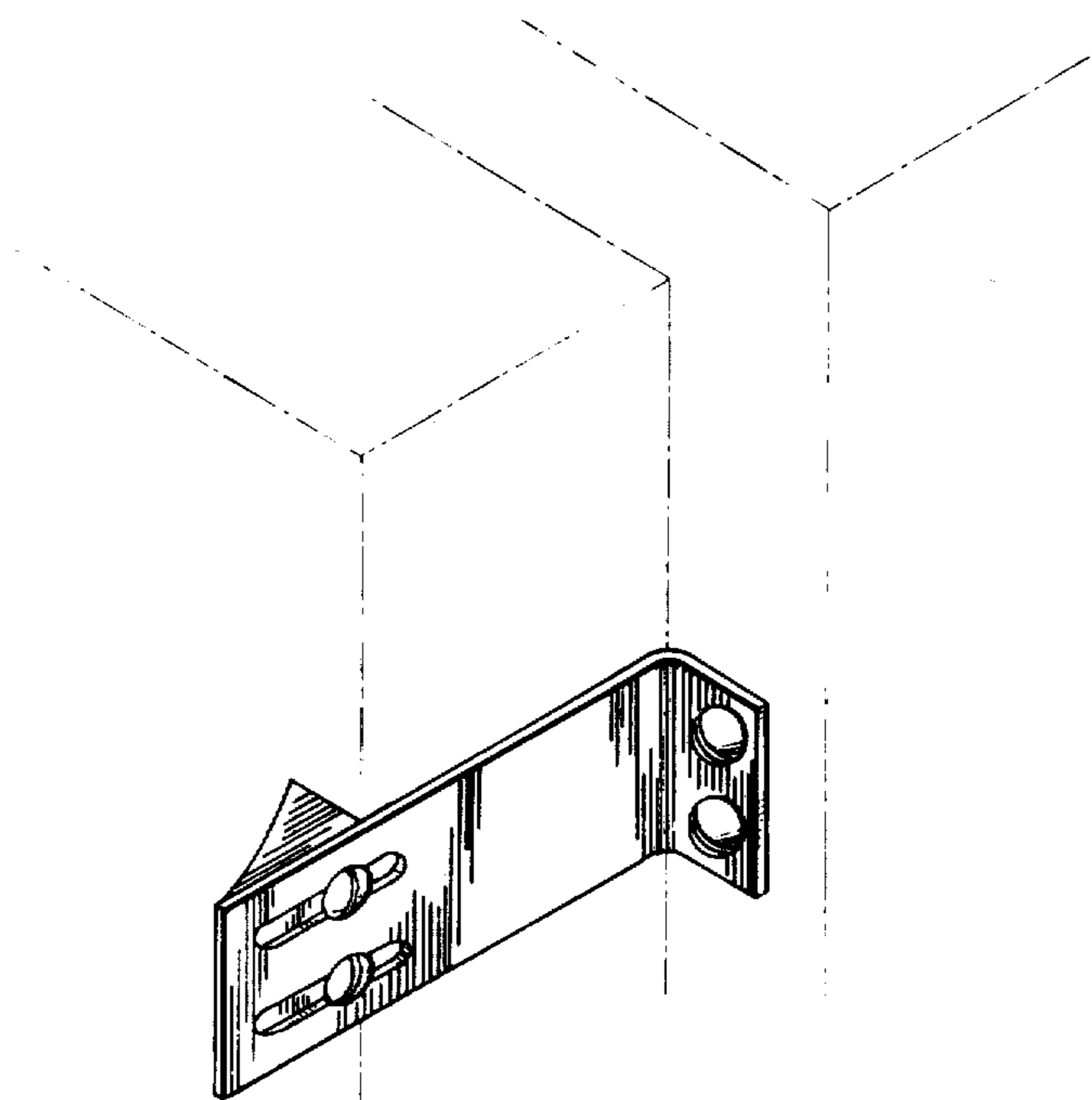


FIG. 1

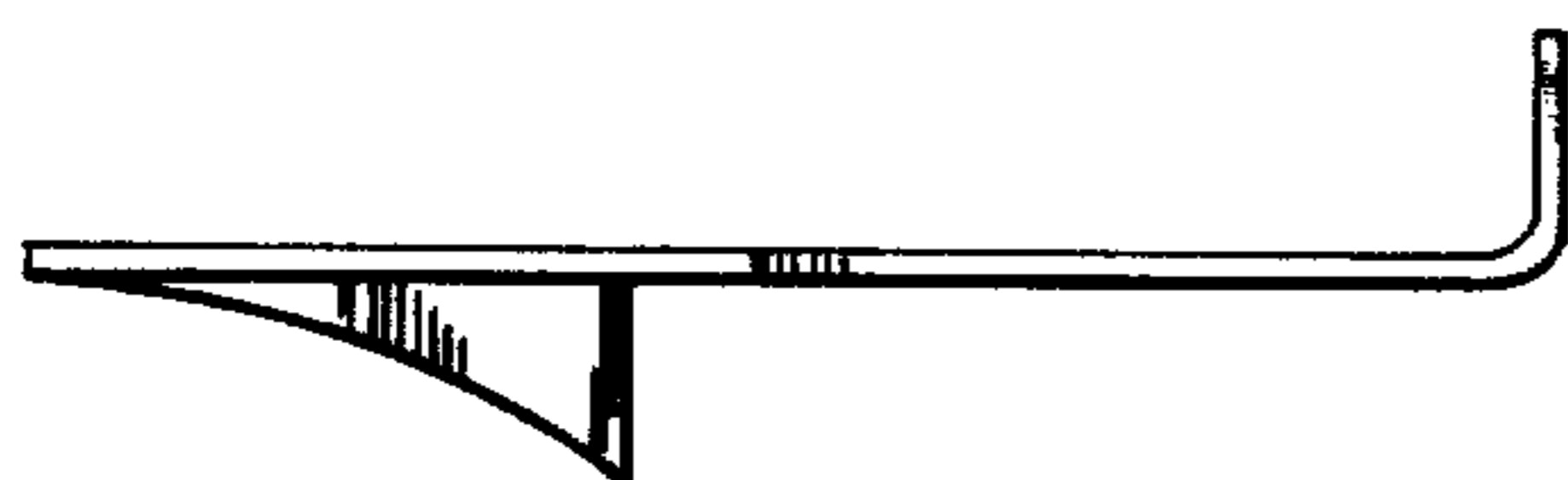


FIG. 2

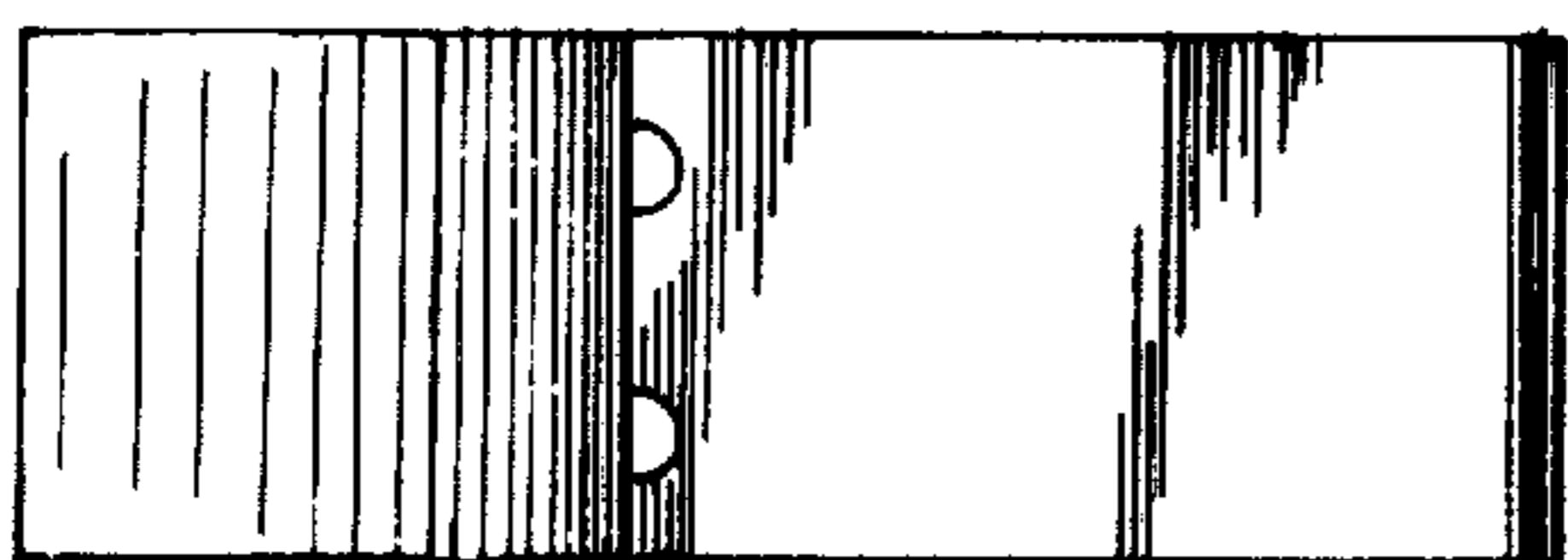


FIG. 3

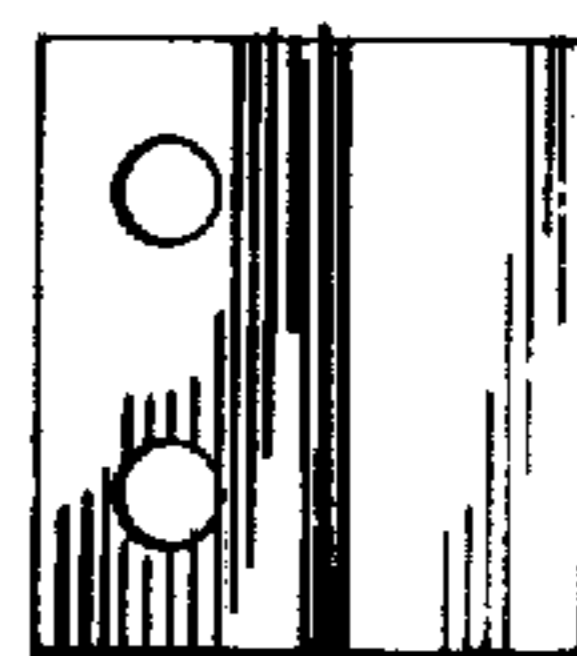


FIG. 6

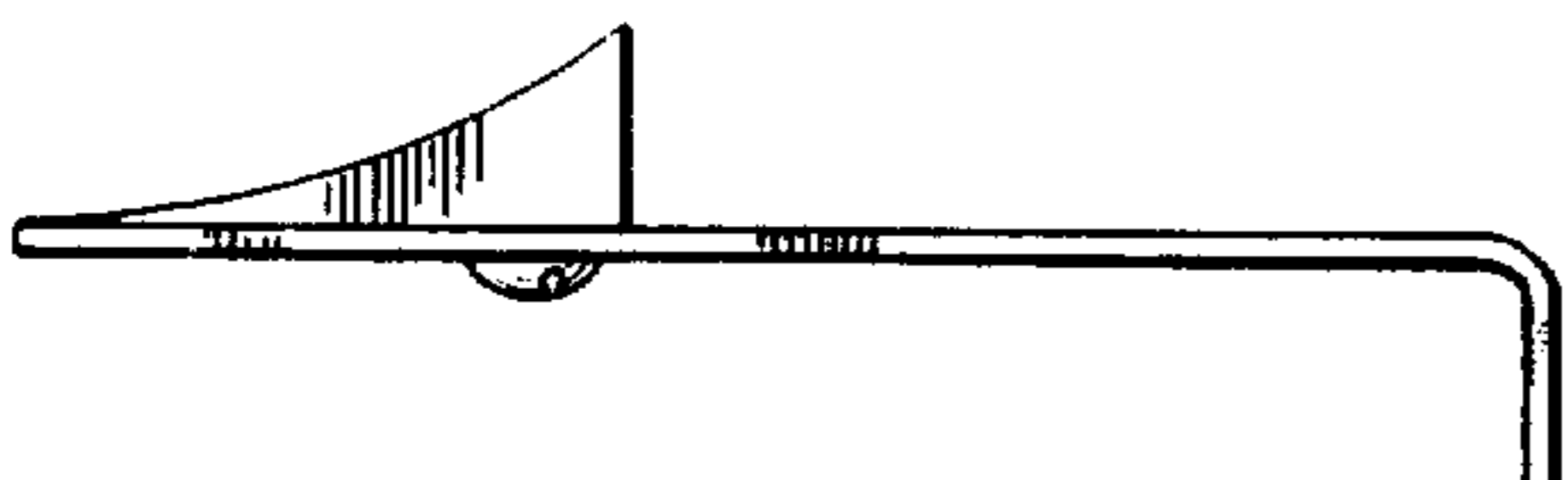


FIG. 4

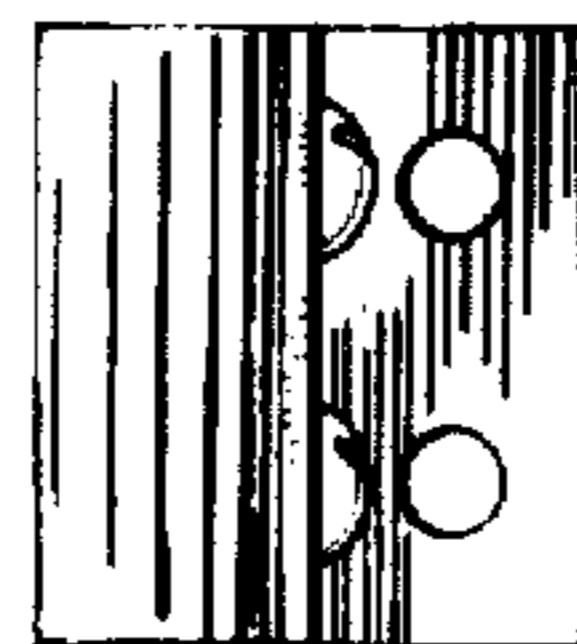


FIG. 7

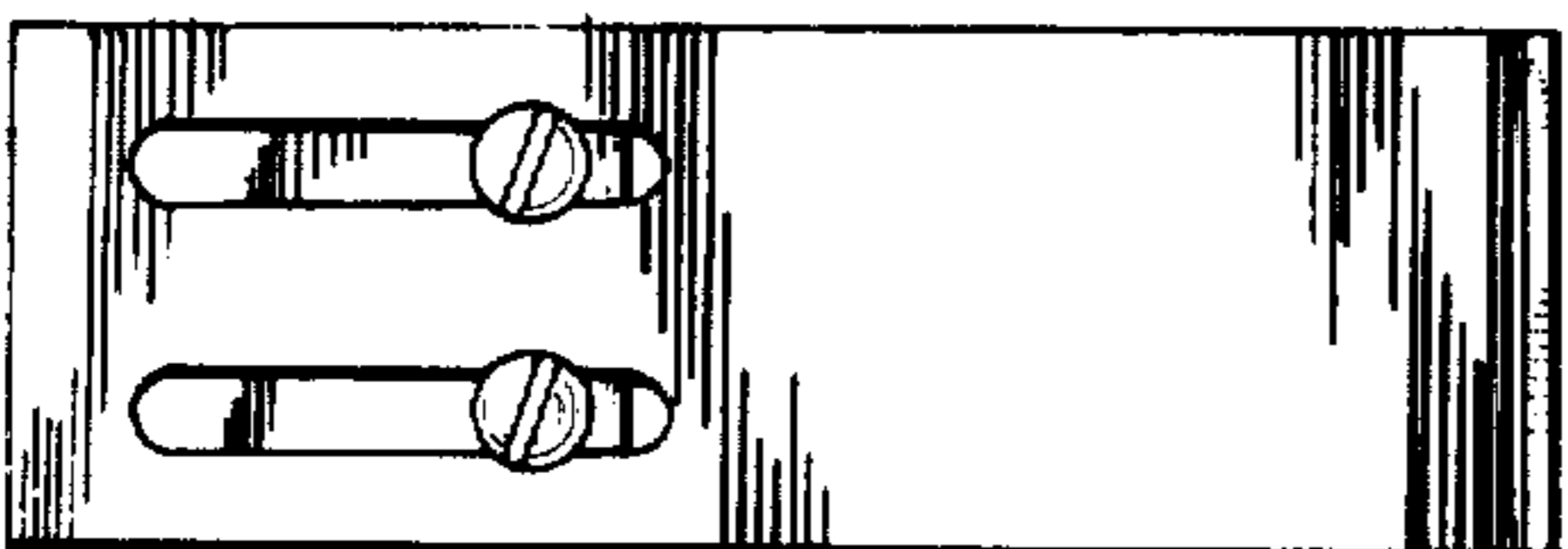


FIG. 5