

[54] RUBBISH AND GARBAGE RECEPTACLE
[76] Inventors: Frank C. De Lise, 44B Woodcutter's Path, Nissequogue, N.Y. 11780; Stephen W. De Lise, 106 Anchorage Drive, West Islip, N.Y. 11795

[**] Term: 14 Years

[21] Appl. No.: 578,730

[22] Filed: May 19, 1975

[51] Int. Cl. D7-07

[52] U.S. Cl. D7/194

[58] Field of Search D7/163, 187, 189-195; 248/DIG. 7; 232/1 R, 43.2; 220/1 T, 17, 18

[56] References Cited

U.S. PATENT DOCUMENTS

2,490,790 12/1949 Emerson 220/17

3,831,838 8/1974 Kline et al. 248/DIG. 7
D. 201,526 6/1965 Martino et al. D7/194

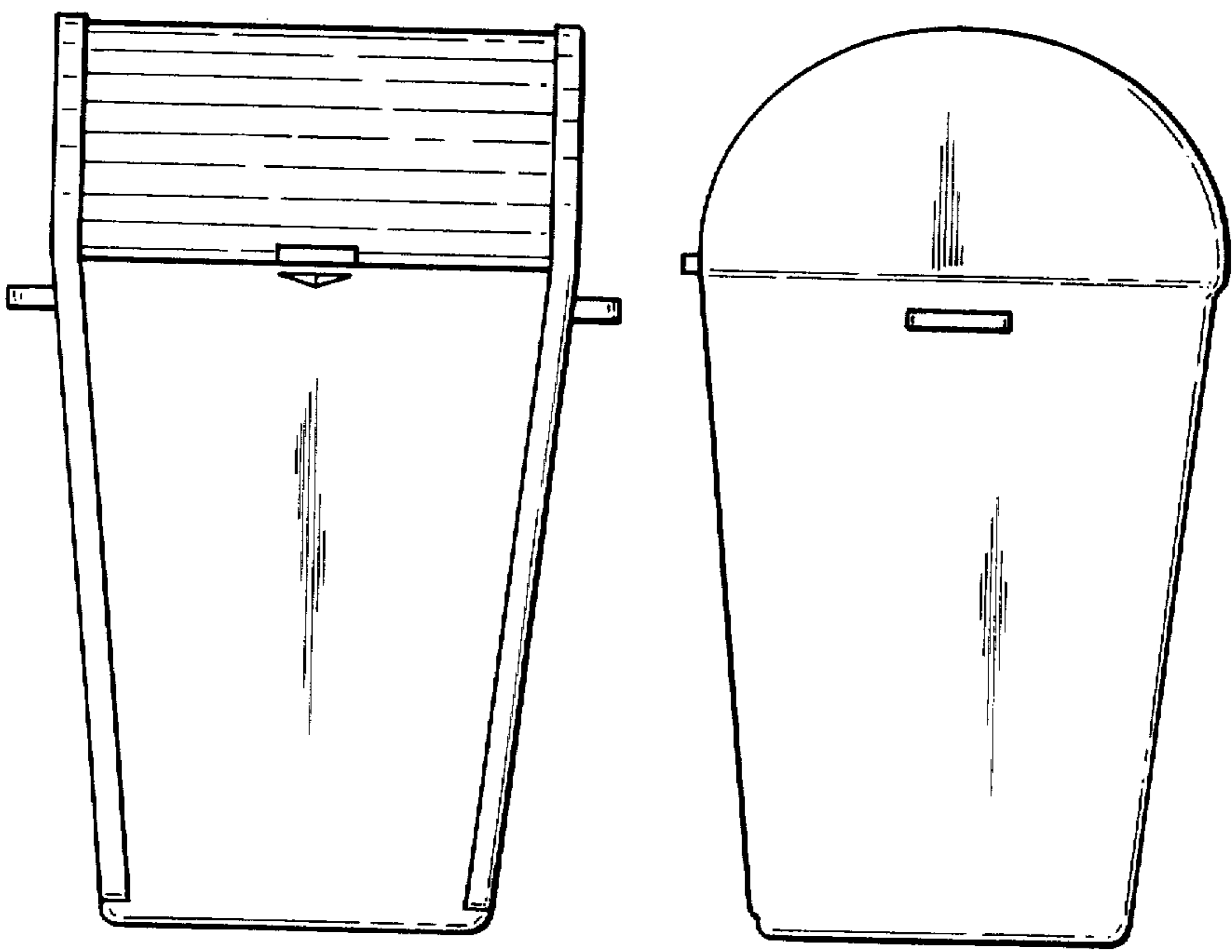
Primary Examiner—Joel Stearman
Assistant Examiner—Louis S. Zarfes
Attorney, Agent, or Firm—Stanley Ira Laughlin

[57] CLAIM

The ornamental design for rubbish and garbage receptacle, substantially as shown.

DESCRIPTION

FIG. 1 is a top plan view of a rubbish and garbage receptacle showing our new design; FIG. 2 is a front elevational view thereof; FIG. 3 is a rear elevational view thereof; FIG. 4 is a right side elevational view thereof; and FIG. 5 is a bottom plan view thereof.



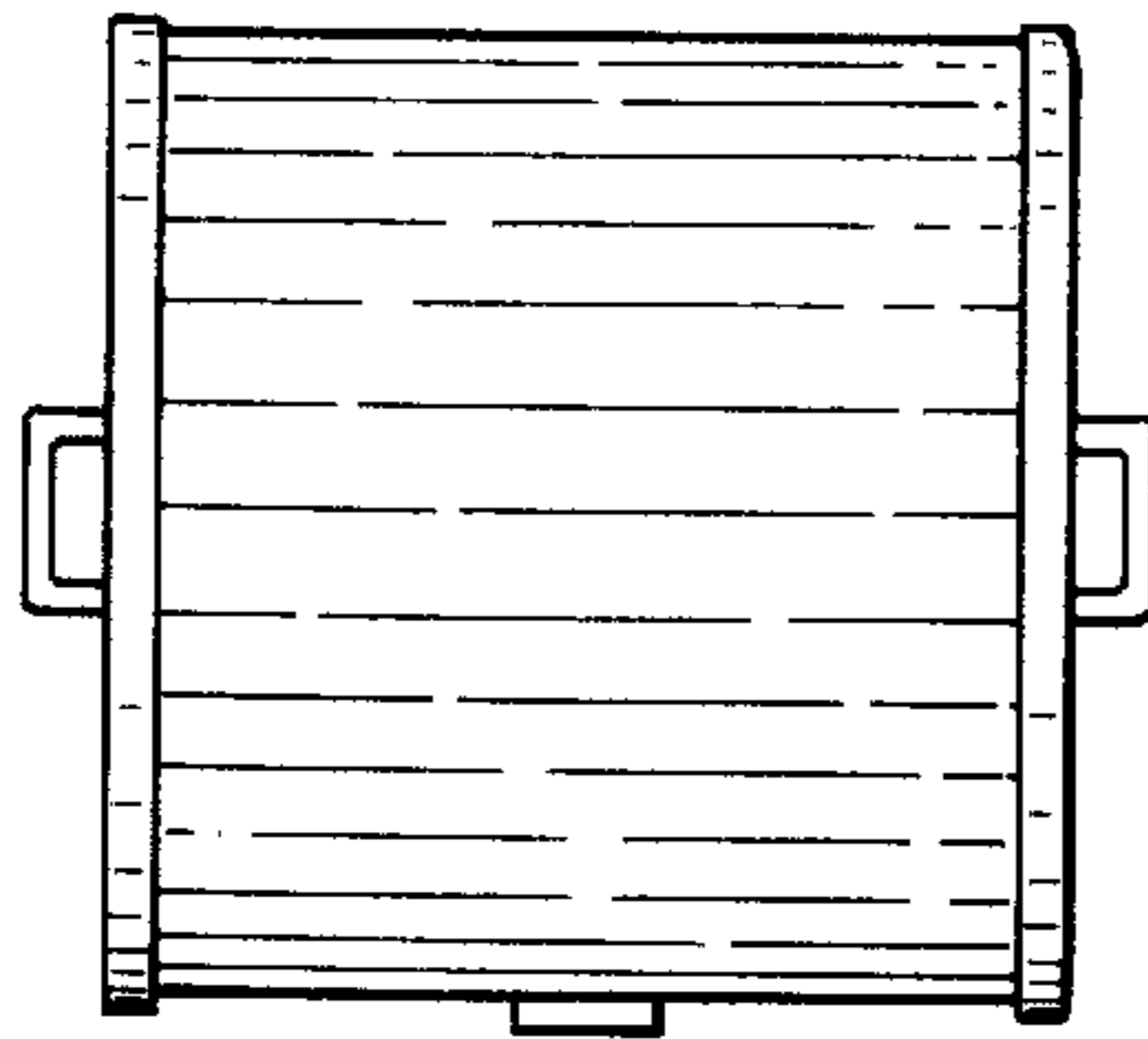


FIG. 1

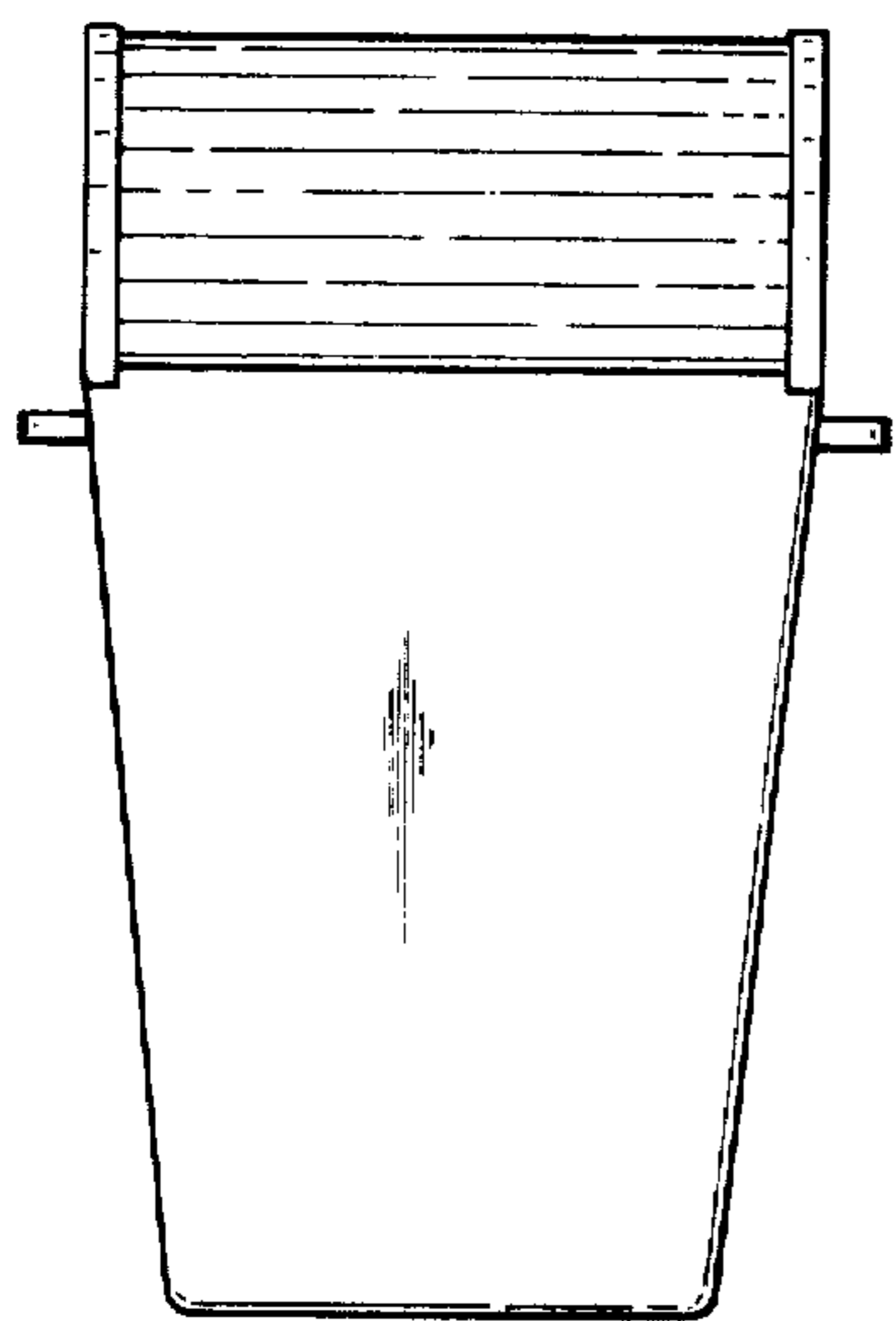


FIG. 3

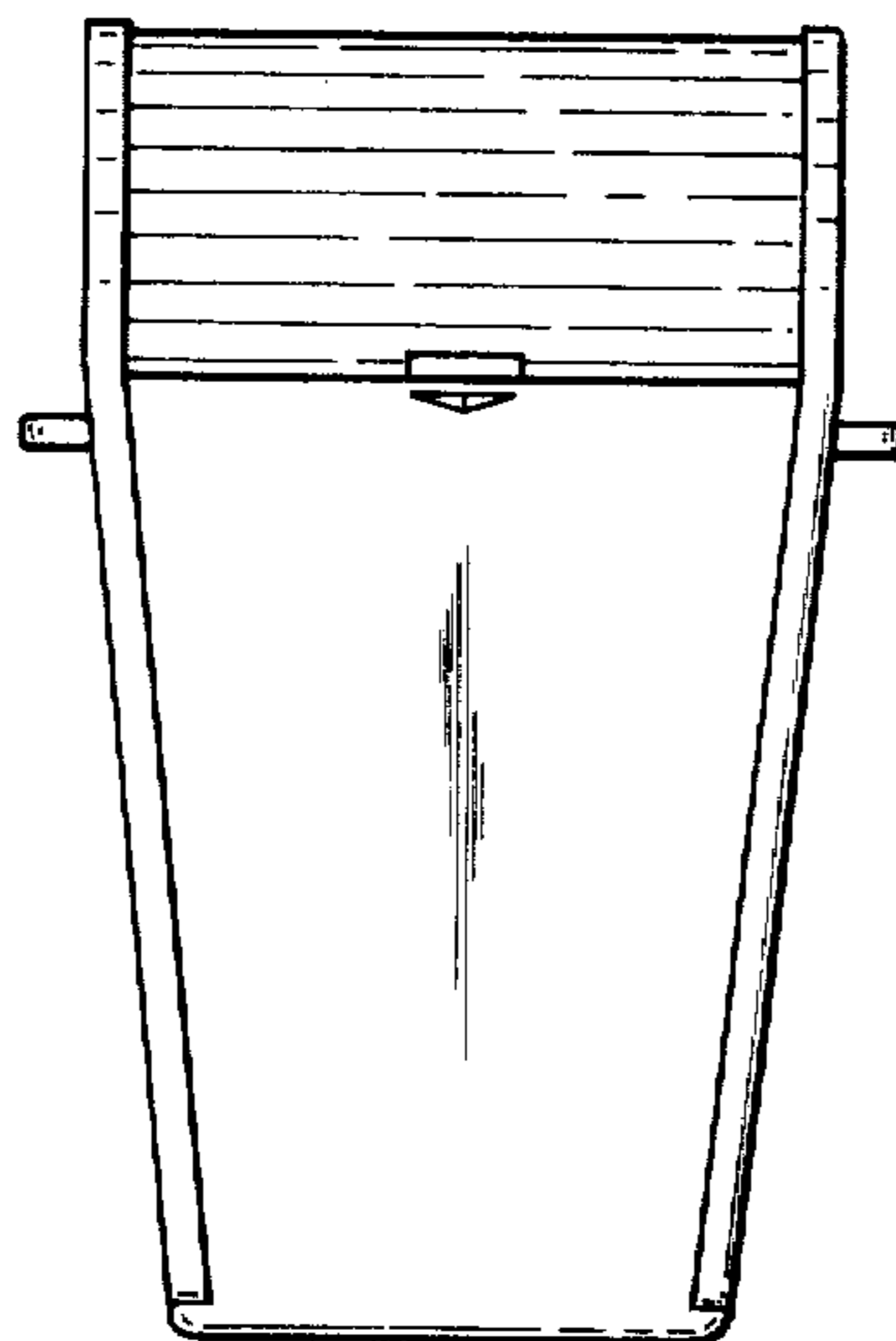


FIG. 2

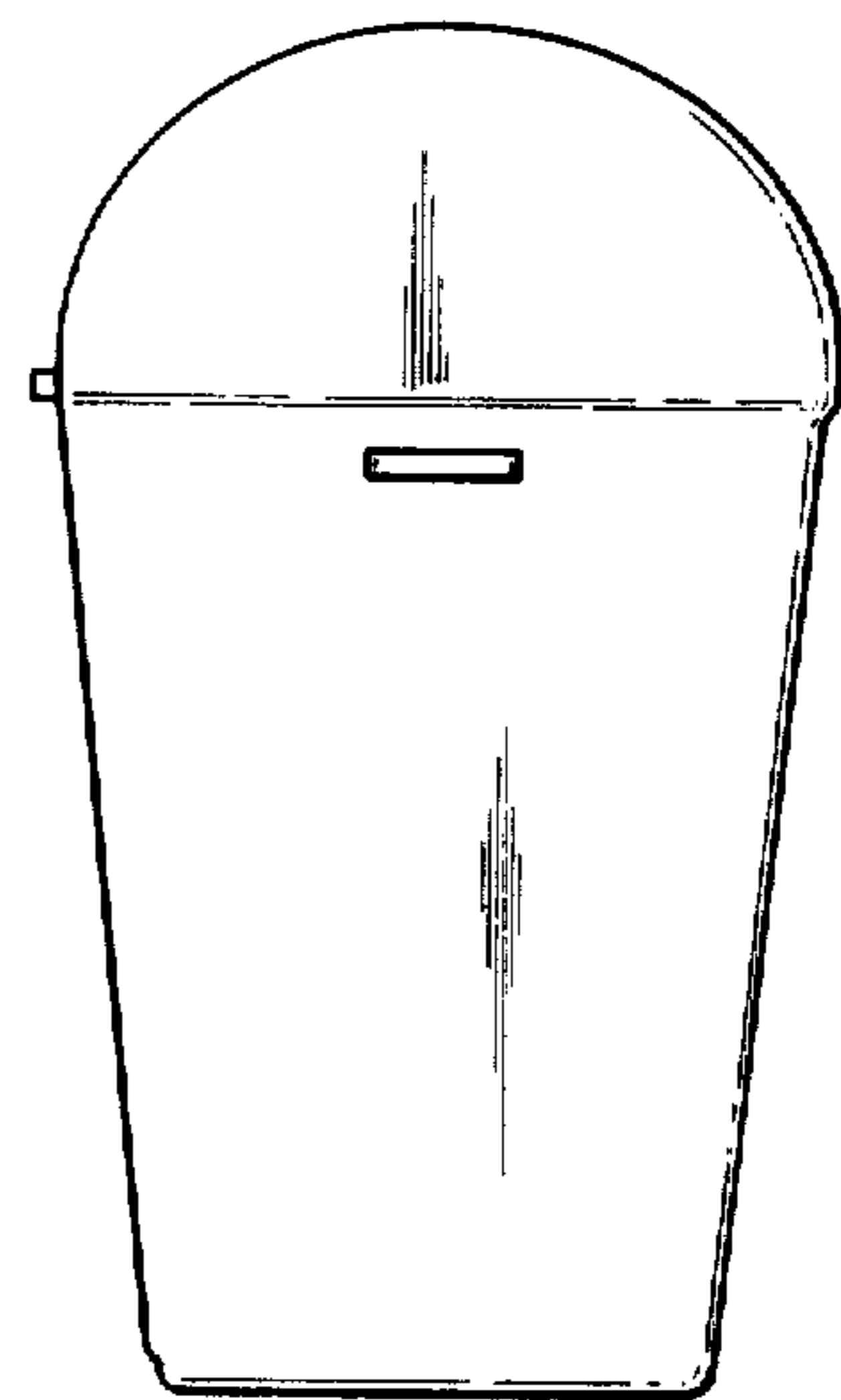


FIG. 4

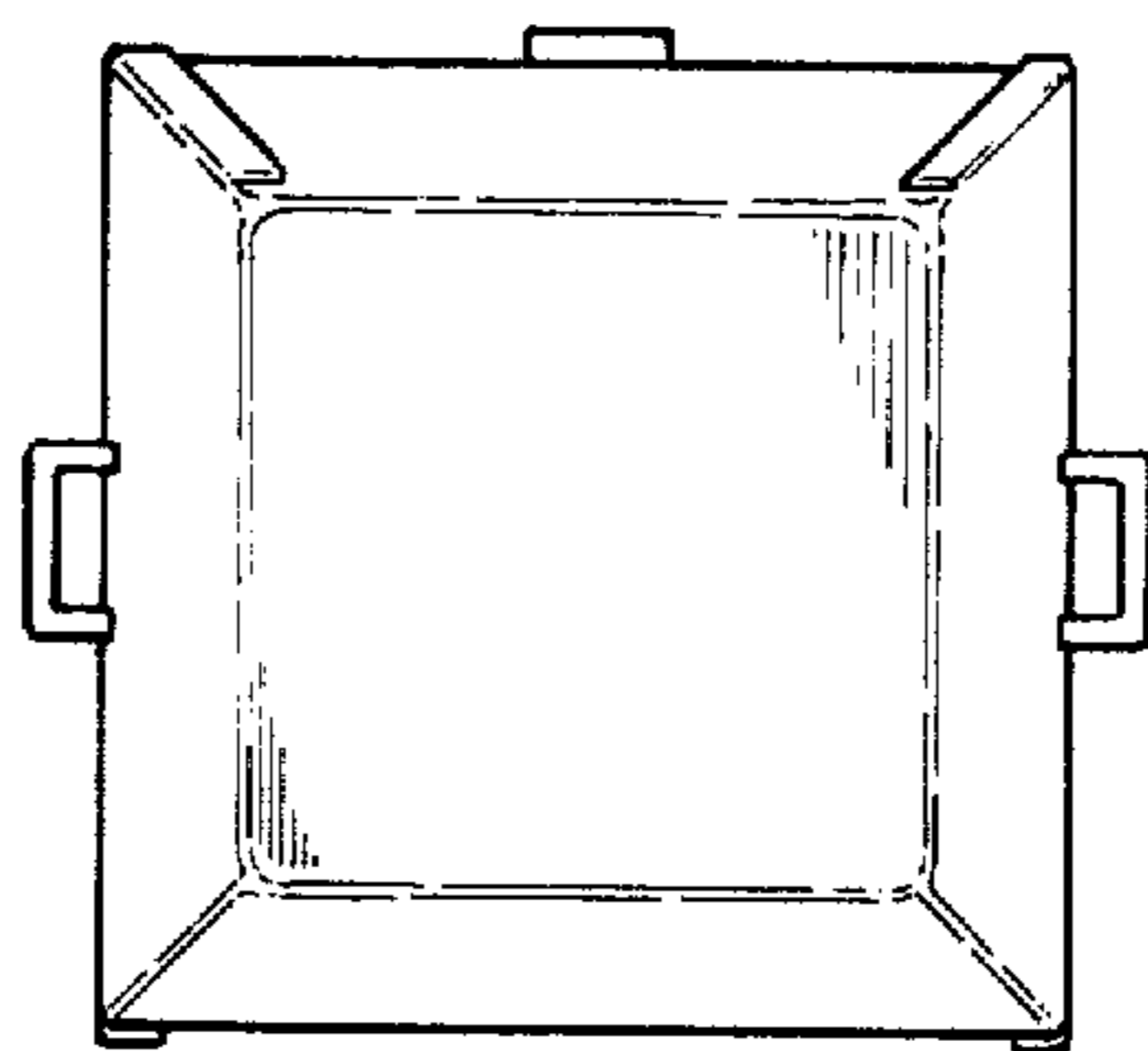


FIG. 5