

[54] BARBEQUE

[76] Inventor: James R. Sterkel, Box 495, Rancho Santa Fe, Calif. 92067

[\*\*] Term: 14 Years

[21] Appl. No.: 606,719

[22] Filed: Aug. 21, 1975

[51] Int. Cl. D7-02

[52] U.S. Cl. D7/107

[58] Field of Search D7/107-110, D7/129-136; 126/25, 9, 29, 30, 41

[56] References Cited

U.S. PATENT DOCUMENTS

3,800,777	4/1974	Gebien	126/25 R
D. 212,137	8/1968	Wiggins	D7/109
D. 222,311	10/1971	Wilkinson et al.	D7/107

OTHER PUBLICATIONS

Washington Evening Star, June 10, 1955, p. B-1, MacMannes Barbecue Grill.

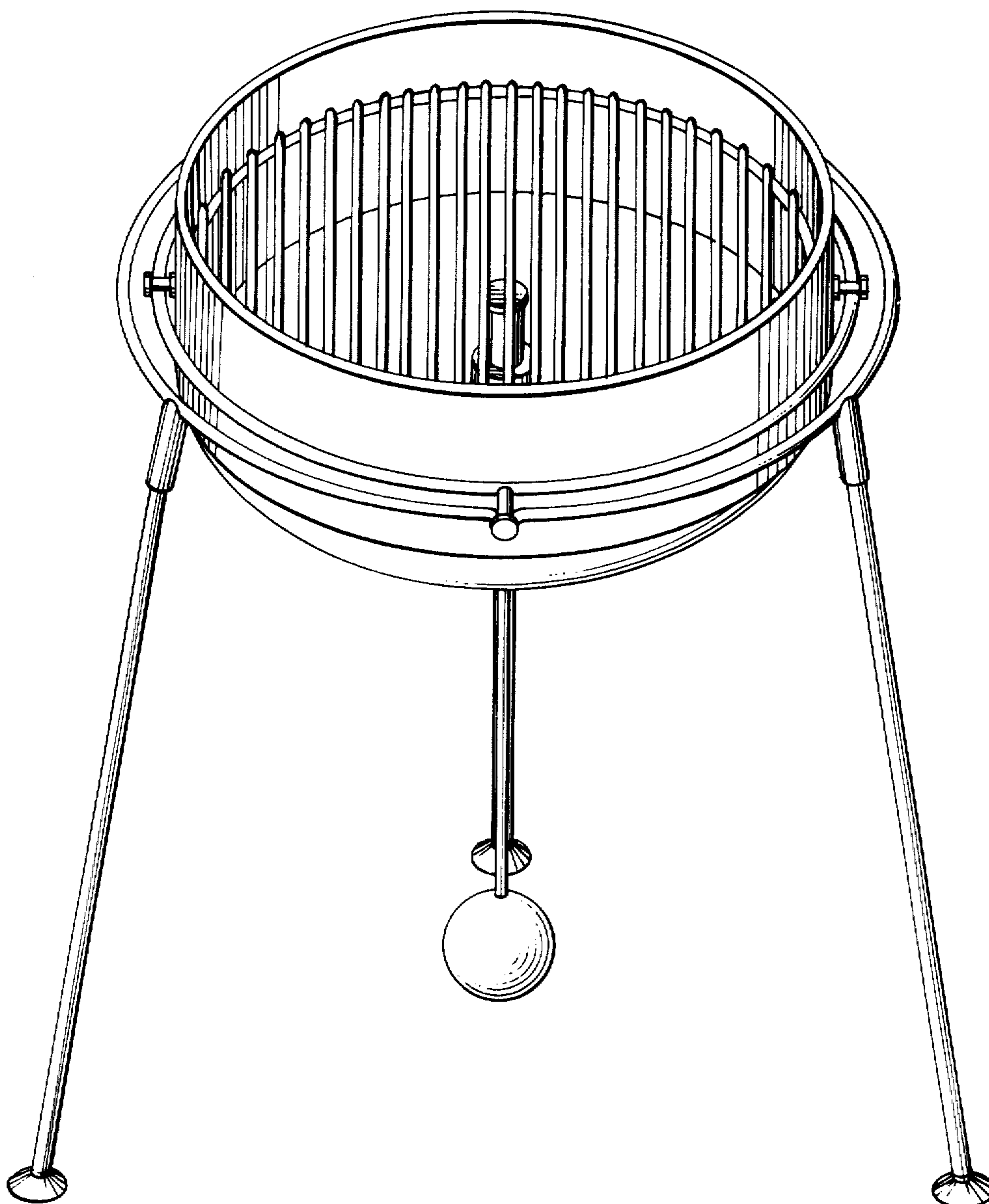
Primary Examiner—Alan P. Douglas  
Assistant Examiner—Catherine Kemper  
Attorney, Agent, or Firm—Robert L. Parker

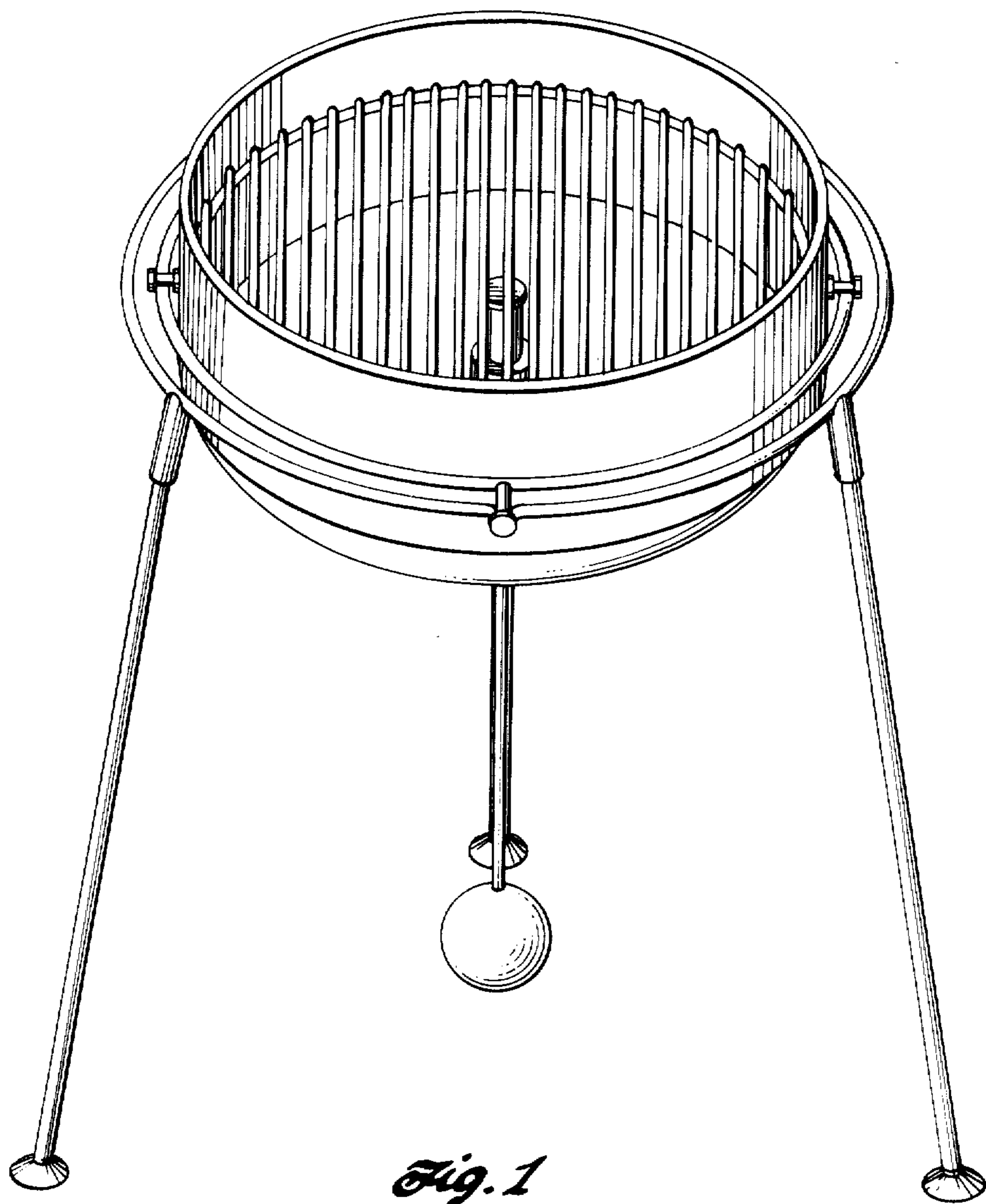
[57] CLAIM

The ornamental design for a barbeque, substantially as shown and described.

DESCRIPTION

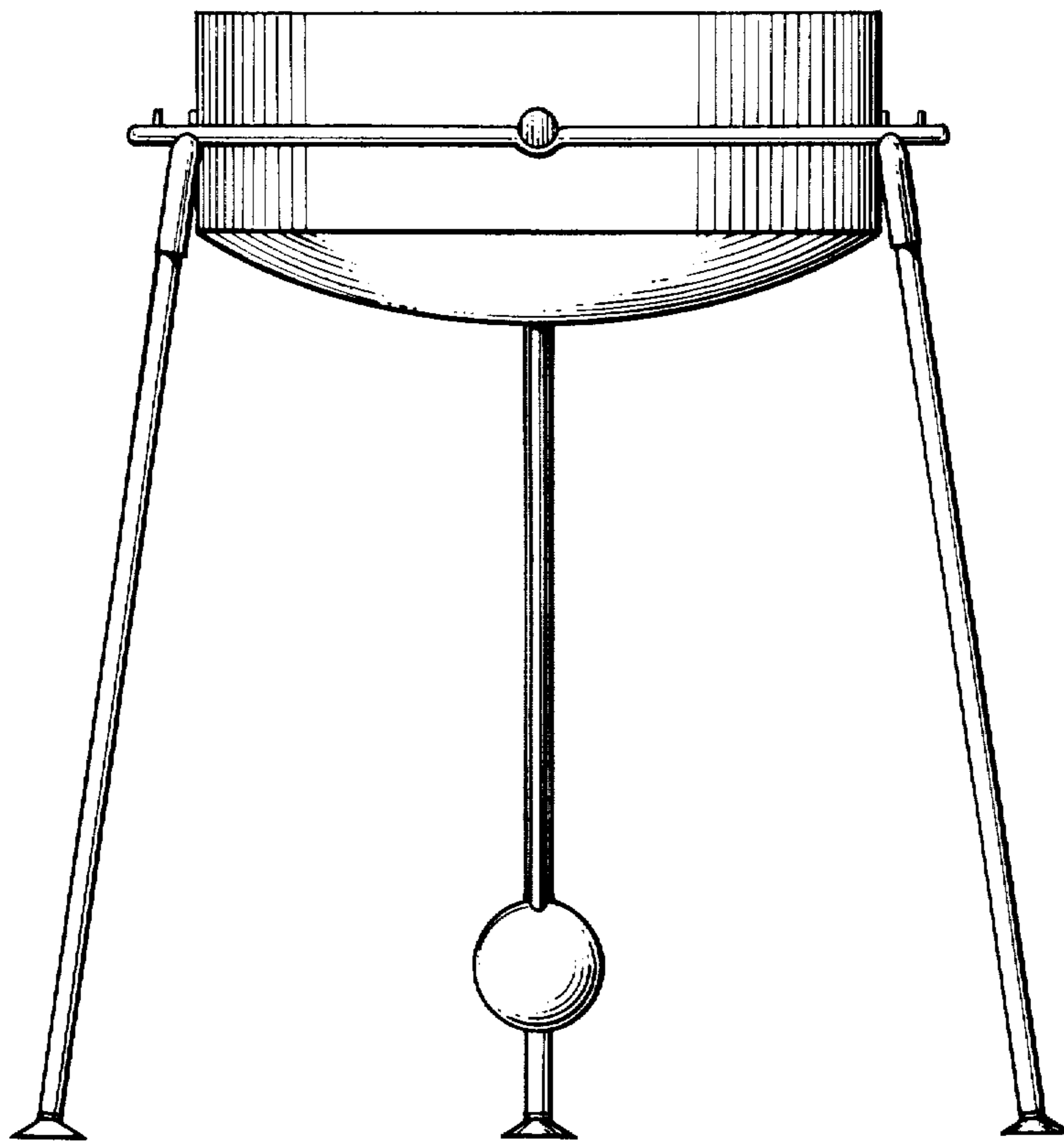
FIG. 1 is a perspective view of a barbeque showing my new design;  
FIG. 2 is a front elevation view thereof;  
FIG. 3 is a side elevation view thereof;  
FIG. 4 is a rear elevation view thereof;  
FIG. 5 is a side elevation view thereof;  
FIG. 6 is a top plan view thereof; and  
FIG. 7 is a bottom plan view thereof.



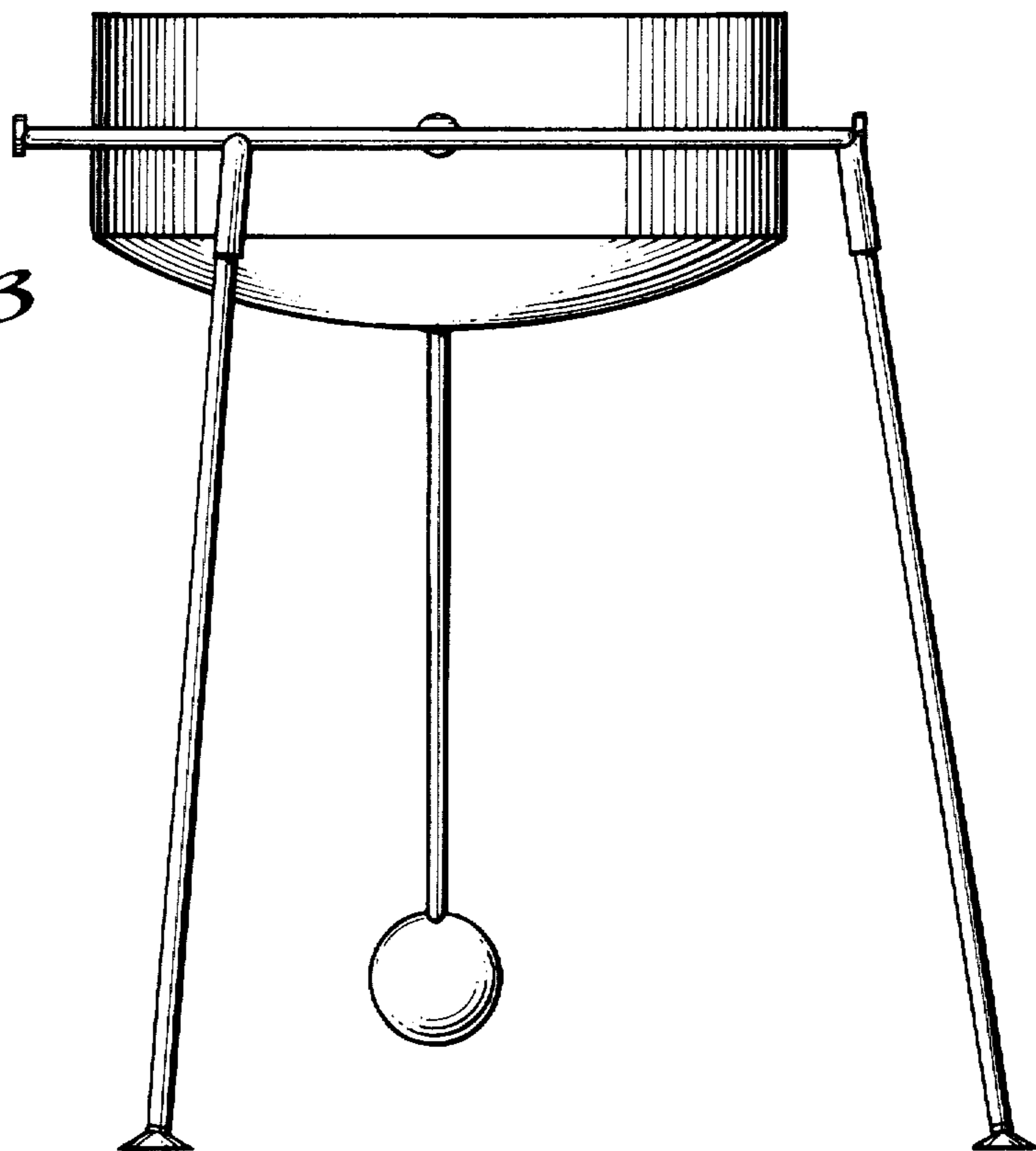


*Fig. 1*

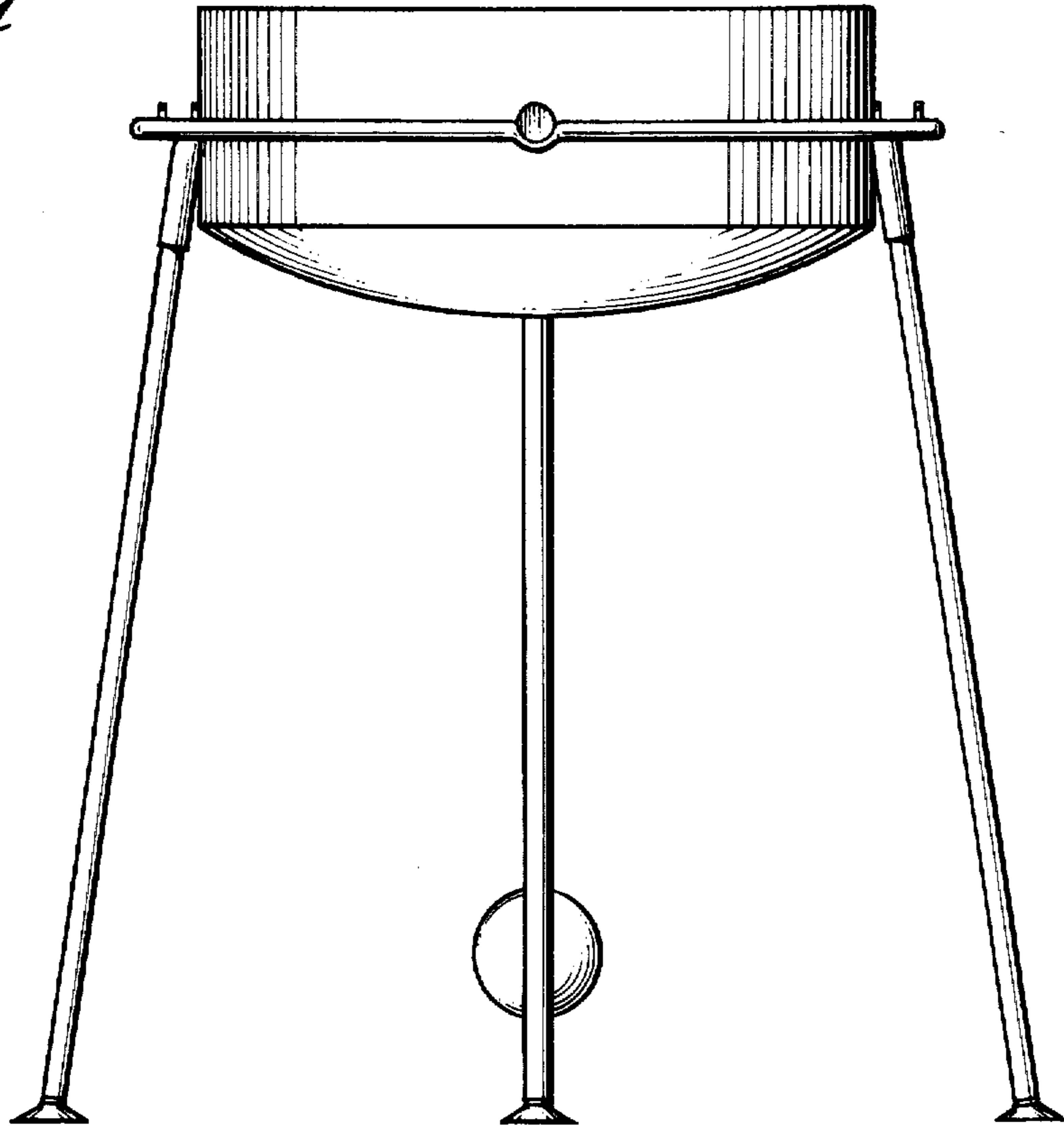
*Fig. 2*



*Fig. 3*



*Fig. 4*



*Fig. 5*

