

[54] **BASE FOR SWIVEL CHAIR**
 [75] Inventor: **Gregory S. Gabourie**, Ajax Lis, Canada
 [73] Assignee: **Global Upholstery Company Limited**
 [**] Term: **14 Years**
 [21] Appl. No.: **584,181**
 [22] Filed: **June 5, 1975**
 [51] Int. Cl. **D6—06**
 [52] U.S. Cl. **D6/196**
 [58] Field of Search D6/29, 30, 31, 146, D6/191, 196

D. 210,786 4/1968 Rodin D6/196 X
 D. 219,820 2/1971 Wegner D6/196
 D. 236,061 7/1975 Tacke D6/196

Primary Examiner—Bruce W. Dunkins
Attorney, Agent, or Firm—J. A. Legris

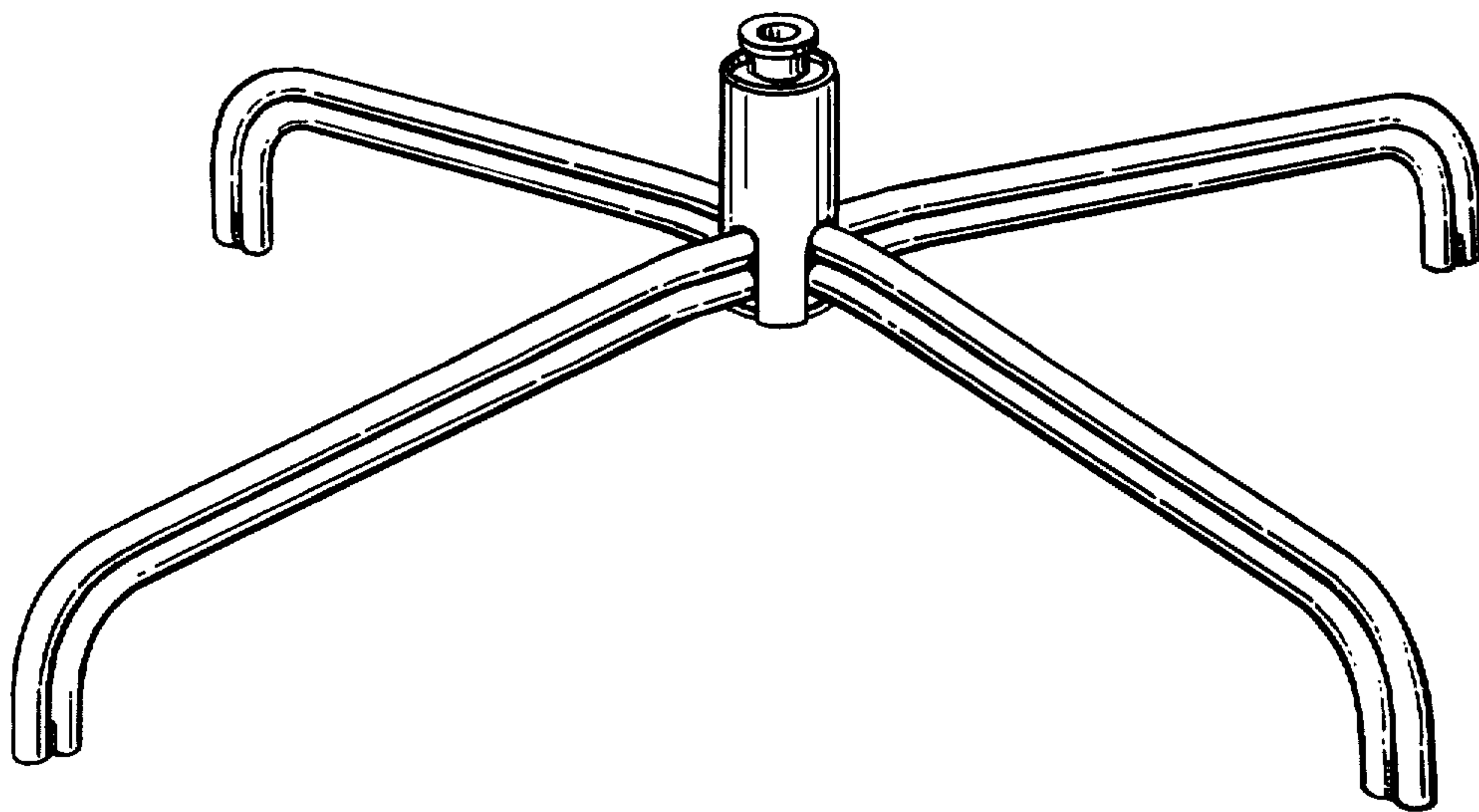
[57] **CLAIM**

The ornamental design for a base for swivel chair, as shown.

DESCRIPTION

FIG. 1 is a perspective view of the base for swivel chair from above and one side thereof;
 FIG. 2 is a side view of the base for swivel chair viewed directly along one leg thereof;
 FIG. 3 is a top view of the base for swivel chair; and
 FIG. 4 is a bottom view of the base for swivel chair.

[56] **References Cited**
U.S. PATENT DOCUMENTS
 D. 106,989 11/1937 Salomon D6/31



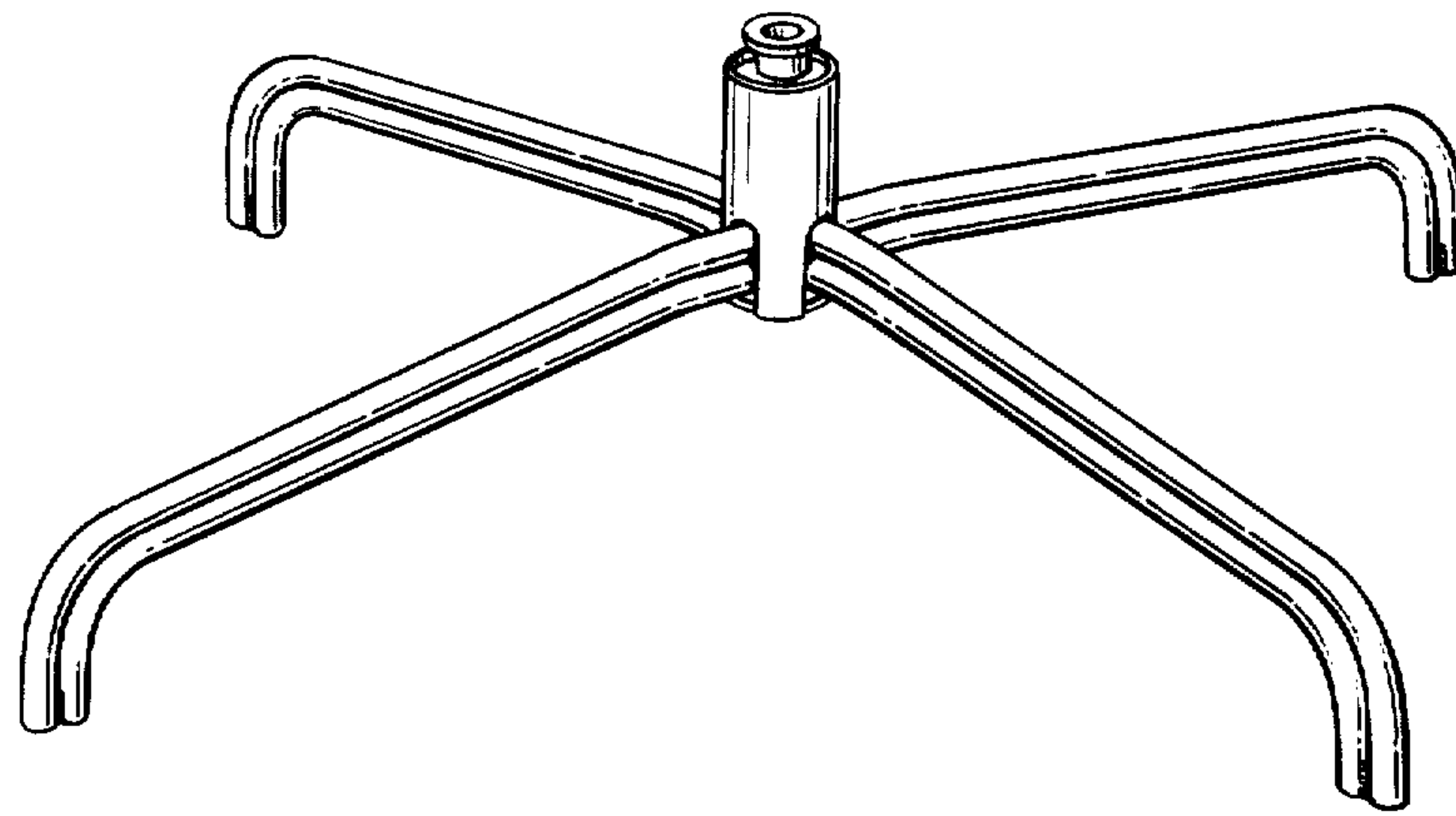


FIG. 1

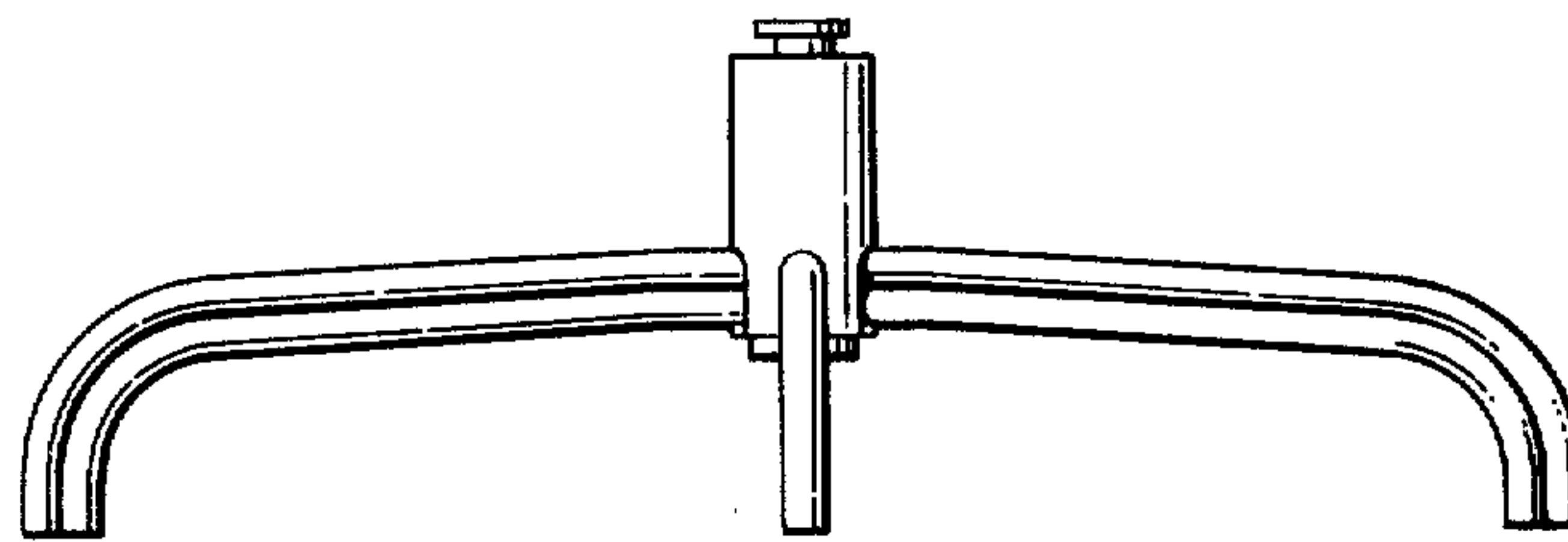


FIG. 2

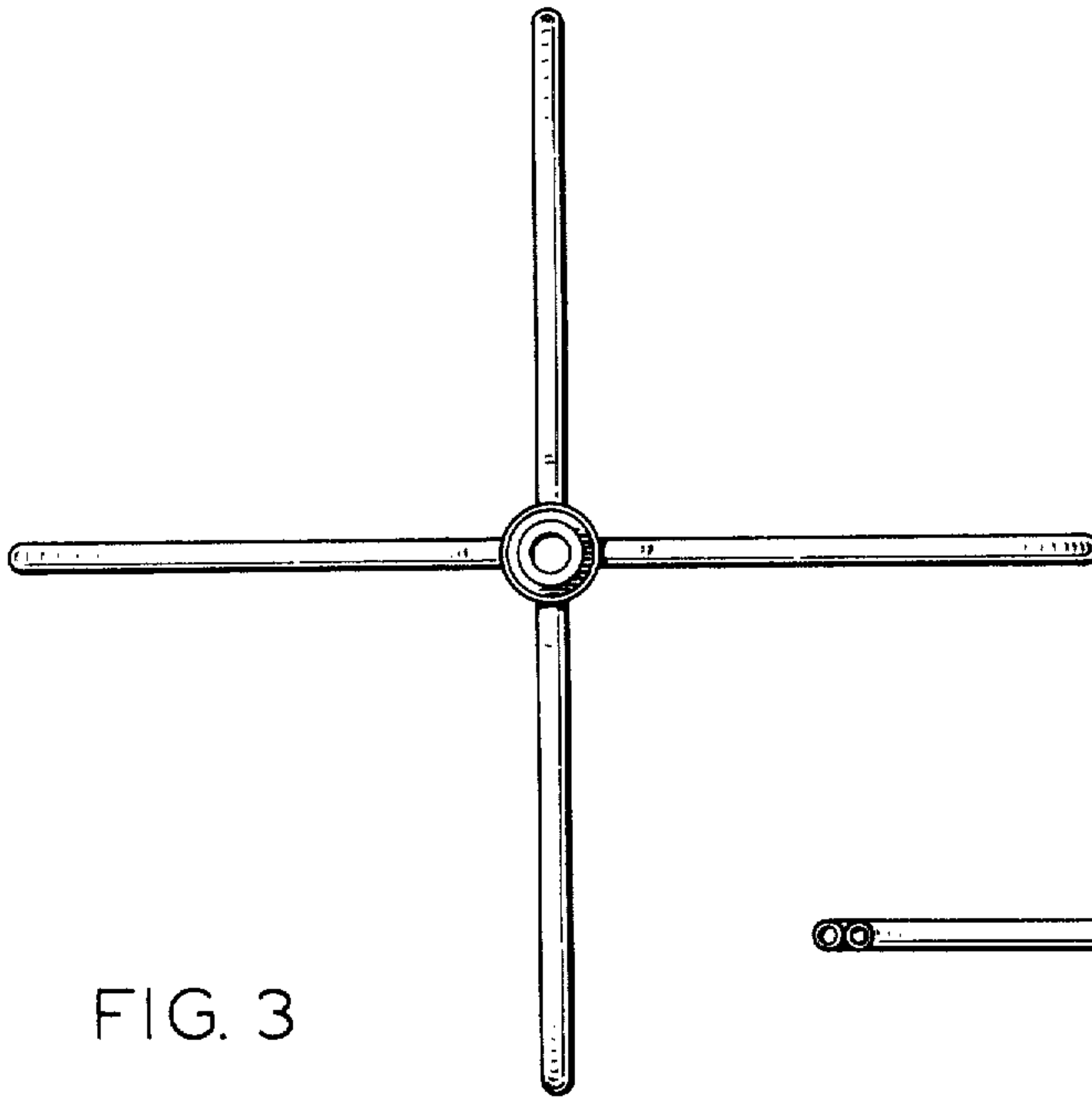


FIG. 3

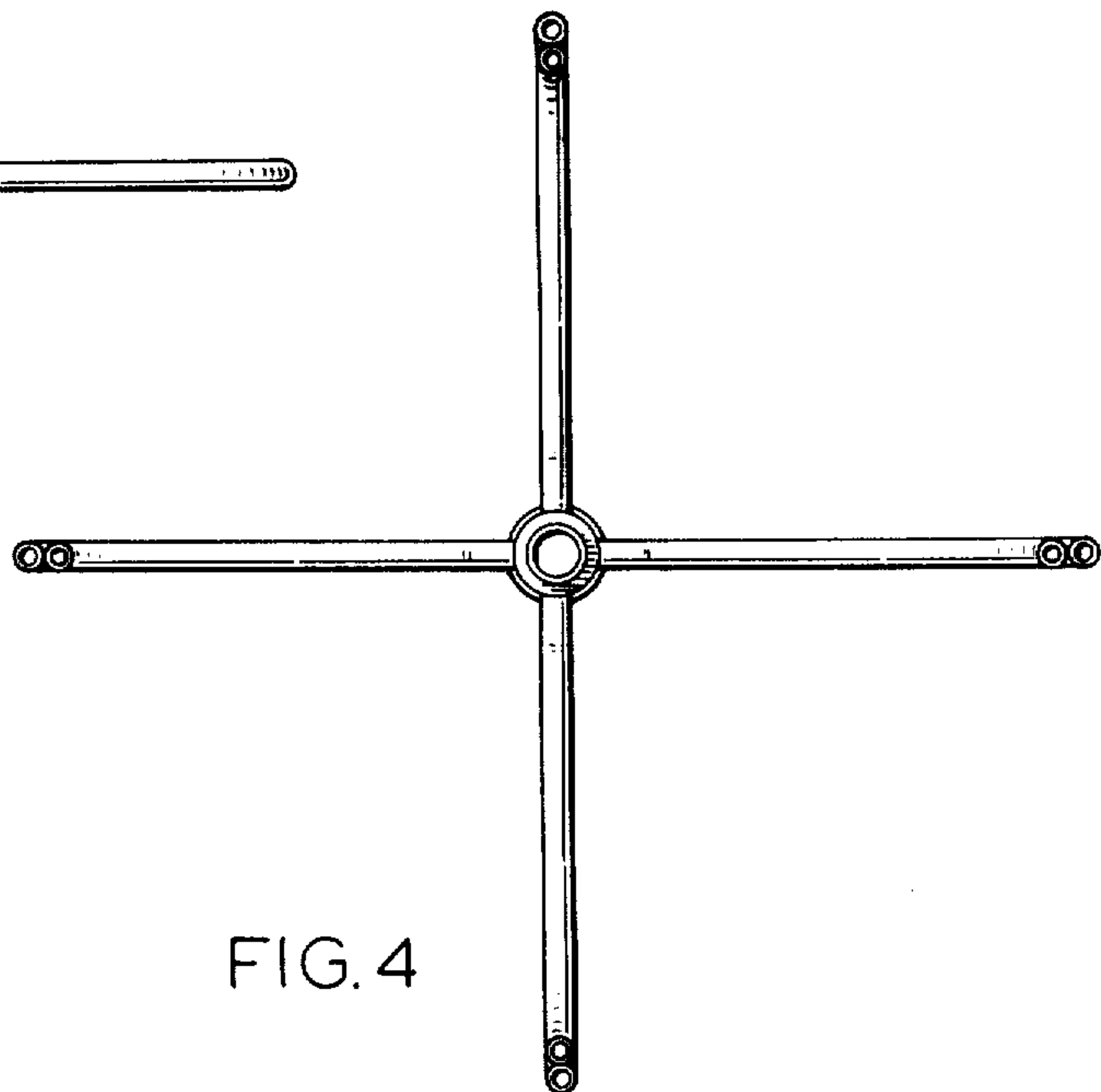


FIG. 4