

[54] RACK FOR POCKETBOOKS, MAGAZINES AND THE LIKE

[76] Inventor: Donald Leroy Hurd, 1428 Beach No. 1, Montebello, Calif. 90640

[**] Term: 14 Years

[21] Appl. No.: 594,527

[22] Filed: July 9, 1975

[51] Int. Cl. D20-02

[52] U.S. Cl. D6/188

[58] Field of Search D6/85, 157, 181, 186, D6/188; 211/13, 42, 55, 56, 58, 126, 128, 129, 131, 181

[56] References Cited

U.S. PATENT DOCUMENTS

1,235,225	7/1917	Miller	211/56
1,725,422	8/1929	Roushar et al.	211/55
3,223,247	12/1965	Bleed	211/181 X

D. 229,647 12/1973 Howard et al. D6/24

Primary Examiner—Wallace R. Burke
Assistant Examiner—Christine M. Nucker
Attorney, Agent, or Firm—Samuel Lindenberg

[57] CLAIM

The ornamental design for a rack for pocketbooks, magazines and the like, substantially as shown.

DESCRIPTION

FIG. 1 is a front elevation view of my rack, the elevation views of the rack being the same at each of five faces spaced uniformly about the axis of the rack for pocketbooks, magazines or the like, with this figure showing only the front face and the two faces lying on either side of the front face in order to avoid confusion. FIG. 2 is a plan view of the rack for pocketbooks, magazines or the like; and FIG. 3 is a partial top and side perspective view of the rack, showing the topmost portion thereof.

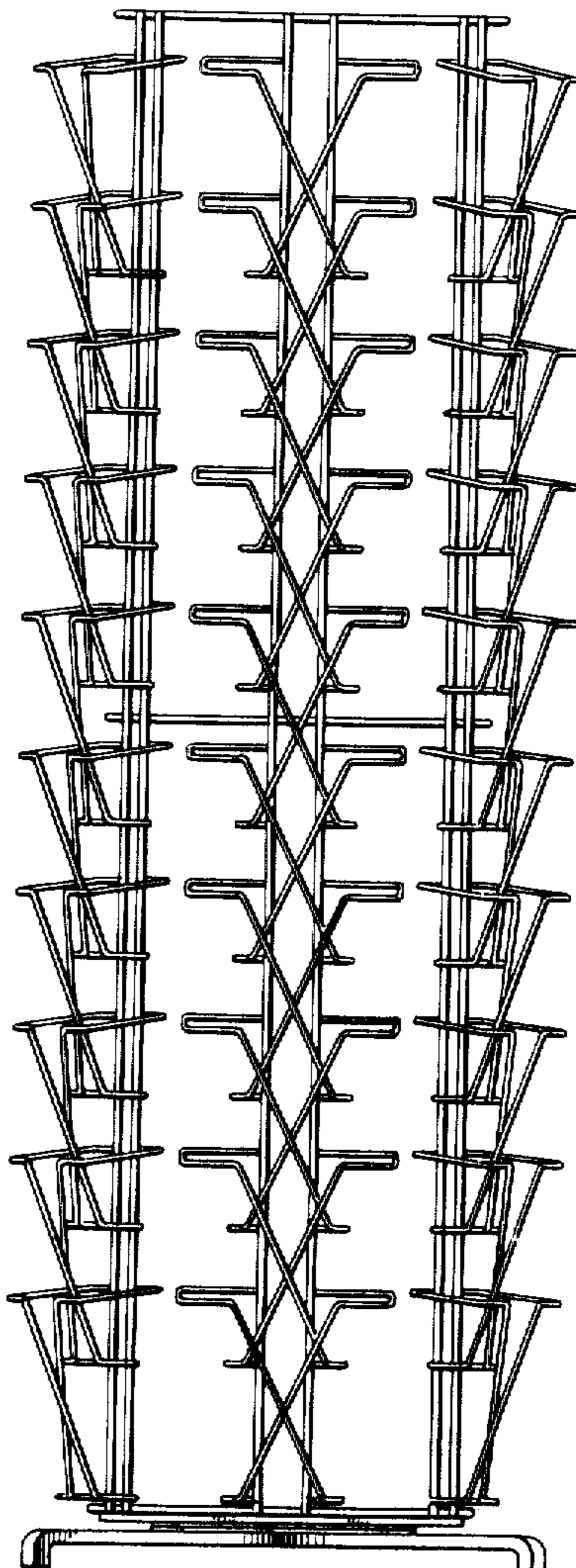


Fig. 2

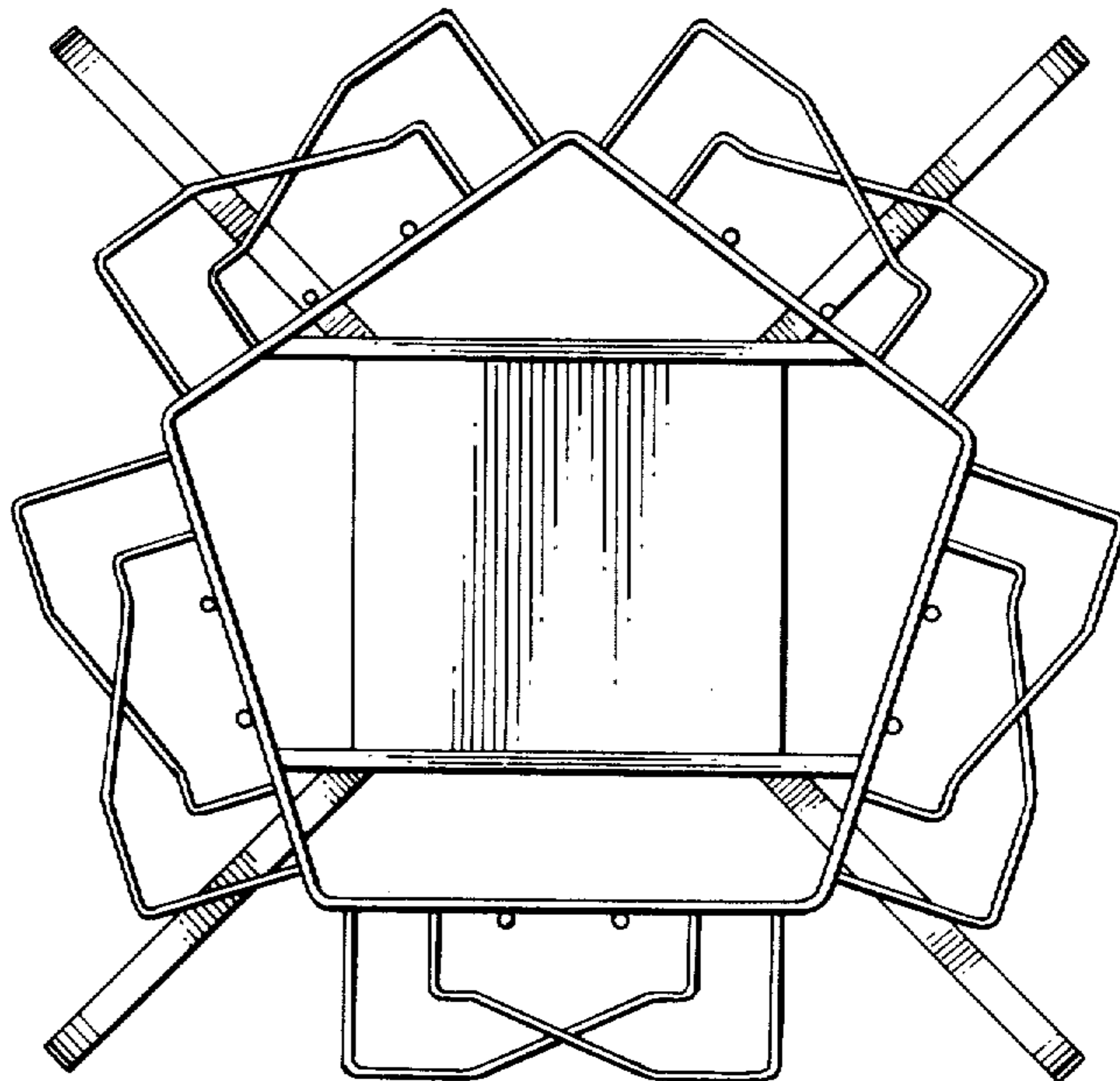


Fig. 1

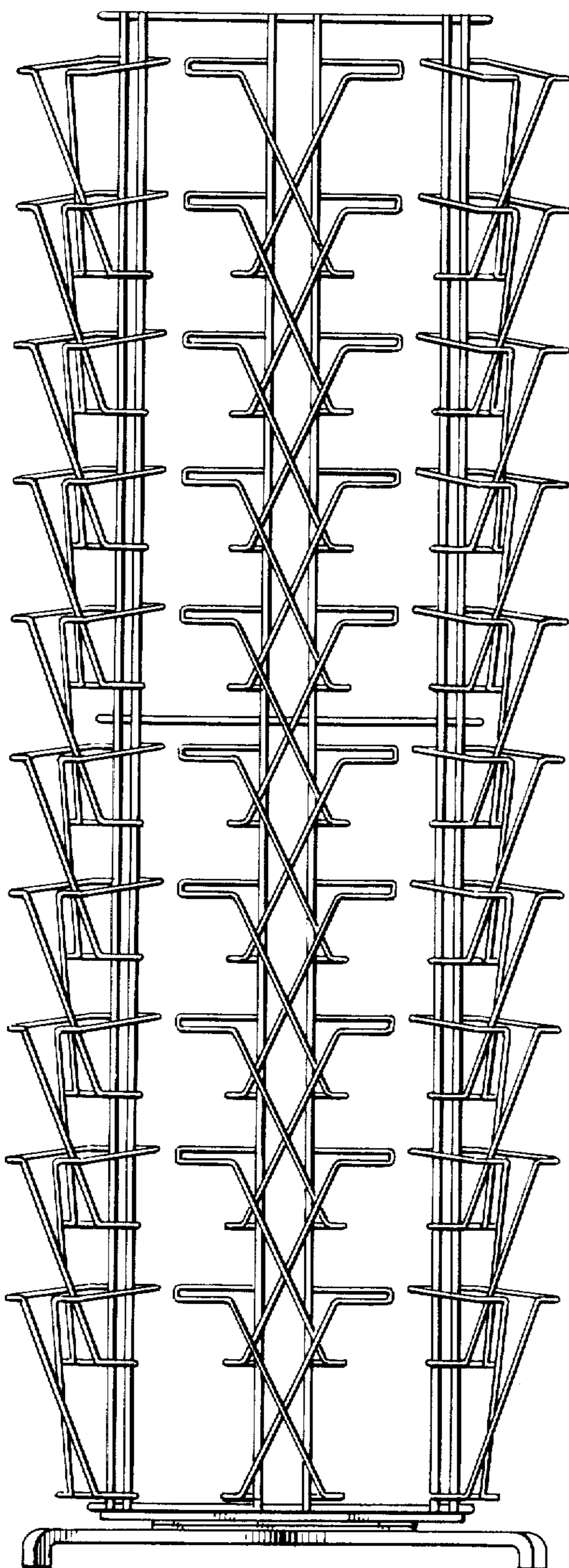


Fig. 3

