

[54] DESK

[76] Inventor: William Sklaroff, 726 E. Conshohocken State Road, Penn Valley, Pa. 19072

[**] Term: 14 Years

[21] Appl. No.: 602,130

[22] Filed: Aug. 5, 1975

[51] Int. Cl. D6-04

[52] U.S. Cl. D6/159

[58] Field of Search D6/25, 157-186

[56] References Cited

U.S. PATENT DOCUMENTS

D. 168,443	12/1952	Gershun	D6/165
D. 226,647	4/1973	Longato	D6/179
D. 238,230	12/1975	Sklaroff	D6/158

OTHER PUBLICATIONS

Industrial Design, Nov. 1972, p. 46, Bench in Panel 7.
Interiors, June 1971, p. 68, R-300 Desk by Roffman.

Primary Examiner—Bruce W. Dunkins
Attorney, Agent, or Firm—Paul Maleson

[57] CLAIM

The ornamental design for a desk, as shown and described.

DESCRIPTION

FIG. 1 is a perspective view taken from the left-front corner and from above of a desk showing my new design;

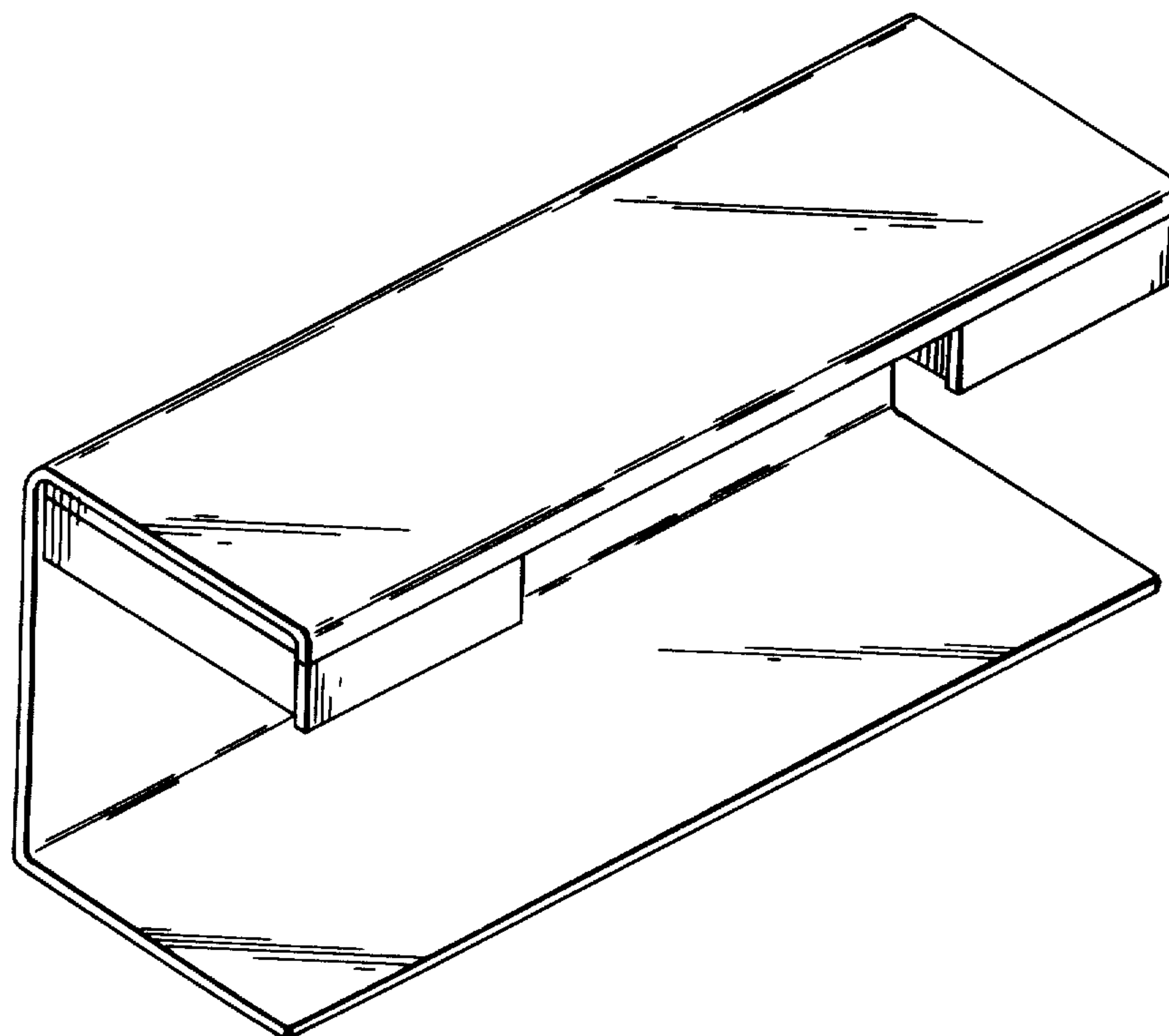
FIG. 2 is an elevational view taken from the right side hereof, and of the alternate embodiment of FIG. 6;

FIG. 3 is a top view thereof, and of the alternate embodiment of FIG. 6;

FIG. 4 is a bottom view thereof and of the alternate embodiment of FIG. 6;

FIG. 5 is a rear view thereof, and of the alternate embodiment of FIG. 6; and

FIG. 6 is a perspective view taken from the left-front corner and from above of a desk showing an alternate embodiment thereof.



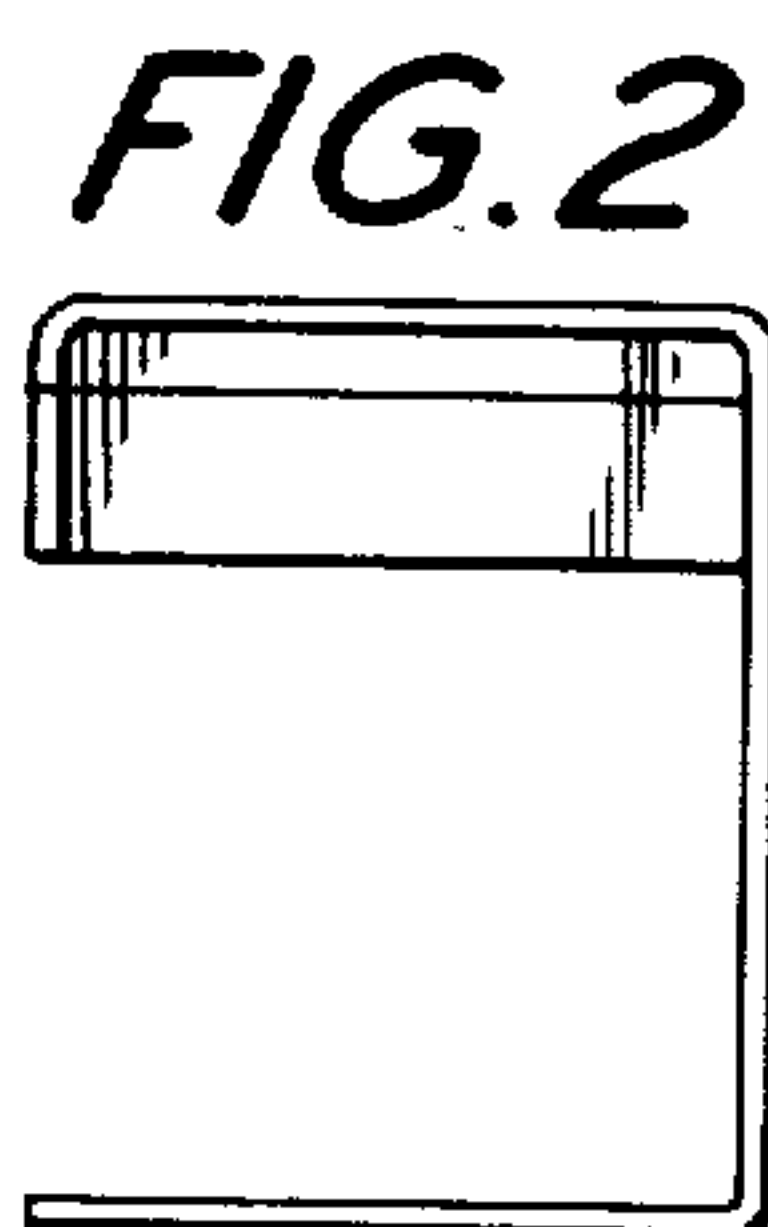
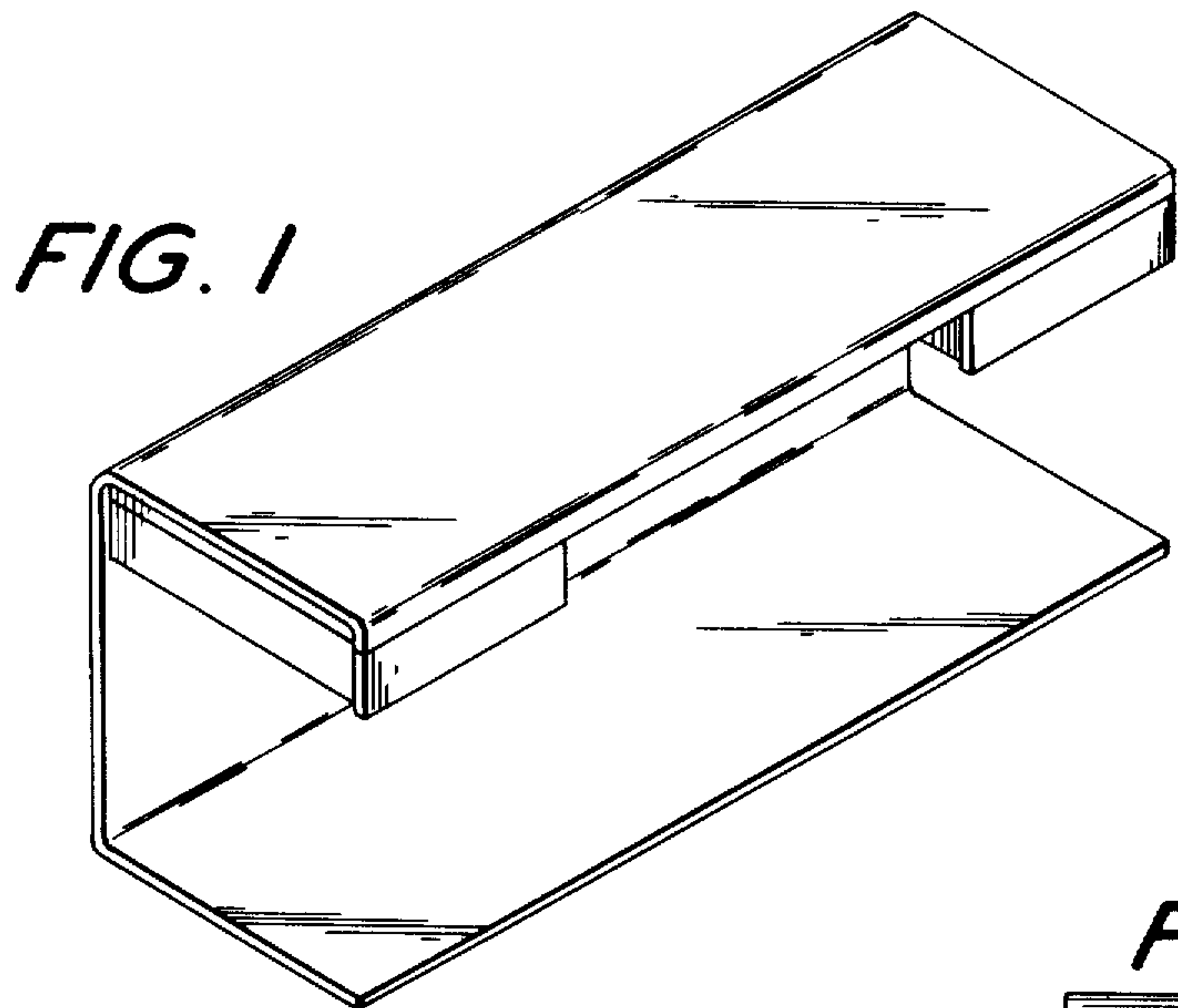


FIG. 3

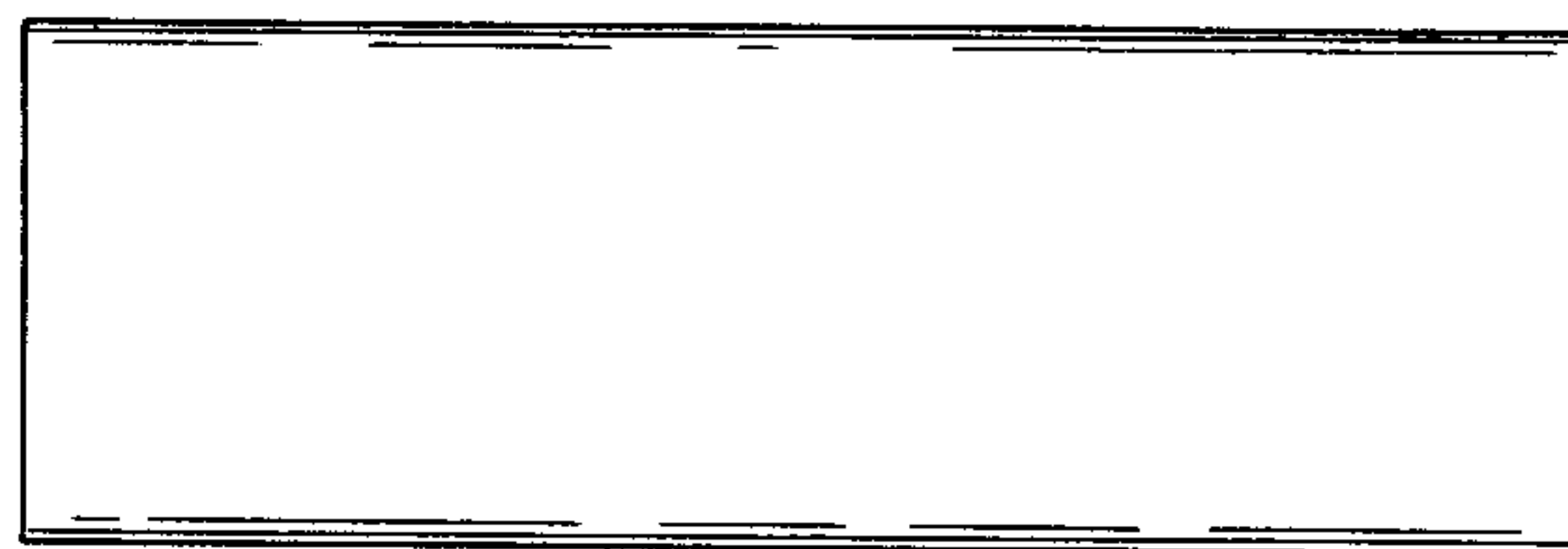


FIG. 4

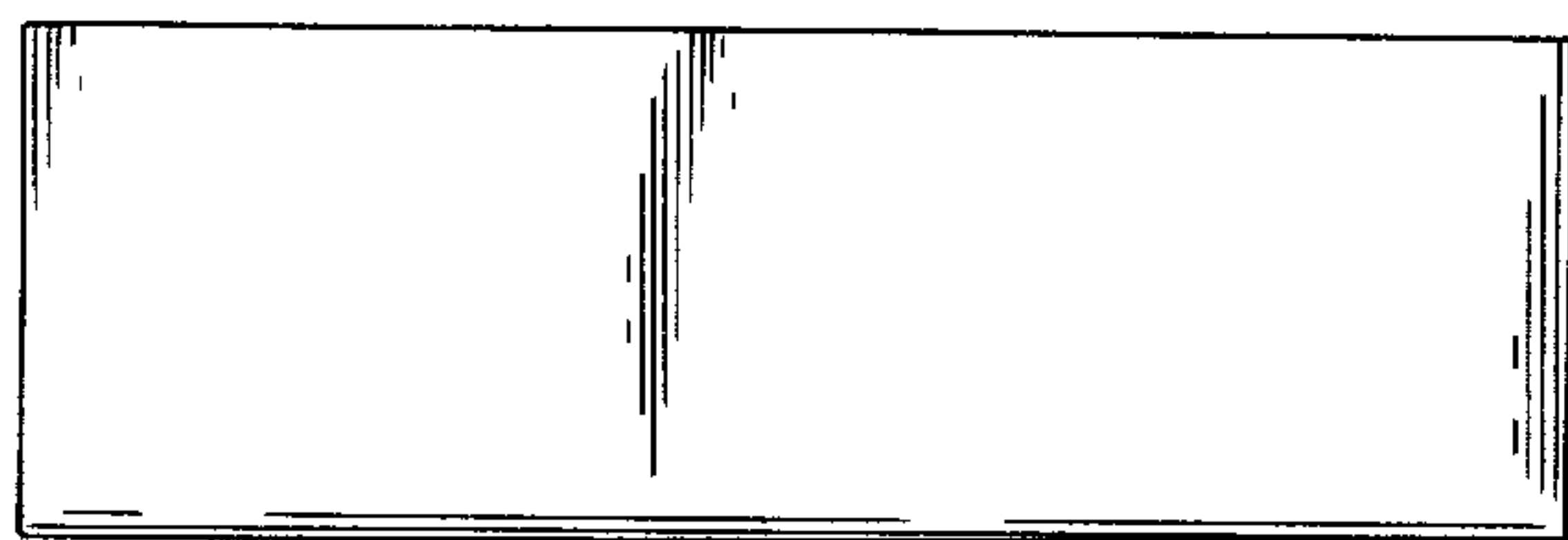


FIG. 5

