

[54] TOILETRIES DISPENSER

[76] Inventor: Joseph A. Leto, Rte. 1, Box 413, Cambridge, Wis. 53523

[\*\*] Term: 14 Years

[21] Appl. No.: 628,108

[22] Filed: Nov. 3, 1975

[51] Int. Cl. .... D9-01

[52] U.S. Cl. .... D6/95

[58] Field of Search ..... D6/86, 89, 90, 91, 95, D6/96, 97, 127, 145; 222/173, 185

[56] References Cited

U.S. PATENT DOCUMENTS

D. 228,844 10/1973 Hilgendorff et al. .... D6/95

OTHER PUBLICATIONS

Sweet's Architectural Catalog File, 1973, Sec. 10.16/Bo., p. 25, Lather Valve B-861.

Primary Examiner—Alan P. Douglas

Assistant Examiner—B. J. Bullock

Attorney, Agent, or Firm—Theodore J. Long

[57] CLAIM

The ornamental design for a toiletries dispenser, as shown and described.

DESCRIPTION

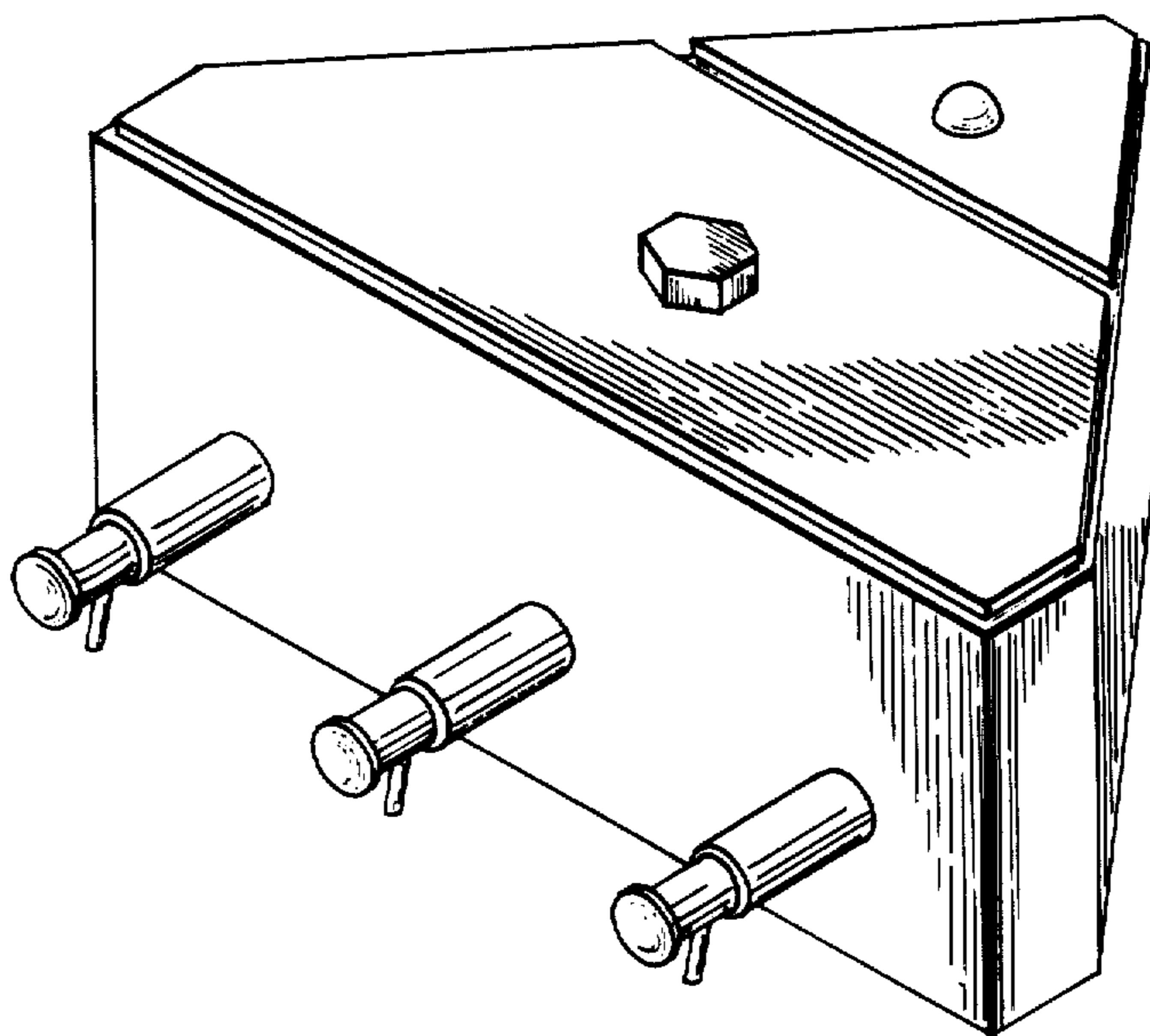
FIG. 1 is an isometric view of a toiletries dispenser showing my new design;

FIG. 2 is a top plan view thereof;

FIG. 3 is a side elevational view thereof;

FIG. 4 is a front elevational view thereof.

The bottom is flat and unornamented.



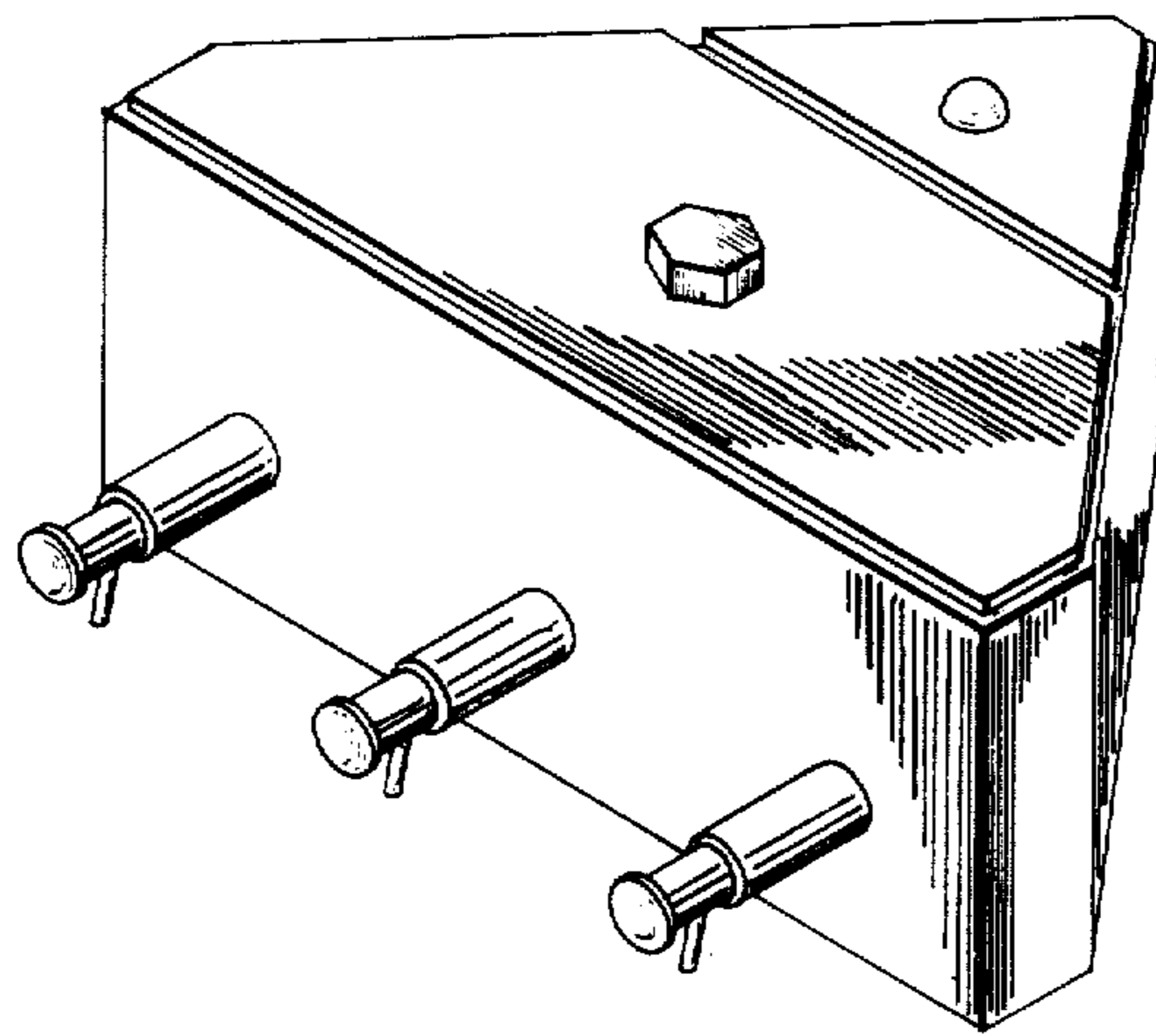


FIG. 1

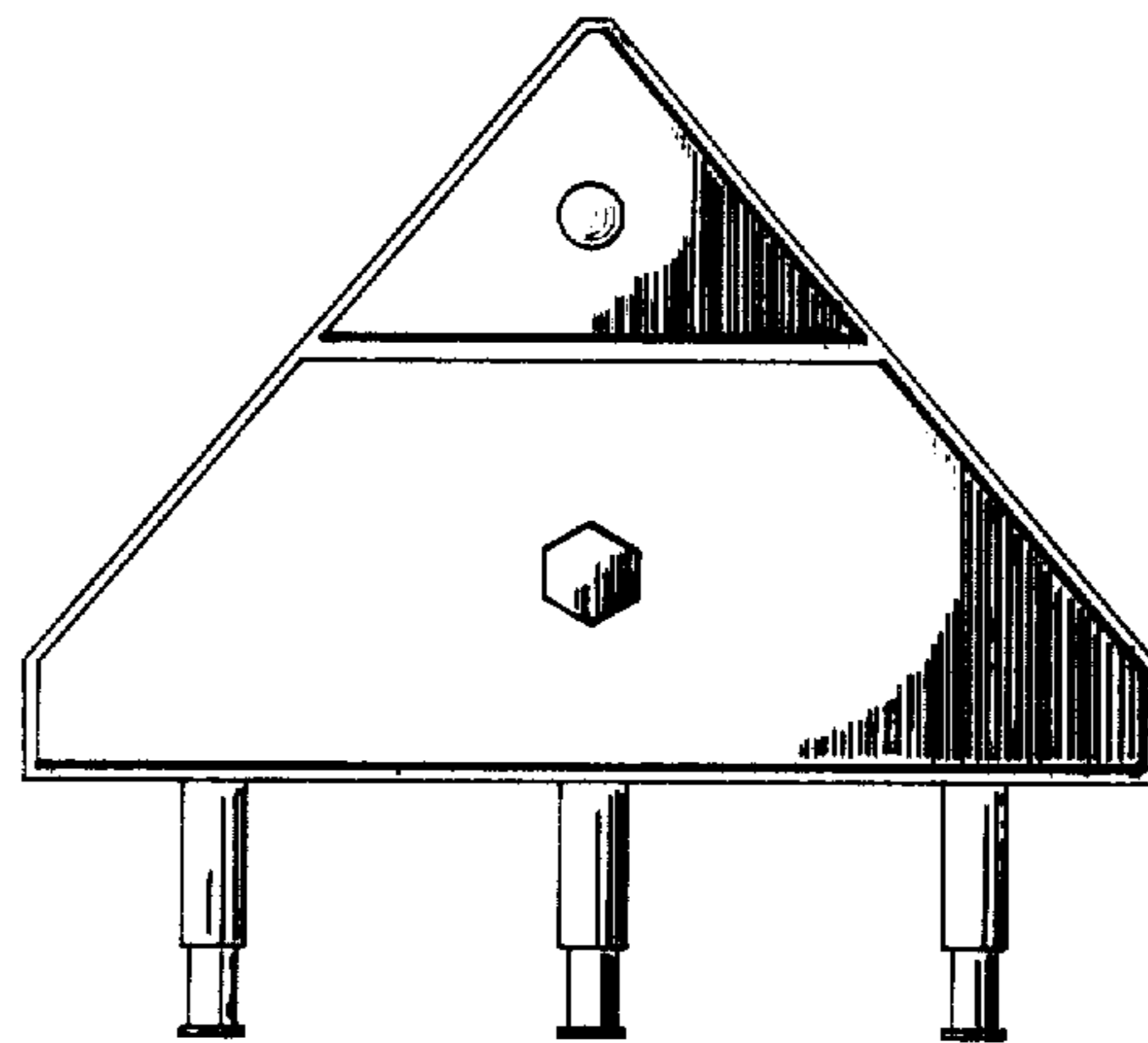


FIG. 2

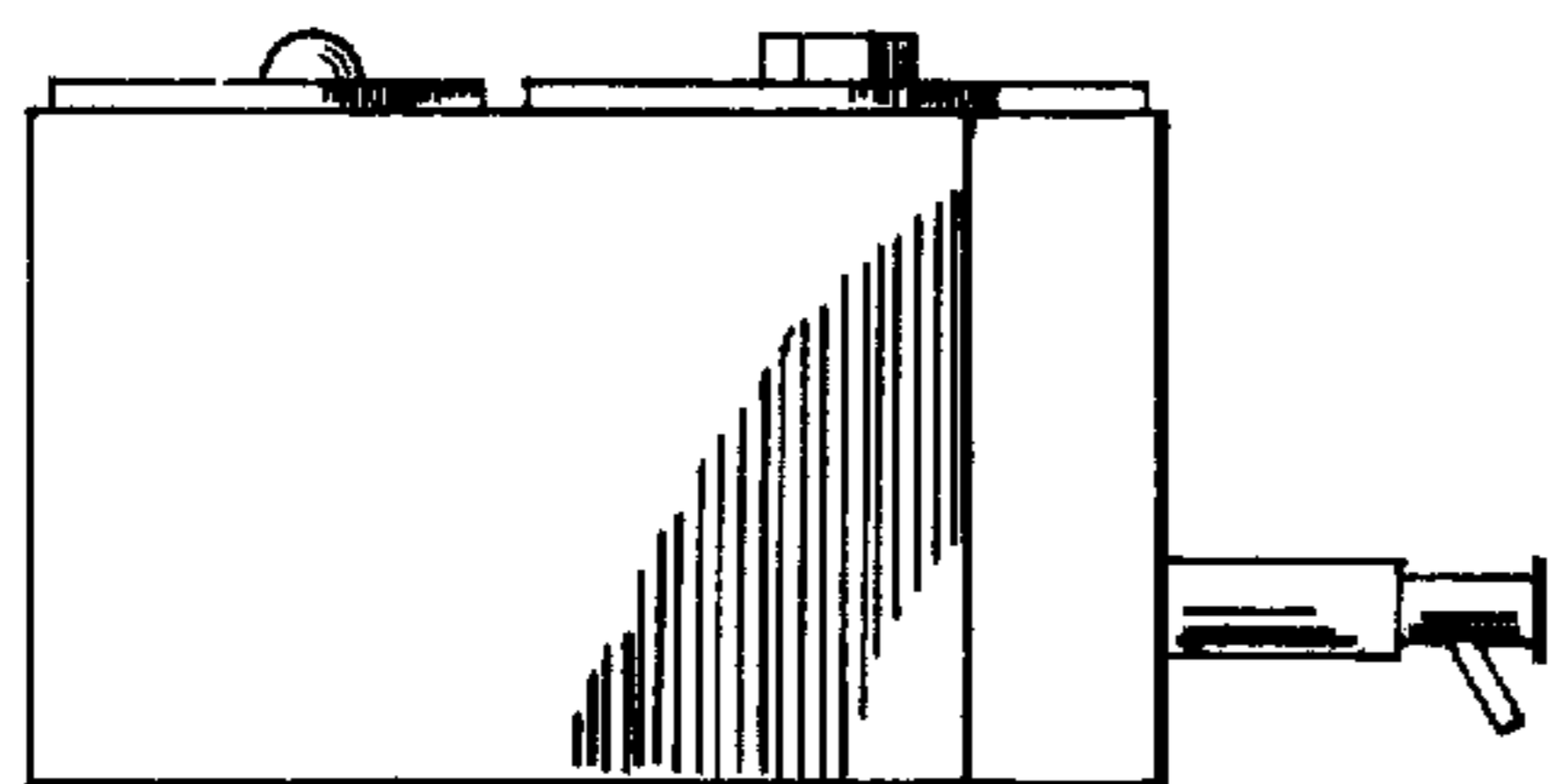


FIG. 3

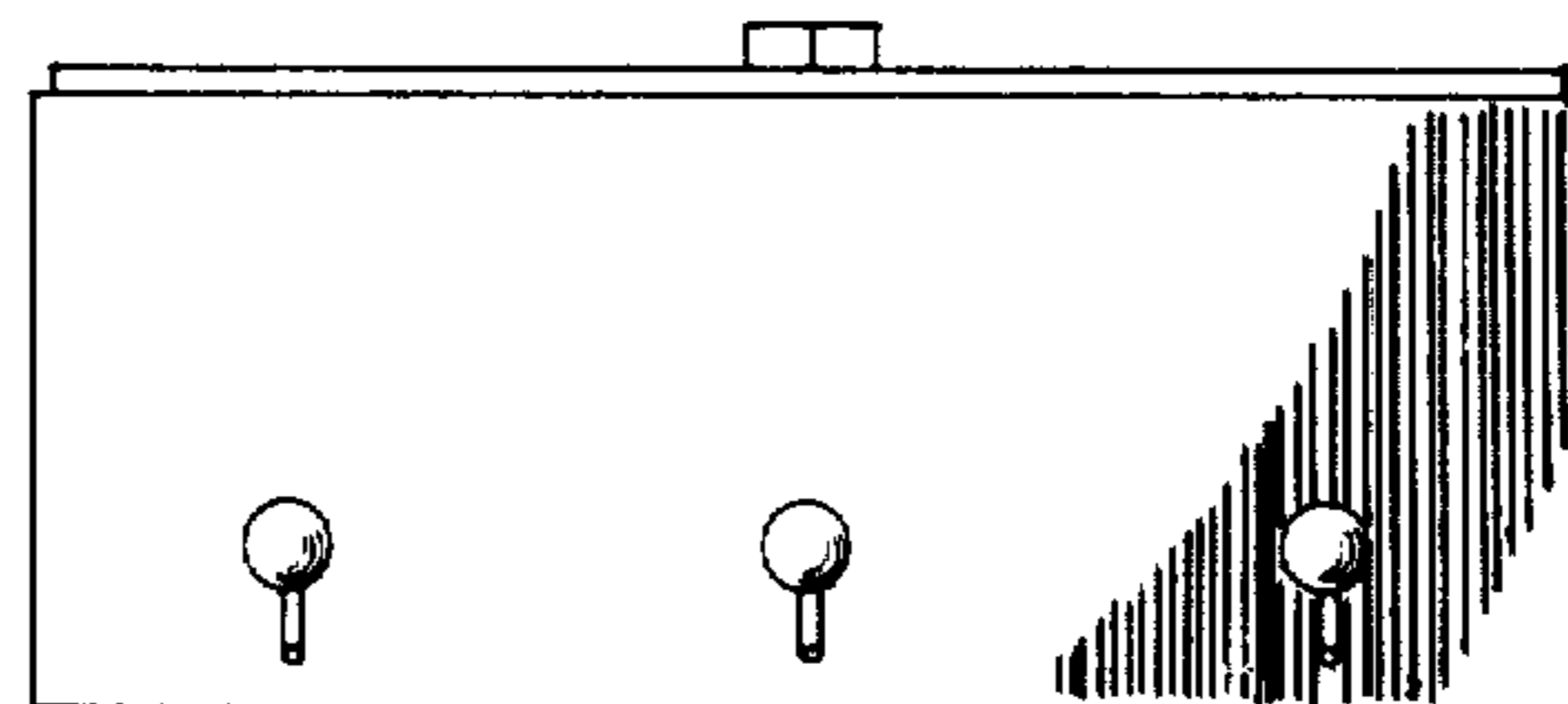


FIG. 4