

[54] **PIVOTING SOAP TRAY**
 [75] Inventor: **Edouard Hewak**, Voves, France
 [73] Assignee: **Societe Balneo S.A.R.L.**, Arcueil, France
 [**] Term: **14 Years**
 [21] Appl. No.: **347,524**
 [22] Filed: **Apr. 3, 1973**
 [51] Int. Cl. **D6-04**
 [52] U.S. Cl. **D6/90**
 [58] Field of Search **D6/86-103;**
 D86/10 A; 248/309; 312/245, 246, 248-252,
 270 B, 17 R, 326-329

[56] **References Cited**
U.S. PATENT DOCUMENTS
 710,440 10/1902 Dickinson 312/248 X

D. 53,557 7/1919 Baker D6/90
 D. 120,982 6/1940 Bernikow D6/90

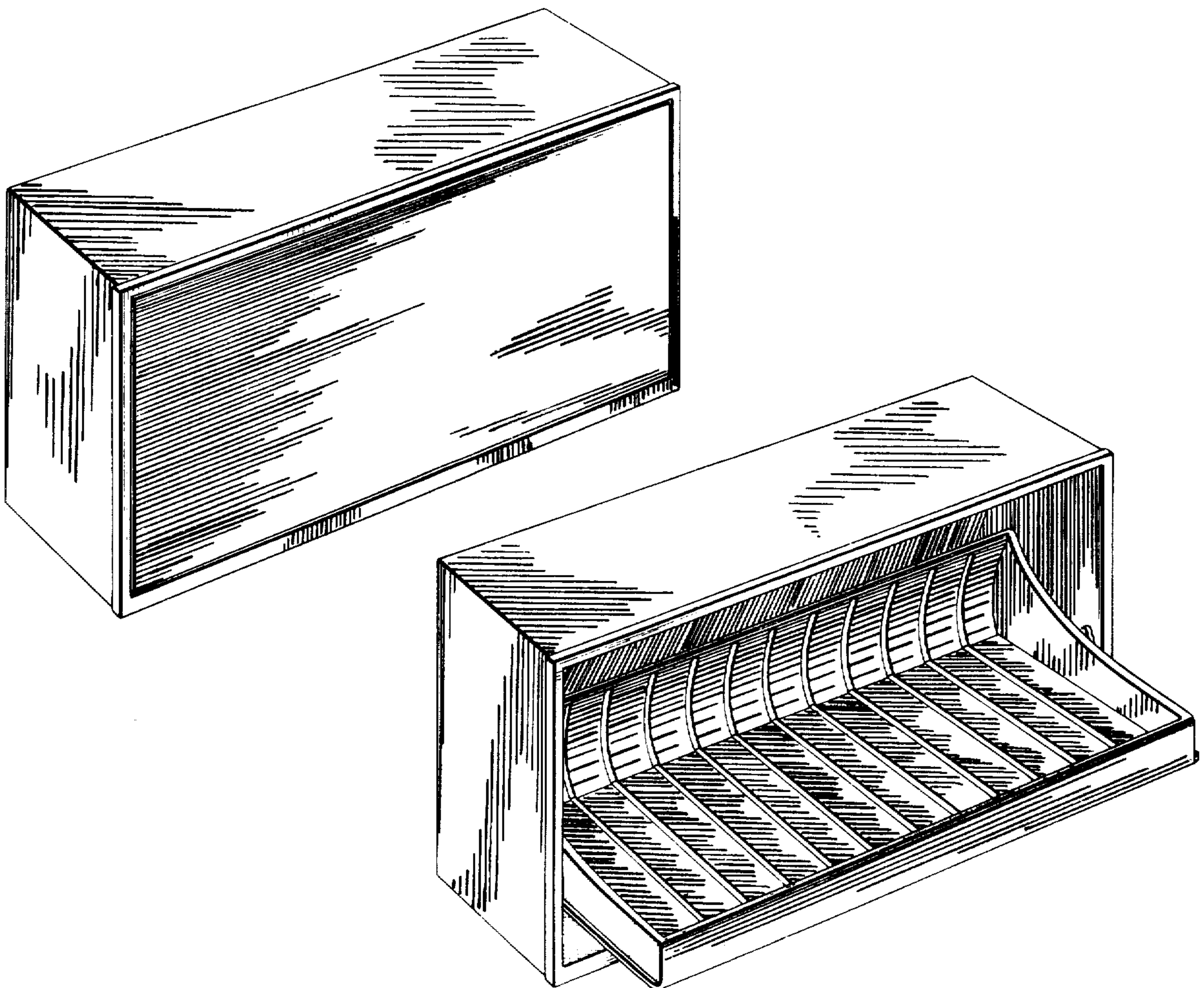
Primary Examiner—Alan P. Douglas
Assistant Examiner—Catherine Kemper
Attorney, Agent, or Firm—Richard C. Sughrue

[57] **CLAIM**

The ornamental design for a pivoting soap tray, as shown and described.

DESCRIPTION

FIG. 1 is a perspective view of a pivoting soap tray, showing my new design, shown in a closed position; FIG. 2 is a perspective view thereof, shown in an open position; FIG. 3 is a front elevational view thereof; FIG. 4 is a side elevational view thereof; FIG. 5 is a rear elevational view thereof.



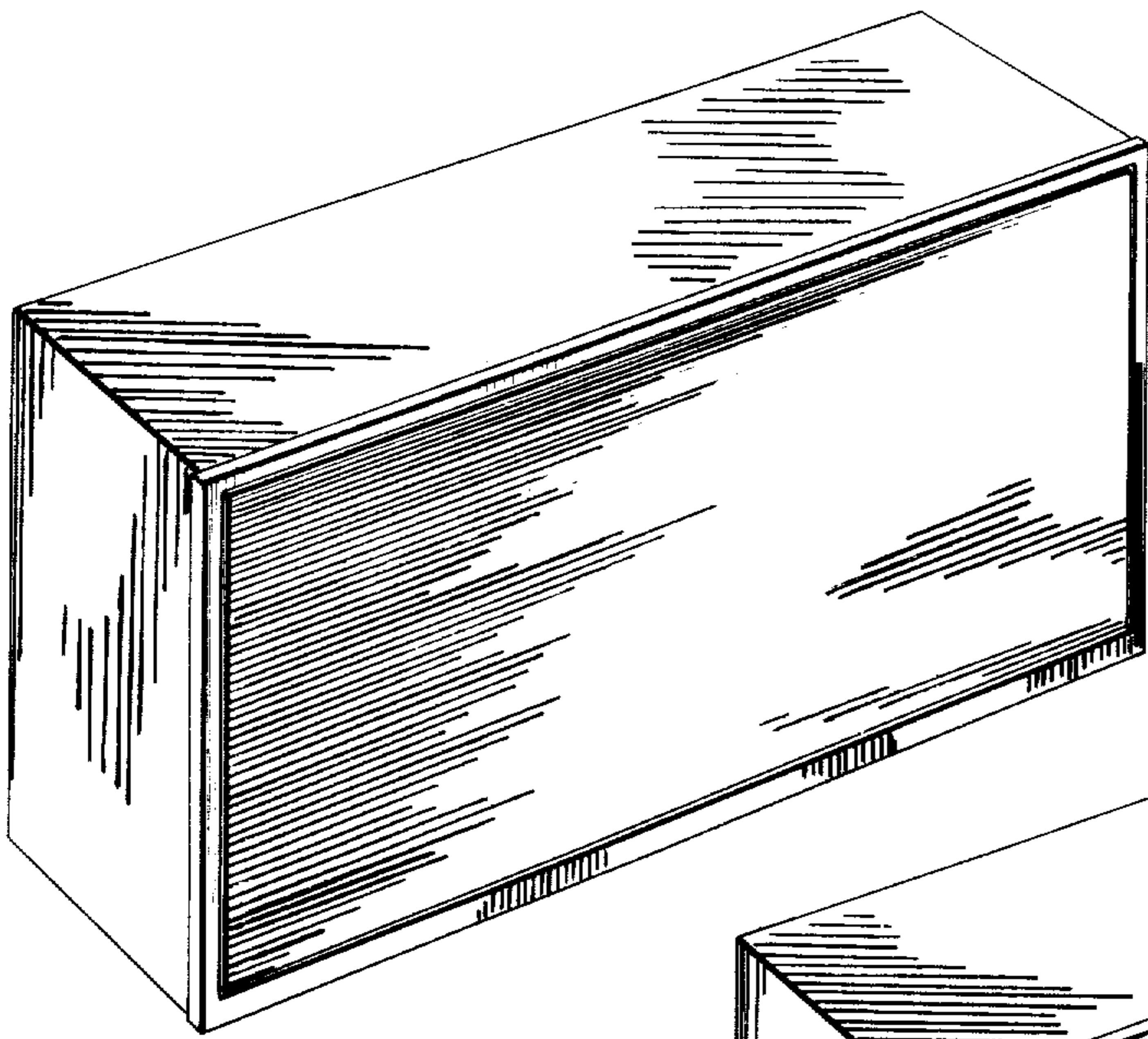


FIG. 1

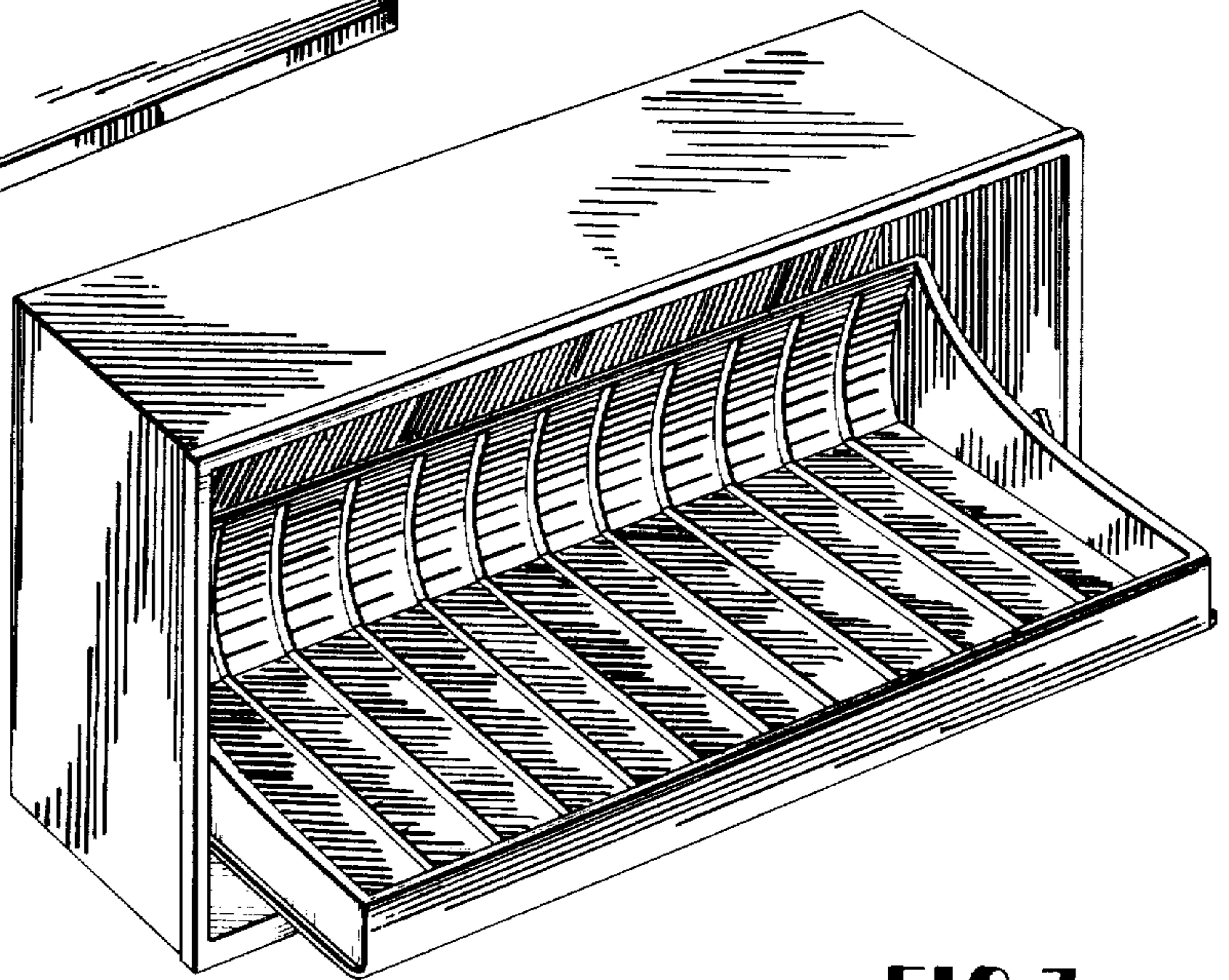


FIG. 2

FIG. 4

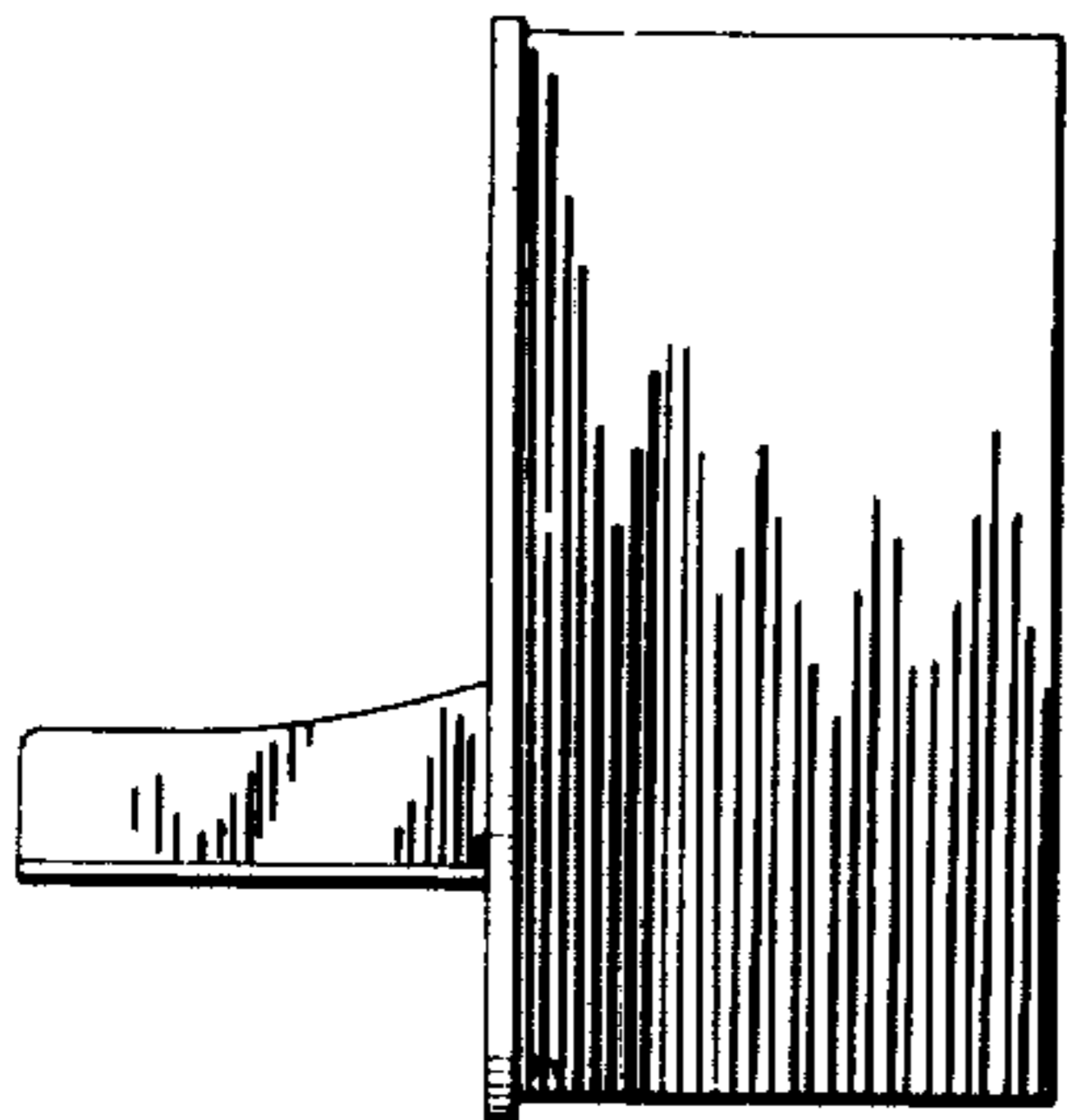


FIG. 3

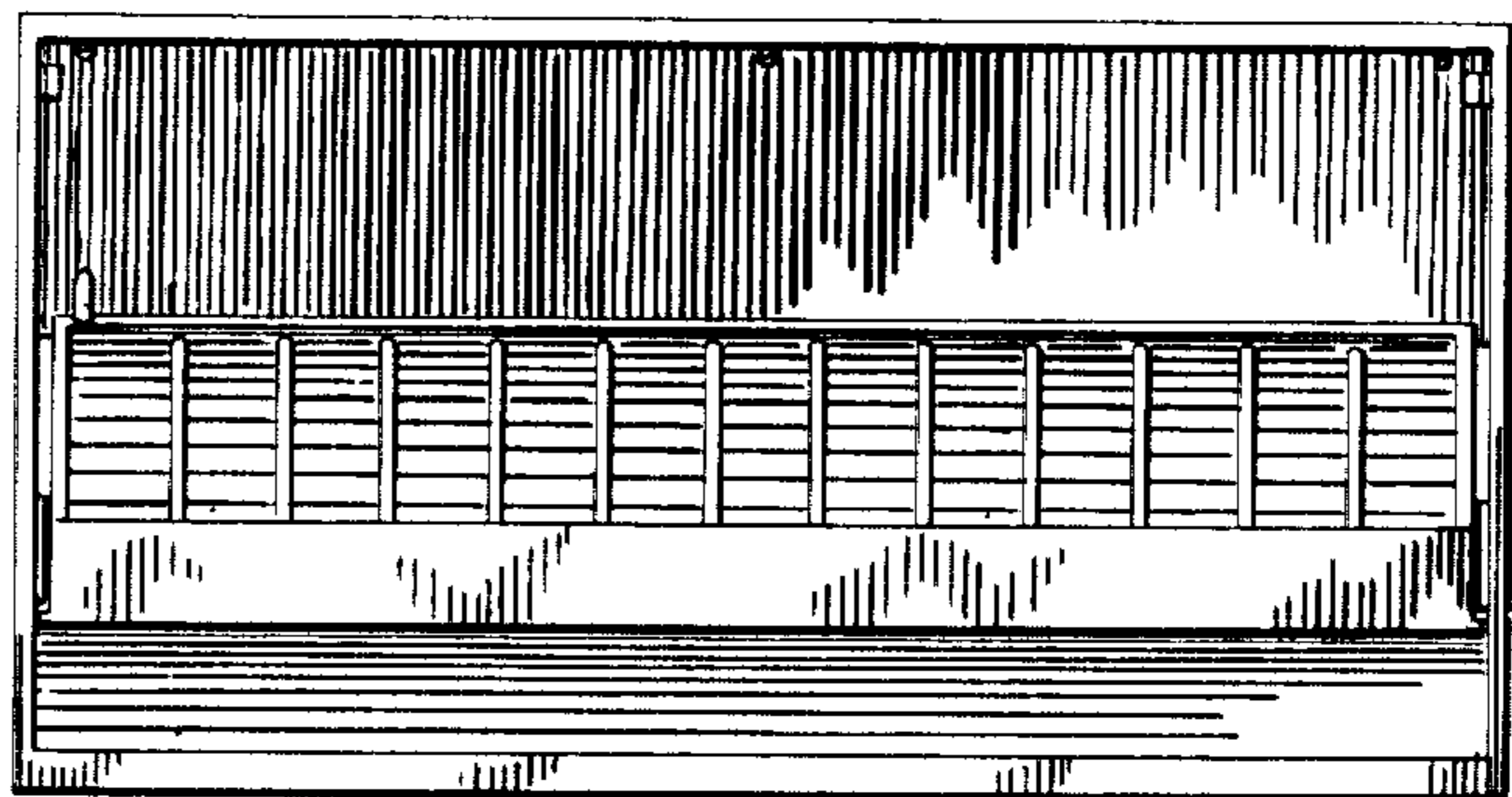


FIG. 5

