

- [54] COMBINED BRUSH AND SPONGE
[75] Inventor: Jack W. Kaufman, Merrick, N.Y.
[73] Assignee: Bio Med Plastics, Inc., Merrick, N.Y.
[**] Term: 14 Years
[21] Appl. No.: 594,306
[22] Filed: July 9, 1975
[51] Int. Cl. D4-02
[52] U.S. Cl. D4/17
[58] Field of Search D4/1-36;
D7/178-185; D86/13, 14; D83/1 R, 1 S, 1 T;
401/28, 268, 291; 15/105, 106, 107, 110, 114,
116 A, 118, 159 R, 159 A, 160, 167 R, 167 A,
167 B, 186, 187, 188, 208, 209 R, 210 R, 244
R, 244 A, 244 B, 244 C, 244 CH

[56] **References Cited**

U.S. PATENT DOCUMENTS

3,843,991	10/1974	Vallis	15/167 B
D. 227,718	7/1973	Kaufman	D4/17
D. 236,666	9/1975	Kaufman	D4/17

FOREIGN PATENT DOCUMENTS

1,229,982 1966 Germany 15/160

Primary Examiner—Alan P. Douglas
Assistant Examiner—Catherine Kemper
Attorney, Agent, or Firm—Burton L. Lilling

[57] **CLAIM**

The ornamental design for a combined brush and sponge, substantially as shown and described.

DESCRIPTION

FIG. 1 is a perspective view of a combined brush and sponge, shown with the sponge portion partly broken away, to complete the disclosure;

FIG. 2 is a side elevational view thereof;

FIG. 3 is an end elevational view thereof;

FIG. 4 is a bottom plan view thereof, shown in fragmentary form for convenience of illustration; and

FIG. 5 is a sectional view taken along the line 5-5 of FIG. 3.

The rows of bristles are continuous along the line indicated in FIG. 2 and are shown fragmentarily for convenience of illustration.

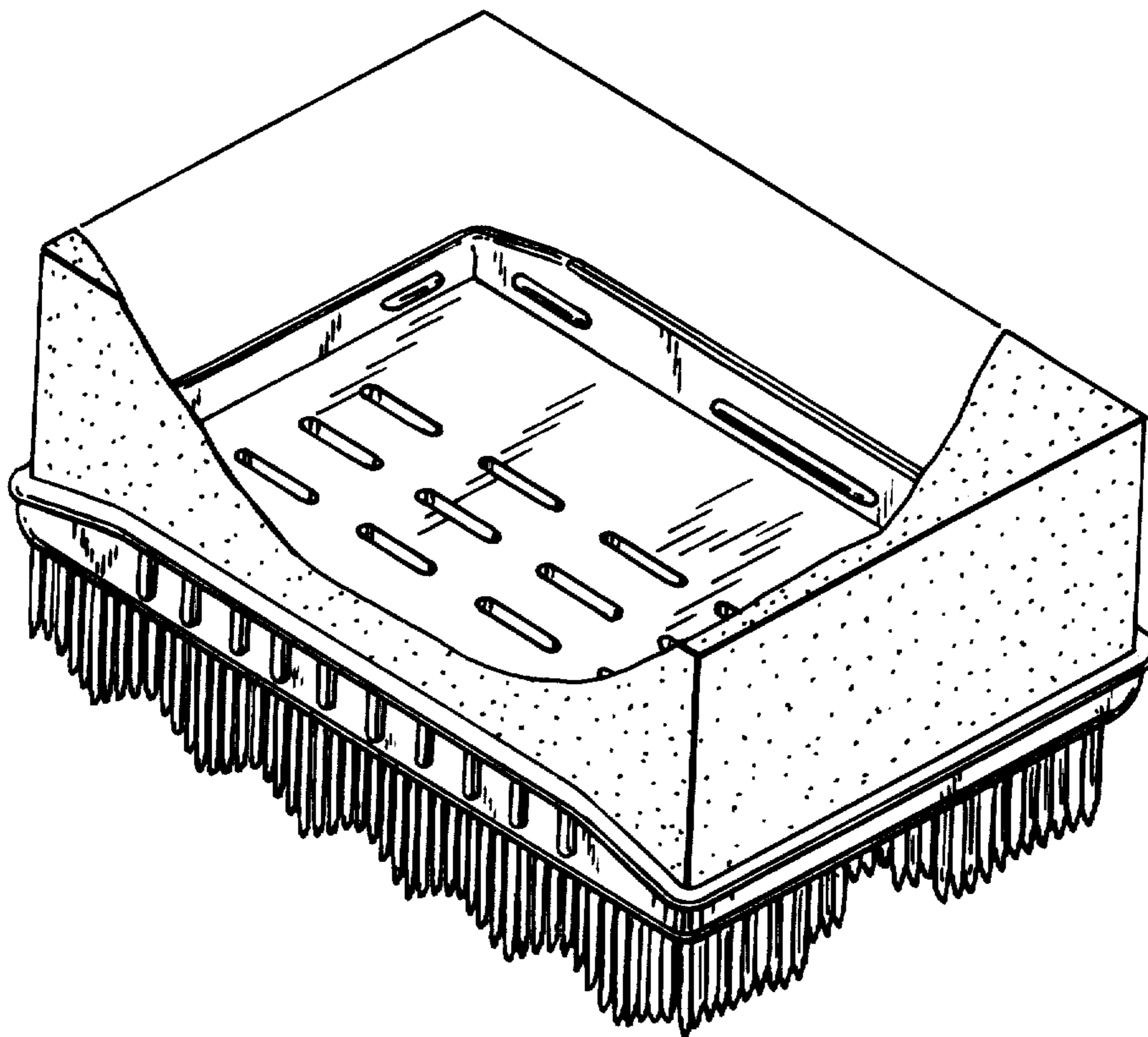


FIG. 1

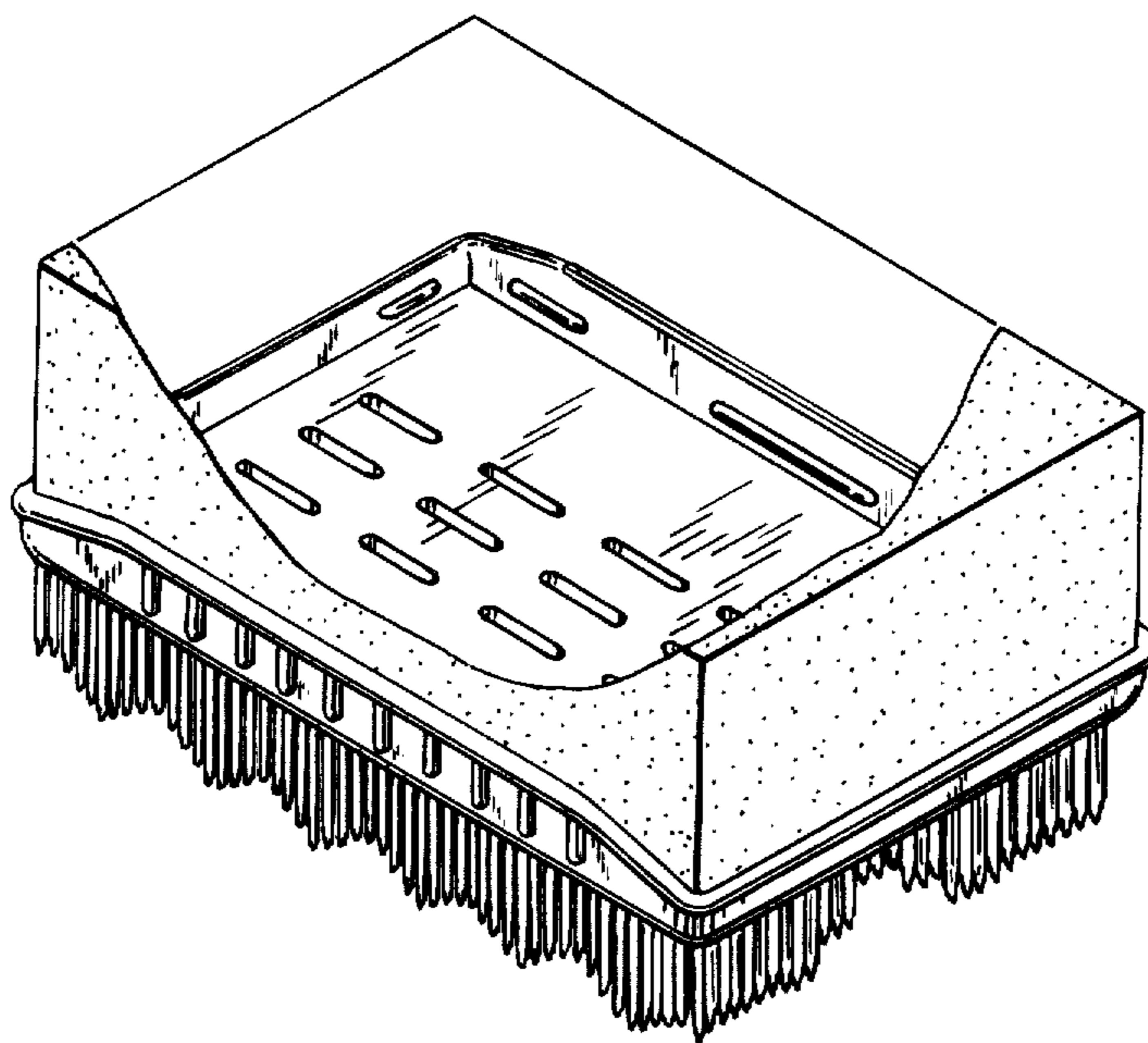


FIG. 2

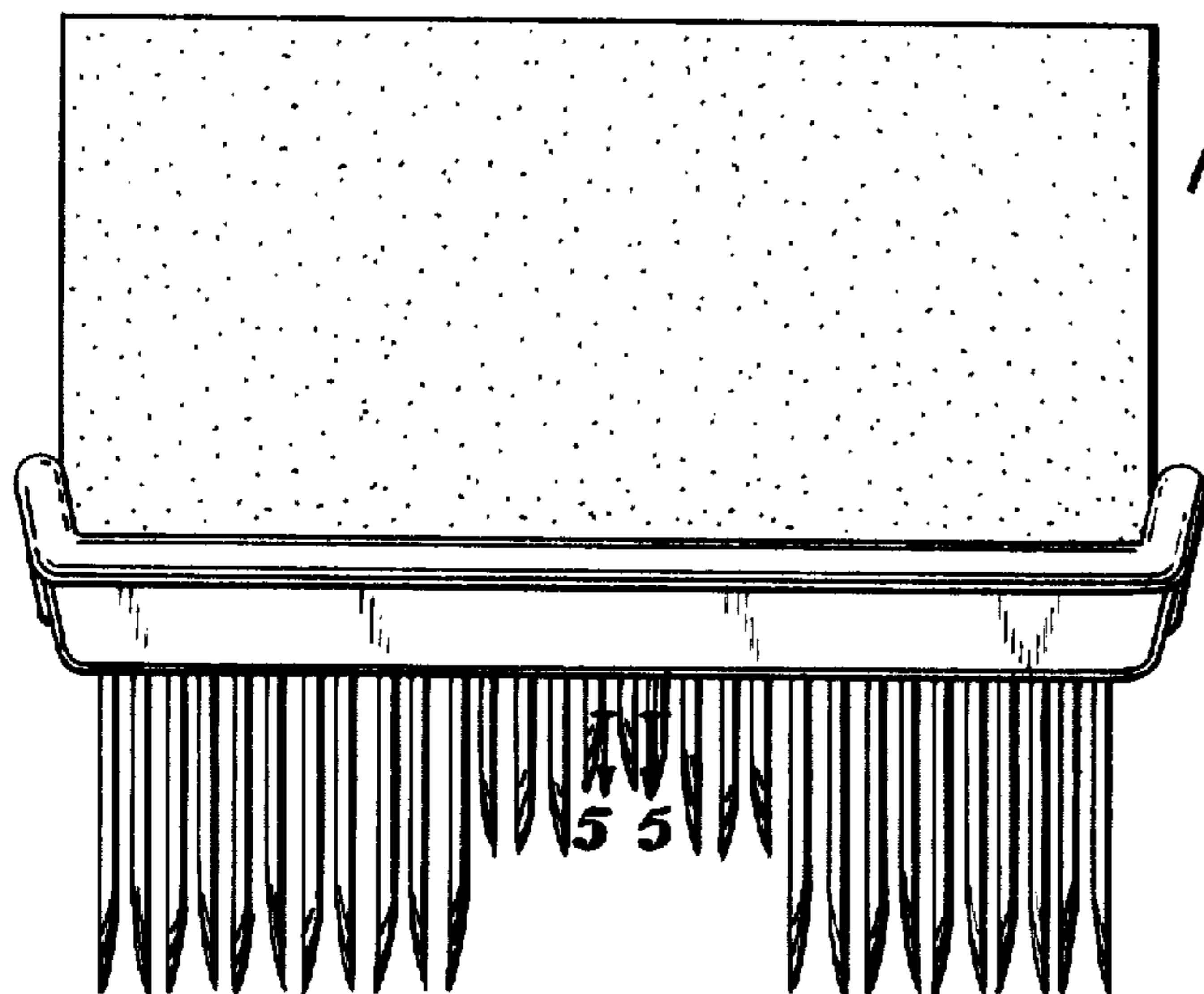
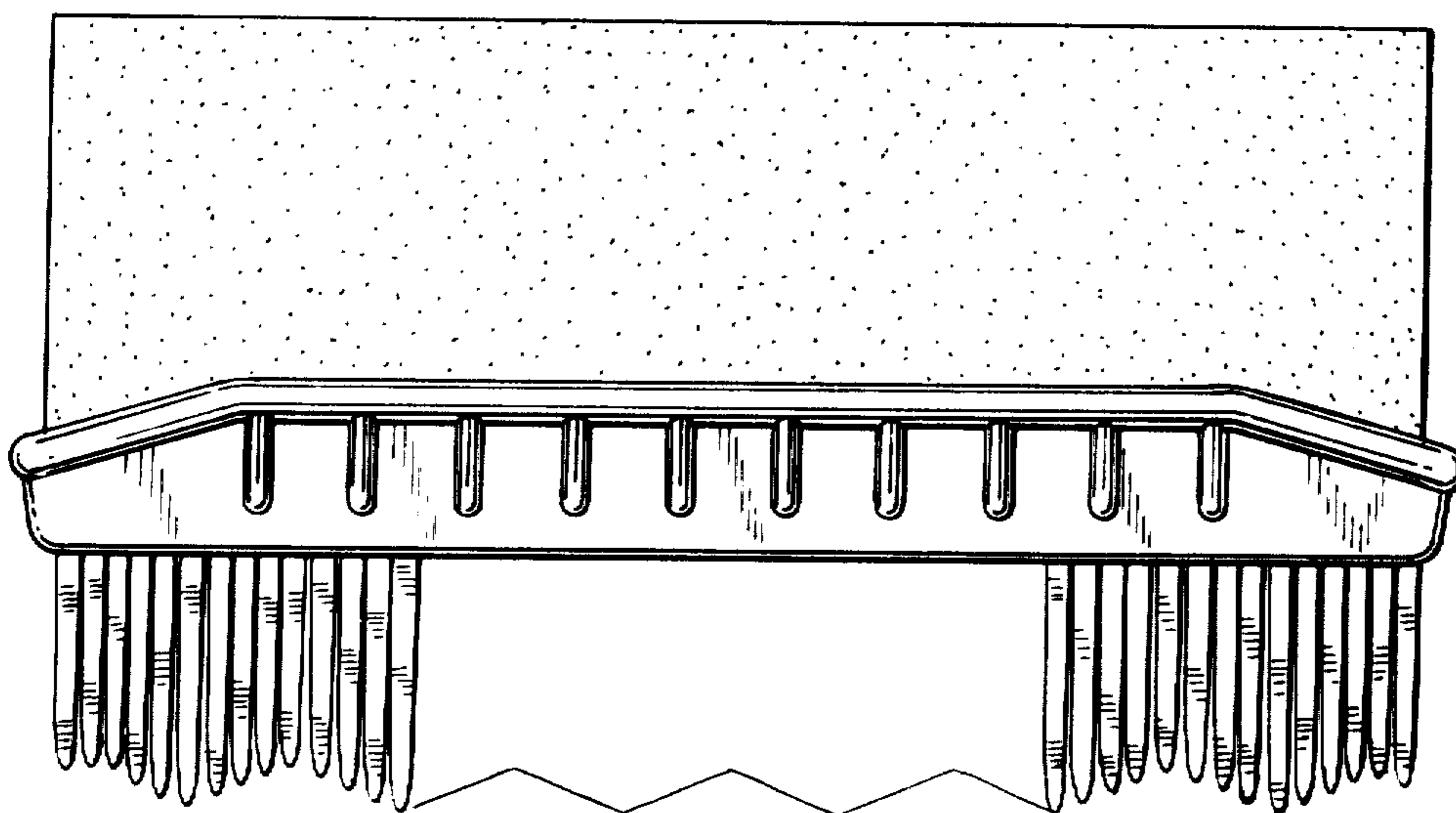


FIG. 3

FIG. 5

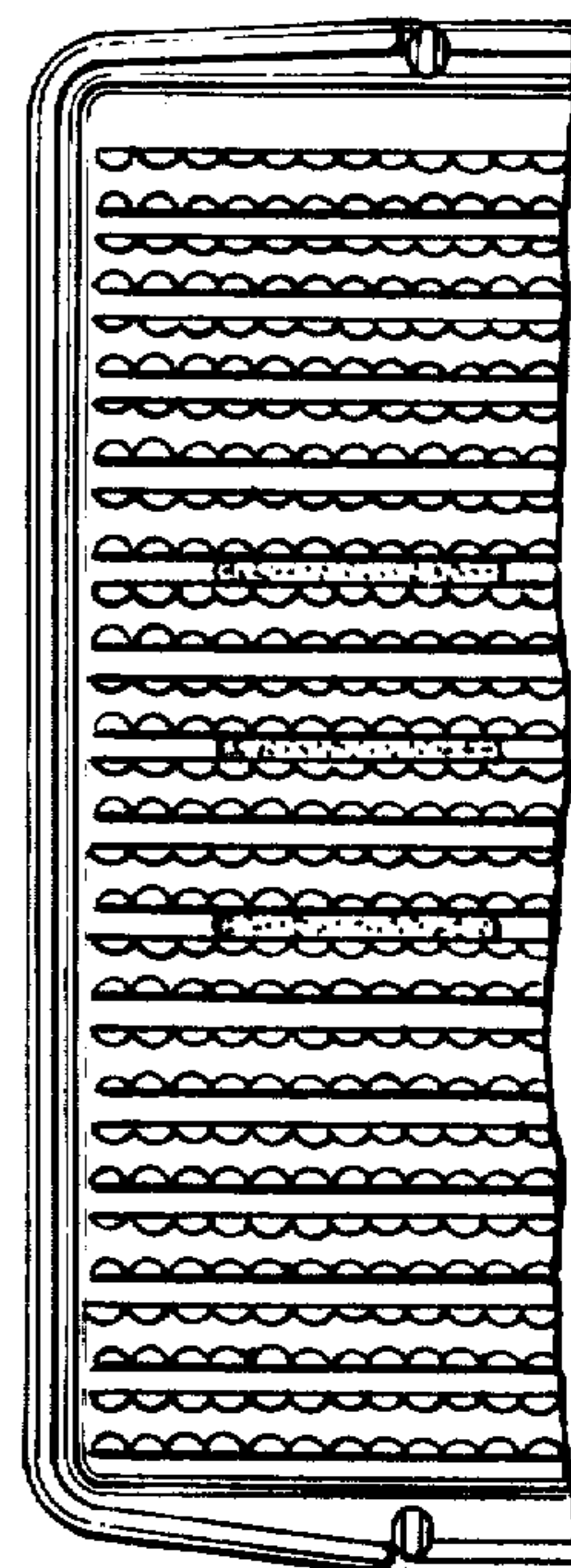


FIG. 4