

208,540

AUXILIARY AUTOMOBILE HOOD

Eric H. Joelson, 132 Castile St., Venice, Fla. 33595, and
Julian A. Brown, Loreta Court, East Nokomis, Fla.
33555

Filed Oct. 14, 1966, Ser. No. 4,281

Term of patent 7 years

(Cl. D14—18)

FIG. 1

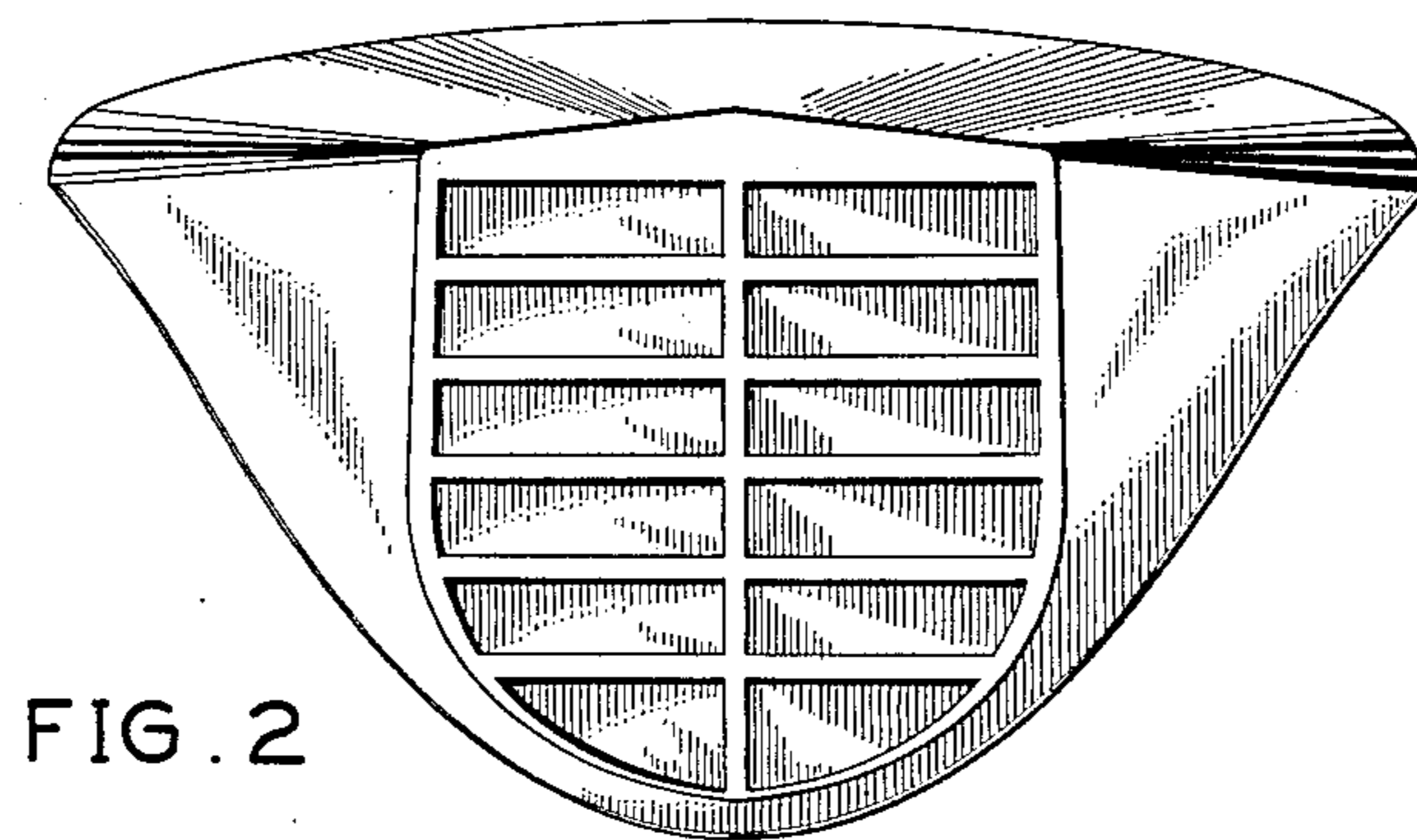
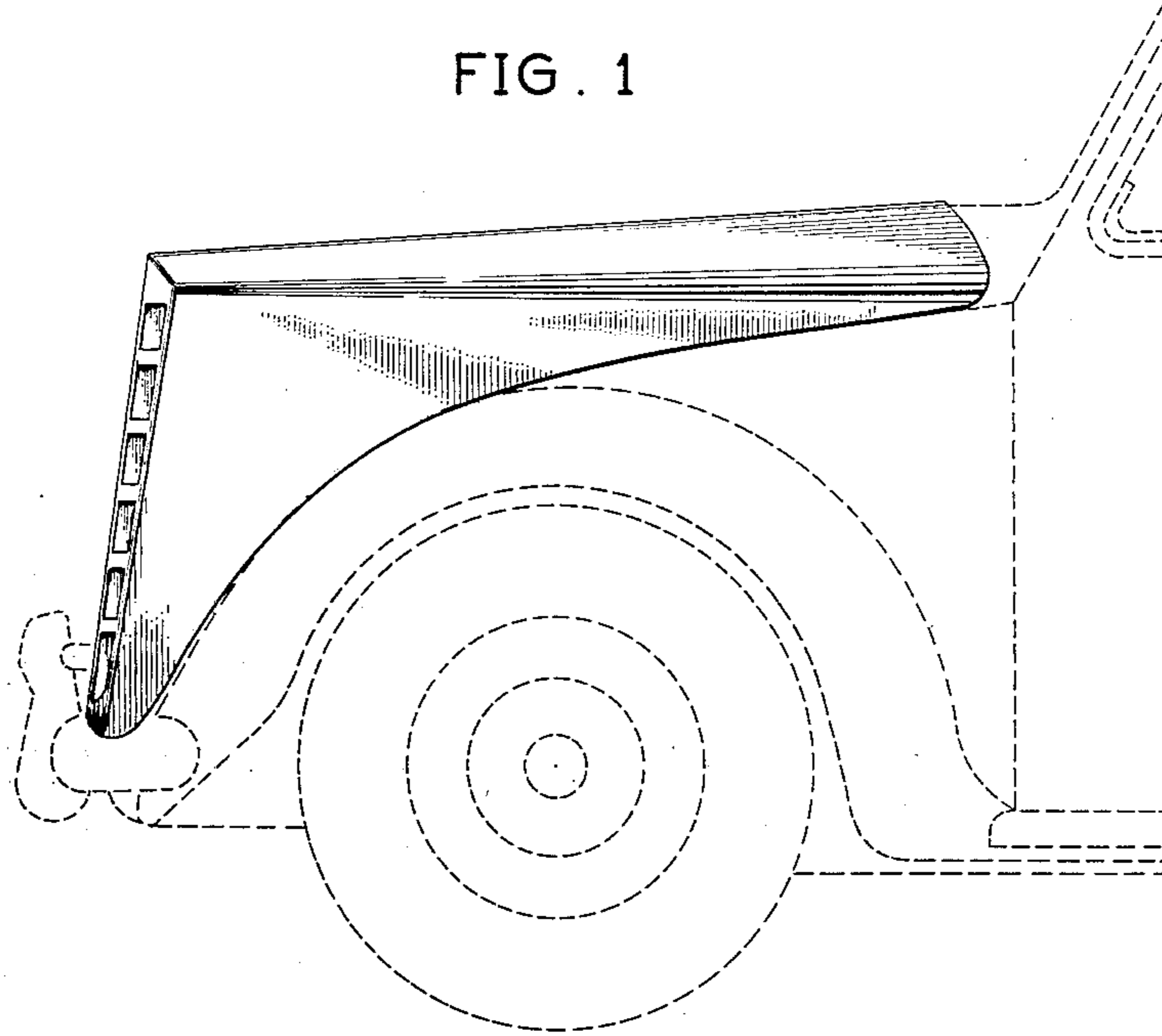


FIG. 2

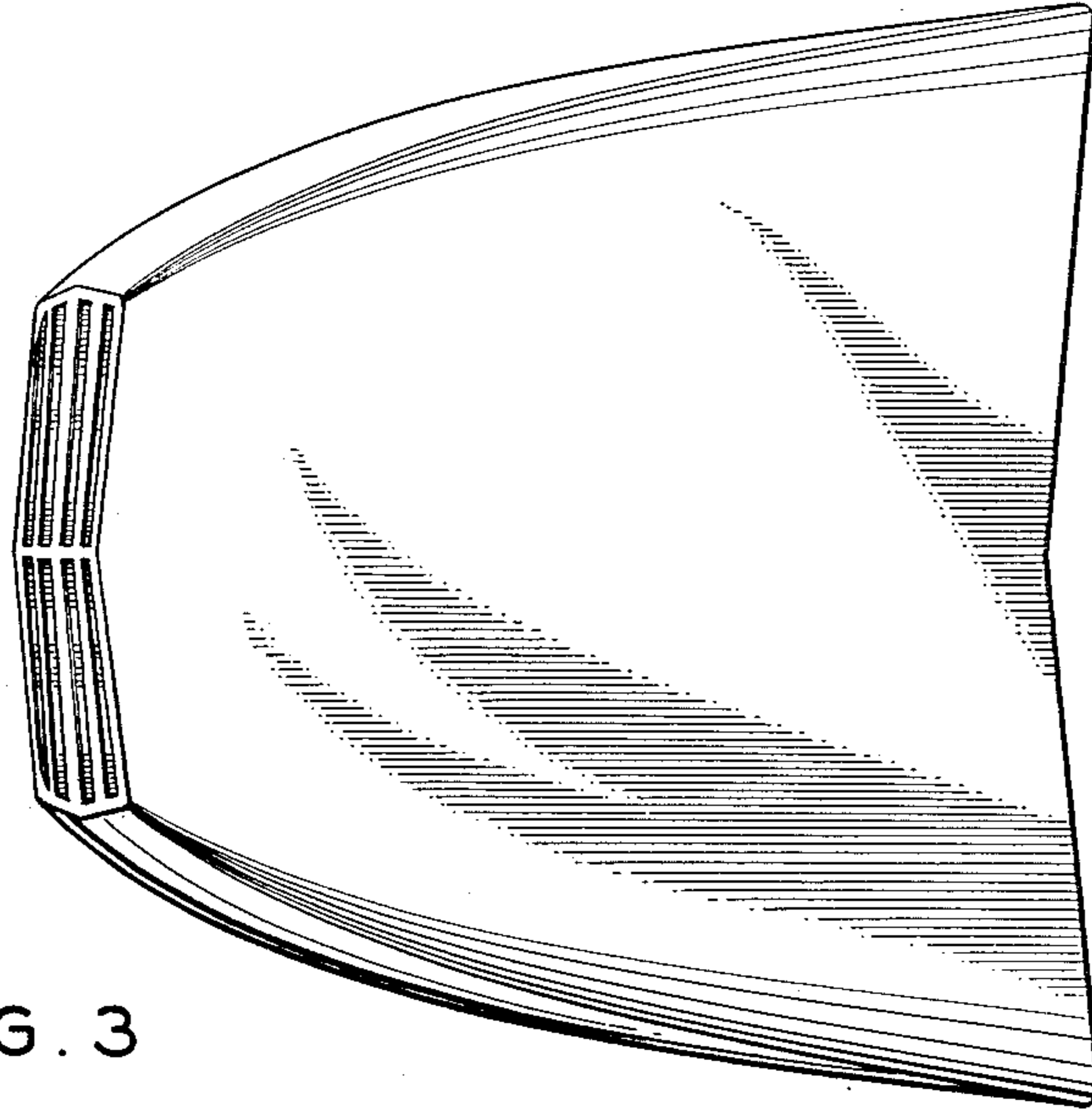


FIG. 3

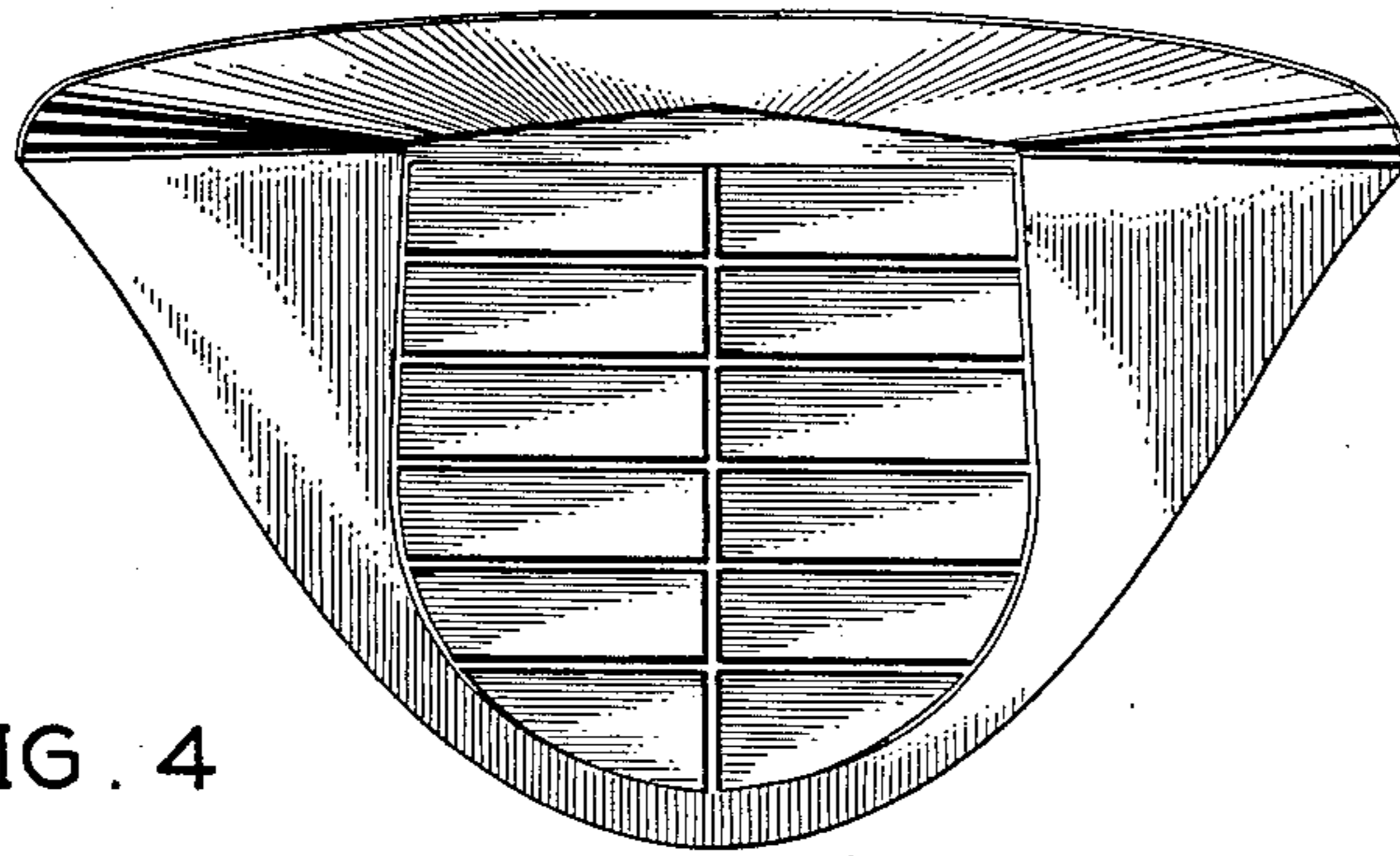


FIG. 4

FIG. 1 is a side elevation of an auxiliary automobile hood showing our new design.

FIG. 2 is a front elevation thereof.

FIG. 3 is a top plan view thereof.

FIG. 4 is a rear elevation thereof.

The automobile shown fragmentarily in broken lines in FIG. 1 is included for illustrative purposes only.

We claim:

The ornamental design for an auxiliary automobile hood, as shown and described.

References Cited

UNITED STATES PATENTS

D. 93,694	10/1934	Tjaarda	-----	D14-18
D. 176,873	2/1956	Mascuch	-----	D14-3
D. 185,402	6/1959	Victor	-----	D14-18 X
1,888,719	11/1932	Calamb.		

OTHER REFERENCES

Volkswagen brochure, received Jan. 12, 1961, pp. 2 and 3, Volkswagen automobile.

WALLACE R. BURKE, *Primary Examiner.*

J. PAUL GUERTIN, *Assistant Examiner.*