



US0D1126446S

(12) **United States Design Patent** (10) **Patent No.:** **US D1,126,446 S**
McCune et al. (45) **Date of Patent:** **** May 12, 2026**

(54) **FLASHLIGHT**

(71) Applicant: **Alliance Sports Group, L.P.**, Roanoke, TX (US)

(72) Inventors: **Clark McCune**, Roanoke, TX (US);
Jimmy Prieto, Grand Prairie, TX (US)

(73) Assignee: **Alliance Sports Group, L.P.**, Roanoke, TX (US)

(**) Term: **15 Years**

(21) Appl. No.: **29/933,328**

(22) Filed: **Mar. 19, 2024**

(51) **LOC (15) Cl.** **26-02**

(52) **U.S. Cl.**
USPC **D26/49**

(58) **Field of Classification Search**
USPC D26/24, 37-51; D22/117
CPC ... F21Y 2115/10; F21Y 2101/00; F21L 4/005;
F21L 4/00
See application file for complete search history.

(56) **References Cited**

U.S. PATENT DOCUMENTS

D368,147 S *	3/1996	Bamber	D26/49
D395,719 S *	6/1998	Concari	D26/37
D444,898 S *	7/2001	Israel	D26/49
D445,208 S *	7/2001	Israel	D26/49
D446,328 S *	8/2001	Israel	D26/49
D513,334 S *	12/2005	Galey	D26/37
D545,985 S *	7/2007	Garrity	D26/49
D569,538 S *	5/2008	Leung	D26/49
D590,972 S *	4/2009	Palmer	D26/49
D601,286 S *	9/2009	Chen	D26/49
D659,271 S *	5/2012	Nguyen	D26/37
D687,993 S *	8/2013	Yeh	D26/46
D690,449 S *	9/2013	Yeh	D26/46
D709,232 S *	7/2014	Inskeep	D26/49

D710,526 S *	8/2014	Lee	D26/49
D736,975 S *	8/2015	Tang	D22/117
D889,011 S *	6/2020	Hong	D26/49
D891,660 S *	7/2020	Shi	D26/37
D895,869 S *	9/2020	Qiu	D26/49
D905,308 S *	12/2020	Hong	D26/49
D972,757 S *	12/2022	Ma	D26/49
D981,612 S *	3/2023	Nawaz	D26/38
D1,051,458 S *	11/2024	Tao	D26/49
D1,066,767 S *	3/2025	Grandadam	D26/49

(Continued)

OTHER PUBLICATIONS

Nebo Luxtreme MZ60 Blueline Flashlight. By Angel Seller. Dated Aug. 19, 2023. Found online [Jul. 25, 2025]. <https://www.amazon.com/Luxtreme-Blueline-Rechargeable-Half-Mile-Flashlight/dp/B08Z2V2ZB3> (Year: 2023).*

(Continued)

Primary Examiner — William B Melliar

(74) *Attorney, Agent, or Firm* — Thorpe North & Western, LLP.; Jed H. Hansen

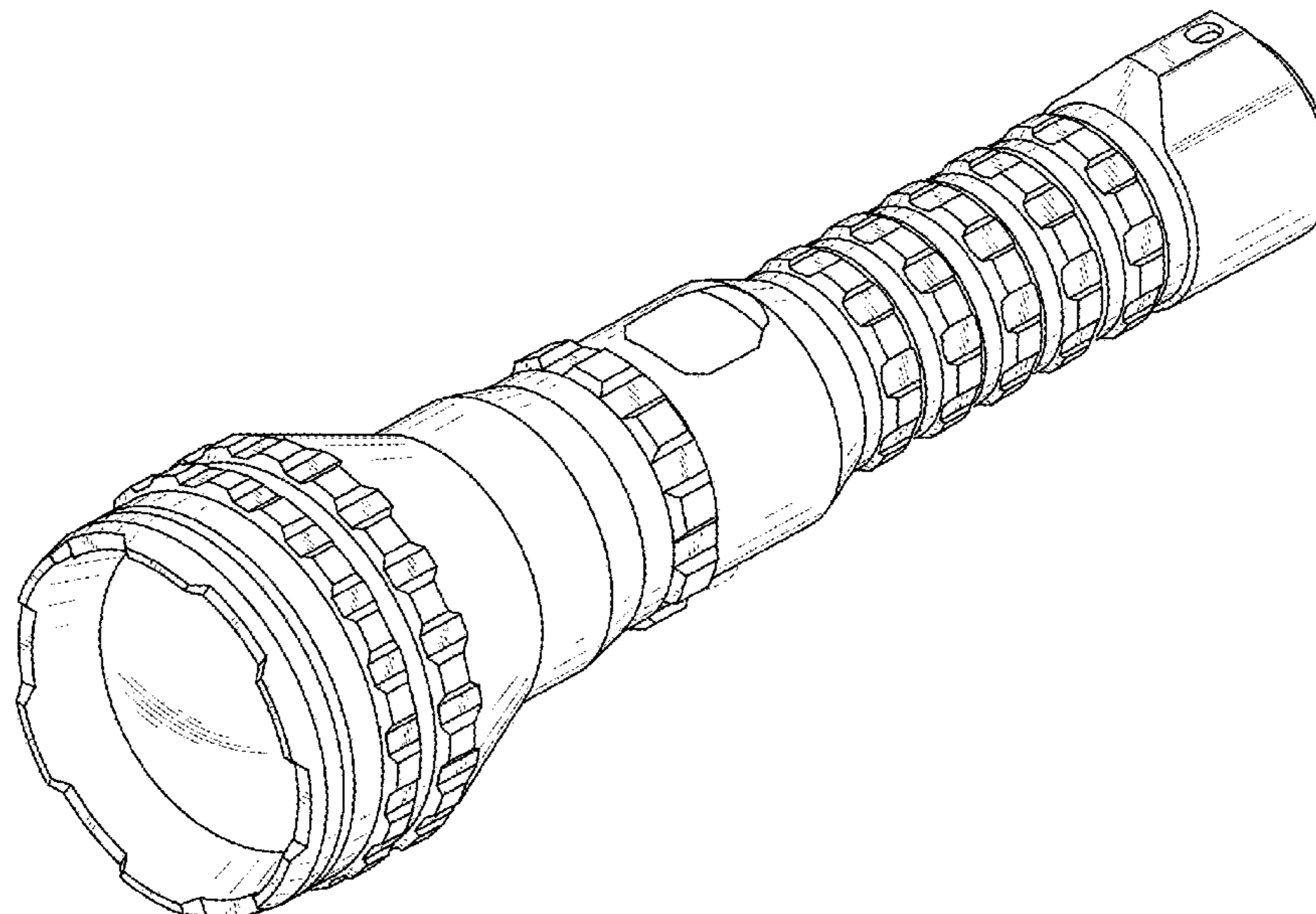
(57) **CLAIM**

The ornamental design for the flashlight as shown and described herein.

DESCRIPTION

FIG. 1 is an elevated, perspective view of the flashlight in accordance with our invention;
FIG. 2 is a side view thereof;
FIG. 3 is a side view of our invention as shown in FIG. 1;
FIG. 4 is a side view thereof;
FIG. 5 is a side view of our invention as shown in FIG. 1;
FIG. 6 is a top view thereof; and,
FIG. 7 is a bottom view thereof.
The broken lines shown in the drawings depict portions of the flashlight that form no part of the claimed design.

1 Claim, 6 Drawing Sheets



(56)

References Cited

U.S. PATENT DOCUMENTS

D1,068,125 S * 3/2025 Lin D26/49
D1,071,278 S * 4/2025 Huang D26/46

OTHER PUBLICATIONS

Nebo Davinci Flashlight. By Angel Seller. Dated Jan. 4, 2023. Found online [Jul. 25, 2025]. <https://www.amazon.com/NEBO-Powerful-Rechargeable-Waterproof-Flashlight/dp/B0BRNY8HGV> (Year: 2023).*

Nebo 12K Flashlight. By Nebo. Dated Mar. 27, 2021. Found online [Jul. 25, 2025]. <https://www.amazon.com/NEBO-Rechargeable-Flashlight-Charging-Included/dp/B0912NLWY5> (Year: 2021).*

* cited by examiner

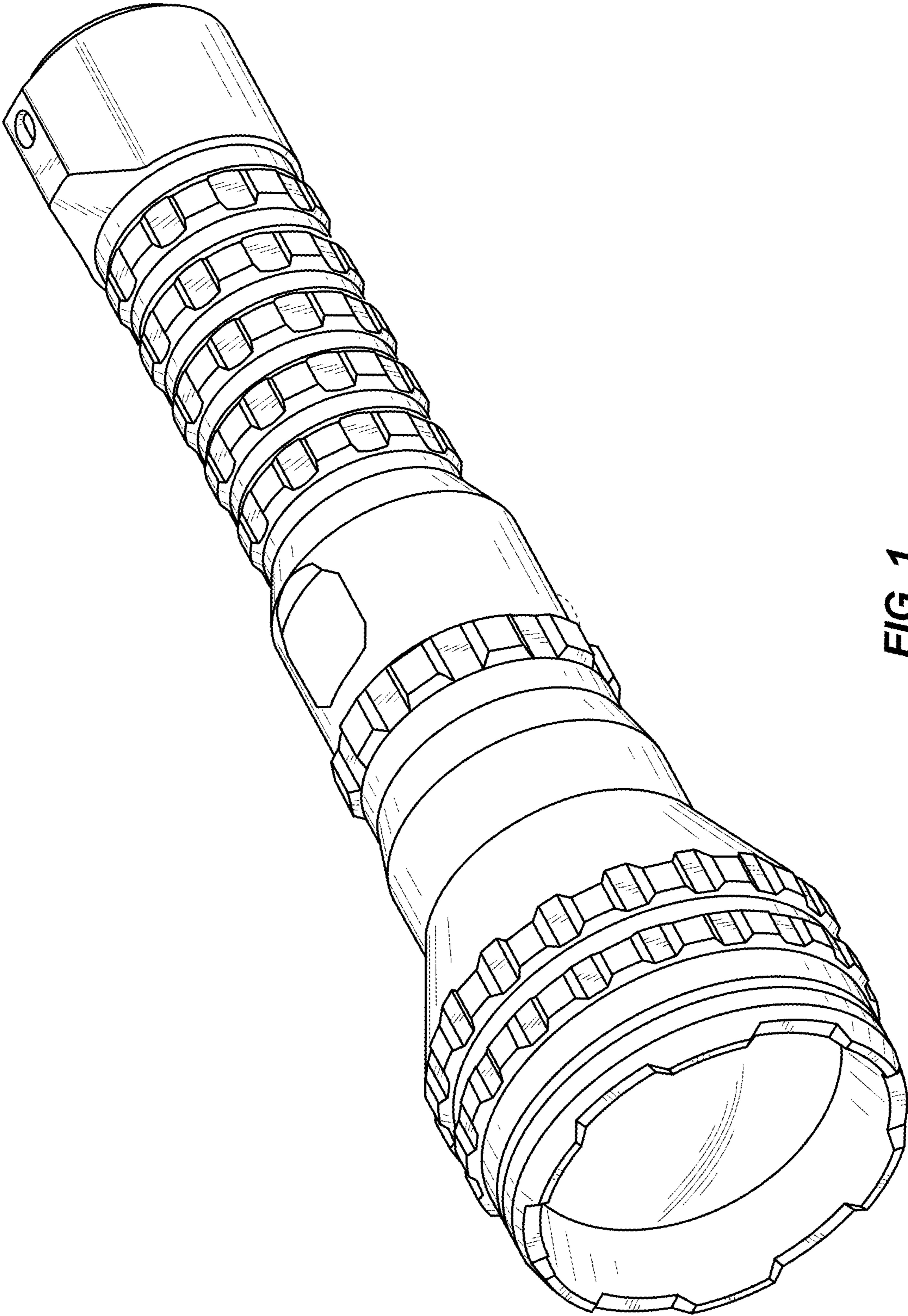


FIG. 1

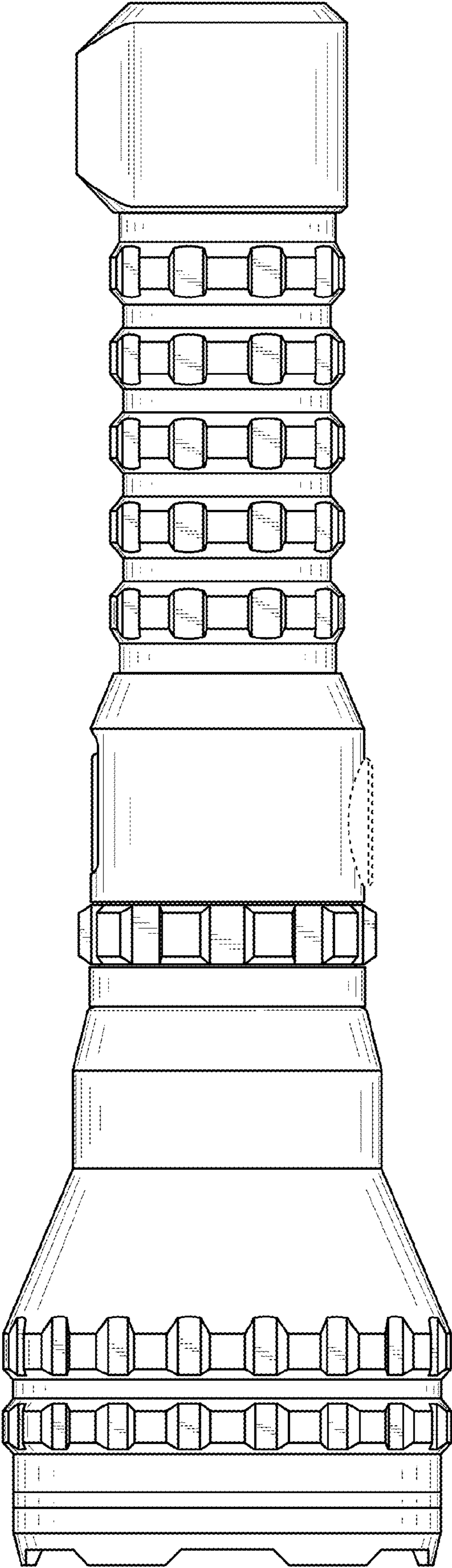


FIG. 2

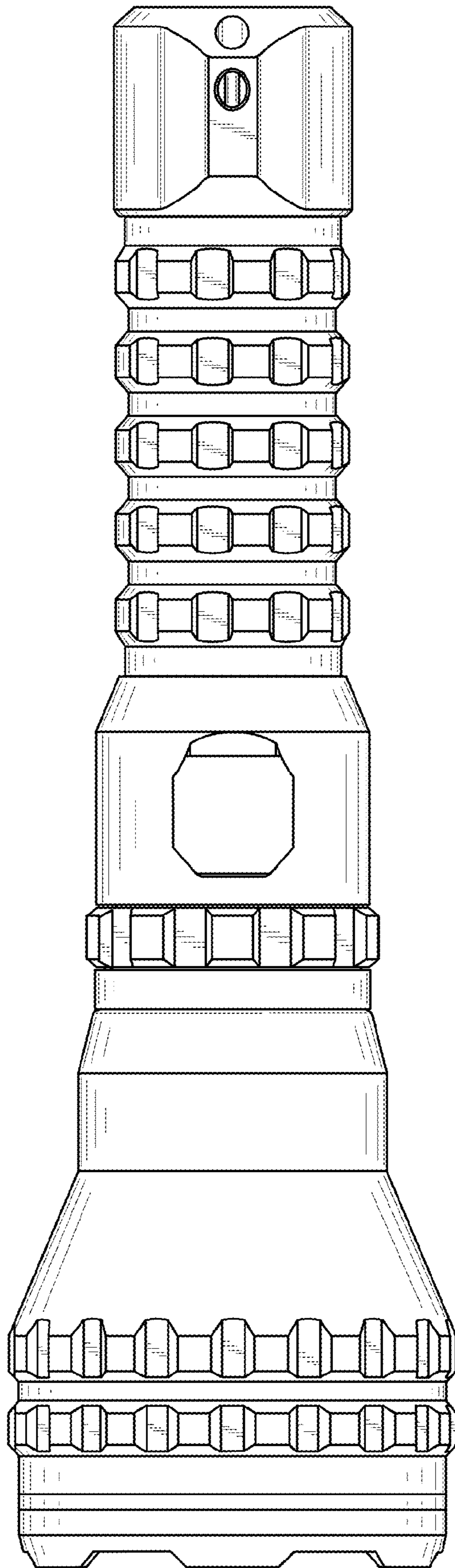


FIG. 4

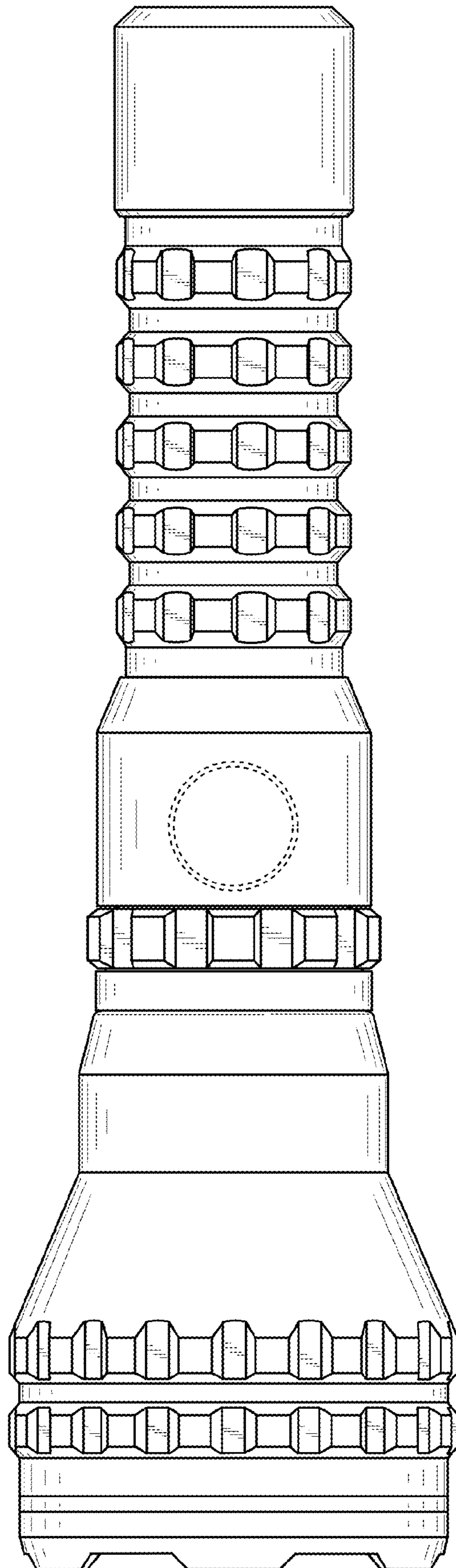


FIG. 5

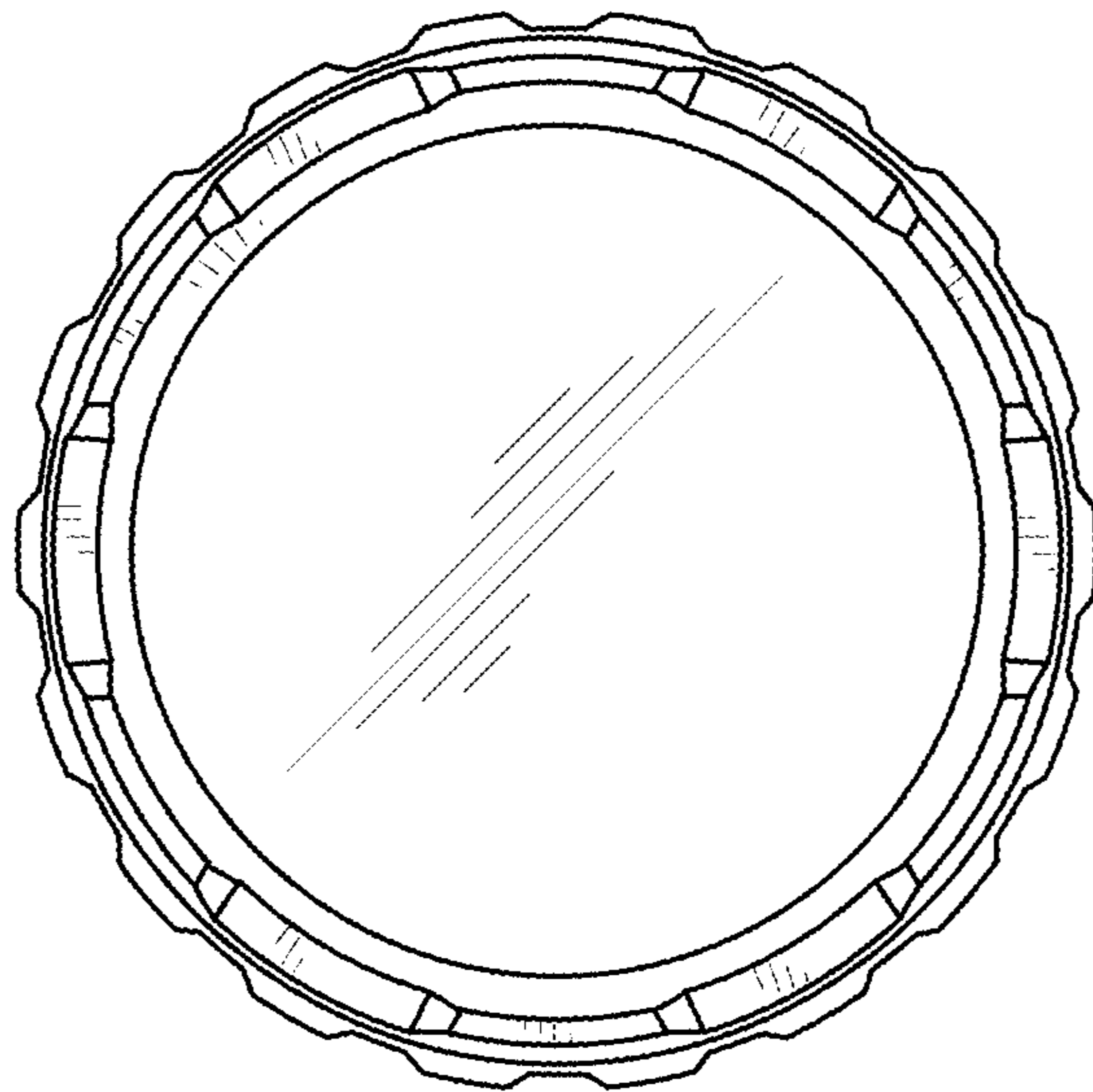


FIG. 6

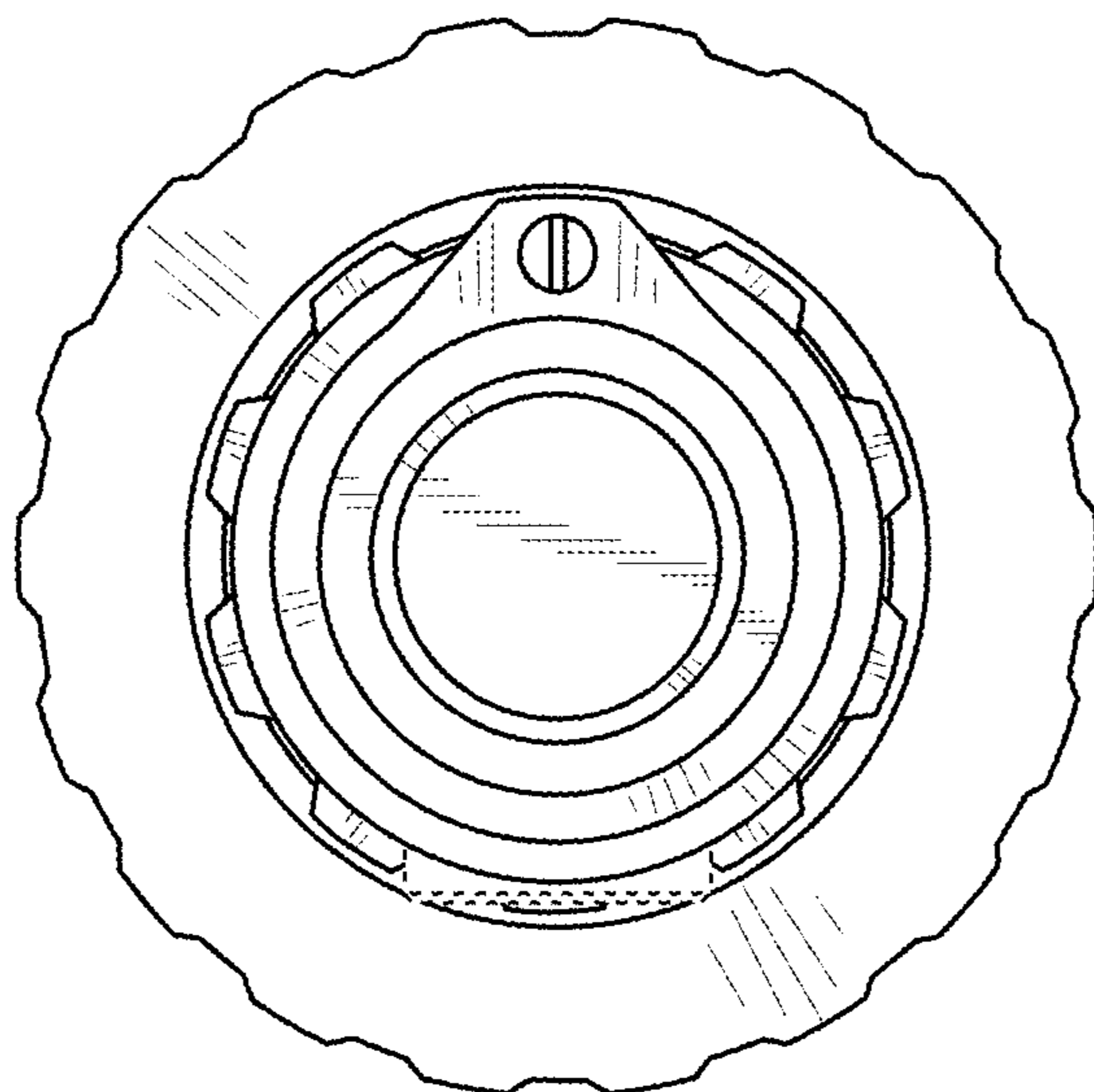


FIG. 7