



US0D1126321S

(12) **United States Design Patent** (10) **Patent No.: US D1,126,321 S**
Christensen et al. (45) **Date of Patent: ** May 12, 2026**

(54) **MODEL VEHICLE WHEEL**

FOREIGN PATENT DOCUMENTS

(71) Applicant: **TRAXXAS, L.P.**, McKinney, TX (US)

CN 304967598 12/2018
DE 402017100863-0001 7/2018

(72) Inventors: **Casey Christen Jens Christensen**,
Trenton, TX (US); **Jory Sprowl**, Howe,
TX (US); **Otto Karl Allmendinger**,
Rowlett, TX (US); **Adam Cole Ewing**,
McKinney, TX (US); **Kent Poteet**,
Lucas, TX (US)

(Continued)

OTHER PUBLICATIONS

(73) Assignee: **TRAXXAS, L.P.**, McKinney, TX (US)

“Goolsky 2 Pieces High Grip 2.2 Inch RC Rubber Tyres,” Dec. 17,
2019, amazon.de, site visited Feb. 20, 2026, URL: <https://www.amazon.de/-/en/Goolsky-Beadlock-Upgrade-Compatible-Traxxas/dp/B082V8D6SF/> (Year: 2019).*

(**) Term: **15 Years**

(Continued)

(21) Appl. No.: **29/988,071**

Primary Examiner — George J Ulsh

(22) Filed: **Jan. 29, 2025**

Assistant Examiner — Sarah L Smith

(51) **LOC (15) Cl.** **21-01**

(74) *Attorney, Agent, or Firm* — Daryl R. Wright; Greg Carr

(52) **U.S. Cl.**

USPC **D21/548**; D12/209

(58) **Field of Classification Search**

USPC D12/204, 208–212; D21/561, 563, 550

CPC A63H 17/262; B60B 21/00; B60B 5/00;

B60B 5/02; B60B 7/00; B60B 7/01;

B60B 7/02; B60B 7/04; B60B 7/06;

B60B 3/02; B60B 3/04; B60B 3/06;

B60B 3/10; B60B 1/00; B60B 1/08;

B60B 1/10; B60B 1/12

See application file for complete search history.

(57) **CLAIM**

The ornamental design for a model vehicle wheel as shown and described.

DESCRIPTION

FIG. 1 is an upper, left, front perspective view of a model vehicle wheel showing our new design;

FIG. 2 is an upper, right, rear perspective view thereof;

FIG. 3 is a lower, right, front perspective view thereof;

FIG. 4 is a lower, left, rear perspective view thereof;

FIG. 5 is a front elevation view thereof;

FIG. 6 is a rear elevation view thereof;

FIG. 7 is an upper plan view thereof;

FIG. 8 is a lower plan view thereof;

FIG. 9 is a right-side elevation view thereof; and,

FIG. 10 is a left-side elevation view of a model vehicle wheel.

In the drawings, the broken lines illustrate portions of the model vehicle wheel that form no part of the claimed design.

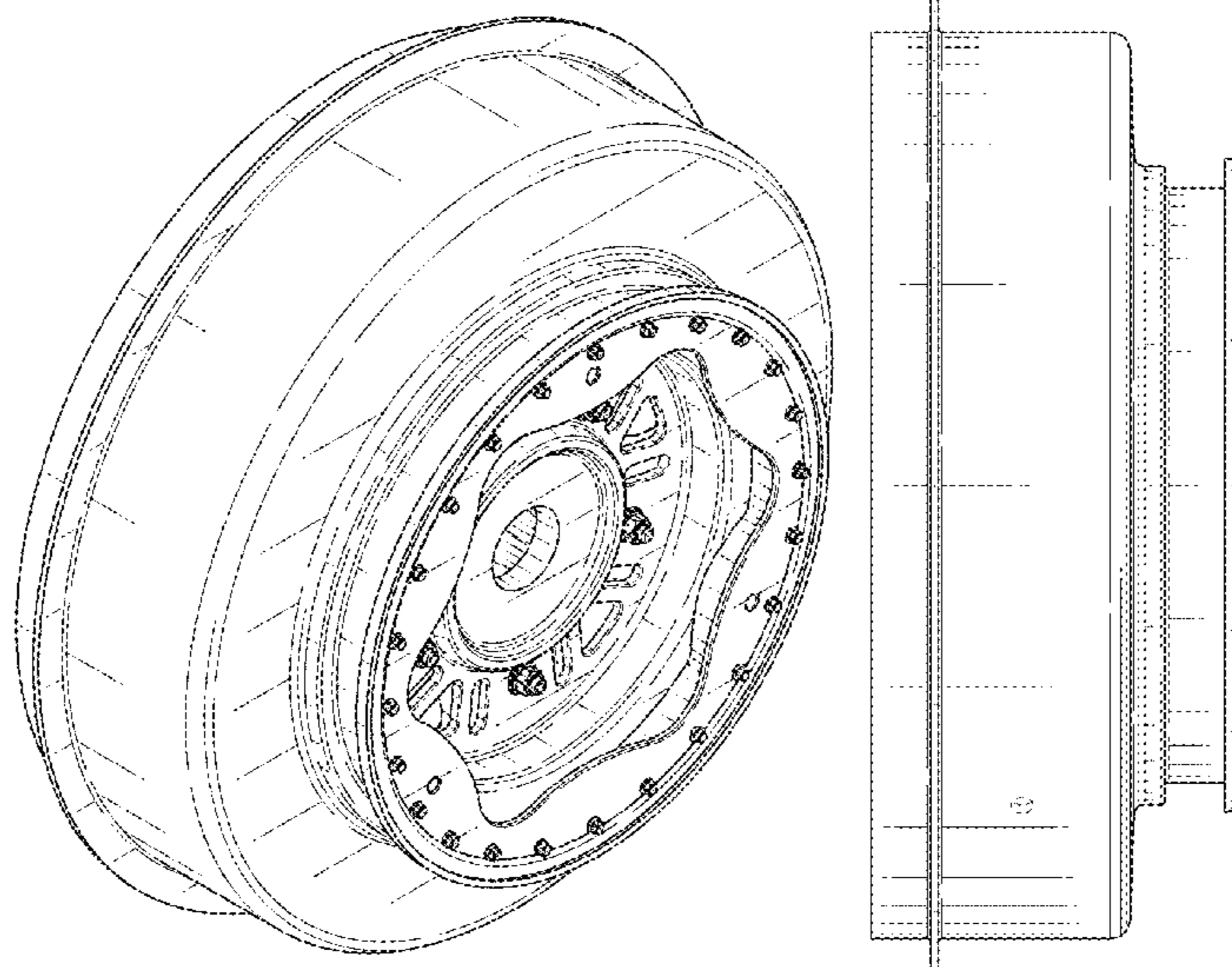
(56) **References Cited**

U.S. PATENT DOCUMENTS

1,978,026 A	10/1934	Miller
D206,873 S	2/1967	Reid
D207,951 S	6/1967	Hibbard
D213,314 S	2/1969	Reid
D213,315 S	2/1969	Reid
D221,934 S	9/1971	Main et al.
D223,534 S	5/1972	Reid
D224,101 S	7/1972	Richter
D226,376 S	2/1973	Main et al.

(Continued)

1 Claim, 7 Drawing Sheets



(56)

References Cited

U.S. PATENT DOCUMENTS

3,767,267 A 10/1973 Clement
 D231,656 S 5/1974 Ishibashi
 D237,067 S 10/1975 Sandberg
 D252,564 S 8/1979 Harty, Jr.
 4,165,131 A * 8/1979 Thompson B60B 3/06
 249/56
 D333,648 S 3/1993 Schwenk
 D361,546 S 8/1995 Weld
 D373,562 S 9/1996 Cole
 D398,948 S * 9/1998 Portzline D12/209
 D412,020 S 7/1999 McCormick
 D420,637 S 2/2000 Glade
 6,089,671 A 7/2000 Iacovelli et al.
 D433,370 S * 11/2000 Hussaini D12/209
 D435,501 S * 12/2000 Liao D12/209
 D436,910 S 1/2001 Hale, Jr.
 D444,118 S 6/2001 Chung
 D469,728 S 2/2003 Kataoka
 D470,449 S 2/2003 Bernoni
 D481,982 S 11/2003 Takechi
 D488,760 S 4/2004 Kato
 D492,234 S 6/2004 Kataoka
 D499,683 S 12/2004 Kushartanto
 D500,006 S 12/2004 Cahyono
 D504,650 S 5/2005 Ishiwata
 D506,966 S * 7/2005 Kataoka D12/209
 D530,757 S 10/2006 Jones
 D534,968 S 1/2007 Proch
 D536,293 S 2/2007 Brouillette et al.
 D543,493 S 5/2007 Kim
 D546,264 S 7/2007 Young
 D560,586 S * 1/2008 Cheng D12/209
 D569,778 S 5/2008 Kim
 D579,398 S 10/2008 Kim
 D582,827 S 12/2008 Musser
 D583,292 S 12/2008 Chung
 D587,181 S 2/2009 Musser
 D590,315 S 4/2009 Chung
 D590,322 S 4/2009 Rak
 D595,631 S 7/2009 Musser
 D603,778 S 11/2009 Chung
 D614,108 S 4/2010 Varga
 D619,072 S 7/2010 Gallert
 D620,864 S 8/2010 Groom
 D624,477 S 9/2010 McMath
 D628,137 S 11/2010 Groom
 D633,028 S 2/2011 Kim
 D639,221 S 6/2011 Johnson
 D662,021 S 6/2012 Grossenbacher
 D662,868 S 7/2012 Furst et al.
 D663,246 S * 7/2012 Hohman D12/204
 D663,668 S 7/2012 Pollmann
 D664,909 S 8/2012 Williams
 D670,227 S 11/2012 Chung
 D671,875 S 12/2012 Camacho et al.
 D680,938 S 4/2013 Hale, Jr.
 D688,188 S 8/2013 Baum
 D689,003 S * 9/2013 Jallad D12/211
 D695,193 S 12/2013 Kong
 D697,008 S 1/2014 Juergens et al.
 D697,010 S 1/2014 Lorinser
 D705,154 S 5/2014 Harriton
 D719,893 S 12/2014 Kim
 D721,999 S 2/2015 Alemany et al.
 D722,545 S 2/2015 Chung
 D722,937 S 2/2015 Johnson
 D725,567 S 3/2015 George et al.
 D726,620 S 4/2015 Lickliter
 D727,822 S 4/2015 Wheel
 D727,829 S 4/2015 Chung
 D730,799 S 6/2015 Hans et al.
 D733,025 S 6/2015 Chung
 D733,631 S 7/2015 Dionisopoulos et al.
 D739,323 S 9/2015 Kermelk et al.
 D741,240 S 10/2015 Melabiotis et al.

D753,048 S 4/2016 Chan
 D753,571 S 4/2016 Juergens et al.
 D758,944 S 6/2016 Rolfs et al.
 D811,304 S * 2/2018 Chung D12/209
 D848,926 S * 5/2019 Tran D12/209
 D943,484 S * 2/2022 Sempek D12/209
 D1,040,935 S * 9/2024 Ewing D12/209
 2003/0080609 A1 * 5/2003 Darnell B60B 25/08
 301/95.11
 2005/0280307 A1 * 12/2005 Wood B60B 7/006
 301/37.35
 2011/0062770 A1 * 3/2011 Krajewski B60B 3/06
 148/508
 2020/0247179 A1 8/2020 Christensen et al.

FOREIGN PATENT DOCUMENTS

DE 402020100756 * 10/2020
 EM 005817137-0004 11/2018
 GB 90002160070002 * 10/2004
 GB 6258137 2/2023
 JP D1642070 9/2019
 KR 3007007070000 * 7/2013
 WO WO-2008053450 A1 * 5/2008 B60C 7/12

OTHER PUBLICATIONS

“AXspeed Heavy Duty Wheel Weights,” Dec. 23, 2019, amazon.de, site visited Feb. 20, 2026, URL: <https://www.amazon.de/-/en/AXspeed-Heavy-Weights-Counterweight-Beadlock/dp/B0832SDP3B/?th=1> (Year: 2019).*

“AXspeed 1/4 Front Wheel Rims Set,” May 20, 2022, amazon.de, site visited Feb. 20, 2026, URL: <https://www.amazon.de/-/en/AXspeed-Wheels-Tractor-Climbing-Trailer/dp/B0B1V6G7VJ/> (Year: 2022).*

“Traxxas,” Mar. 25, 2025, facebook.com, site visited Feb. 20, 2026, URL: <https://www.facebook.com/photo.php?fbid=683991130631439&set=pb.100070616730659.-2207520000&type=3> (Year: 2025).*

OMF Performance Products; Beadlocked Wheels; https://www.omfperformance.com/beadlocked_wheels_uq.php; Aug. 2016.

Rick, “Great wheels!” Jan. 24, 2019 (review with photo), amazon.com, site visited Dec. 14, 2021, URL: <https://www.amazon.com/dp/B07MH4GW4G/?th=1> (Year: 2019).

“Traxxas 8472 Desert Racer Wheels,” May 16, 2018, amazon.ca, site visited Dec. 14, 2021, URL: https://www.amazon.ca/Traxxas-8472-Desert-Wheels-Bfgoodrich/dp/B07B6TS9B2/ref=sr_1_75?keywords=traxxas+wheels&qid=1639489322&sr=8-75 (Year: 2018). Slot Car Racing Wheel Store, posted xx/xx/xx [online], [retrieved Nov. 14, 2023]. Retrieved from internet, <https://www.dancingbearscaledcomponents.com/125-slot-car-racing-wheels> (Year: 2023).

Traxxas XRI Wheels (Race Black) (2), as shown in www.hobbytown.com, May 22, 2023, Part # TRA7874. (Year: 2023).

Traxxas Method 105 1.9" Beadlock Wheels (Black Chrome) (2), as shown in www.hobbytown.com, Jun. 15, 2018, Part # TRA8173. (Year: 2018).

Vanquish Products Method 105 1.9" Beadlock Crawler Wheels (Black/Silver) (2), as shown in www.hobbytown.com, Mar. 28, 2016, Part # VPS07911. (Year: 2016).

RCAWD Full Brass 1.0 Beadlock Wheel Rim & Wheel Lock Nut for Axial 1/24 SCX24 AX24 Upgrades Part, as shown in www.amazon.com, no date listed, date found Jun. 24, 2024, ASIN B0D2DFR1FM. (Year: 2024).

RT51 Black Daytona Beadlock, as shown in www.racelinewheels.com, no date listed, date found Jun. 24, 2024. (Year: 2024).

Injora 1.3 Beadlock Wheel Rims—Aluminum Wheel Rims 23g for SCX24 TRX4M Upgrade 1/24 1/18 RC Crawler Car (Black), as shown in www.amazon.com, Feb. 8, 2024, ASIN B0CQ8FS58X. (Year: 2024).

Globact Aluminum 1.9 Inch Beadlock Wheels RC Wheel Rim Set Wheel Hub for 1/10 RC Crawler TRX4 TRX6 Axial SCX10 I II III 90046 AXI103007 Redcat GEN7 GEN8 RC4WD D90 12mm Hex

(56)

References Cited

OTHER PUBLICATIONS

(4Pcs Black Grey), as shown in www.amazon.com, Jul. 4, 2022, Asin B09WHLLJ29. (Year: 2022).

Pro-Line Slot Mag Drag Spec 2.2"/3.0" Grey Rear Wheels Euro RC, posting date N/A [online], [retrieved Apr. 16, 2024]. Retrieved from internet, <https://www.eurorc.com/product/32902/pro-line-slot-mag-drag-spec-2230-grey-rear-wheels---sc-drag---2> (Year: 2024).

Indy US Mags, posting date N/A [online], [retrieved Apr. 16, 2024]. Retrieved from internet, <https://www.us-mags.com/us-mag-1pc-indy> (Year: 2024).

Traxxas Wheels 1.0In Satin Chrome, HobbyTown, Published date unavailable [online], [retrieved on Dec. 8, 2024]. Retrieved from the Internet: <https://www.hobbytown.com/traxxas-wheels-1.0in-satin-chrome-tra9869/p1522522> (Year: 2024).

* cited by examiner

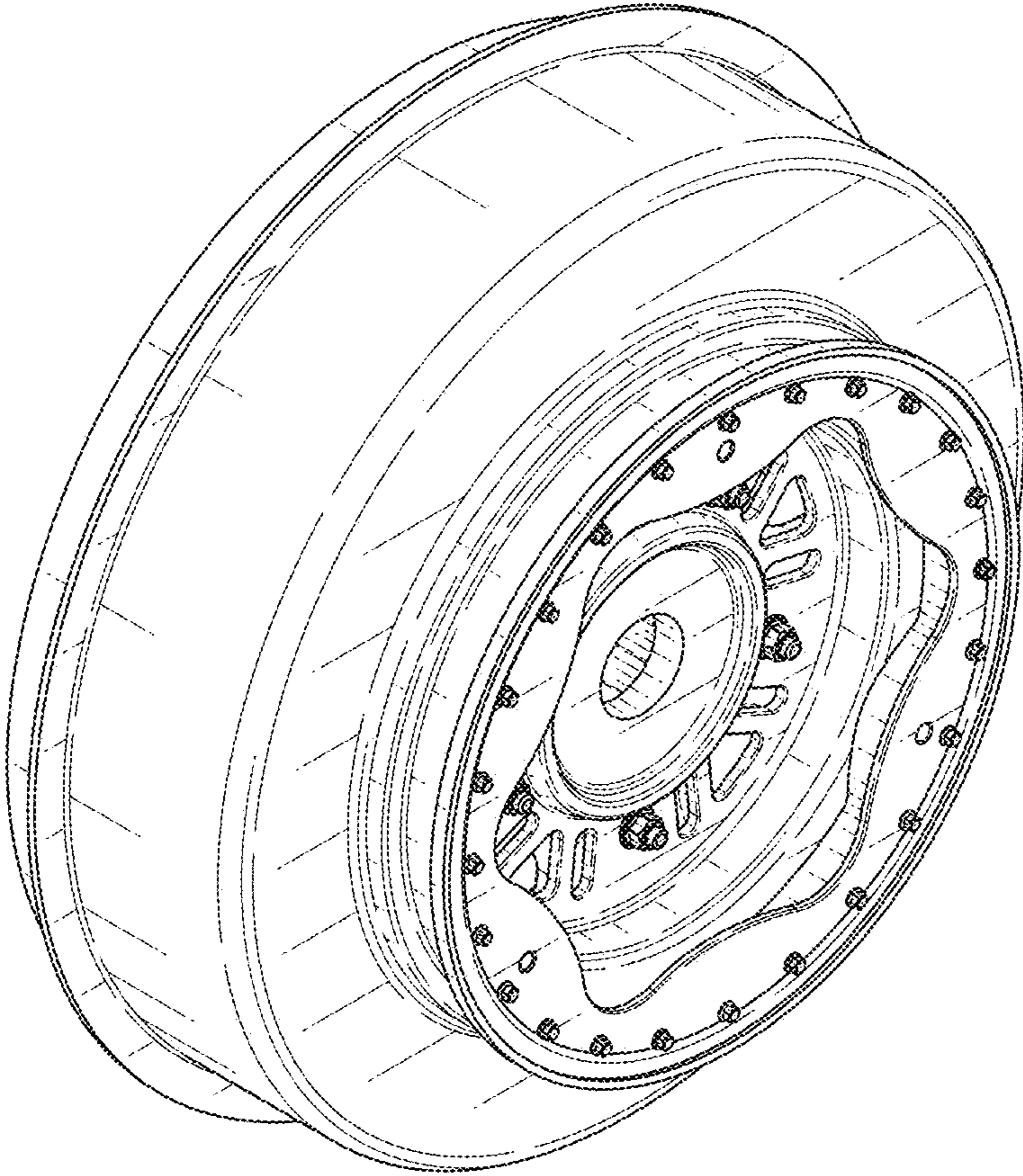


FIG. 1

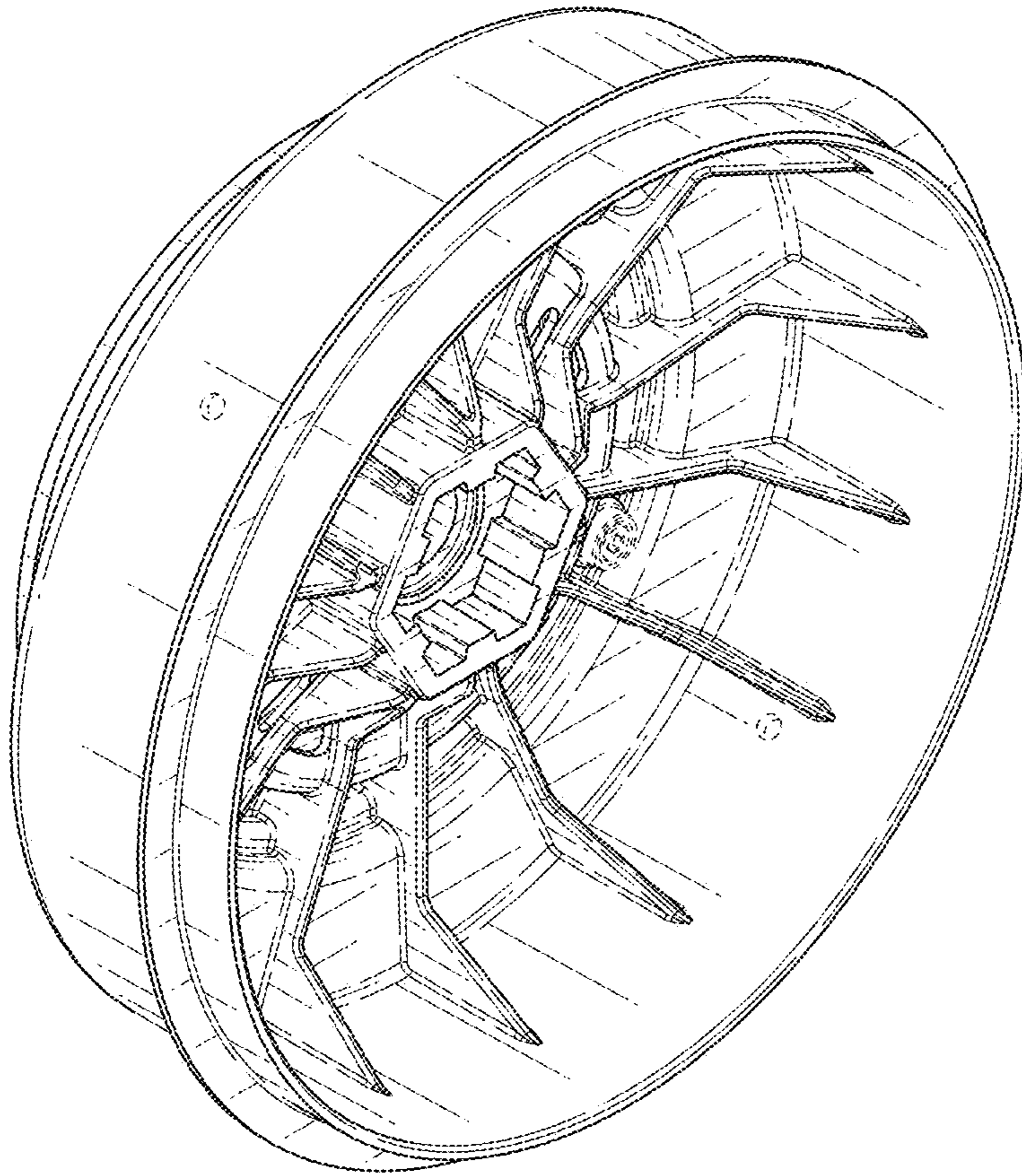


FIG. 2

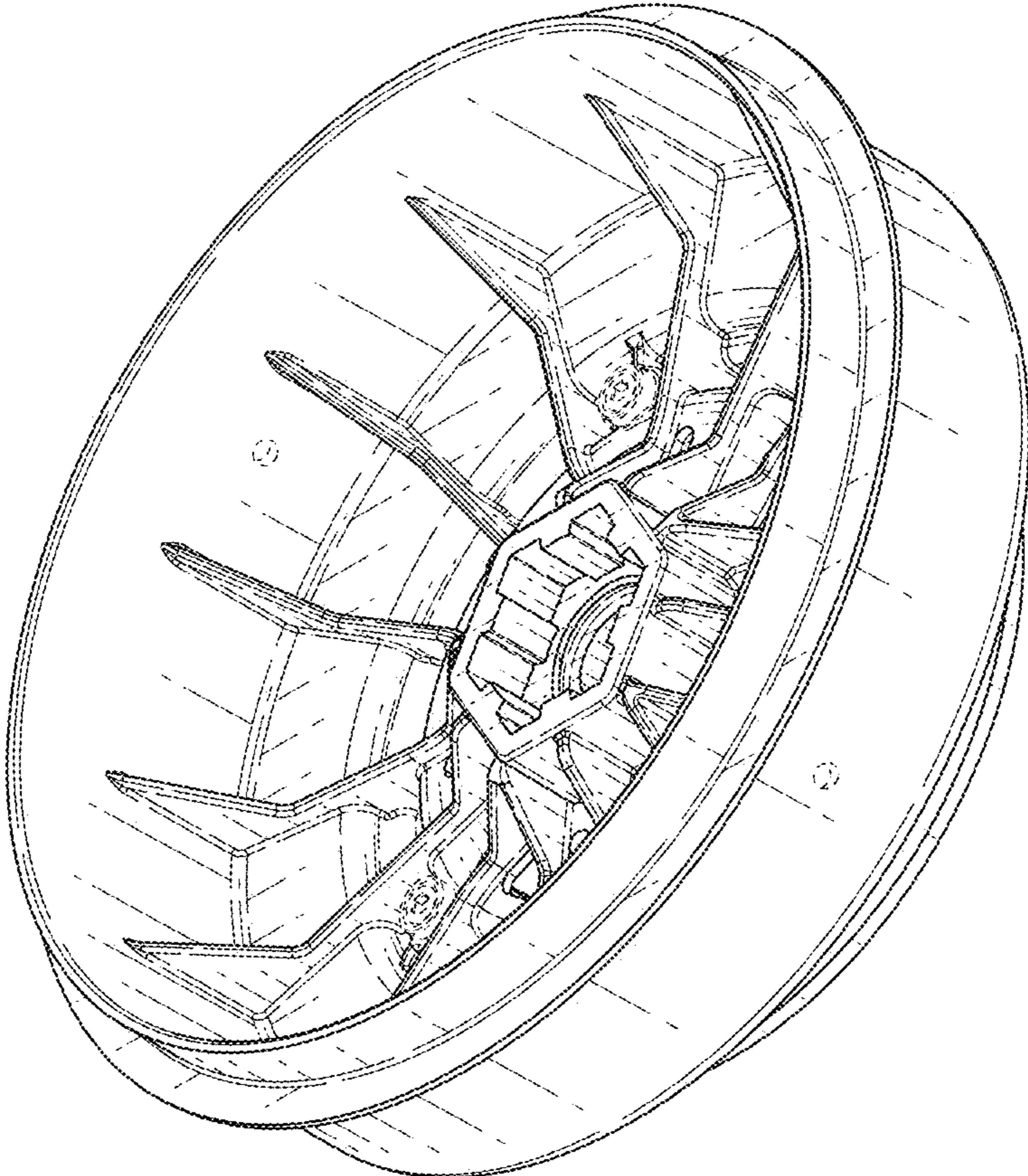


FIG. 3

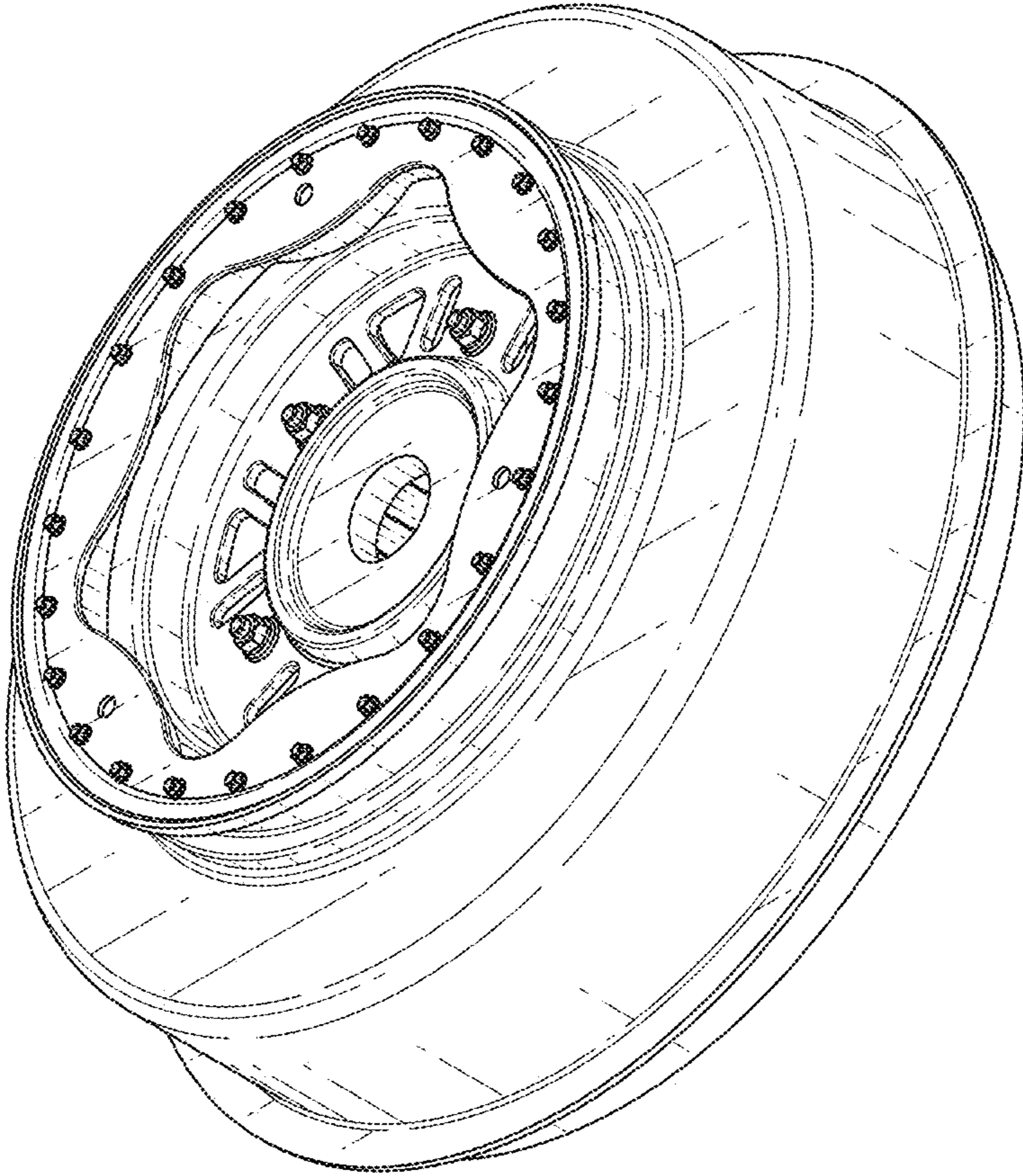


FIG. 4

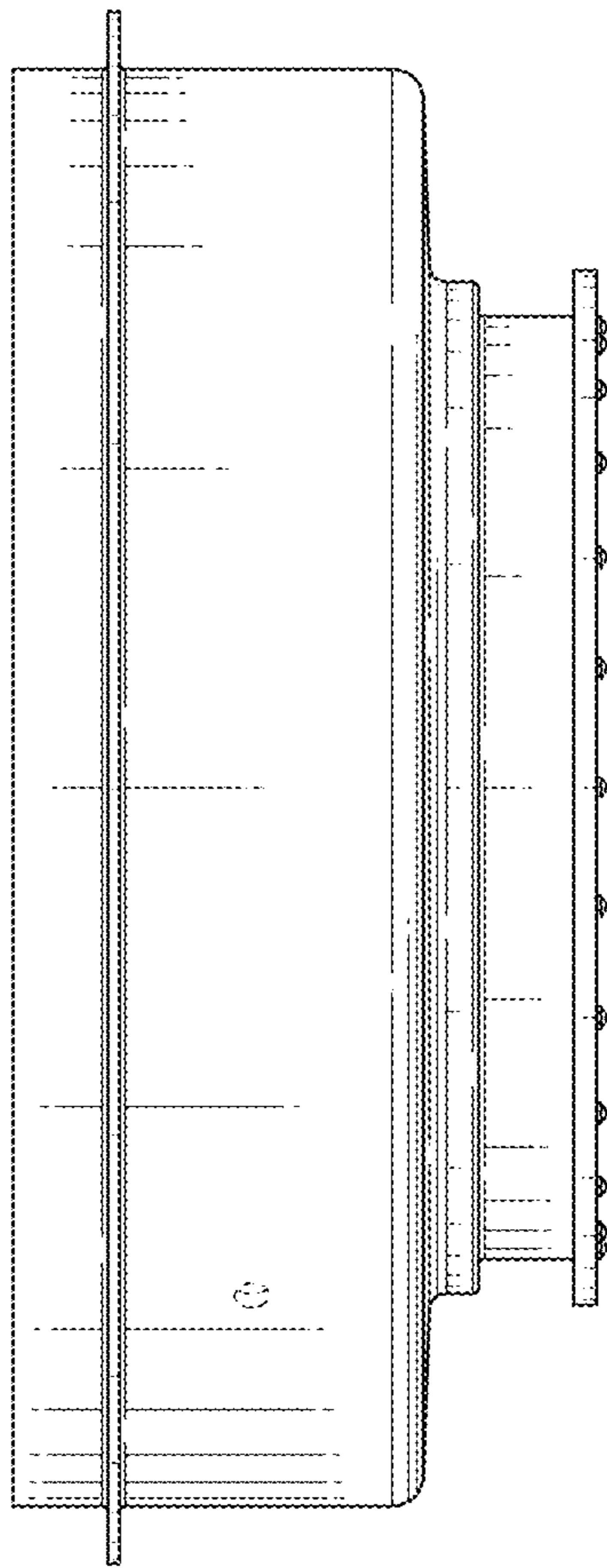


FIG. 5

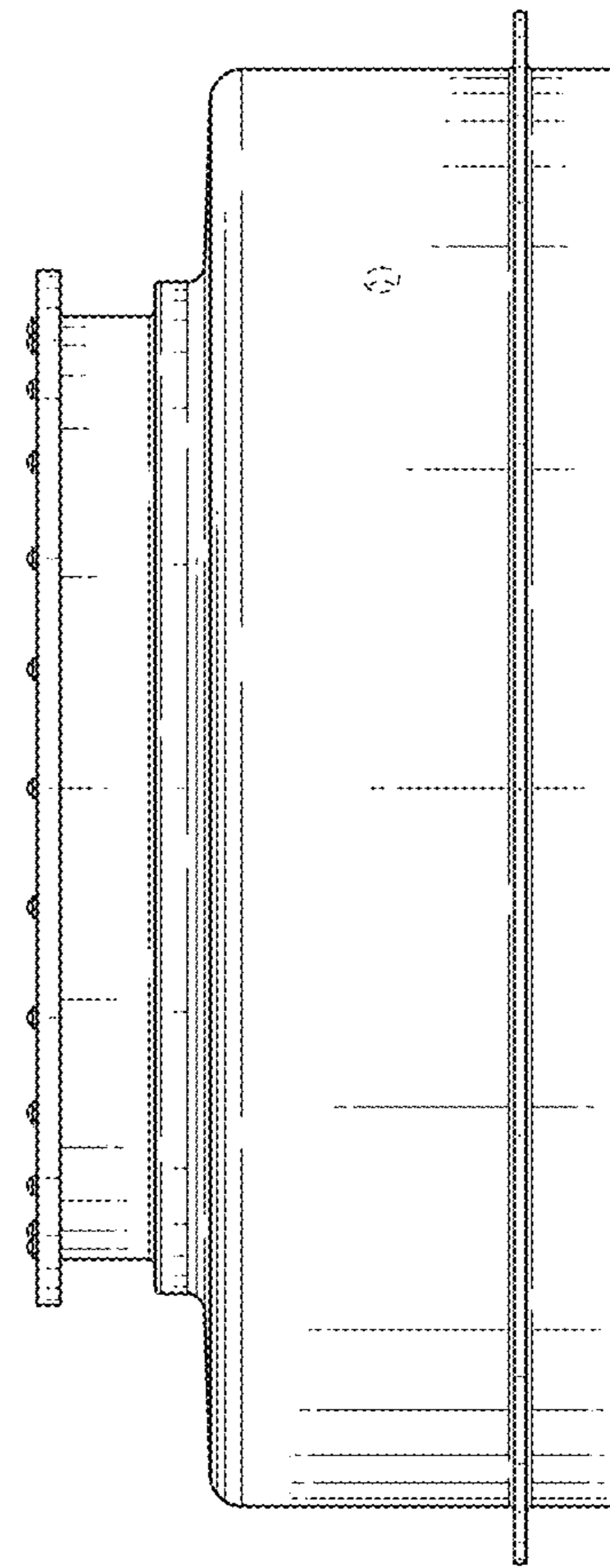


FIG. 6

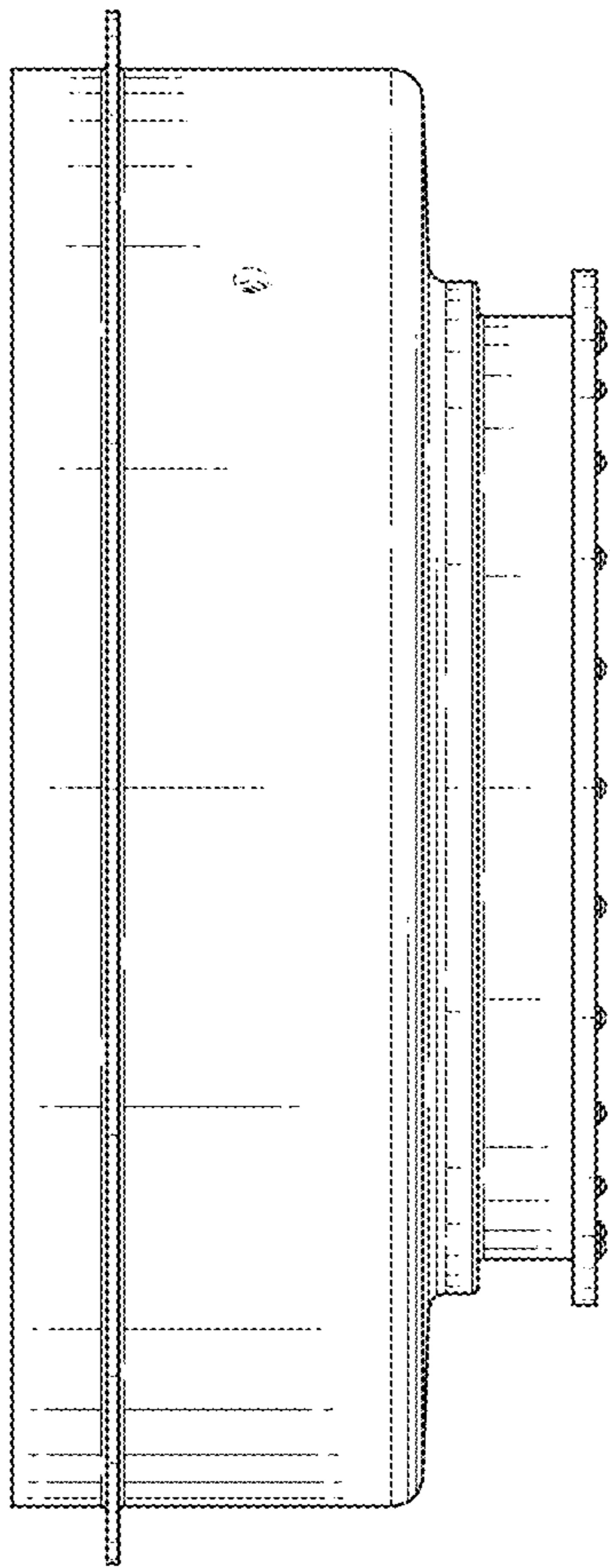


FIG. 7

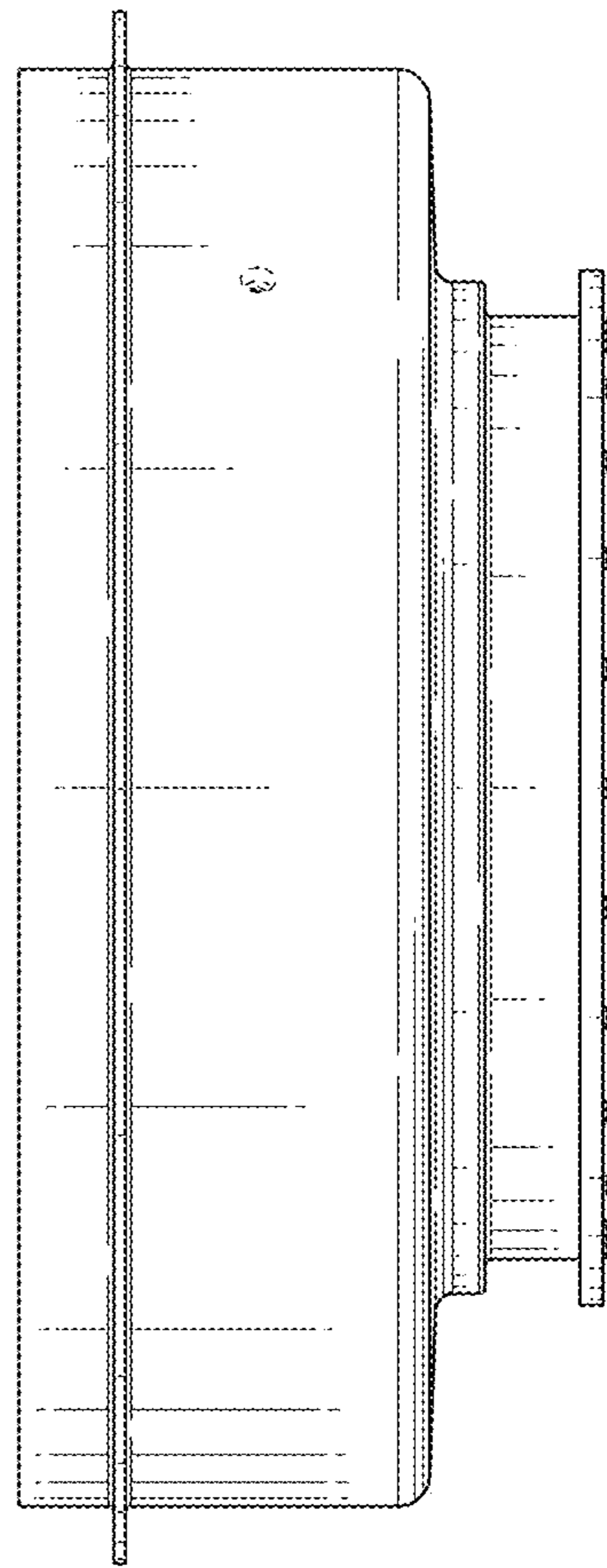


FIG. 8

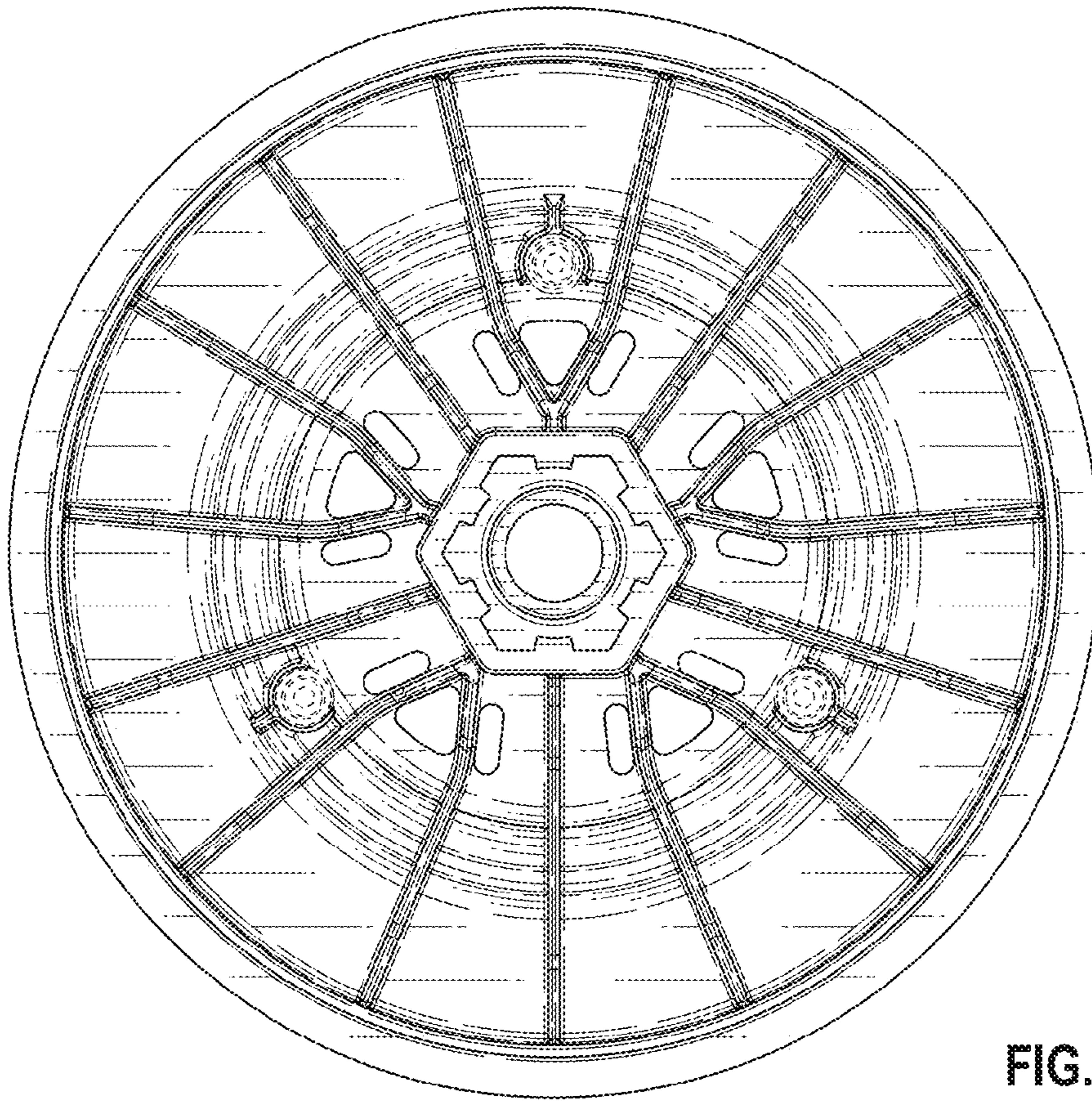


FIG. 9

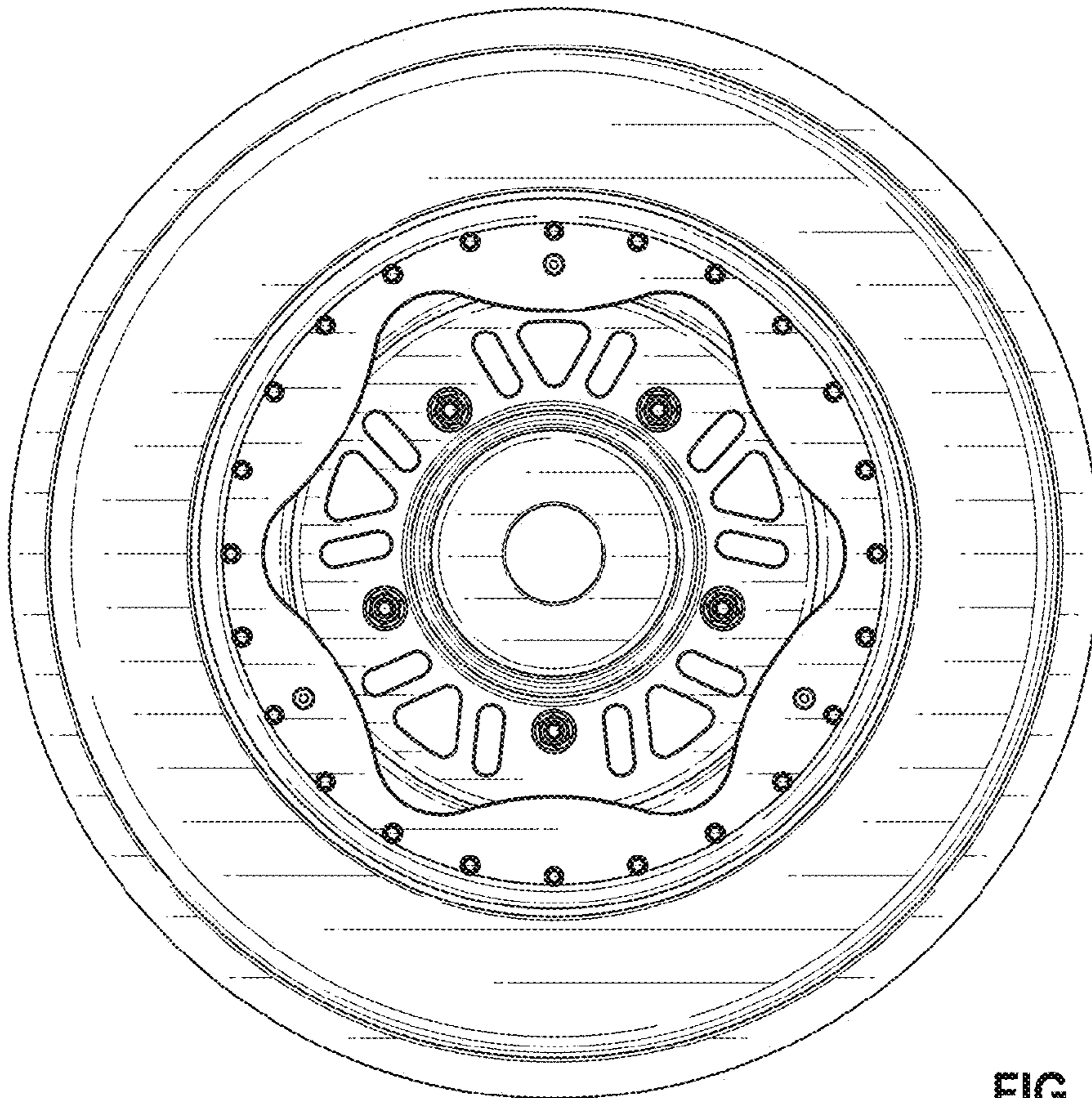


FIG. 10