



US0D1126105S

(12) **United States Design Patent** (10) **Patent No.:** **US D1,126,105 S**
Voss (45) **Date of Patent:** **** May 12, 2026**

(54) **GLASS PANEL FOR A CANOPY FOR A VEHICLE, TRUCK, OR THE LIKE**

(71) Applicant: **Rock Solid Industries International (Pty) Ltd, Pietermaritzburgh (ZA)**

(72) Inventor: **Michael Voss, Aledo, TX (US)**

(73) Assignee: **Rock Solid Industries International (Pty) Ltd, Pietermaritzburgh (ZA)**

(**) Term: **15 Years**

(21) Appl. No.: **29/921,842**

(22) Filed: **Dec. 19, 2023**

Related U.S. Application Data

(63) Continuation of application No. 29/681,255, filed on Feb. 22, 2019, now Pat. No. Des. 1,008,928.

(30) **Foreign Application Priority Data**

Jan. 2, 2019 (ZA) A2019/00013
Jan. 2, 2019 (ZA) A2019/00014
Jan. 2, 2019 (ZA) A2019/00017
Jan. 2, 2019 (ZA) A2019/00018
Feb. 21, 2019 (ZA) A2019/00264
Feb. 21, 2019 (ZA) A2019/00265

(51) **LOC (15) Cl.** **12-16**

(52) **U.S. Cl.**
USPC **D12/401**

(58) **Field of Classification Search**
USPC D12/401-405, 181; D6/610, 611, 596,
D6/601-603, 615, 617, 621; D7/332,
D7/334-337
CPC B65D 85/68; B65D 31/16; B65D 33/02;
B60R 5/04
See application file for complete search history.

(56) **References Cited**

U.S. PATENT DOCUMENTS

2,032,630 A 3/1936 Northup
2,925,303 A 2/1960 Lane
D206,530 S 12/1966 Zell
D211,017 S 5/1968 Willison
D212,744 S 11/1968 Keurst
D232,822 S 9/1974 Knoss et al.
4,063,762 A 12/1977 Williams
D271,757 S 12/1983 Miller

(Continued)

OTHER PUBLICATIONS

SmartCap EVO, www.rsismartcap.com [online], Published on or before Sep. 23, 2020, [retrieved on Sep. 23, 2020]. Retrieved from the Internet: URL:https://www.rsismartcap.com/products/smartcap-evo (Year: 2020).

(Continued)

Primary Examiner — Katrina A Betton

(74) *Attorney, Agent, or Firm* — K&L Gates LLP

(57) **CLAIM**

The ornamental design for a glass panel for a canopy for a vehicle, truck, or the like as shown and described.

DESCRIPTION

FIG. 1 is a front perspective view of a first example embodiment of a glass panel for a canopy for a vehicle, truck, or the like according to the present disclosure.

FIG. 2 is a front elevation view thereof;

FIG. 3 is a rear elevation view thereof;

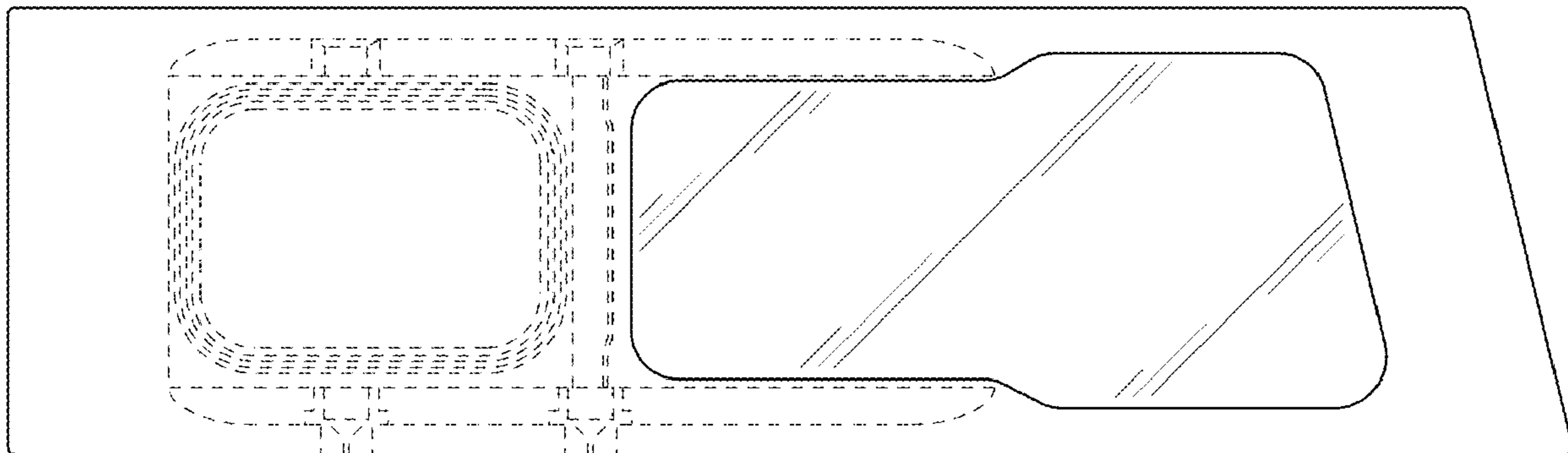
FIG. 4 is a rear perspective elevation view thereof;

FIG. 5 is a left side elevation view thereof; and,

FIG. 6 is a right side elevation view thereof.

In the drawings, any broken lines in the drawings are for illustrative purposes only and form no part of the claimed design.

1 Claim, 4 Drawing Sheets



(56)

References Cited

U.S. PATENT DOCUMENTS

D290,945 S 7/1987 Geisler
 D293,094 S 12/1987 Brown
 D298,818 S 12/1988 Silliker
 D299,223 S 1/1989 Galvin
 D310,806 S 9/1990 Hertzberg
 5,072,984 A 12/1991 Jackson
 D324,015 S 2/1992 Quiniones
 D324,196 S 2/1992 Muth
 D325,551 S 4/1992 Quiniones
 D326,441 S 5/1992 Rogers
 D328,049 S 7/1992 Sturtevant
 D328,062 S 7/1992 Burgess
 D329,837 S 9/1992 Rogers
 D330,182 S 10/1992 Jones
 D332,934 S 2/1993 Brown
 5,183,310 A 2/1993 Shaughnessy
 D335,116 S 4/1993 Reed
 5,314,225 A 5/1994 Gordon
 D379,173 S 5/1997 Quiniones
 D383,432 S 9/1997 Starr
 D387,029 S 12/1997 Heinemann
 D388,049 S 12/1997 Reardon
 D403,652 S 1/1999 Starr
 D431,225 S 9/2000 Perlman
 D438,168 S 2/2001 Schroeder
 D444,445 S 7/2001 Schroeder
 D464,606 S 10/2002 Soldatelli
 D610,067 S * 2/2010 Frankham D12/404
 D619,078 S 7/2010 Frankham
 D623,583 S 9/2010 Girardi
 9,150,087 B2 10/2015 Aho
 D812,545 S 3/2018 Donohoe
 D836,532 S 12/2018 King
 10,252,603 B2 4/2019 Rohr
 D857,609 S 8/2019 Rohr
 D864,086 S 10/2019 Breece
 D867,969 S 11/2019 Johnson
 D881,110 S 4/2020 Herndon
 D902,832 S * 11/2020 Anderson D12/401
 D924,120 S * 7/2021 Voss D12/401
 D924,779 S * 7/2021 Emerson D12/401
 D926,105 S * 7/2021 Queener D12/401
 D926,666 S * 8/2021 Martin D12/401
 D928,693 S * 8/2021 Lettl D12/401
 D928,694 S 8/2021 Steinberg
 D930,551 S * 9/2021 Suckling D12/401
 D932,417 S 10/2021 Voss
 2003/0038505 A1 2/2003 Sisson
 2003/0071483 A1 4/2003 Sutton et al.
 2005/0067830 A1 3/2005 Mijdam et al.
 2008/0067830 A1 3/2008 Frankham
 2010/0114445 A1 5/2010 Groult
 2010/0327618 A1 * 12/2010 Soldatelli B60J 7/1621
 296/100.1
 2020/0130485 A1 * 4/2020 Ireland B60J 7/062

2020/0398644 A1 * 12/2020 Voss B60H 3/0641
 2021/0114445 A1 * 4/2021 Deckard B60P 7/02
 2021/0129643 A1 5/2021 Voss

OTHER PUBLICATIONS

EVO SPORT_RSI SmartCap, www.rsismartcanopy.com[online]. Published on or before Oct. 4, 2020, [retrieved on Oct. 4, 2020]. Retrieved from the Internet: URL: <https://www.rsismartcanopy.com/evo-leisure> (Year: 2020).
 RLD Design, www.riddesignusa.com [online]. Published on or before Oct. 4, 2020, [retrieved on Oct. 4, 2020]. Retrieved from the Internet: URL: <https://www.riddesignusa.com/p/toyota/tacoma/tacoma-truck-cap-canopy/> (Year: 2020).
 SmartCanopy—YouTube [online] [retrieved Jun. 26, 2019]. Retrieved from the Internet: <<https://www.youtube.com/user/RockSolidIndustriesI/videos>>, (undated) 3 pages.
 RSI SMARTCANOPY®—Leisure Canopy—YouTube [online] [retrieved Jun. 26, 2019]. Retrieved from the Internet: <https://www.youtube.com/watch?v=Rrt_o41CQI>. (dated Mar. 7, 2017) 1 page.
 Leisure RSI SmartCanopy (Short Clip)—YouTube [online] [retrieved Jun. 26, 2019]. Retrieved from the Internet: <<https://www.youtube.com/watch?v=b2jhlw032E>>. (dated Jun. 14, 2017) 1 page.
 Rock Solid Industries (RSI) company profile—SA 4x4 [online] [retrieved Jun. 26, 2019]. Retrieved from the Internet: <<https://www.sa4x4.co.za/rock-solid-industries/>> (dated 2019) 11 pages.
 RSI SMARTCANOPY® RSI SMARTKITCHEN® Information Guide [online] [retrieved Jun. 26, 2019]. Retrieved from the Internet: <[https://smartcanopy.co.za/PDF/RSI-SMARTKITCHEN-Information-Guide-\(WEB\).pdf](https://smartcanopy.co.za/PDF/RSI-SMARTKITCHEN-Information-Guide-(WEB).pdf)> (undated) 1 page.
 RSI SmartKitchen Unit : Quick Demo I FaceBook Live Video—YouTube [online] [retrieved Jun. 26, 2019]. Retrieved from the Internet: <<https://www.youtube.com/watch?v=nROyOHSoo4M>>. (dated Feb. 24, 2017) 1 page.
 RSI SMARTKITCHEN®—Accessory Quick Overview—YouTube [online] [retrieved Jun. 26, 2019]. Retrieved from the Internet: <<https://www.youtube.com/watch?v=qVAIx32RjQI>>. (dated May 11, 2018) 1 page.
 RSI SMARTKITCHEN®—Accessory—Table Unit—YouTube [online] [retrieved Jun. 26, 2019]. Retrieved from the Internet: <<https://www.youtube.com/watch?v=1UYP9fJNEnk>>, (dated May 11, 2018) 1 page.
 RSI SMARTCANOPY® Stainless Steel Canopies & Accessories, 2018 Edition [online] [retrieved Jun. 26, 2019]. Retrieved from the Internet: <[https://smartcanopy.co.za/PDF/RSI-SMARTCANOPY-Brochure-April-2018-\(WEB\).pdf](https://smartcanopy.co.za/PDF/RSI-SMARTCANOPY-Brochure-April-2018-(WEB).pdf)>. (Apr. 2018) 8 pages.
 RSI SMARTCANOPY® Less Standard, More Smart [online] [retrieved Jun. 26, 2019]. Retrieved from the Internet: <[https://smartcanopy.co.za/PDF/RSI-SMARTCANOPY-Sales-Brochure-2017-\(WEB\).pdf](https://smartcanopy.co.za/PDF/RSI-SMARTCANOPY-Sales-Brochure-2017-(WEB).pdf)>. (2017) 4 pages.
 RSI SMARTKITCHEN®—Accessory—Side Door Sliding Windows—YouTube [online] [retrieved Jun. 26, 2019]. Retrieved from the Internet; <<https://www.youtube.com/watch?v=04k9gPgZzEA>>, (dated May 11, 2018) 1 page.

* cited by examiner

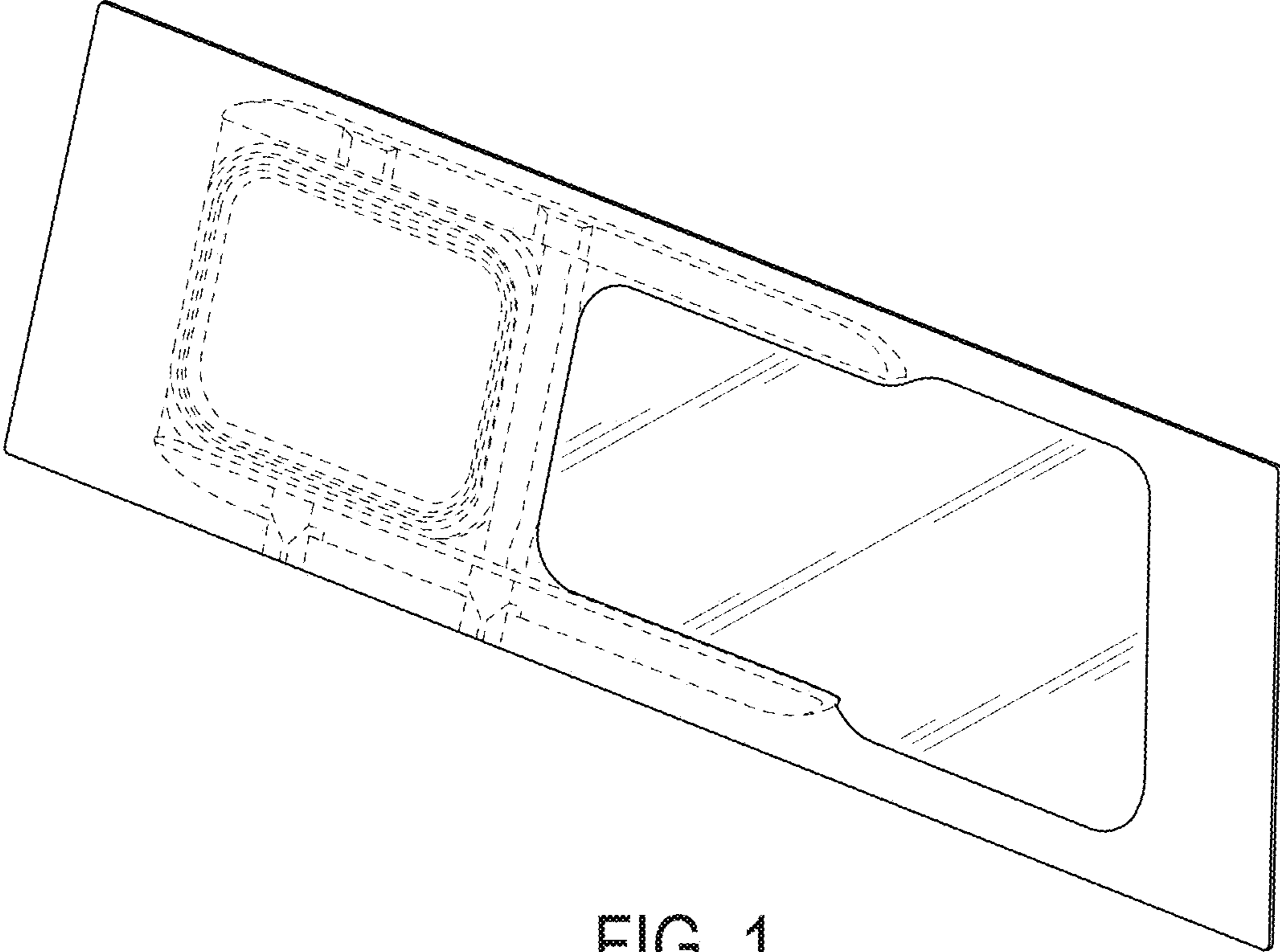


FIG. 1

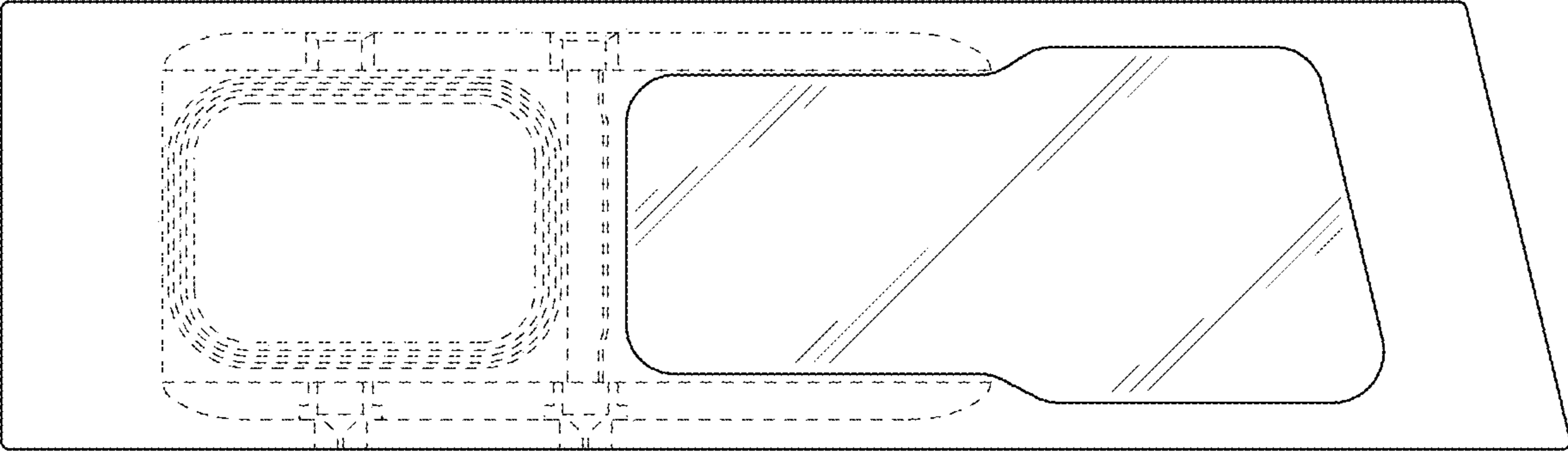


FIG. 2

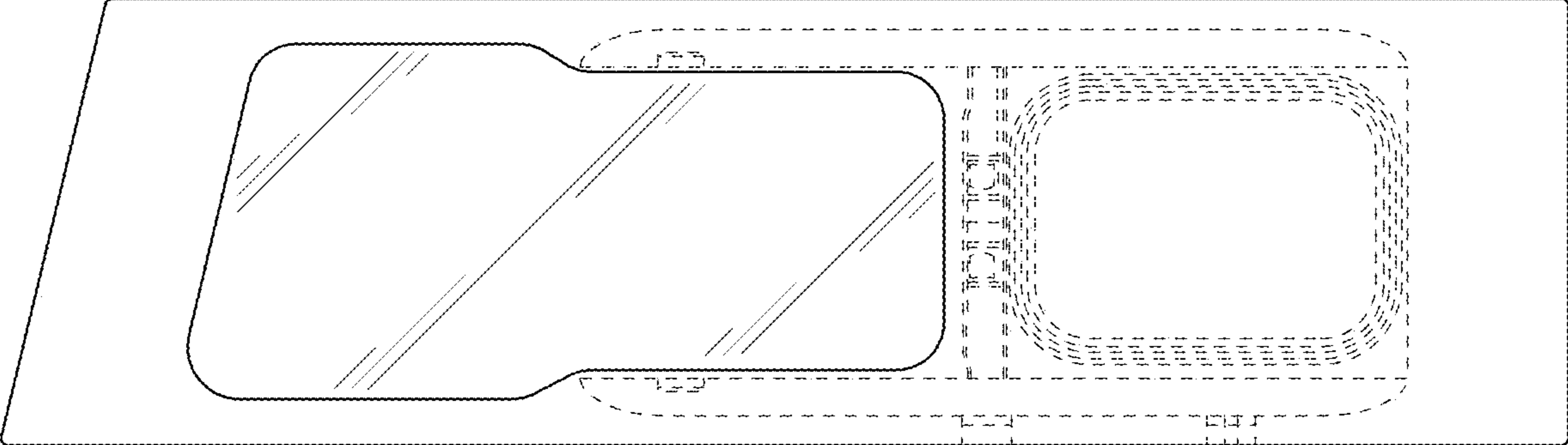


FIG. 3

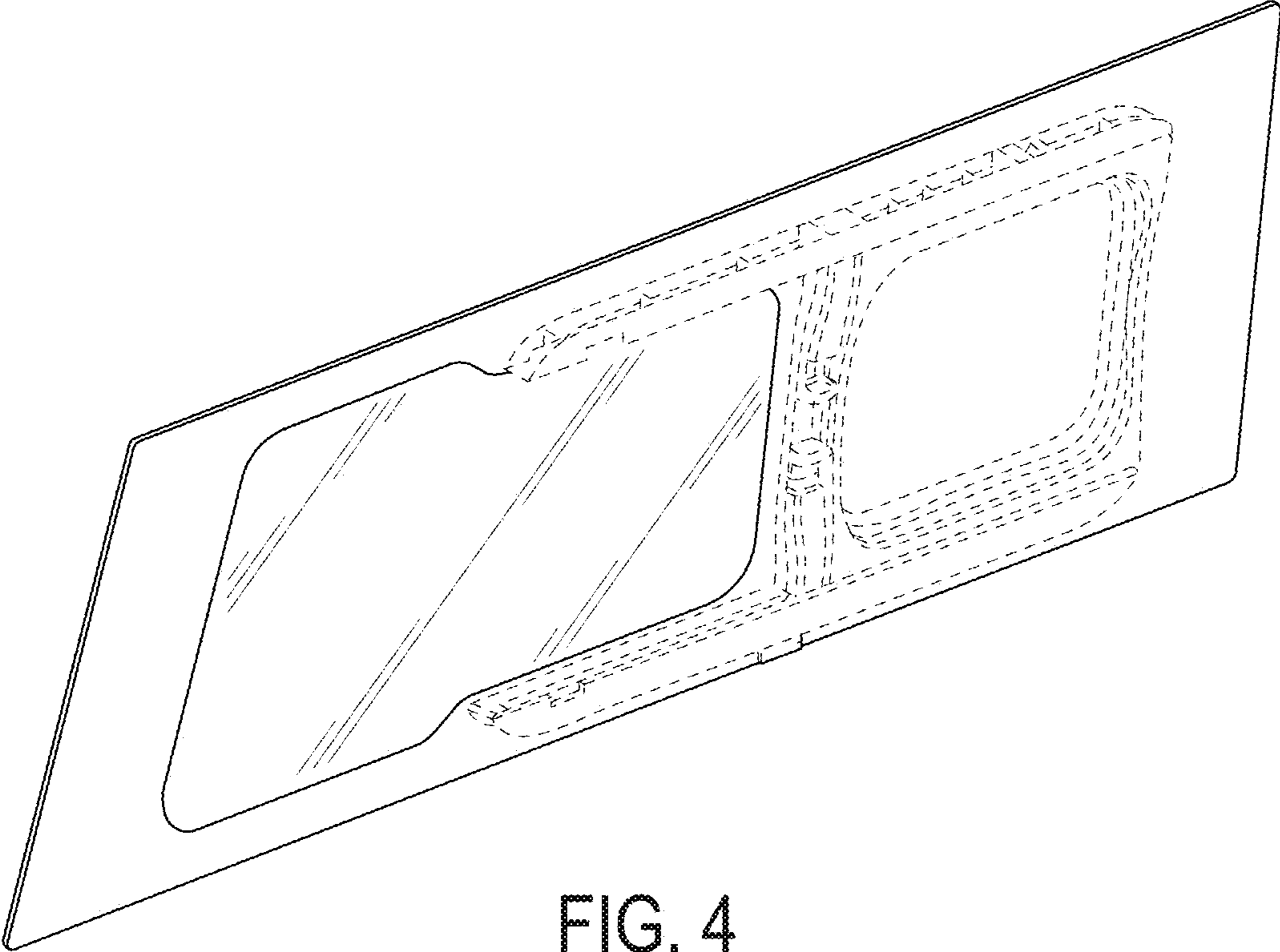


FIG. 4

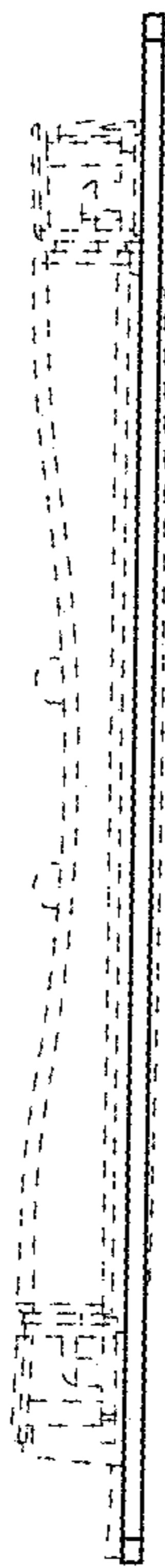


FIG. 5



FIG. 6