



US0D1126049S

(12) **United States Design Patent**
Ewing et al.

(10) **Patent No.:** **US D1,126,049 S**
(45) **Date of Patent:** **** May 12, 2026**

- (54) **MODEL VEHICLE PLATFORM ASSEMBLY**
- (71) Applicant: **TRAXXAS, L.P.**, McKinney, TX (US)
- (72) Inventors: **Adam Cole Ewing**, McKinney, TX (US); **Randy Perez**, McKinney, TX (US); **Otto Karl Allmendinger**, Rowlett, TX (US); **Kent Poteet**, Lucas, TX (US); **Jory Sprowl**, Howe, TX (US)
- (73) Assignee: **TRAXXAS, L.P.**, McKinney, TX (US)

- D902,088 S 11/2020 Nakamura et al.
- D935,532 S * 11/2021 Ewing D21/562
- D956,886 S 7/2022 Xing et al.
- D964,482 S * 9/2022 Ewing D21/562
- D966,952 S 10/2022 Baez et al.
- D975,203 S * 1/2023 Xu D21/550

(Continued)

FOREIGN PATENT DOCUMENTS

- EM 015009705-0003 2/2023
- EM 015009705-0009 2/2023

OTHER PUBLICATIONS

Axial SCX10 Deadbolt 1/10th Scale Electric 4WD—RTR; <http://www.axialracing.com/products/ax90044>; Aug. 2016.

(Continued)

Primary Examiner — Joseph Kukella

(74) *Attorney, Agent, or Firm* — Daryl R. Wright; Greg Carr

- (**) Term: **15 Years**
- (21) Appl. No.: **29/961,077**
- (22) Filed: **Sep. 4, 2024**
- (51) **LOC (15) Cl.** **21-01**
- (52) **U.S. Cl.**
USPC **D21/550**
- (58) **Field of Classification Search**
USPC D12/82, 86, 89, 91, 93; D21/483, 533, D21/548, 549, 550, 551, 561, 562
CPC A63H 17/00; B62D 21/00; B62D 21/10; B62D 25/06; B62D 31/00; B62D 31/003
See application file for complete search history.

(57) **CLAIM**

The ornamental design for a model vehicle platform assembly as shown and described.

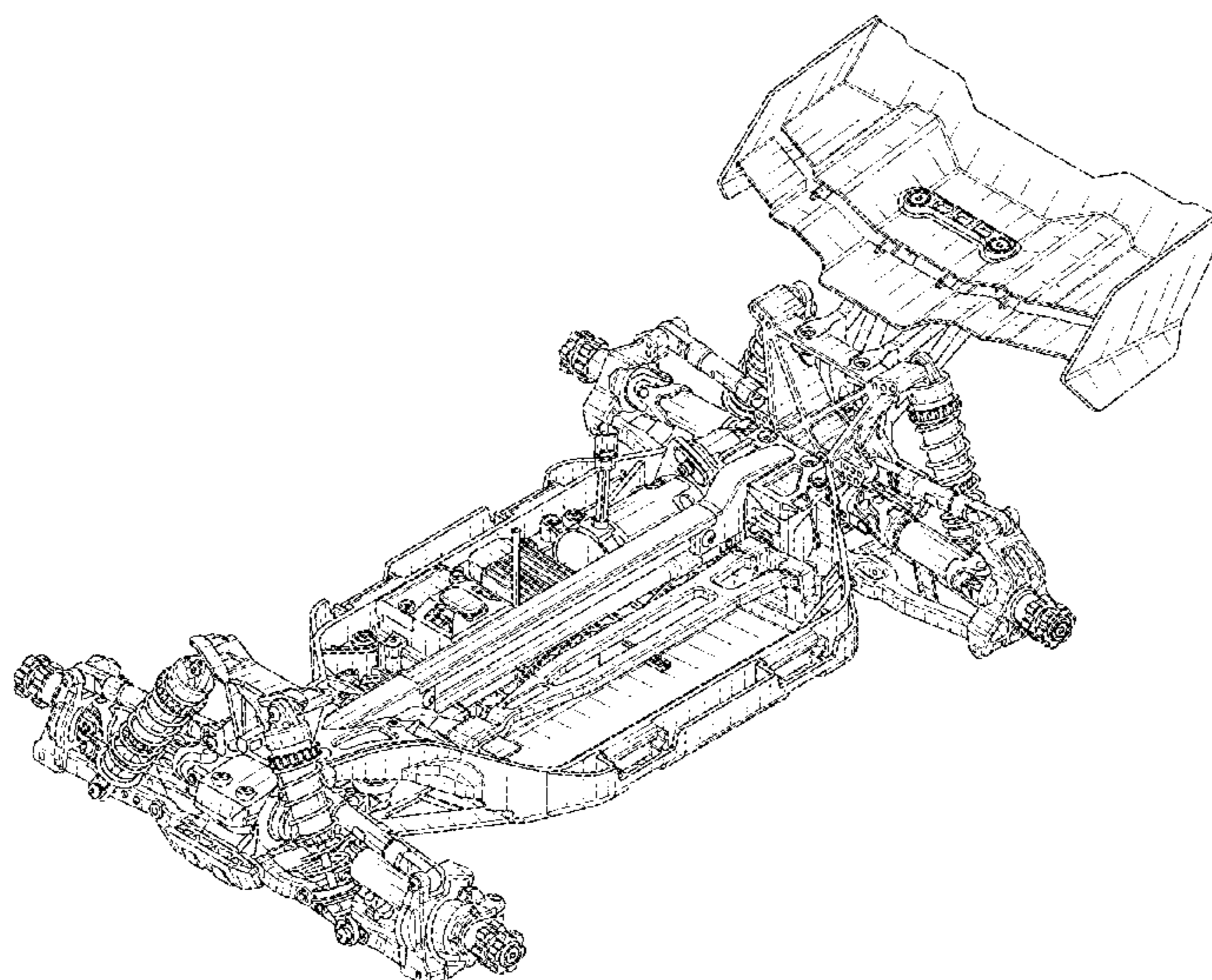
DESCRIPTION

FIG. 1 is an upper, left, front perspective view of a model vehicle platform assembly showing our new design; FIG. 2 is an upper, right, rear perspective view thereof; FIG. 3 is a lower, right, front perspective view thereof; FIG. 4 is a lower, left, rear perspective view thereof; FIG. 5 is a front elevation view thereof; FIG. 6 is a rear elevation view thereof; FIG. 7 is an upper plan view thereof; FIG. 8 is a lower plan view thereof; FIG. 9 is a right-side elevation view thereof; and, FIG. 10 is a left-side elevation view of a model vehicle platform assembly.

1 Claim, 9 Drawing Sheets

(56) **References Cited**
U.S. PATENT DOCUMENTS

- D317,336 S 6/1991 Tsuchiya
- D365,572 S 12/1995 Cerny et al.
- D403,023 S 12/1998 Araki
- D521,572 S 5/2006 Yuen
- D524,880 S 7/2006 Yuen
- D539,360 S 3/2007 Heralda
- D577,083 S 9/2008 Nakayama
- D593,616 S 6/2009 Asai
- D597,151 S 7/2009 Ishikawa
- D822,126 S 7/2018 Allmendinger et al.
- D829,831 S 10/2018 Redlin et al.
- D844,070 S 3/2019 Christensen et al.
- D851,183 S 6/2019 Wood et al.



(56)

References Cited

U.S. PATENT DOCUMENTS

D998,721	S	9/2023	Ewing et al.	
D1,004,714	S	11/2023	Ewing et al.	
D1,014,654	S *	2/2024	Allmendinger	D21/561
D1,020,915	S *	4/2024	Christensen	D21/562
D1,037,371	S *	7/2024	Ewing	D21/562
D1,038,274	S *	8/2024	Ewing	D21/561
D1,040,937	S *	9/2024	Ewing	D21/562
D1,051,246	S *	11/2024	Ewing	D21/562
2023/0219010	A1 *	7/2023	Christensen	A63H 17/264 446/471

OTHER PUBLICATIONS

HPI Racing; HPI Venture FJ Cruiser; <http://www.hpiracing.com/en/article/view/2016012702>; Aug. 2016.

TAMIYA 58647 1:10 Rc M-07 Con. WB225/239 Remote Control Car Vehicle Model, Sep. 15, 2017, Amazon.co.uk, Sep. 22, 2021, URL: <https://www.amazon.co.uk/Tamiya-M-07-Concept-Chassis-58647/dp/B06ZY297CC> (Year: 2017).

TAMIYA 57986 1:10 Rc TT-02 Chassis First Try On-Road Vehicle, Aug. 19, 2016, Amazon.co.uk, Sep. 22, 2021, URL: 4 <https://www.amazon.co.uk/Tamiya-57986-10-RC-Chassis-First/dp/B01JLF7GB0> (Year: 2016).

* cited by examiner

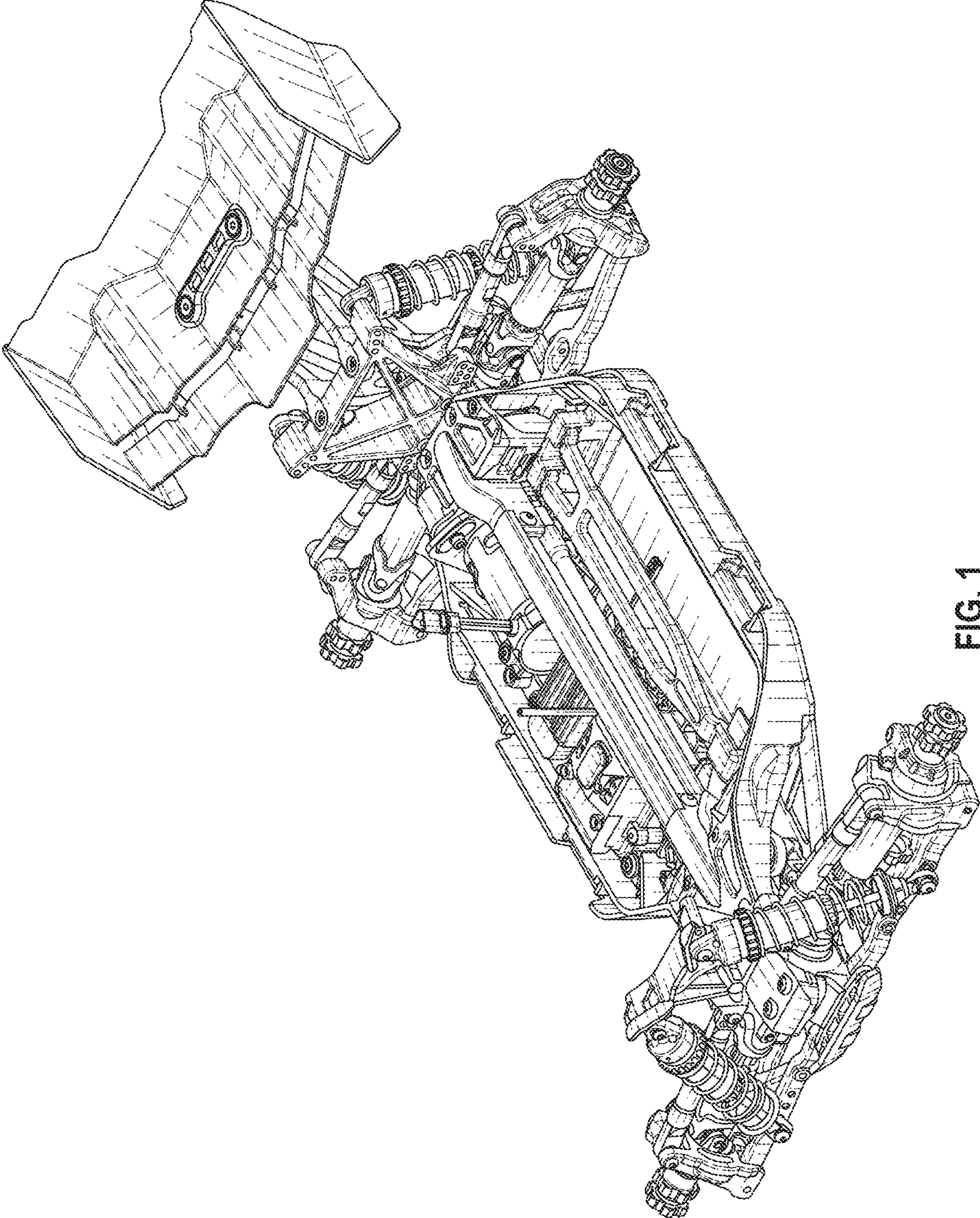


FIG. 1

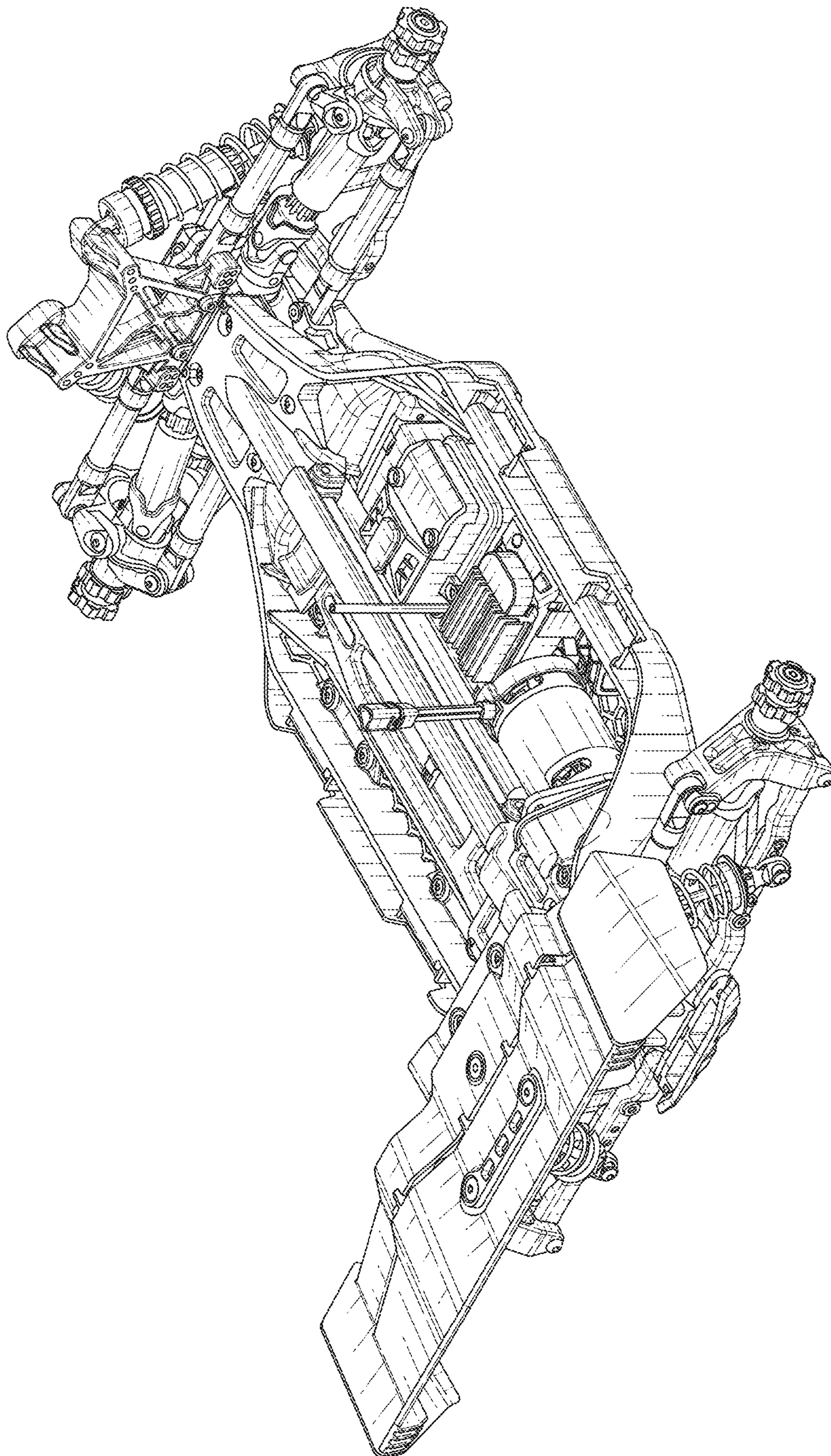


FIG. 2

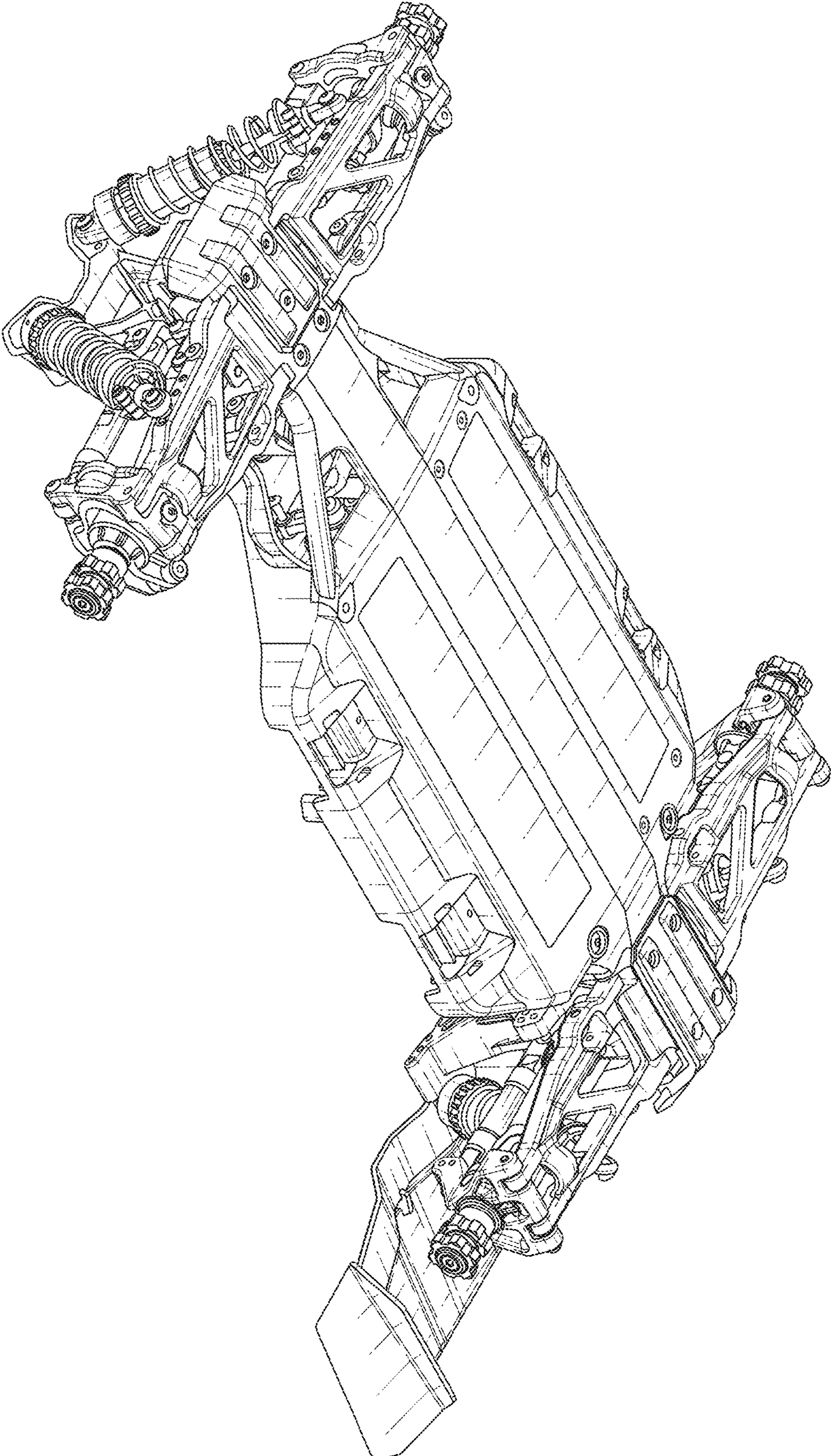


FIG. 3

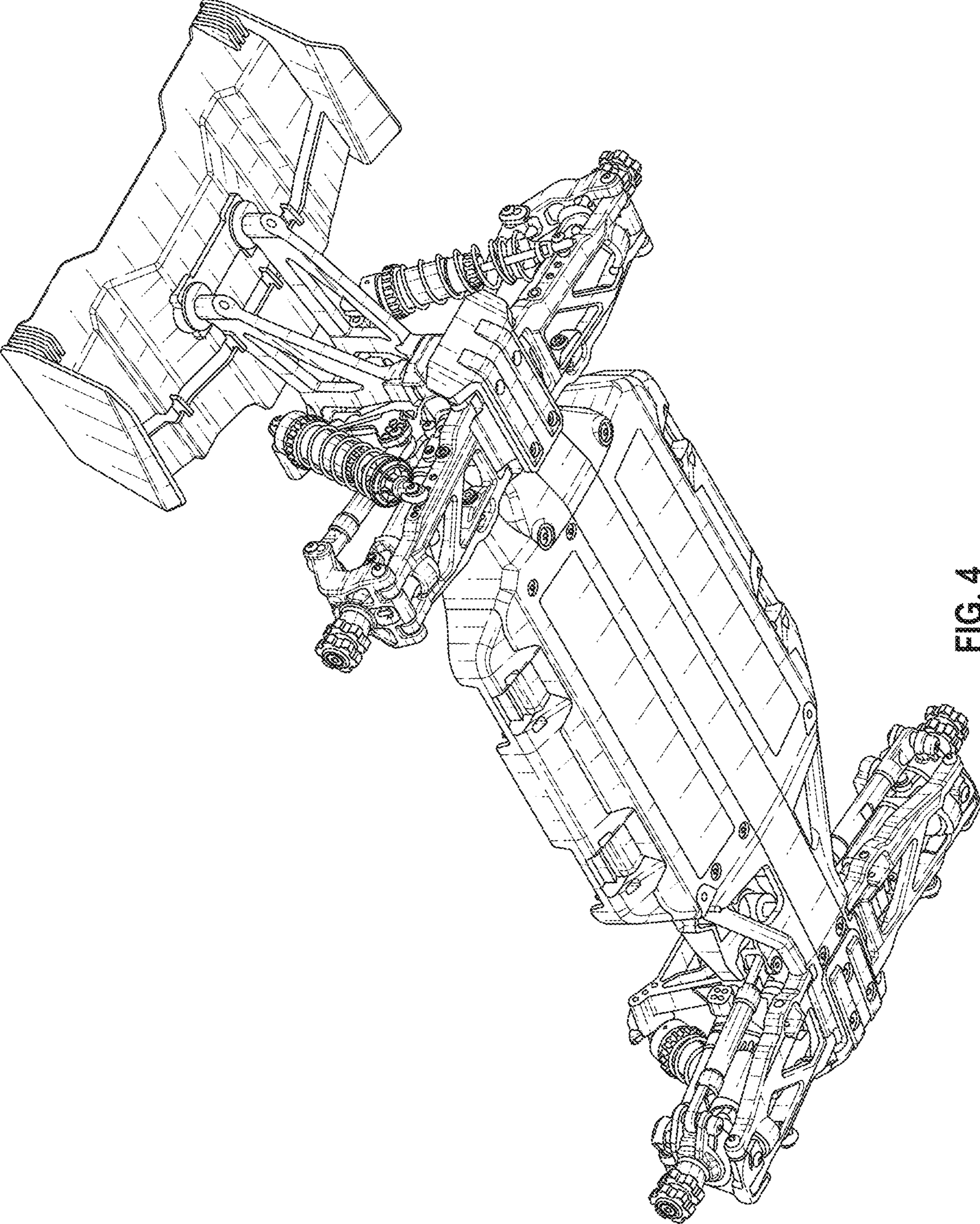


FIG. 4

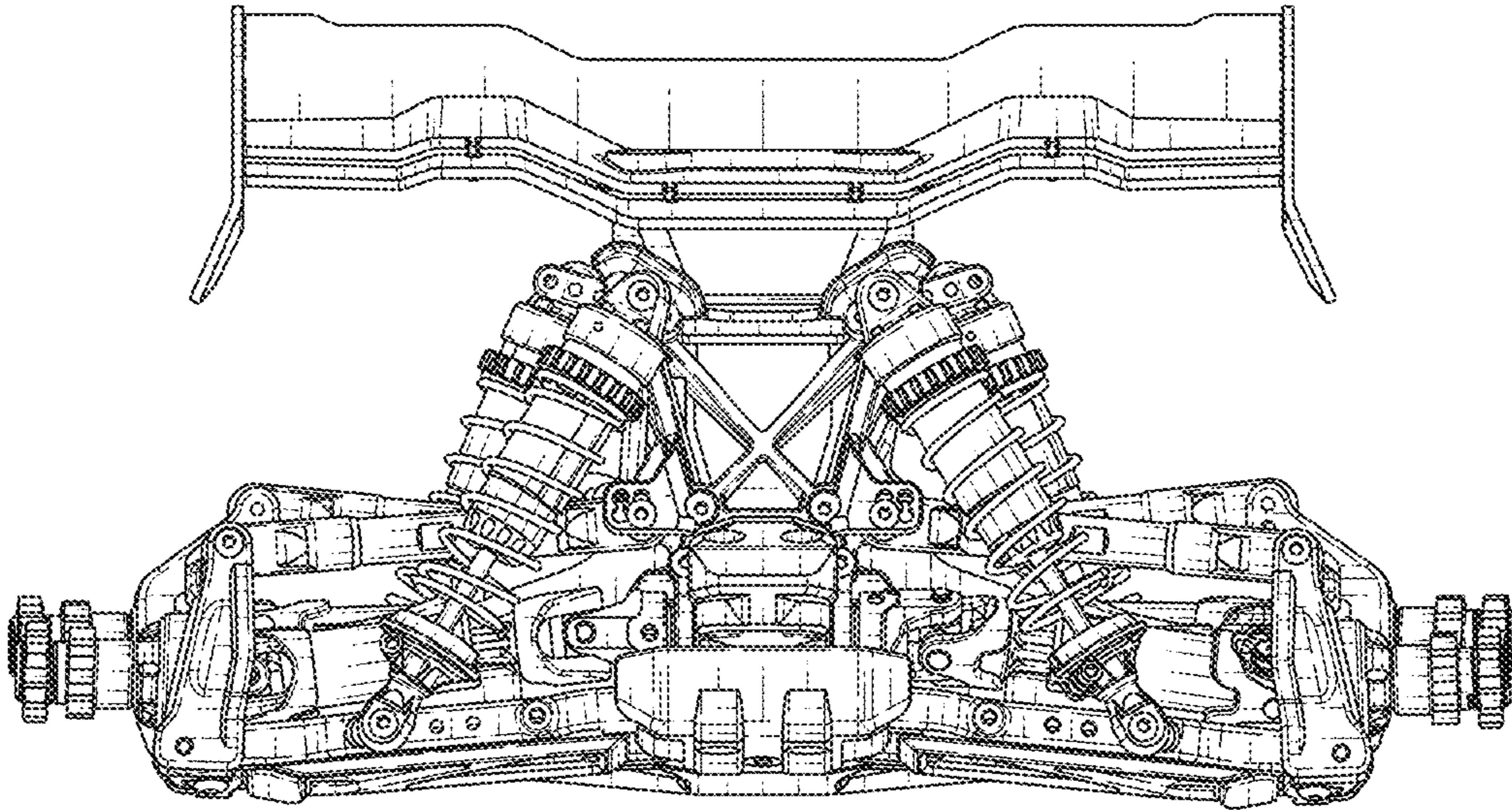


FIG. 5

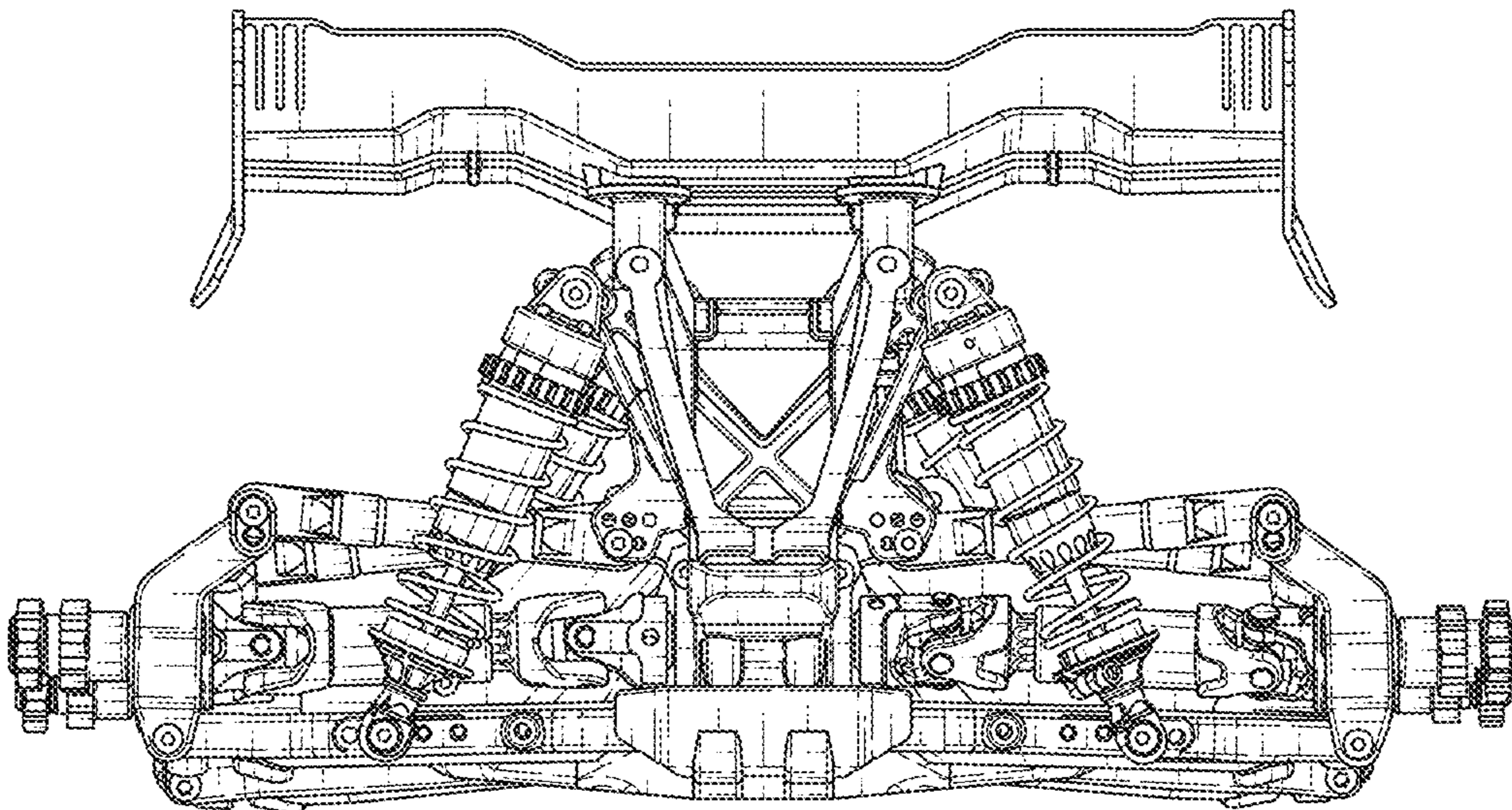


FIG. 6

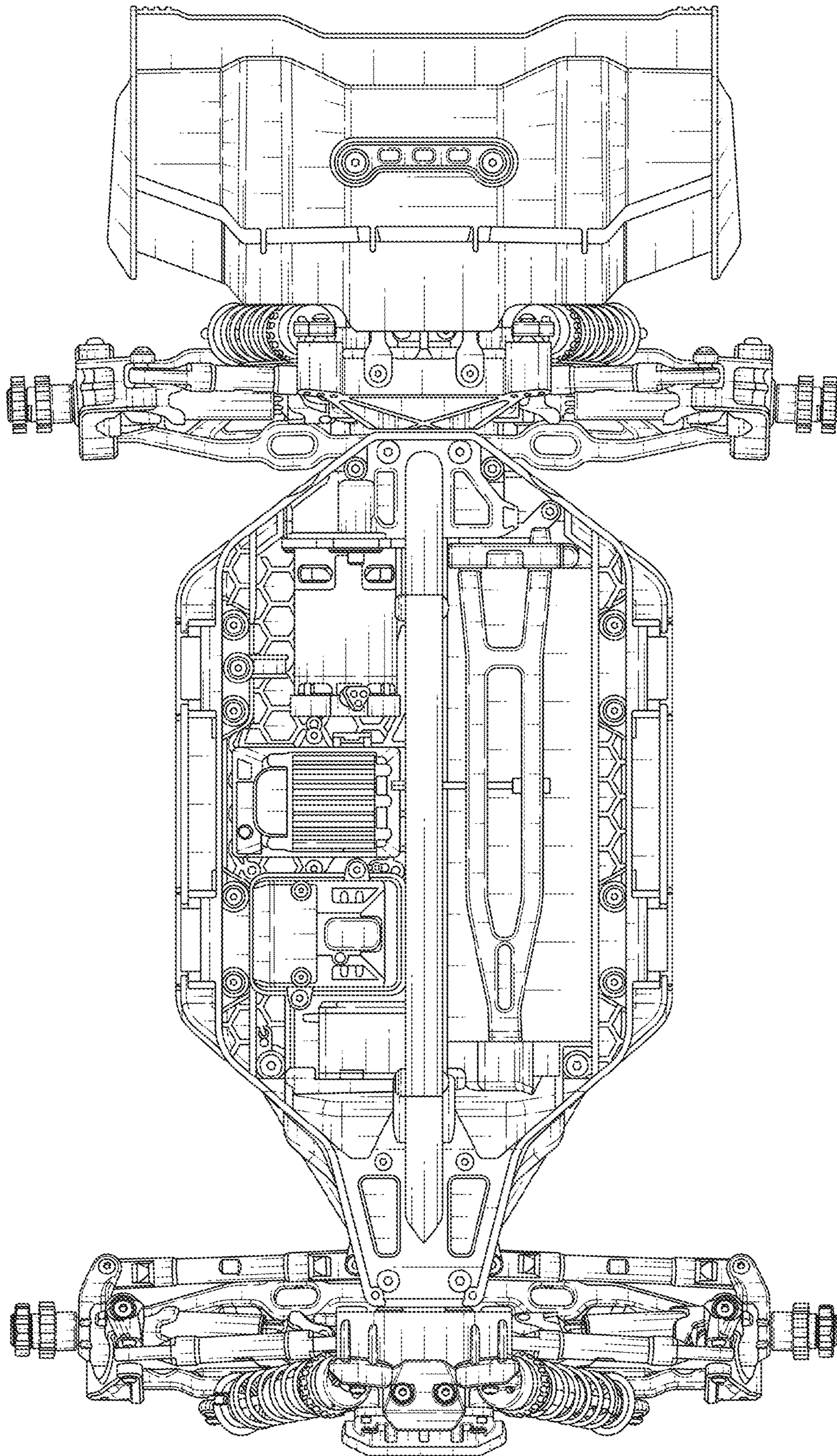


FIG. 7

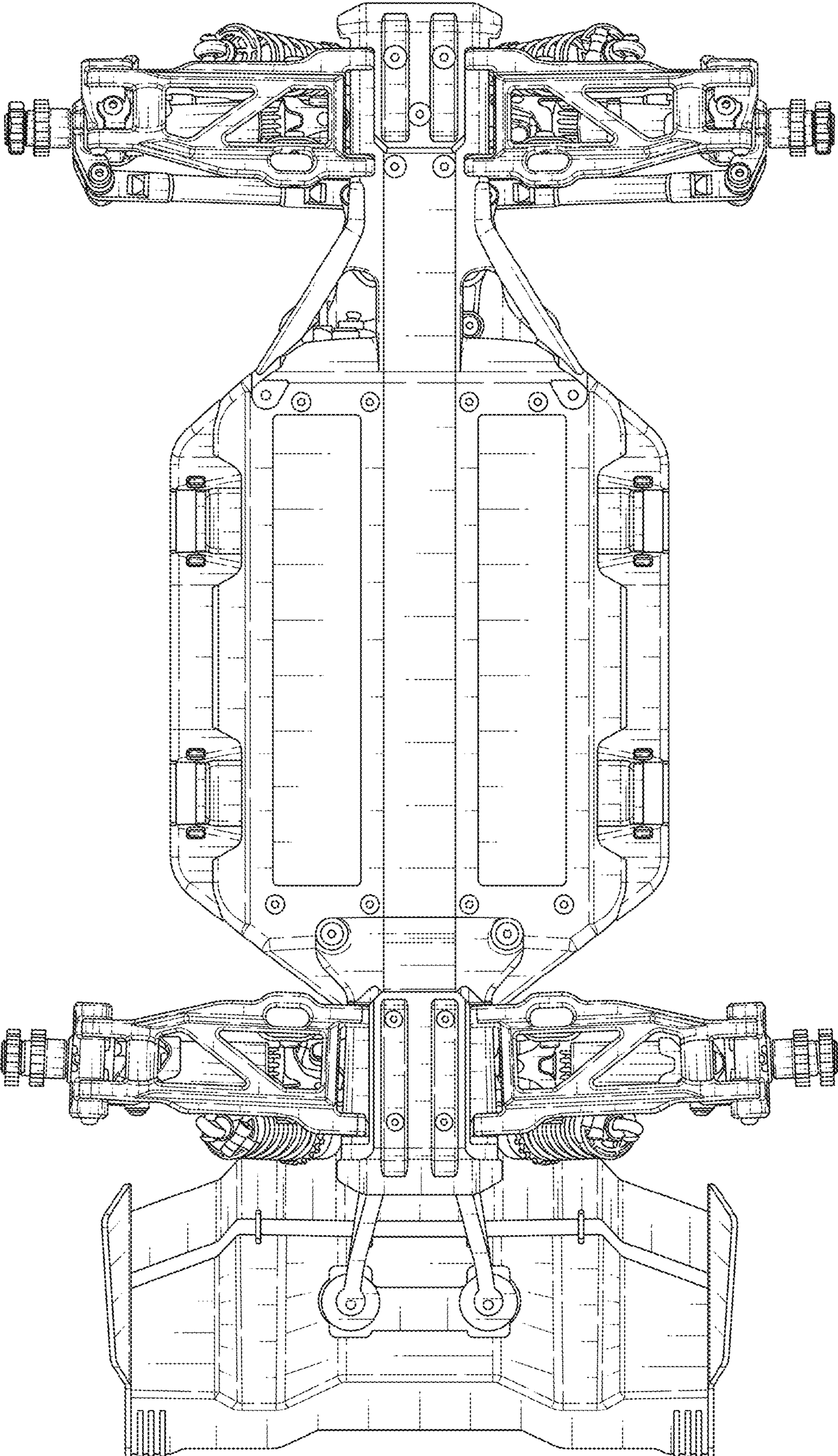


FIG. 8

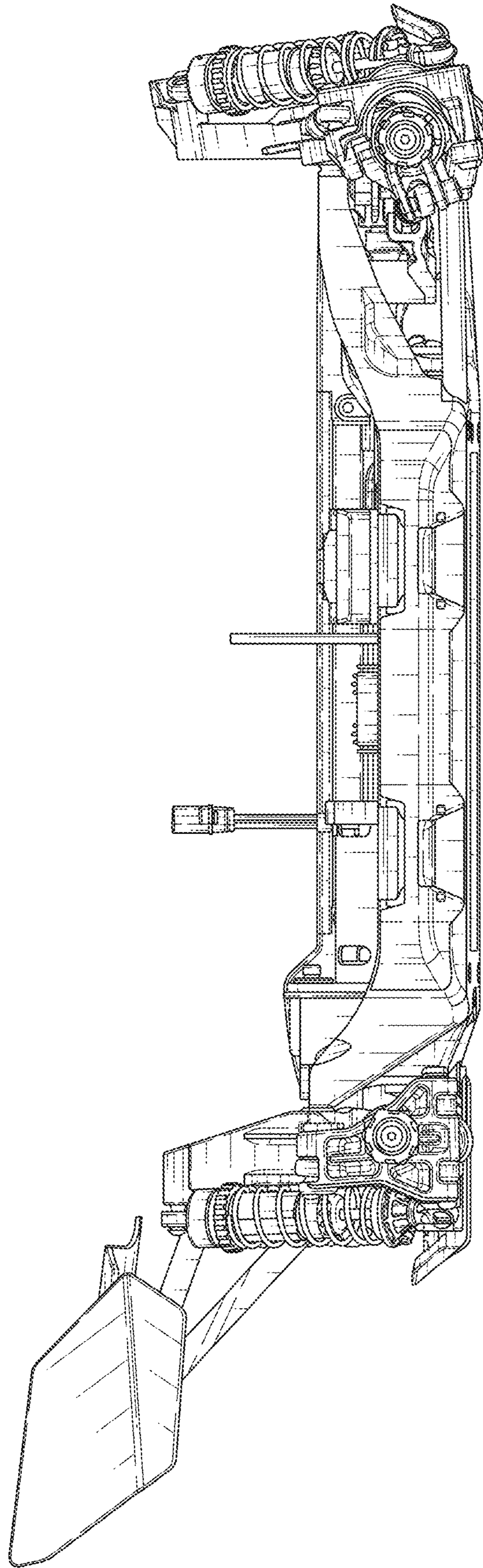


FIG. 9

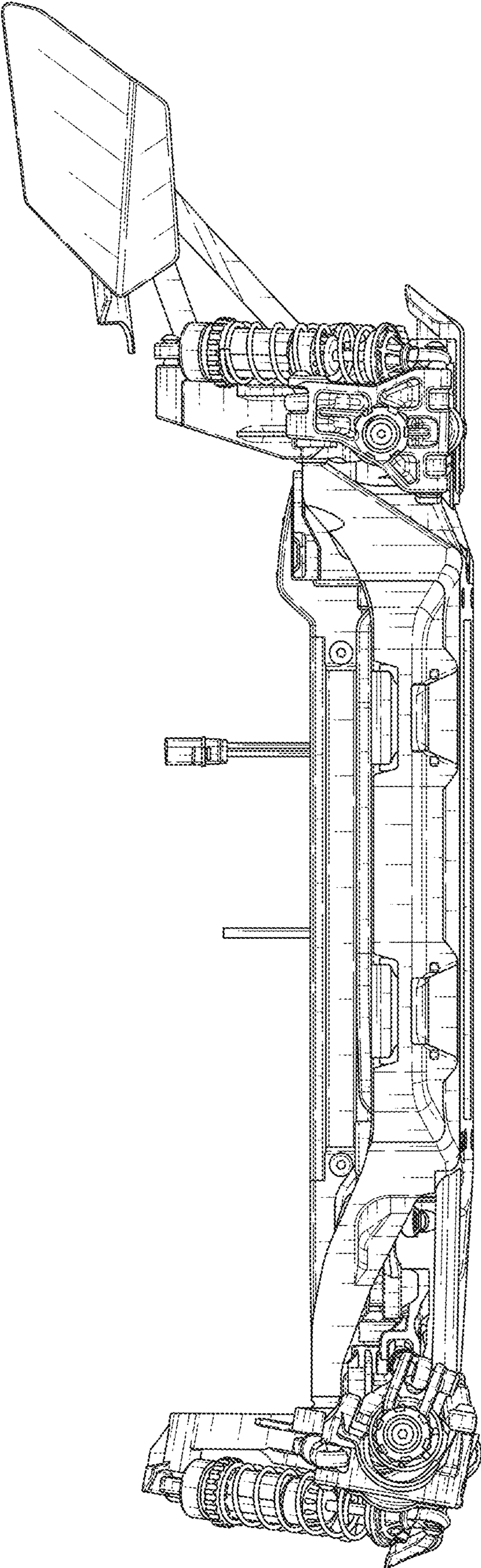


FIG. 10