



US0D1125968S

(12) **United States Design Patent** (10) **Patent No.:** **US D1,125,968 S**  
**Carr et al.** (45) **Date of Patent:** **\*\* May 12, 2026**

(54) **SHARPENING PLATE**

FOREIGN PATENT DOCUMENTS

(71) Applicant: **TANDY LEATHER FACTORY, INC.**,  
Fort Worth, TX (US)

EM 001459689-0001 \* 9/2017

(72) Inventors: **Janet Carr**, Fort Worth, TX (US); **Tara Doherty**, Dallas, TX (US)

OTHER PUBLICATIONS

(73) Assignee: **TANDY LEATHER FACTORY, INC.**,  
Fort Worth, TX (US)

Tandy Leather, Craftool® Sharpening Plate, [no date avail], searched Feb. 12, 2025, <https://tandy-leather.com/products/craftool-sharpening-plate> (Year: 2025).\*

(\*\*) Term: **15 Years**

Reddit, Using a Craftool Sharpening Plate to sharpen my edgers, 3yr ago, [https://www.reddit.com/r/Leathercraft/comments/spimdh/using\\_a\\_craftool\\_sharpening\\_plate\\_to\\_sharpen\\_my/?rdt=48974](https://www.reddit.com/r/Leathercraft/comments/spimdh/using_a_craftool_sharpening_plate_to_sharpen_my/?rdt=48974) (Year: 2022).\*

(21) Appl. No.: **29/867,155**

Wayback Machine, Tandy Leather Craftool, Jan. 17, 2022, <https://web.archive.org/web/20220117232324/https://tandy-leather.com/products/craftool-sharpening-plate> (Year: 2022).\*

(22) Filed: **Oct. 12, 2022**

\* cited by examiner

(51) **LOC (15) Cl.** ..... **08-05**

(52) **U.S. Cl.**  
USPC ..... **D8/91**

(58) **Field of Classification Search**  
USPC ..... D15/128, 129; D8/90, 91, 98, 93, 94  
CPC ..... B27B 9/04; B23D 59/00; B23D 47/02;  
B27G 19/10; B24D 15/06; B23Q 16/08;  
B24B 9/04; B24B 3/38

*Primary Examiner* — Calvin E Vansant

*Assistant Examiner* — Olivia H Aldin

(74) *Attorney, Agent, or Firm* — HAYNES AND BOONE, LLP

See application file for complete search history.

(57) **CLAIM**

The ornamental design for a sharpening plate as shown and described.

(56) **References Cited**

**DESCRIPTION**

U.S. PATENT DOCUMENTS

- 4,571,893 A \* 2/1986 Braasch ..... B24D 99/00  
451/529
- D340,178 S \* 10/1993 Kashani ..... D8/91
- D375,441 S \* 11/1996 McCoy ..... D8/93
- D539,111 S \* 3/2007 Cardew ..... D8/91
- D708,922 S \* 7/2014 Evans ..... D8/91
- 10,675,736 B1 \* 6/2020 Boutorine ..... B24D 15/06
- D976,075 S \* 1/2023 Baig ..... D8/93
- D1,006,584 S \* 12/2023 Baig ..... D8/91
- D1,028,667 S \* 5/2024 Barth ..... D8/91
- D1,028,669 S \* 5/2024 Carr ..... D8/98
- D1,037,818 S \* 8/2024 deKok ..... D8/90
- 2015/0174723 A1 \* 6/2015 Powell ..... B23Q 16/08  
451/378
- 2023/0381874 A1 \* 11/2023 Kurajdova ..... B27B 9/04

FIG. 1 is a front perspective view of a sharpening plate showing my new design;

FIG. 2 is a front view thereof;

FIG. 3 is a rear view thereof;

FIG. 4 is a right side view thereof;

FIG. 5 is a left side view thereof;

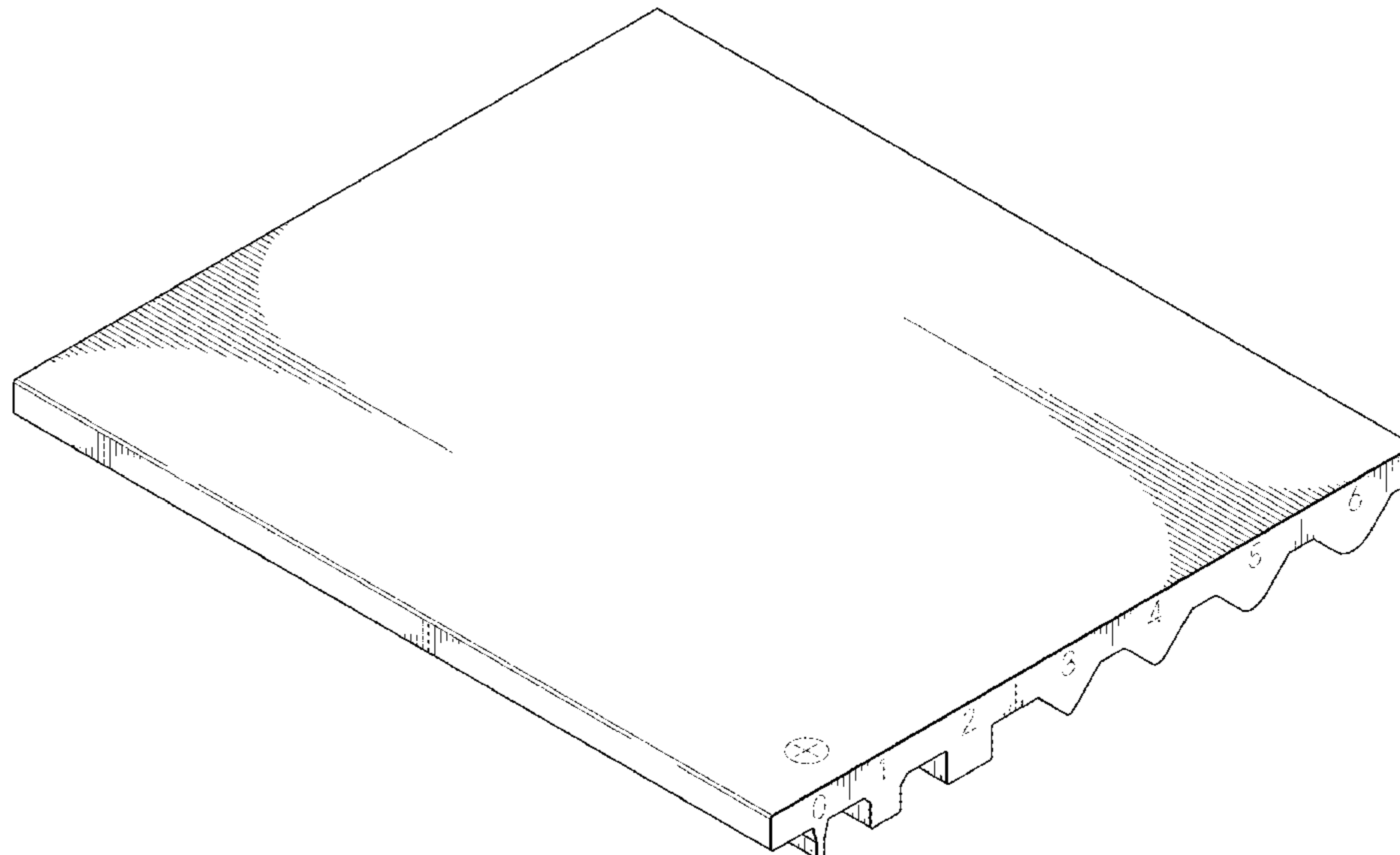
FIG. 6 is a top view thereof;

FIG. 7 is a bottom view thereof; and,

FIG. 8 is a rear perspective view thereof.

The dash-dash broken lines illustrate portions of the article that do not form part of the claimed design.

**1 Claim, 6 Drawing Sheets**



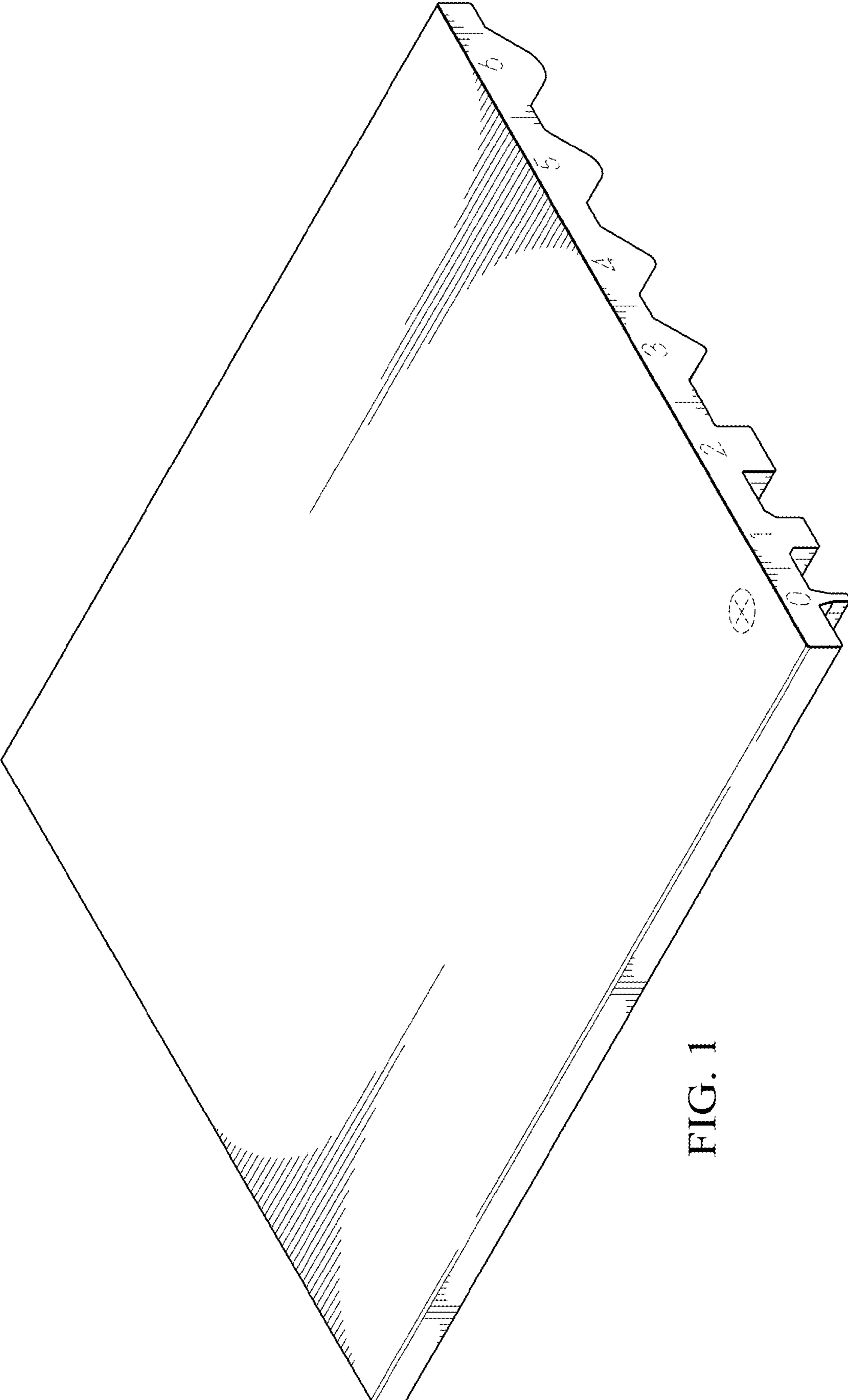


FIG. 1

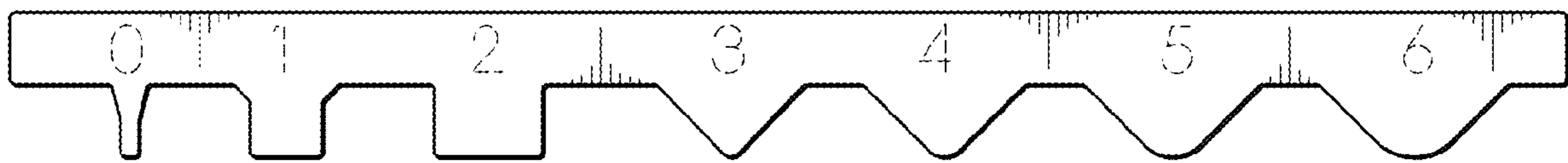


FIG. 2

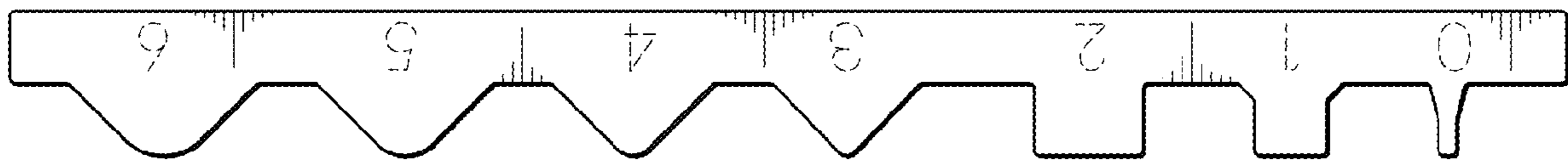


FIG. 3

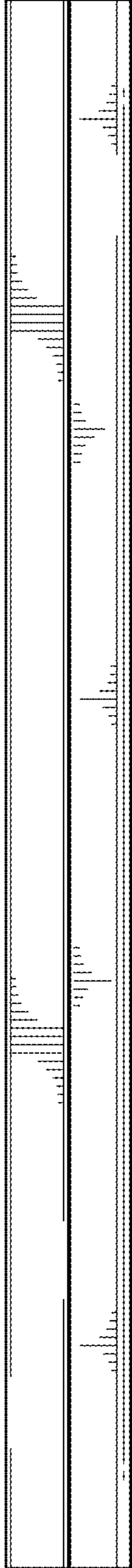


FIG. 4

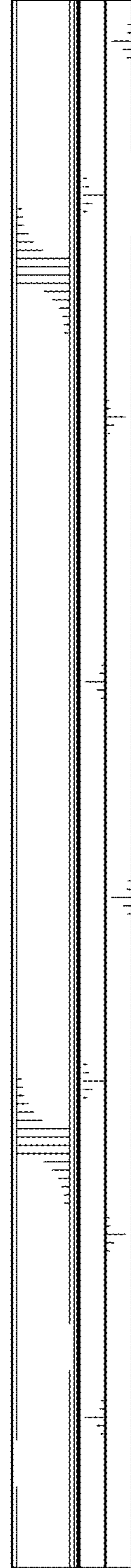


FIG. 5

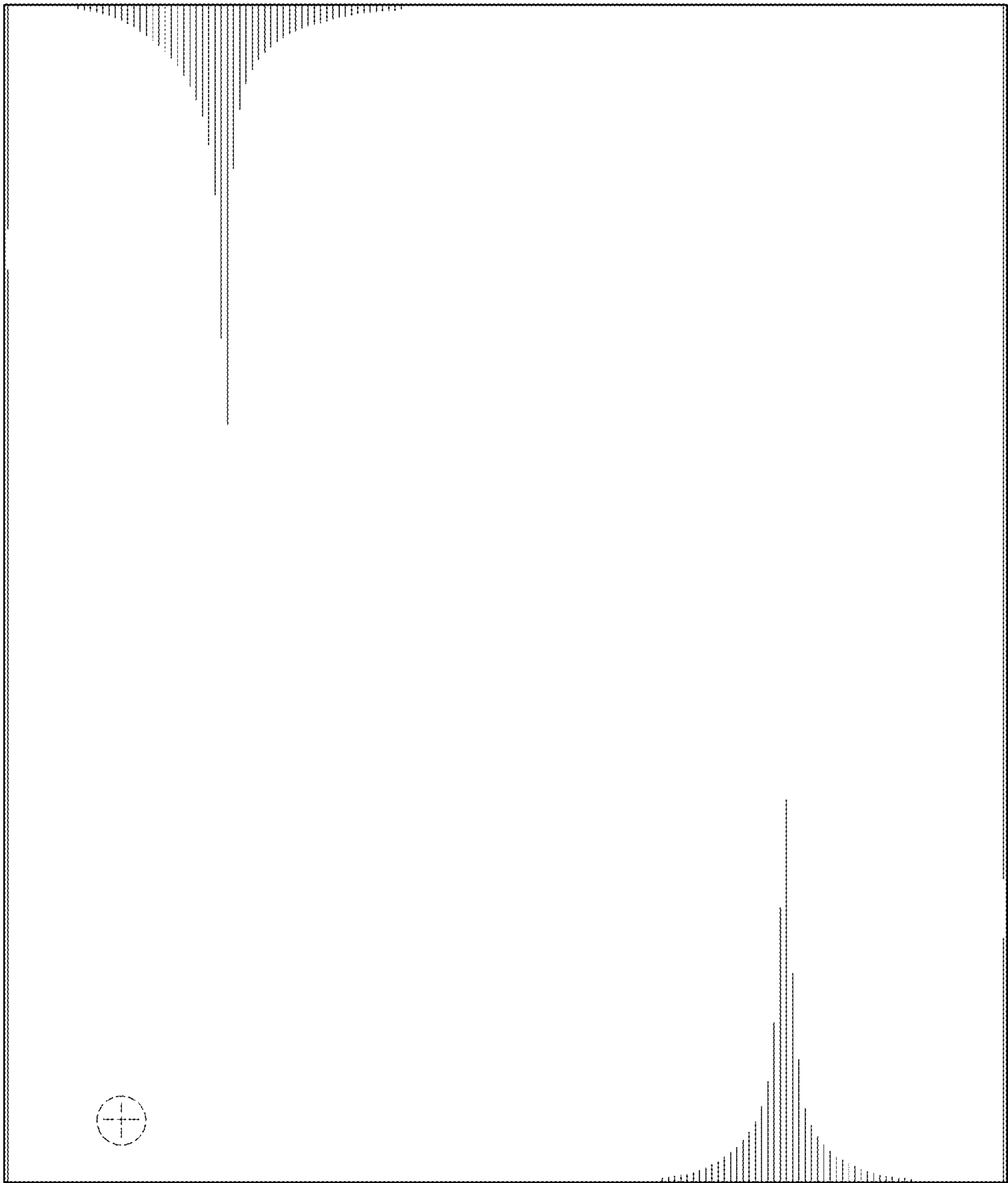


FIG. 6

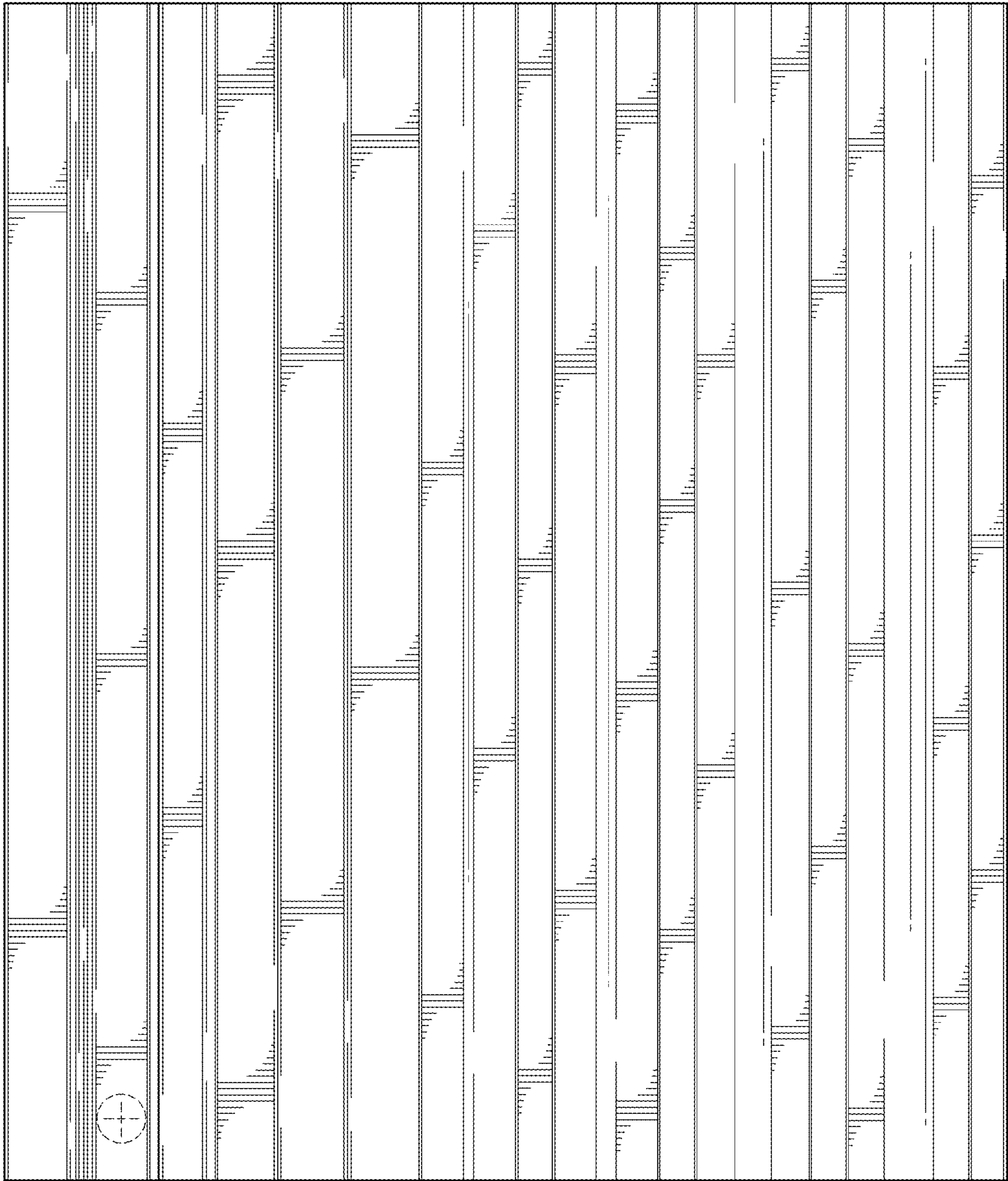


FIG. 7

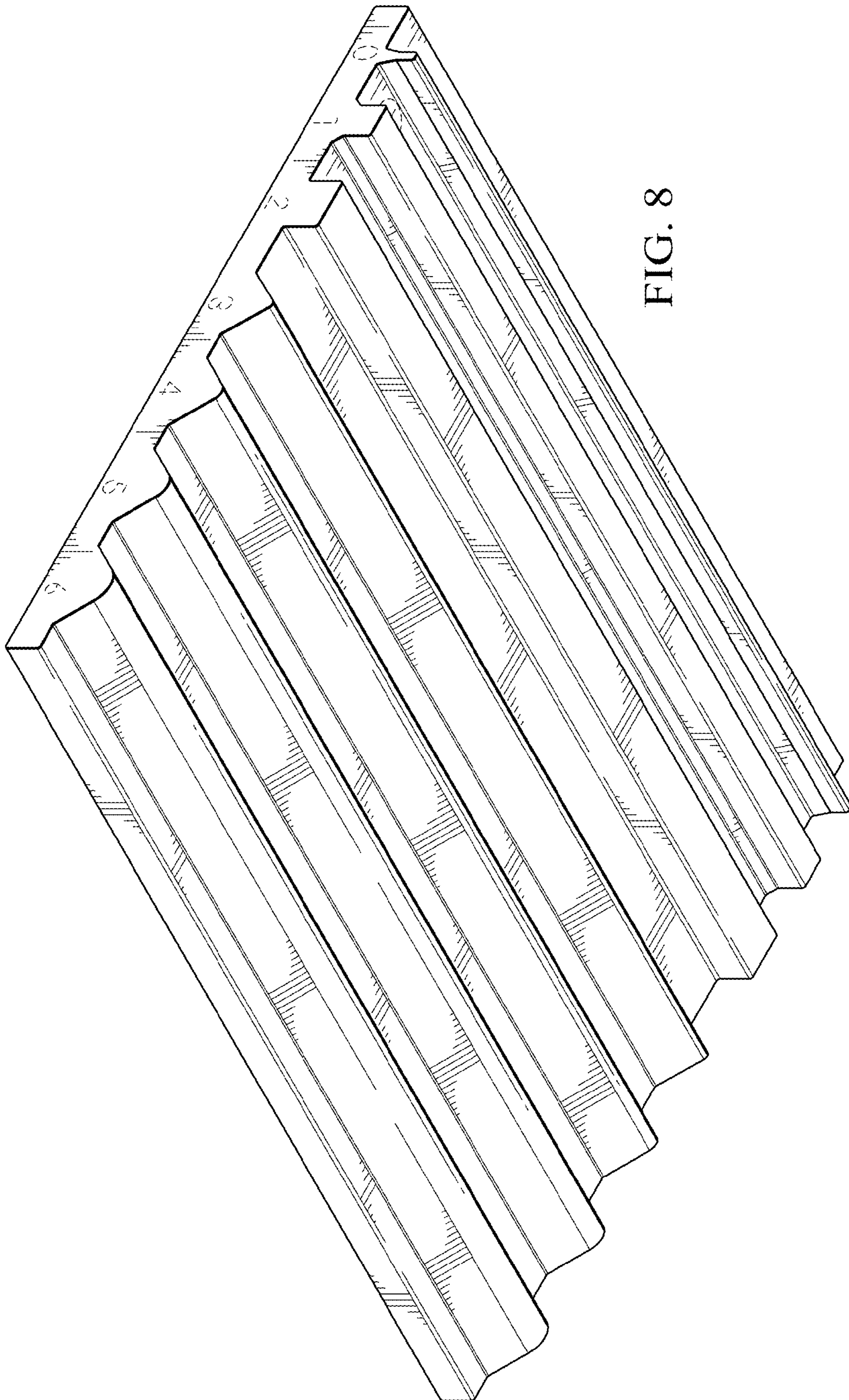


FIG. 8