



US0D1125652S

(12) **United States Design Patent**
Satterfield

(10) **Patent No.:** **US D1,125,652 S**

(45) **Date of Patent:** **** May 5, 2026**

(54) **LIGHT FIXTURE**

(71) Applicant: **NEOTEK INC.**, Midlothian, TX (US)

(72) Inventor: **Lawrence Craig Satterfield**,
Midlothian, TX (US)

(73) Assignee: **NEOTEK INC.**, Midlothian, TX (US)

(**) Term: **15 Years**

(21) Appl. No.: **29/927,174**

(22) Filed: **Feb. 2, 2024**

(51) **LOC (15) Cl.** **26-05**

(52) **U.S. Cl.**
USPC **D26/72**

(58) **Field of Classification Search**

USPC ... D26/3, 24, 42, 46, 60, 72, 74, 75, 76, 78,
D26/79, 80, 81, 82, 83, 84, 85, 86, 88,
D26/89, 90, 118, 120, 121, 122, 137, 138
CPC F21S 4/20; F21S 4/28; F21S 8/00; F21S
8/02; F21S 8/024; F21S 8/026; F21S
8/03; F21S 8/031; F21S 8/04; F21S
8/043; F21S 2/00; F21Y 2103/00; F21Y
2103/10; F21Y 2105/00; F21Y 2105/10;
F21Y 2105/16; F21V 19/008; F21V
23/0442; F21V 23/0471; H01R 25/00;
A01G 7/045

See application file for complete search history.

(56) **References Cited**

U.S. PATENT DOCUMENTS

D123,761 S * 12/1940 Pieper D26/24
D348,746 S * 7/1994 Herst D26/85

D348,950 S * 7/1994 Herst D26/85
D399,329 S * 10/1998 Compton D26/76
D544,139 S * 6/2007 Hargreaves D26/118
D667,584 S * 9/2012 Beghelli D26/75
D753,863 S * 4/2016 Bembridge D26/71
D786,471 S * 5/2017 Snell D26/74
D810,999 S * 2/2018 Tweel D26/120
D1,027,259 S * 5/2024 Calaceto D26/72
2017/0023193 A1 * 1/2017 Thosteson H05B 47/19

* cited by examiner

Primary Examiner — Richard Edgar

(74) *Attorney, Agent, or Firm* — Jacob M. Ward; Ward
Law Office LLC

(57) **CLAIM**

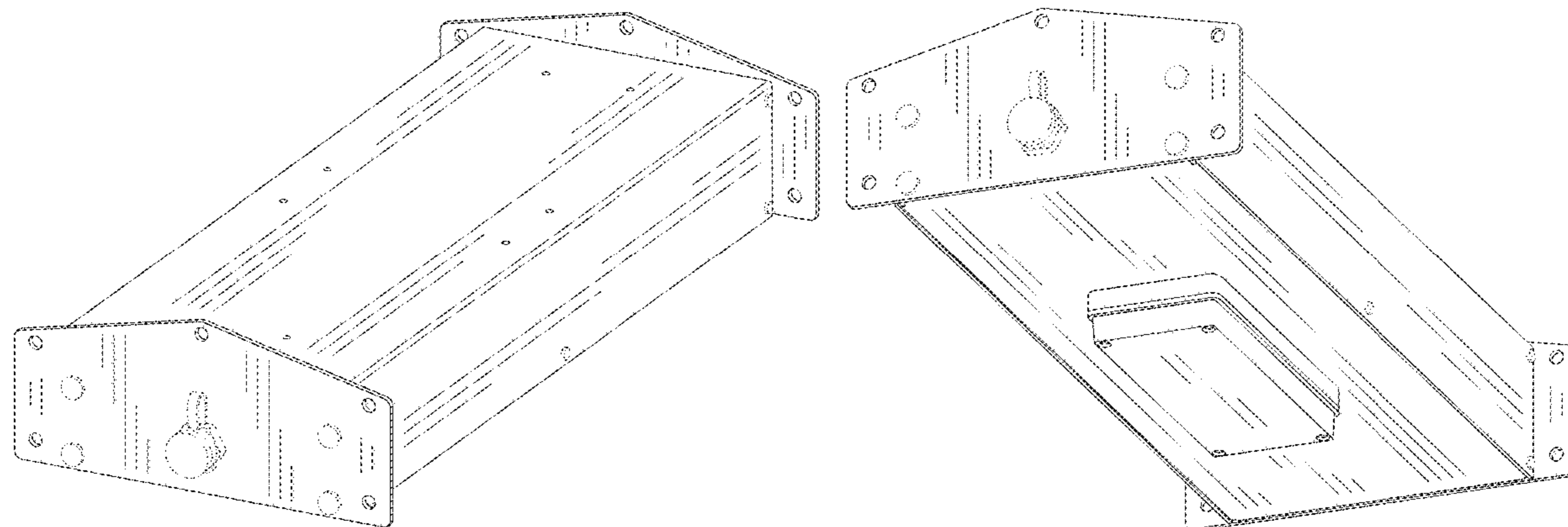
The ornamental design for a light fixture as shown and
described.

DESCRIPTION

FIG. 1 is a top perspective view of a light fixture;
FIG. 2 is a bottom perspective view thereof;
FIG. 3 is a top plan view thereof;
FIG. 4 is a bottom plan view thereof;
FIG. 5 is a right-side elevational view thereof, and a left-side
elevational view is not shown because it is a mirror image
to the right-side elevational view; and,
FIG. 6 is a front elevational view thereof, and a rear
elevational view is not shown because it is a mirror image
to the front elevational view.

The broken lines shown in the drawings show portions of the
light fixture that form no part of the claimed design.

1 Claim, 5 Drawing Sheets



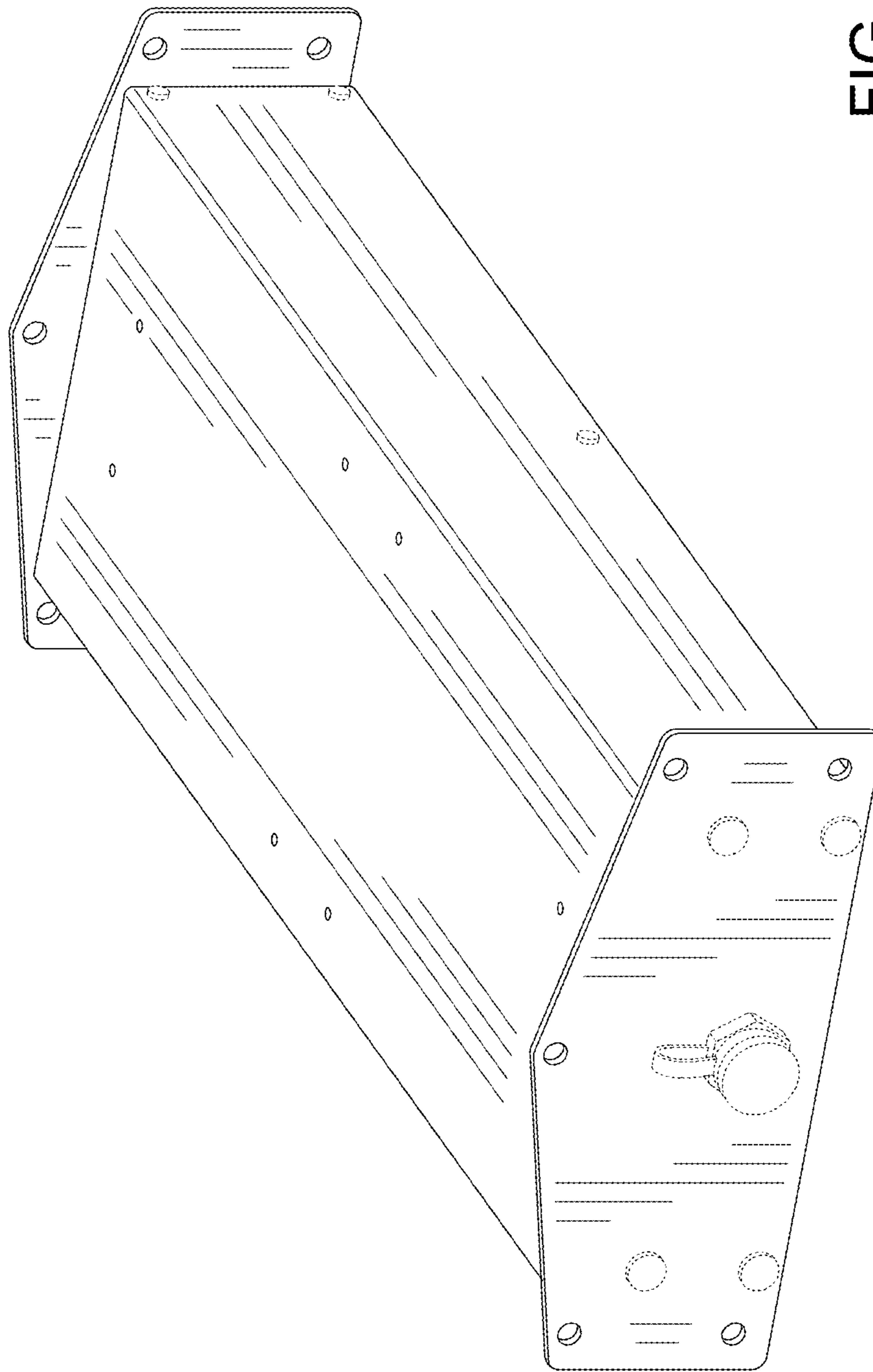


FIG. 1

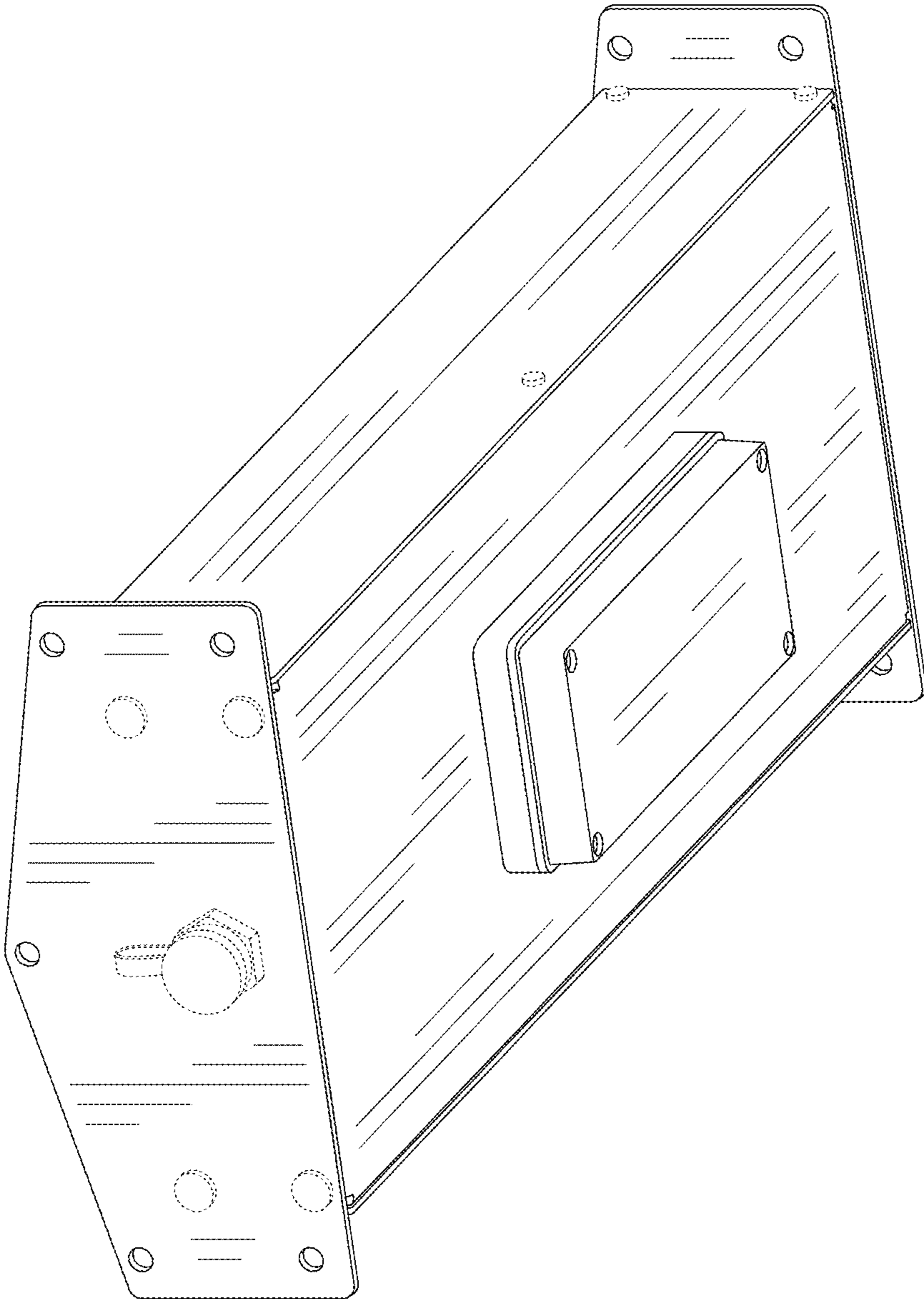


FIG. 2

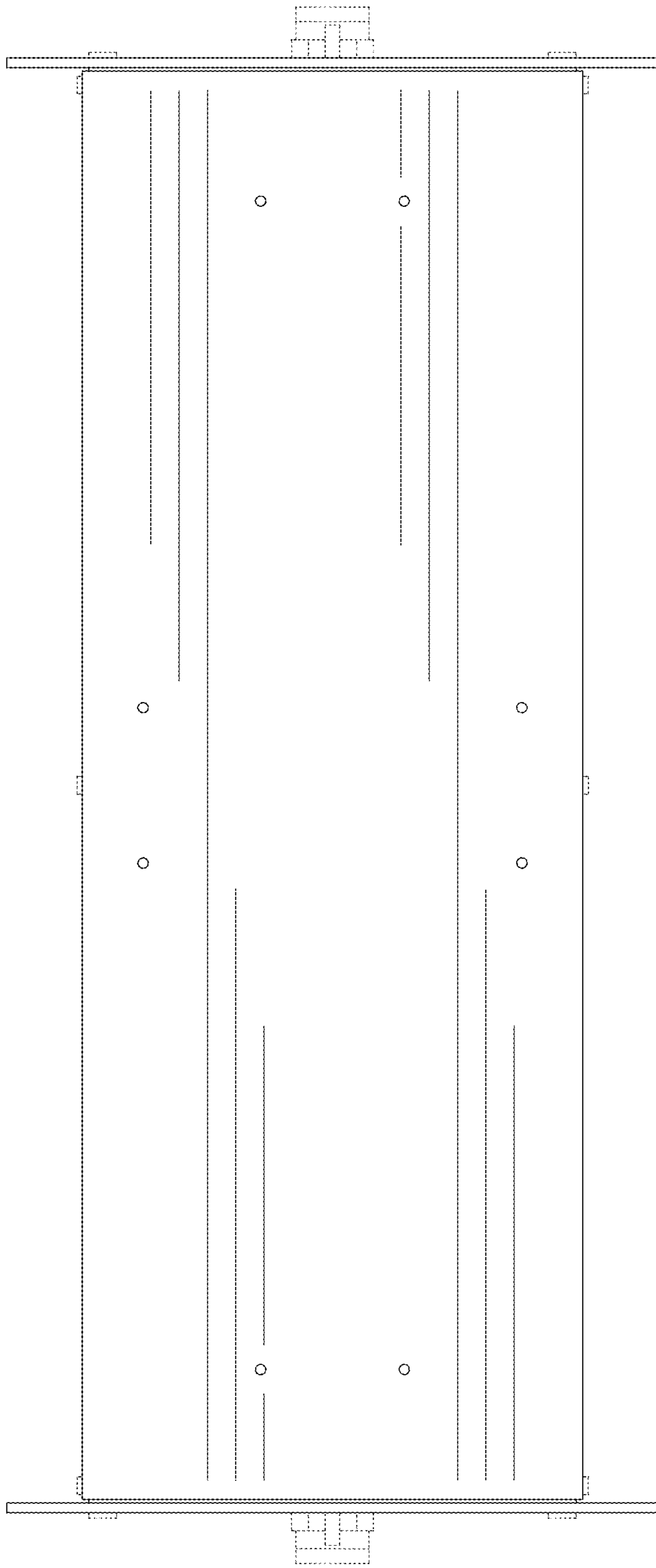


FIG. 3

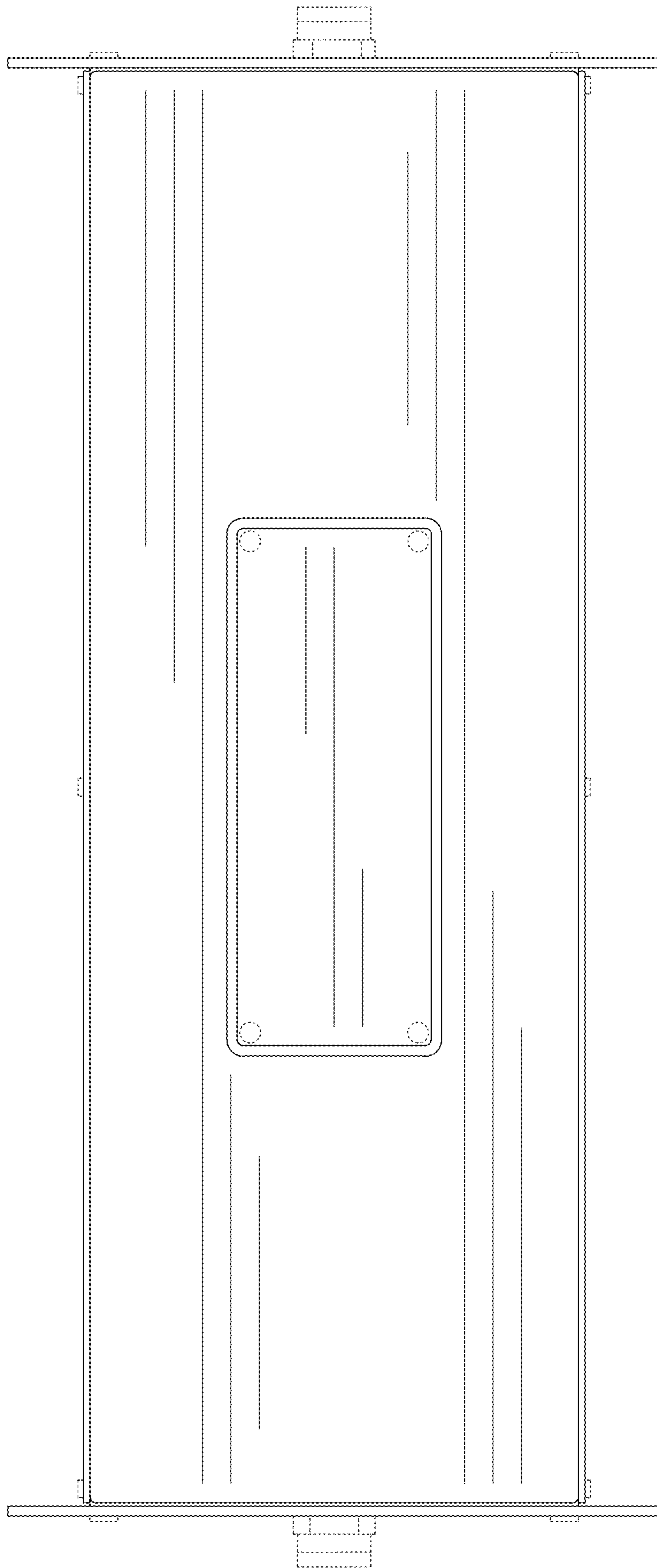


FIG. 4

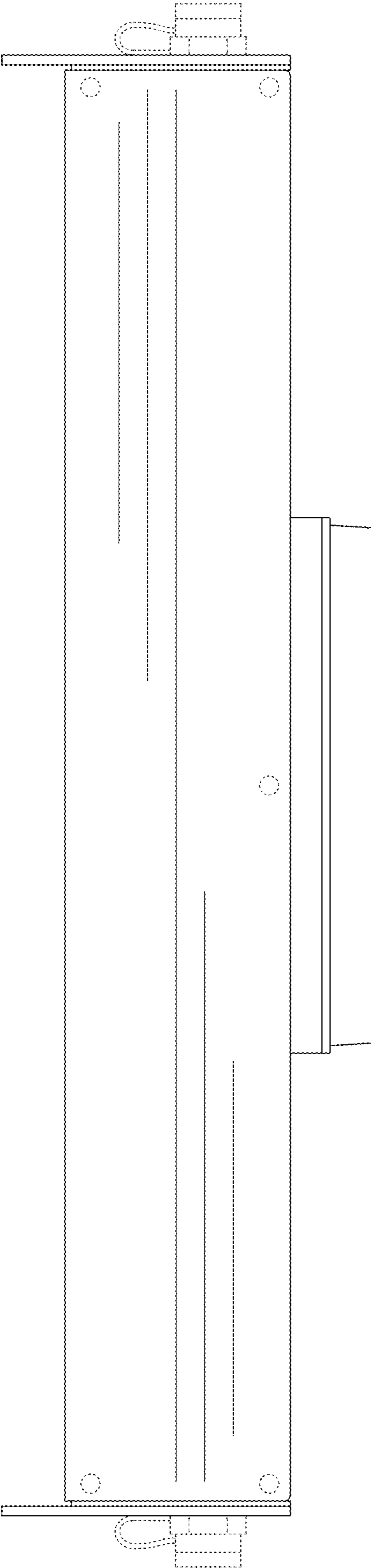


FIG. 5

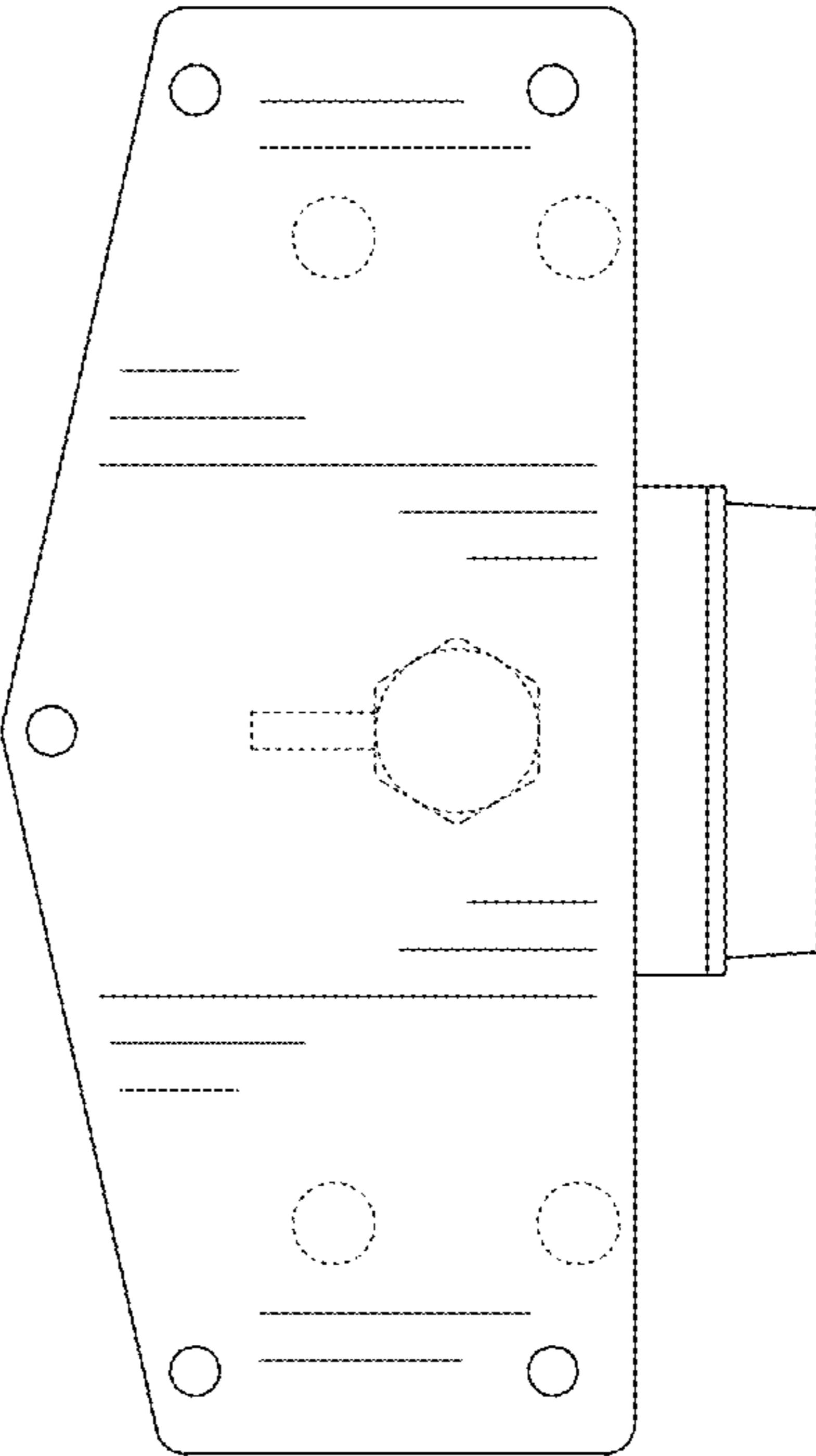


FIG. 6