



US0D1125451S

(12) **United States Design Patent** (10) **Patent No.:** **US D1,125,451 S**
Meadows et al. (45) **Date of Patent:** **** *May 5, 2026**

(54) **WINE FILTER CANISTER**

- (71) Applicant: **Purewine Inc.**, Grapevine, TX (US)
- (72) Inventors: **David Meadows**, Colleyville, TX (US);
Derek Meadows, Colleyville, TX (US)
- (73) Assignee: **Purewine Inc.**, Grapevine, TX (US)
- (*) Notice: This patent is subject to a terminal disclaimer.
- (**) Term: **15 Years**
- (21) Appl. No.: **29/745,776**

- (22) Filed: **Aug. 9, 2020**
- (51) **LOC (15) Cl.** **23-01**
- (52) **U.S. Cl.**
USPC **D23/209**
- (58) **Field of Classification Search**
USPC D23/209, 235, 341, 358, 363–365;
D7/397–398
CPC B01D 46/0002; B01D 46/10; F02M 35/04;
F02M 35/10; F02M 35/024
See application file for complete search history.

(56) **References Cited**

U.S. PATENT DOCUMENTS

D753,952 S	4/2016	Meadows et al.	
D753,953 S	4/2016	Meadows et al.	
D788,263 S *	5/2017	Brixius	B01D 35/30 D23/209
D816,798 S *	5/2018	Rayle	D23/209
D870,510 S *	12/2019	Meadows	D7/397
D958,931 S *	7/2022	Li	D23/209
D988,466 S *	6/2023	McMahon	D23/209
D1,002,793 S *	10/2023	Kamath	D23/209
D1,007,641 S *	12/2023	Kamath	D23/207
D1,044,398 S *	10/2024	Song	D7/398
2025/0161888 A1 *	5/2025	Tsai	B01F 23/237611

OTHER PUBLICATIONS

PureWine Phoenix Wine Purifier, Sep. 30, 2021, amazon.com, Sep. 8, 2025, URL: <https://www.amazon.com/PureWine-Histamines-Sulfites-Reusable-Allergies/dp/B09HJMRZWS?th=1> (Year: 2021).*

* cited by examiner

Primary Examiner — Keith J Wilson

(74) *Attorney, Agent, or Firm* — Silverline Legal, PLLC; Tynia A. McQuigg; Drew T. Palmer

(57) **CLAIM**

The ornamental design for a wine filter canister as shown and described.

DESCRIPTION

FIG. 1 is a top perspective view of another embodiment of the claimed wine filter canister.

FIG. 2 is a left side view of the wine filter canister of FIG. 1.

FIG. 3 is a front view of the wine filter canister of FIG. 1.

FIG. 4 is a right side view of the wine filter canister of FIG. 1.

FIG. 5 is a back view of the wine filter canister of FIG. 1.

FIG. 6 is a top view of the wine filter canister of FIG. 1.

FIG. 7 is bottom view of wine filter canister of FIG. 1.

FIG. 8 is an additional top perspective view of the wine filter canister of FIG. 1.

FIG. 9 is an additional top perspective view of the wine filter canister of FIG. 1.

FIG. 10 is an additional top perspective view of the wine filter canister of FIG. 1; and,

FIG. 11 is an additional top perspective view of the wine filter canister of FIG. 1.

Surface contour lines are presented only to better illustrate the three-dimensional form of the various embodiments and should not be interpreted as independent design elements or features. Elements shown in dashed lines are not part of the claim.

1 Claim, 6 Drawing Sheets

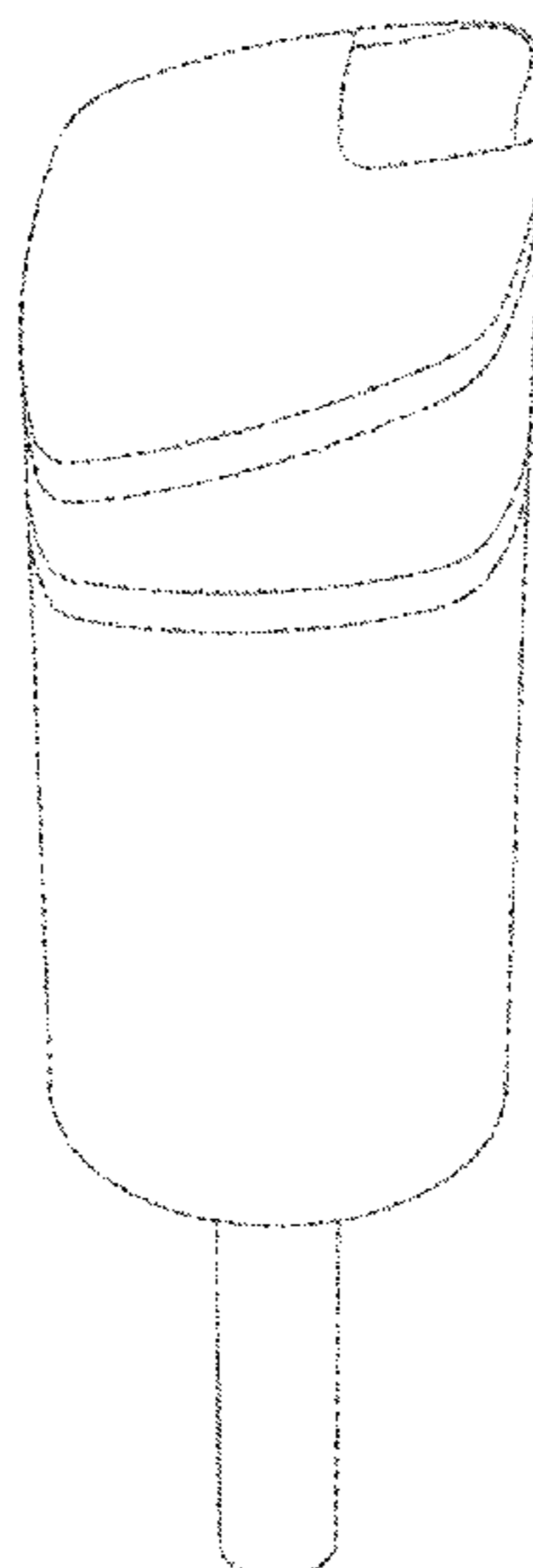


FIG. 1

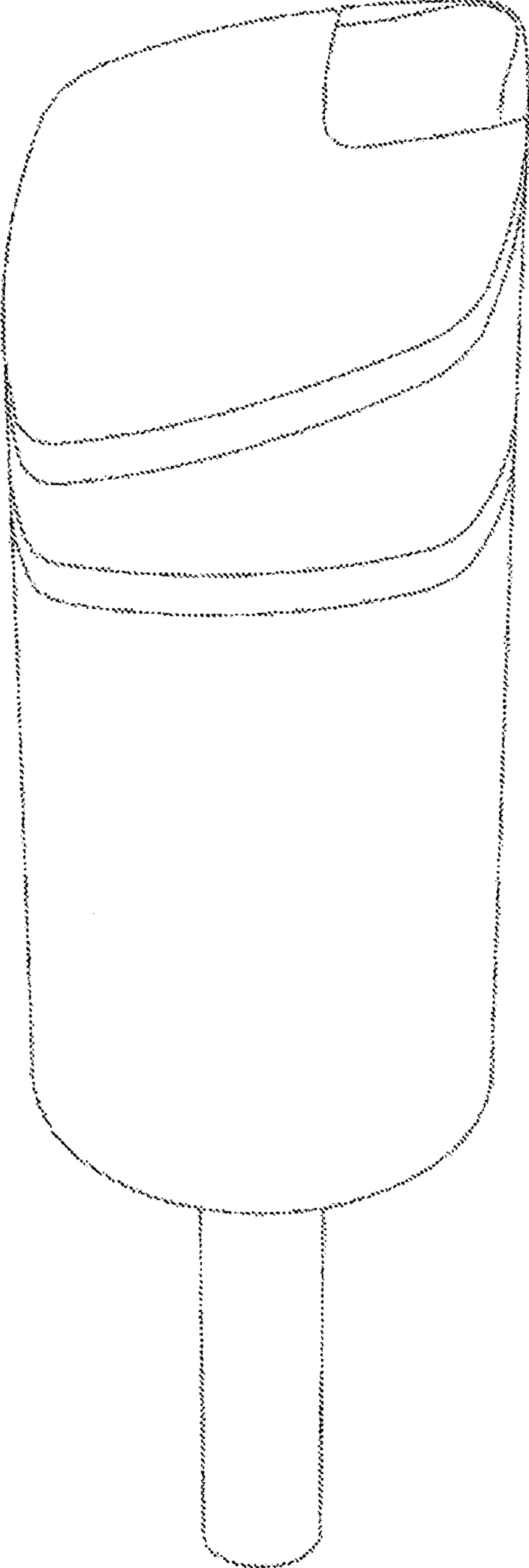


FIG. 2

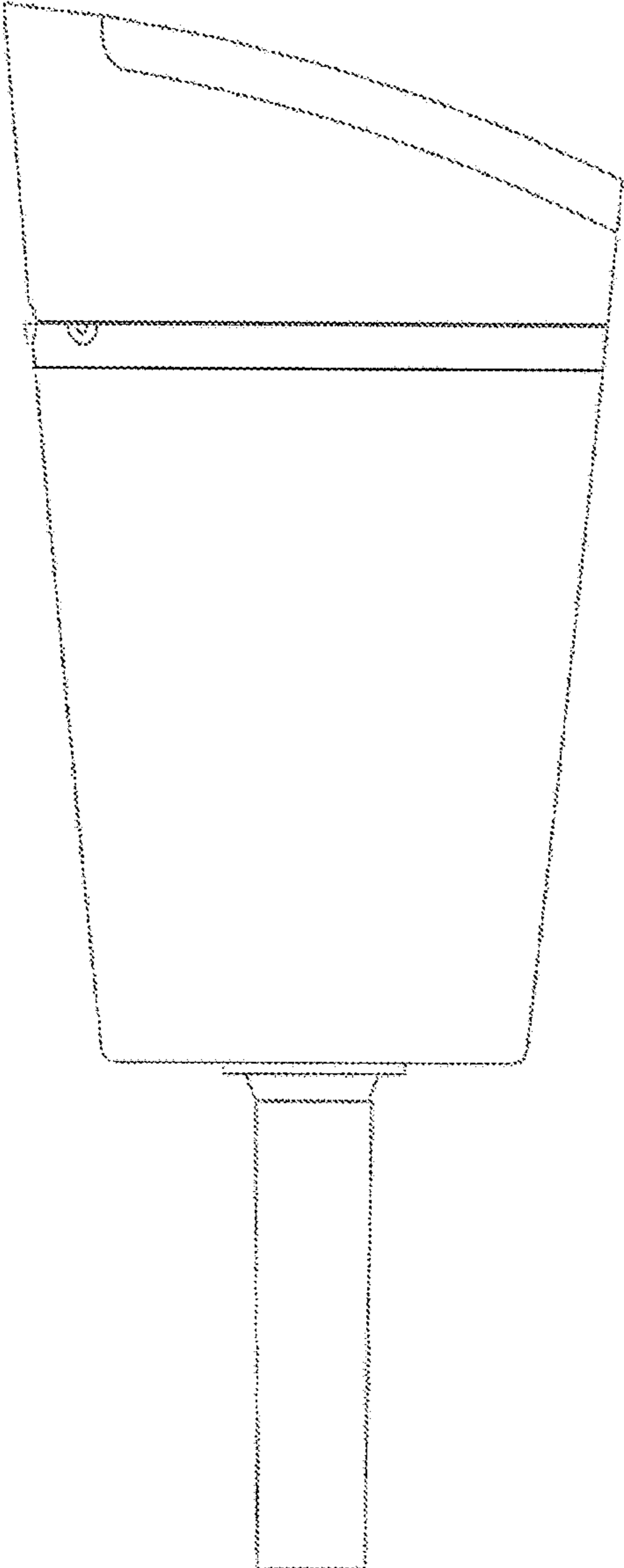


FIG. 3

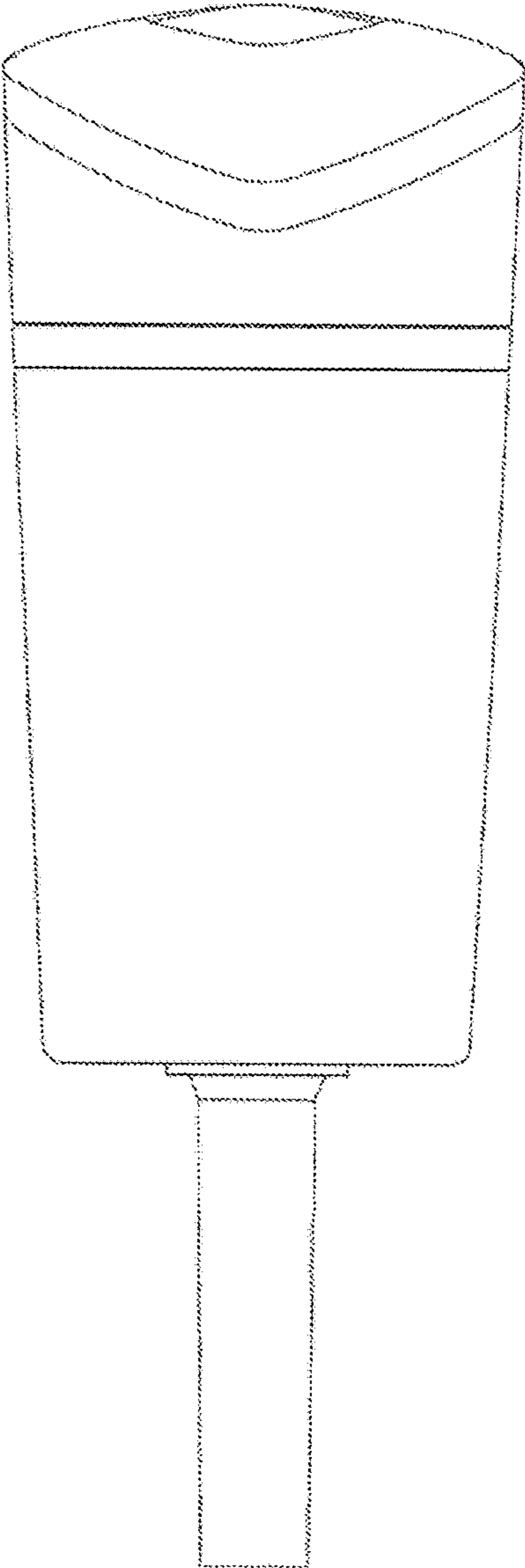


FIG. 4

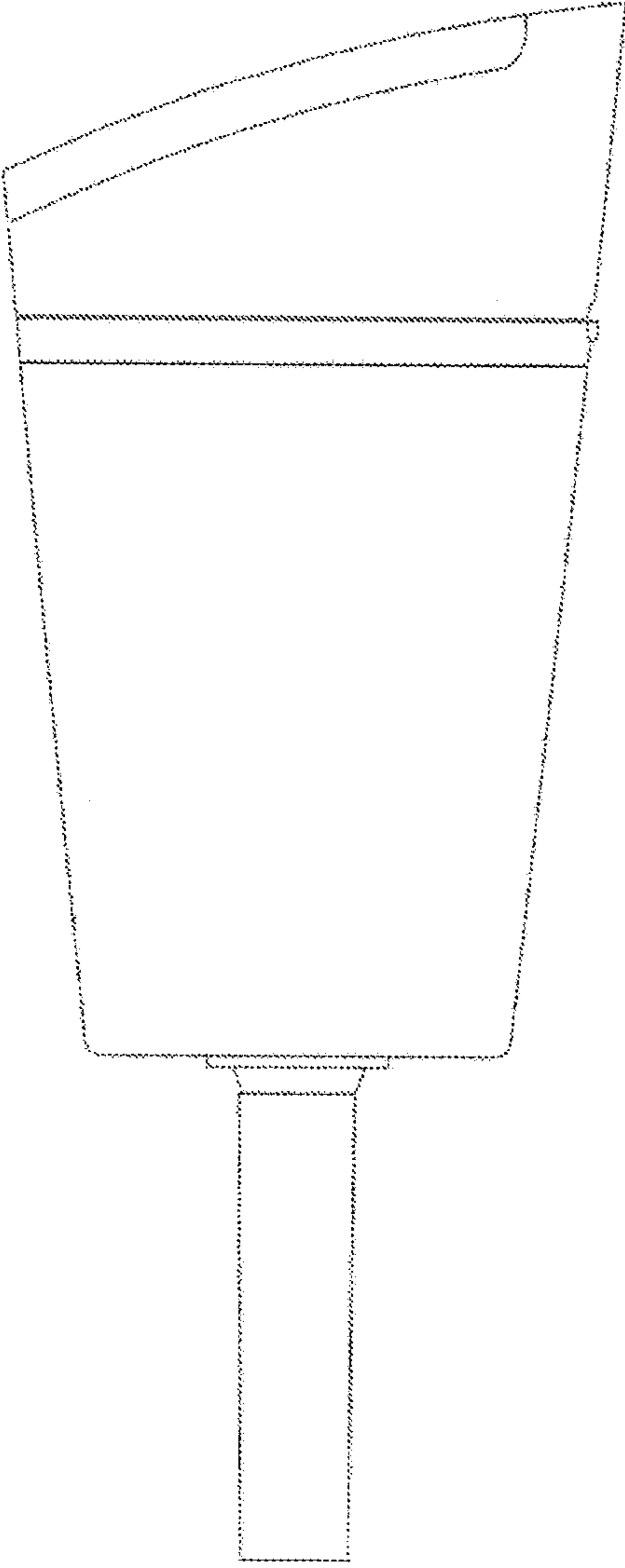


FIG. 5

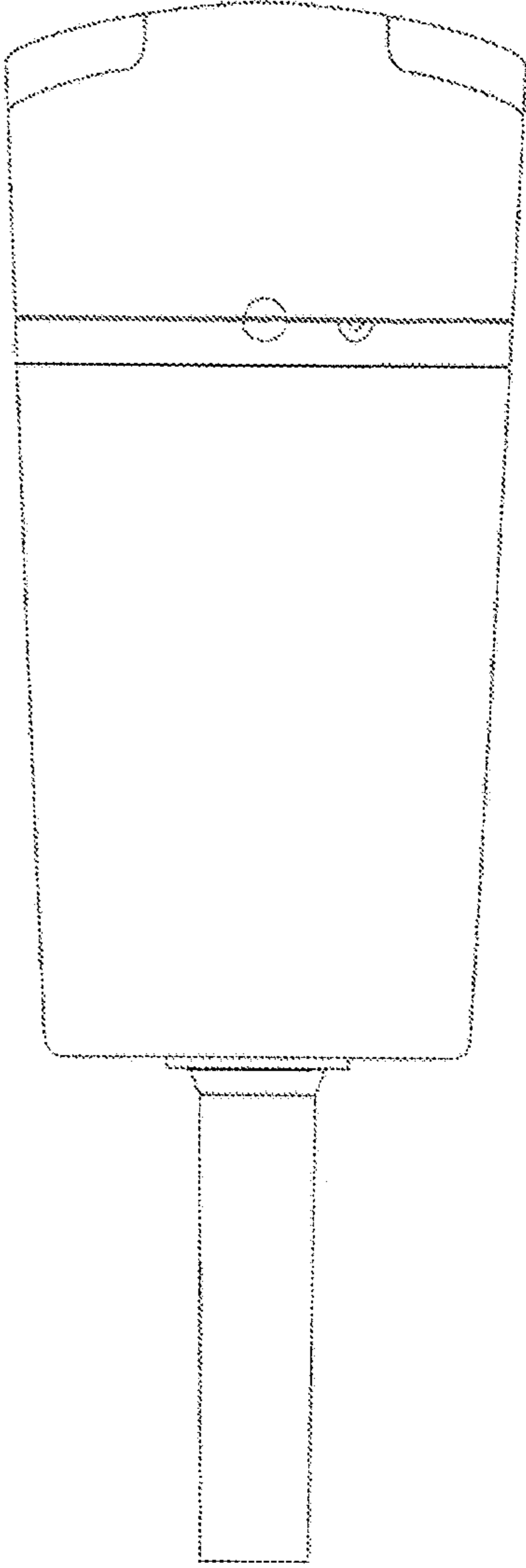


FIG. 6

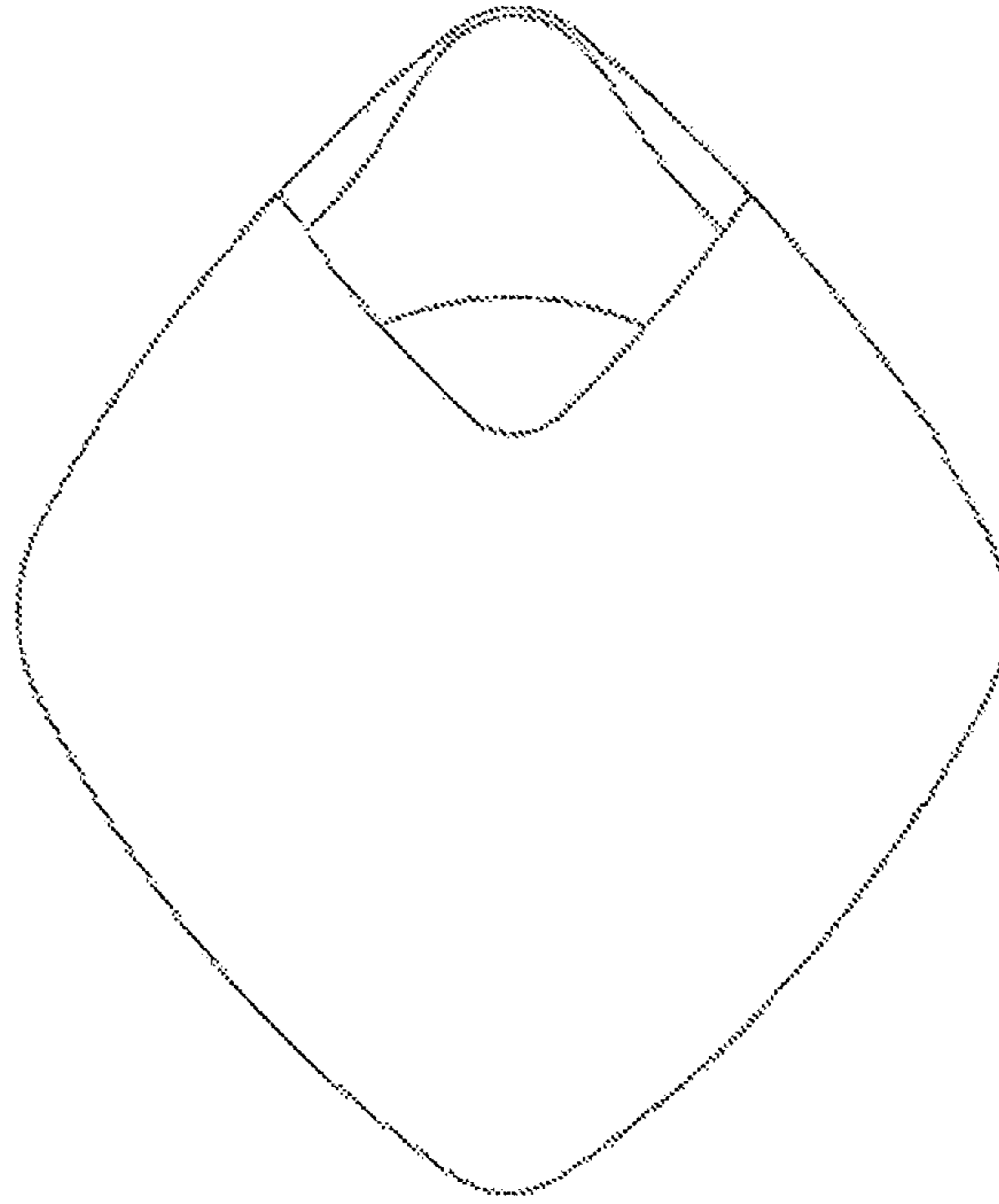


FIG. 7

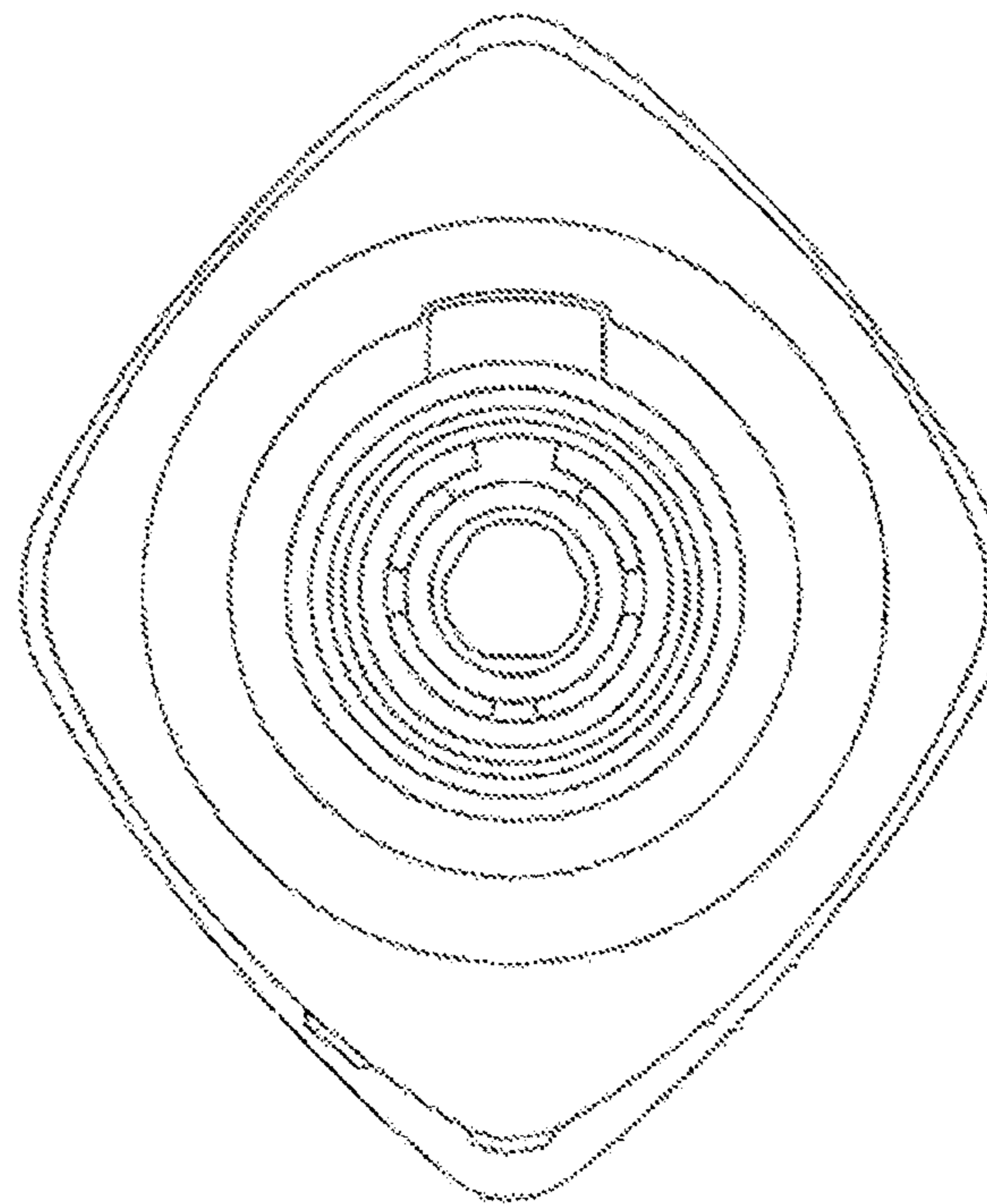


FIG. 8

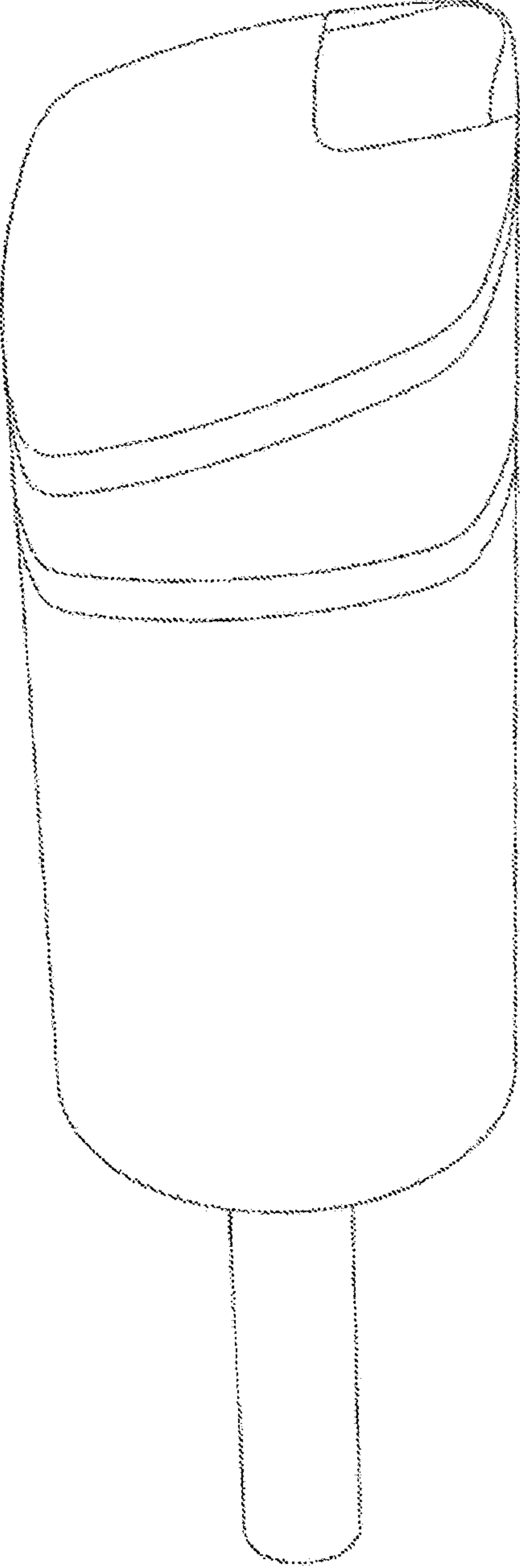


FIG. 9

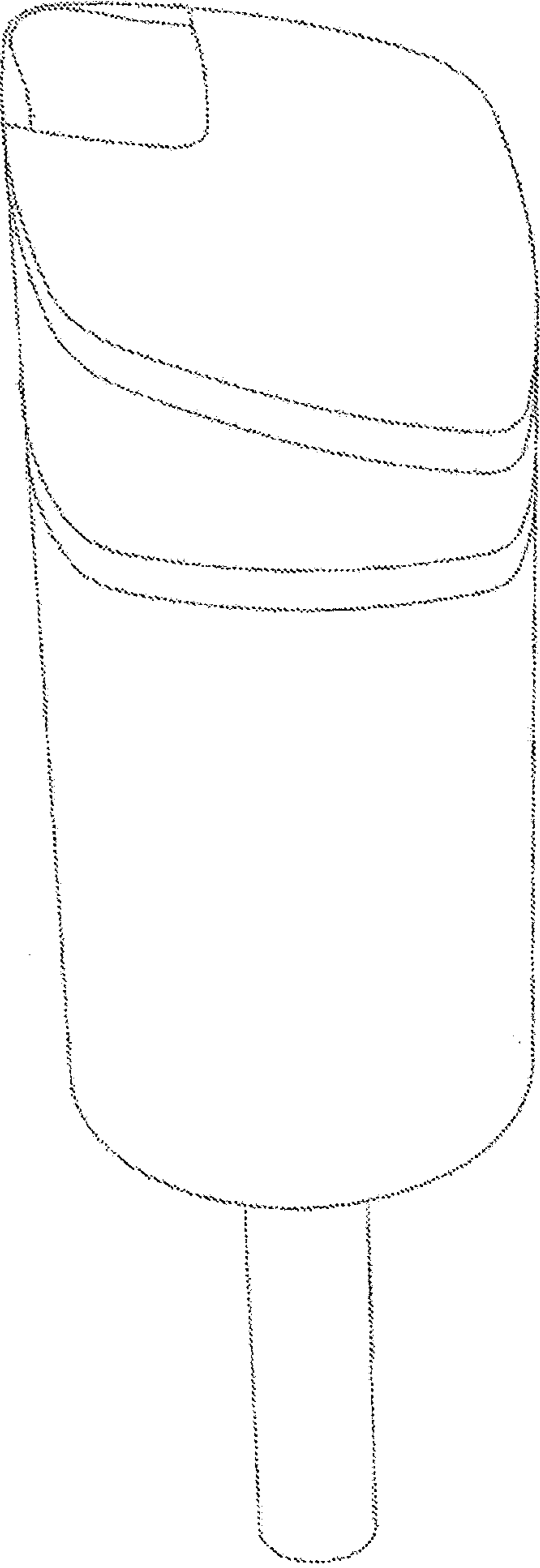


FIG. 10

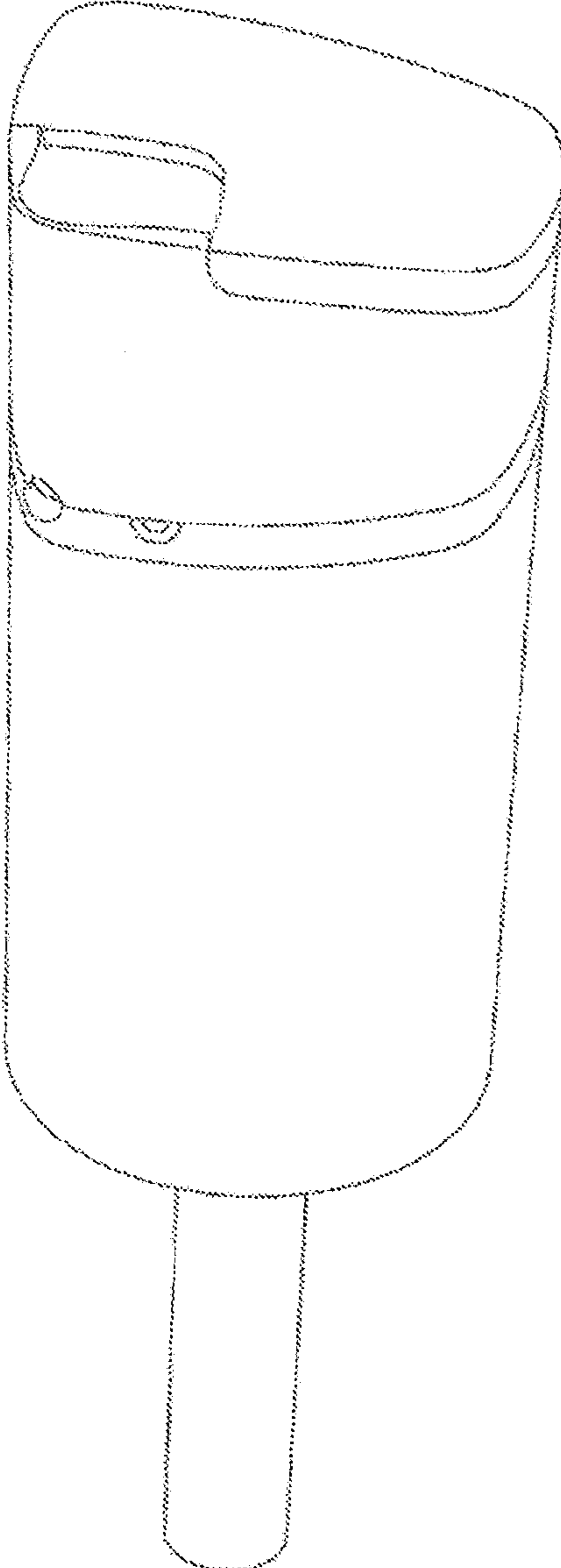


FIG. 11

