



US0D1125439S

(12) **United States Design Patent** (10) **Patent No.:** **US D1,125,439 S**  
**Clum** (45) **Date of Patent:** **\*\* May 5, 2026**

(54) **PEST CONTROL APPARATUS**  
(71) Applicant: **Samantha Clum**, Dallas, TX (US)  
(72) Inventor: **Samantha Clum**, Dallas, TX (US)  
(\*\*) Term: **15 Years**  
(21) Appl. No.: **29/917,056**

(22) Filed: **Nov. 16, 2023**  
(51) **LOC (15) Cl.** ..... **22-06**  
(52) **U.S. Cl.**  
USPC ..... **D22/119**  
(58) **Field of Classification Search**  
USPC ..... D22/119, 199; D30/108, 109; D9/432,  
D9/502, 640; 43/1, 58, 131; 119/417,  
119/482, 751  
CPC ..... A01K 47/00; A01K 47/02; A01K 1/031;  
A01K 1/0245; A01K 69/06; A01K 69/08;  
A01M 25/002; A01M 25/004; A01M  
99/00; A01M 23/08; A01M 23/16  
See application file for complete search history.

(56) **References Cited**

U.S. PATENT DOCUMENTS

4,825,581	A *	5/1989	Dailey	.....	A01M 25/004 43/131
5,136,803	A *	8/1992	Sykes	.....	A01M 25/004 43/131
D425,960	S *	5/2000	O'Hara	.....	D22/119
D899,005	S *	10/2020	Hill	.....	D30/108
D954,895	S *	6/2022	O'Hara	.....	D30/108
D955,662	S *	6/2022	Jakubowski	.....	D30/108
D1,059,169	S *	1/2025	Sollie	.....	D9/432
D1,062,083	S *	2/2025	Xie	.....	D30/108
D1,064,424	S *	2/2025	Hu	.....	D30/108
D1,069,023	S *	4/2025	Wainohu	.....	D22/119
D1,073,195	S *	4/2025	Ou	.....	D30/108
2008/0120895	A1 *	5/2008	Schwartz	.....	A01M 31/002 43/99

2008/0276875	A1 *	11/2008	Zigan	.....	A01K 39/0113 119/57.9
2014/0196667	A1 *	7/2014	Nicholls	.....	A01K 1/03 119/482
2019/0320644	A1 *	10/2019	Gould	.....	A01M 23/00
2020/0022356	A1 *	1/2020	Zhang	.....	A01M 23/16
2021/0345595	A1 *	11/2021	Brown	.....	A01M 23/08
2023/0345926	A1 *	11/2023	Zakaria	.....	A01M 1/2094
2024/0008458	A1 *	1/2024	McIntosh	.....	A01M 1/026

(Continued)

OTHER PUBLICATIONS

Rat Station Box with 1 Key, posted Jun. 21, 2024[online], retrieved May 5, 2025. Retrieved from internet, <https://www.amazon.com/Complete-Solution-Child-Safe-Available-Long-Lasting/dp/B0D7PT22YD> (Year: 2024).\*

(Continued)

*Primary Examiner* — Michelle E. Wilson  
*Assistant Examiner* — Jessie A Kwasney  
(74) *Attorney, Agent, or Firm* — James R. Gourley;  
Carstens, Allen & Gourley, LLP

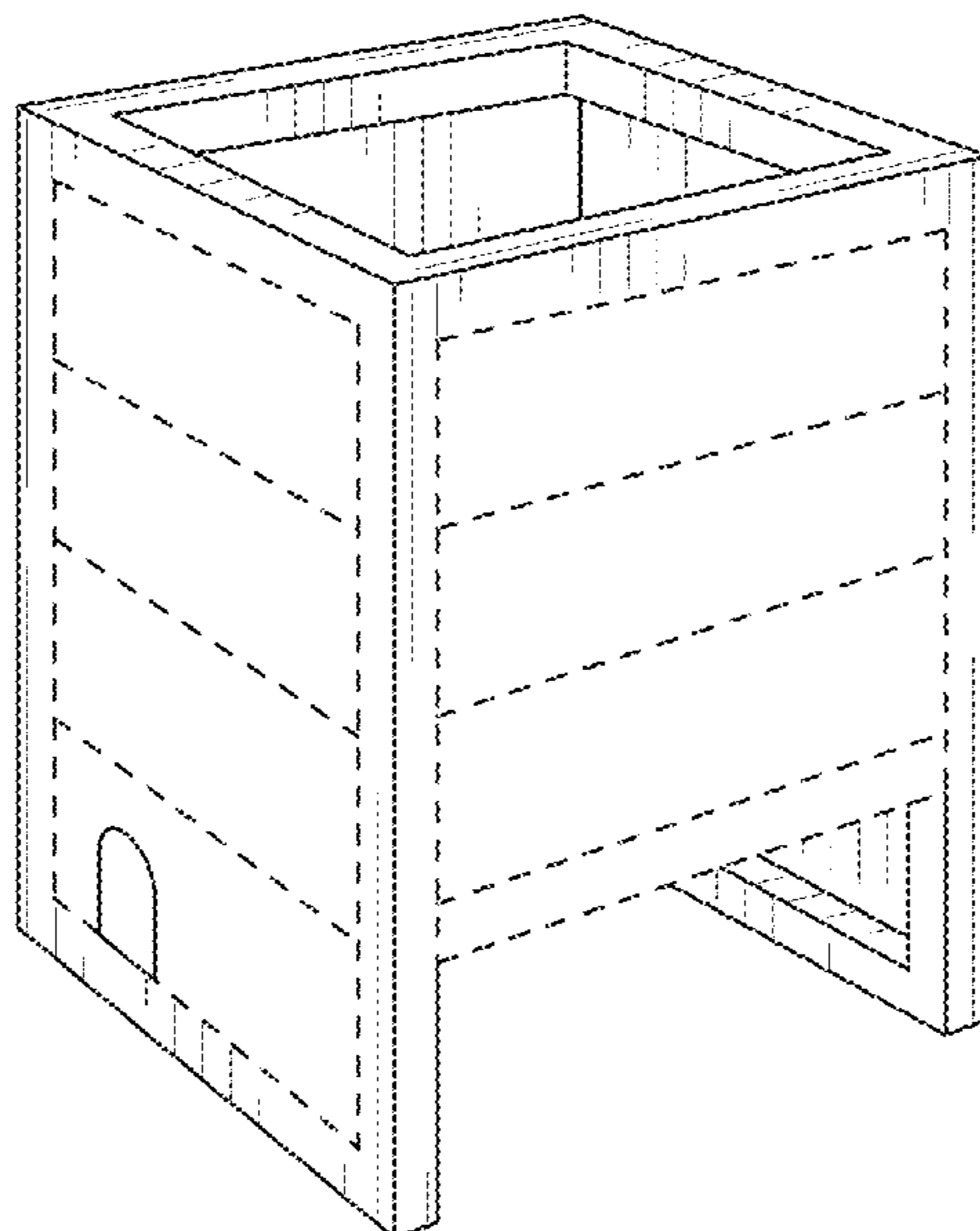
(57) **CLAIM**

The ornamental design for a pest control apparatus, as shown and described.

**DESCRIPTION**

FIG. 1 is a rear perspective view of a pest control apparatus; FIG. 2 is a front elevation view thereof; FIG. 3 is a rear elevation view thereof; FIG. 4 is a right-side elevation view thereof, the left side being a mirror image of the right side; FIG. 5 is a top plan view thereof; and, FIG. 6 is a bottom plan view thereof. The portions of the Figures shown in broken lines in the view are for illustrative purposes only and form no part of the claimed design.

**1 Claim, 3 Drawing Sheets**



(56)

**References Cited**

U.S. PATENT DOCUMENTS

2025/0113814 A1\* 4/2025 Vickery ..... A01M 1/14

OTHER PUBLICATIONS

RATX Bait Station, posted no date posted[online], retrieved May 5, 2025. Retrieved from internet, <https://ecoclearproducts.com/products/ratx-bait-box> (Year: 2025).\*

Evolve Bait Station, posted no date posted[online], retrieved May 5, 2025. Retrieved from internet, <https://senestech.com/products/evolve-bait-station> (Year: 2025).\*

Pest Stopper Premium Rodent Bait Box Trap, posted no date posted[online], retrieved May 5, 2025. Retrieved from internet, <https://www.indooroutdoors.co.uk/products/rodent-bait-box-trap-for-rat-pest-control> (Year: 2025).\*

Wooden Plant Stand Storage Rack, posted no date posted[online], retrieved May 5, 2025. Retrieved from internet, <https://www.amazon.com/EESCZVGBDX-Storage-Vegetables-Planter-Deformed/dp/B0DKSC6RGK> (Year: 2025).\*

\* cited by examiner

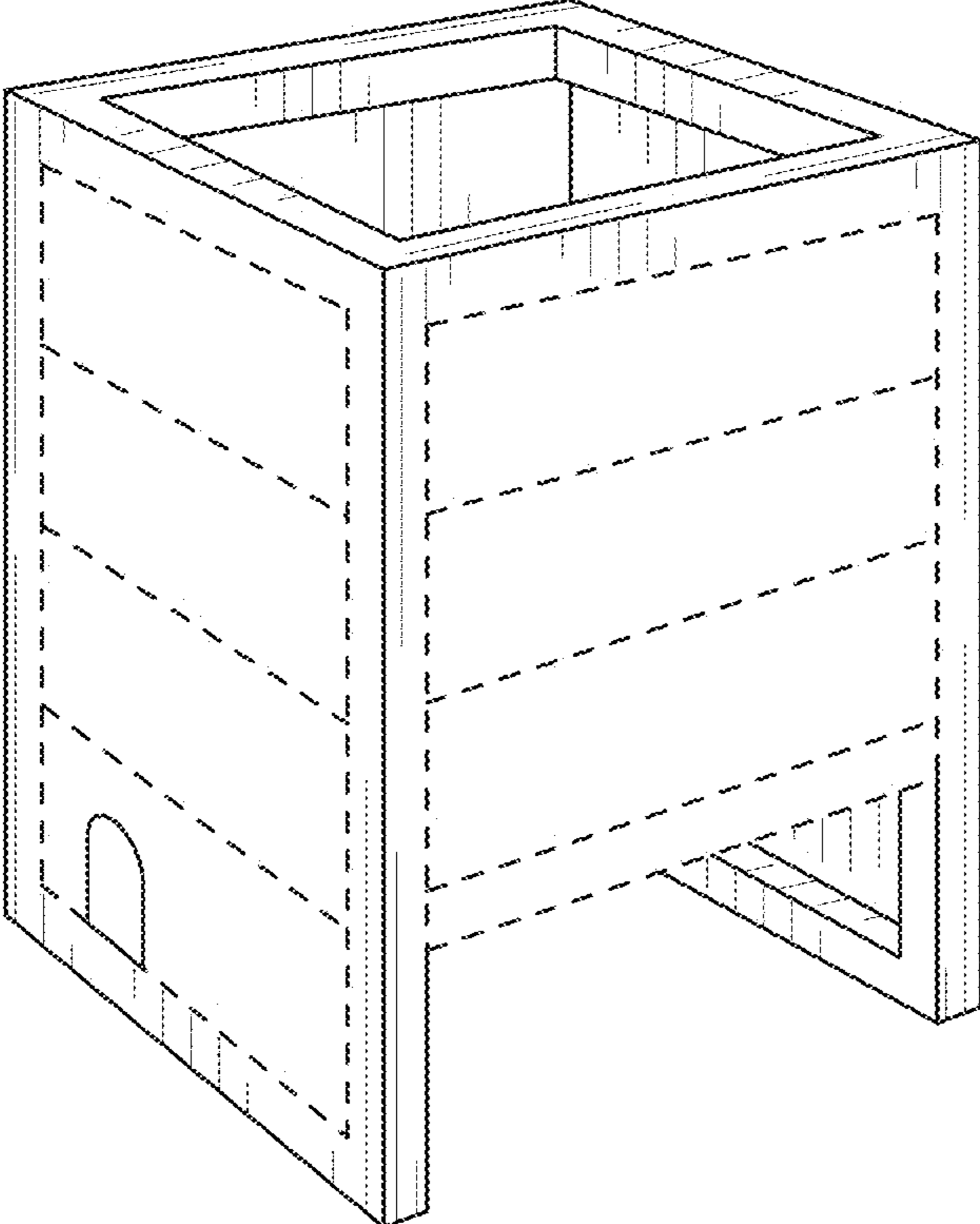


FIG. 1

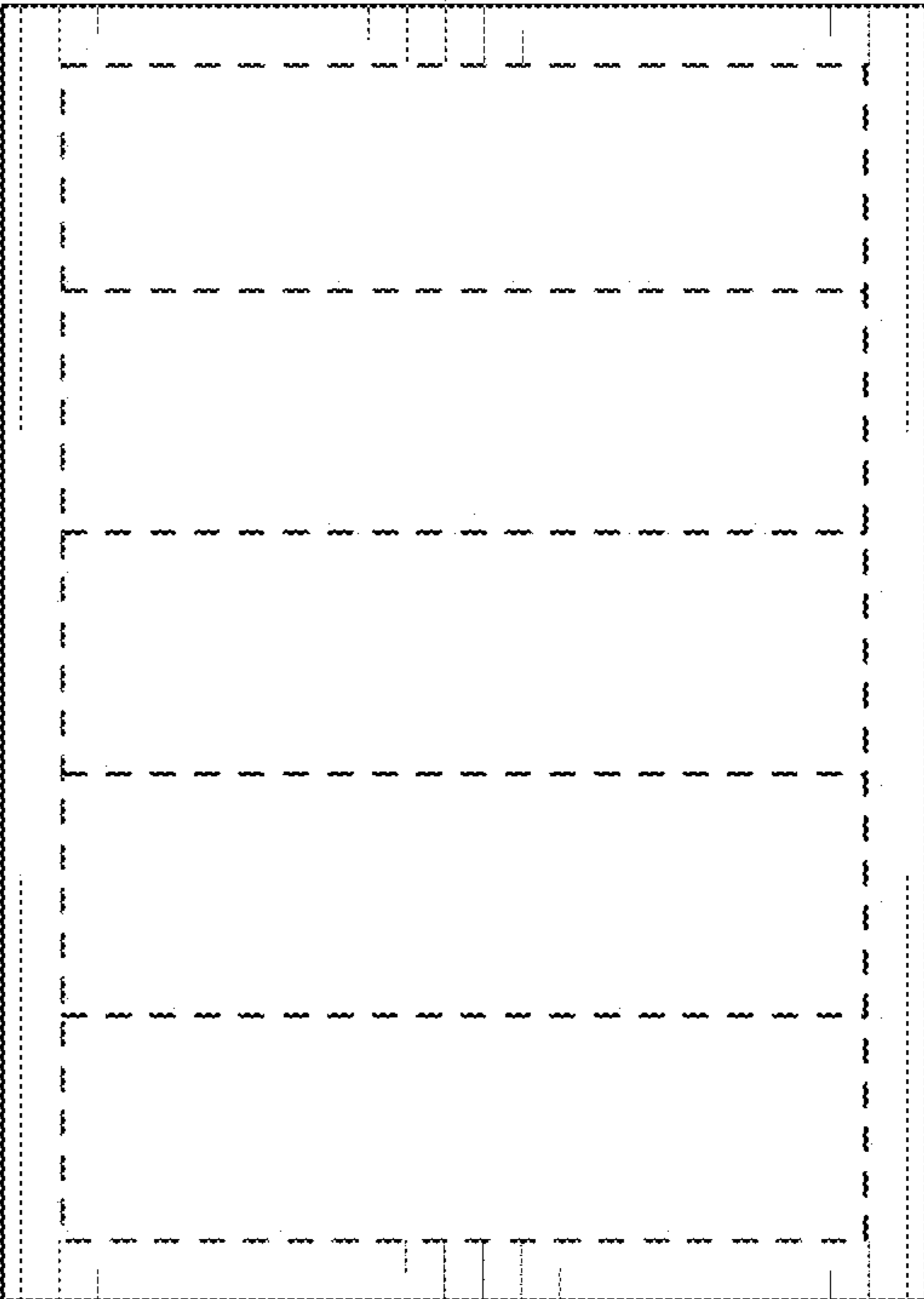
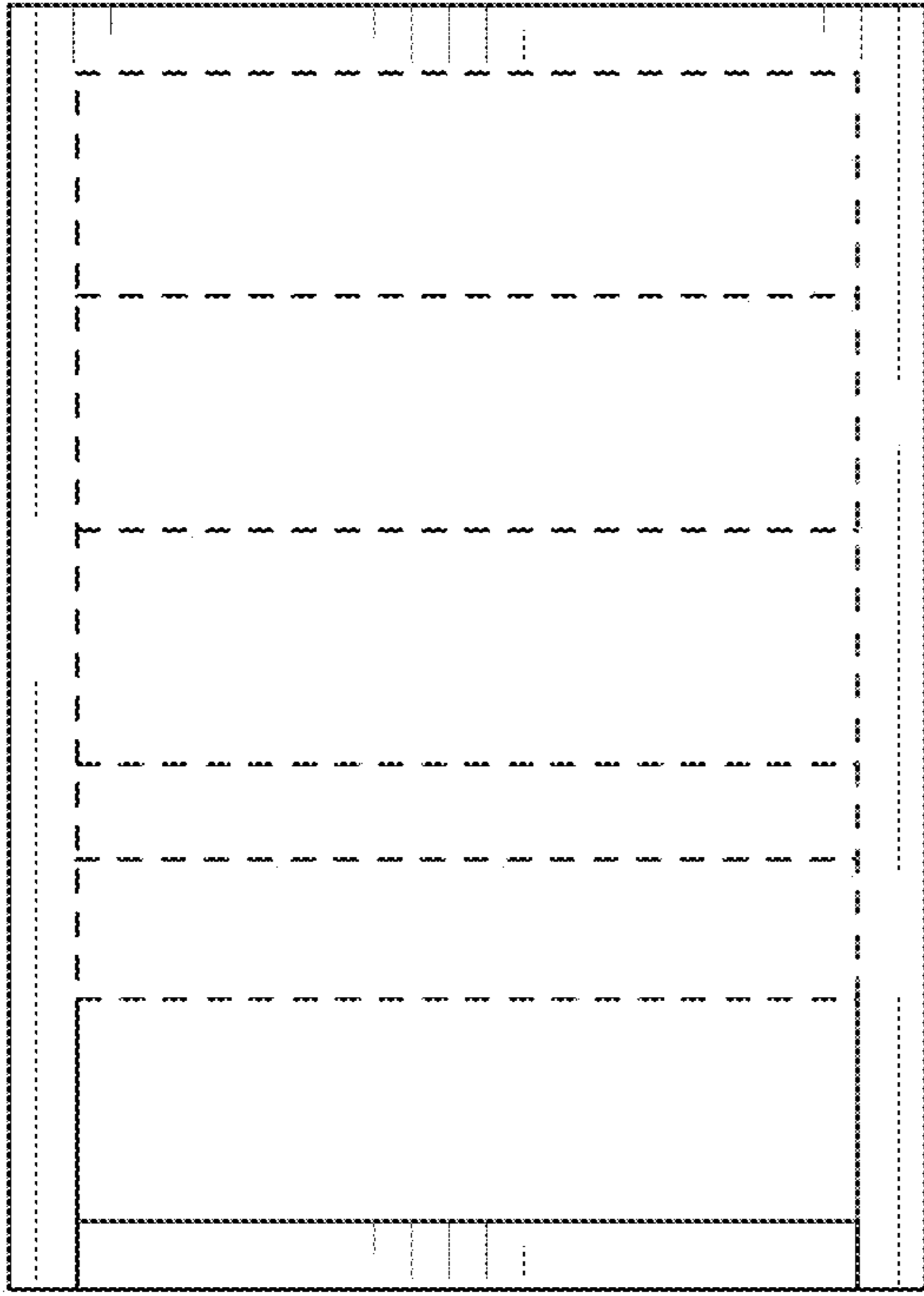
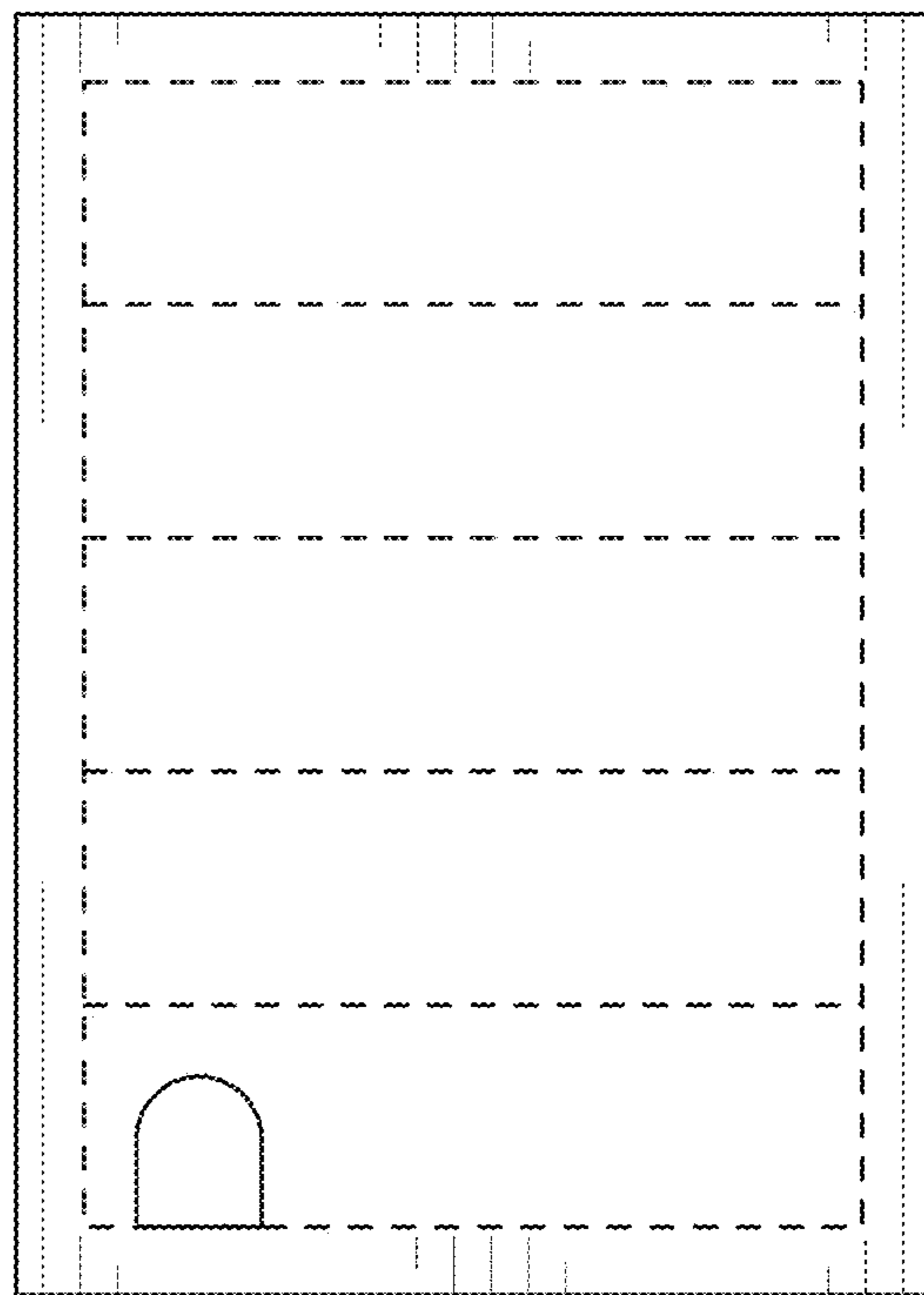


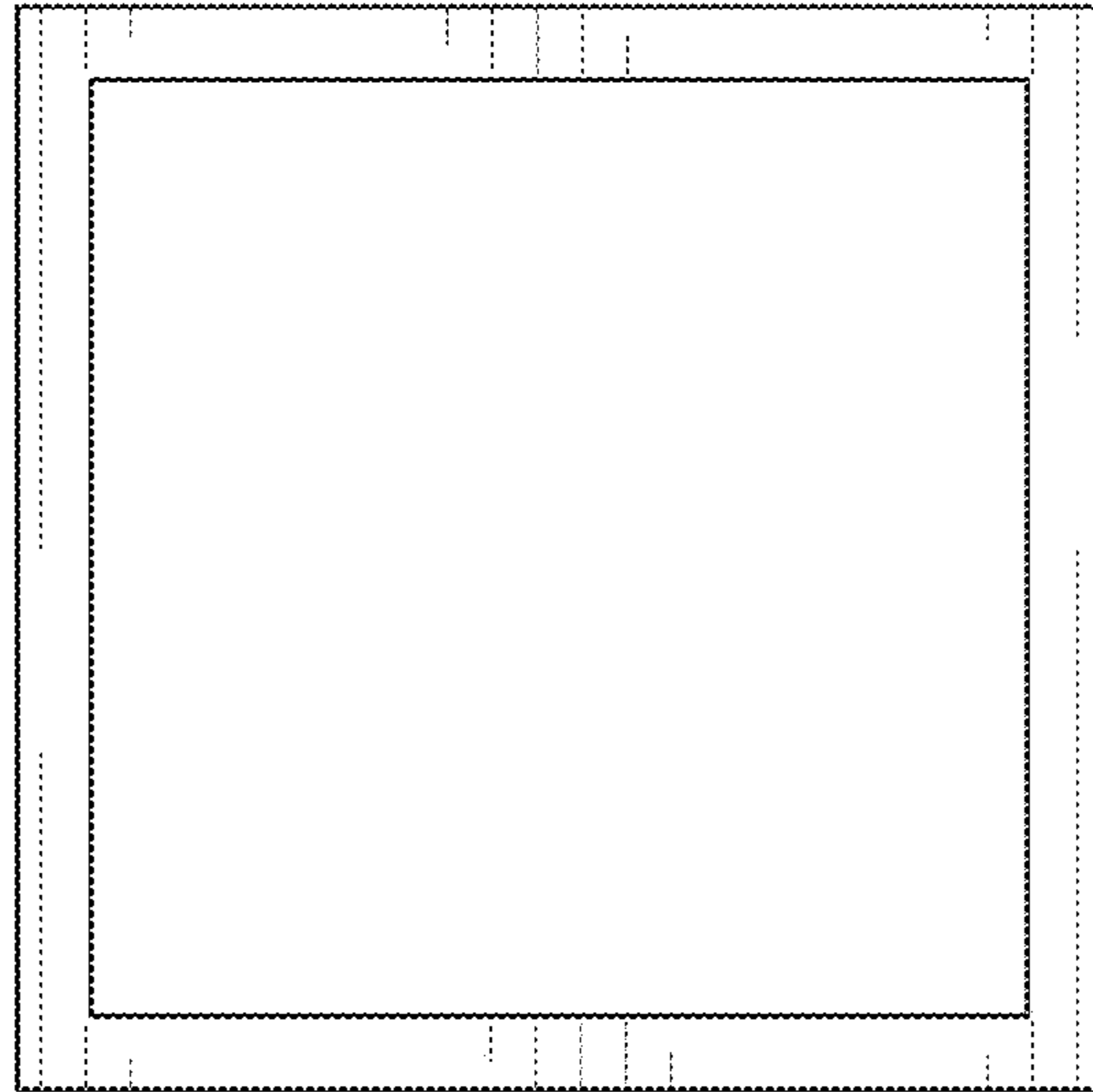
FIG. 2



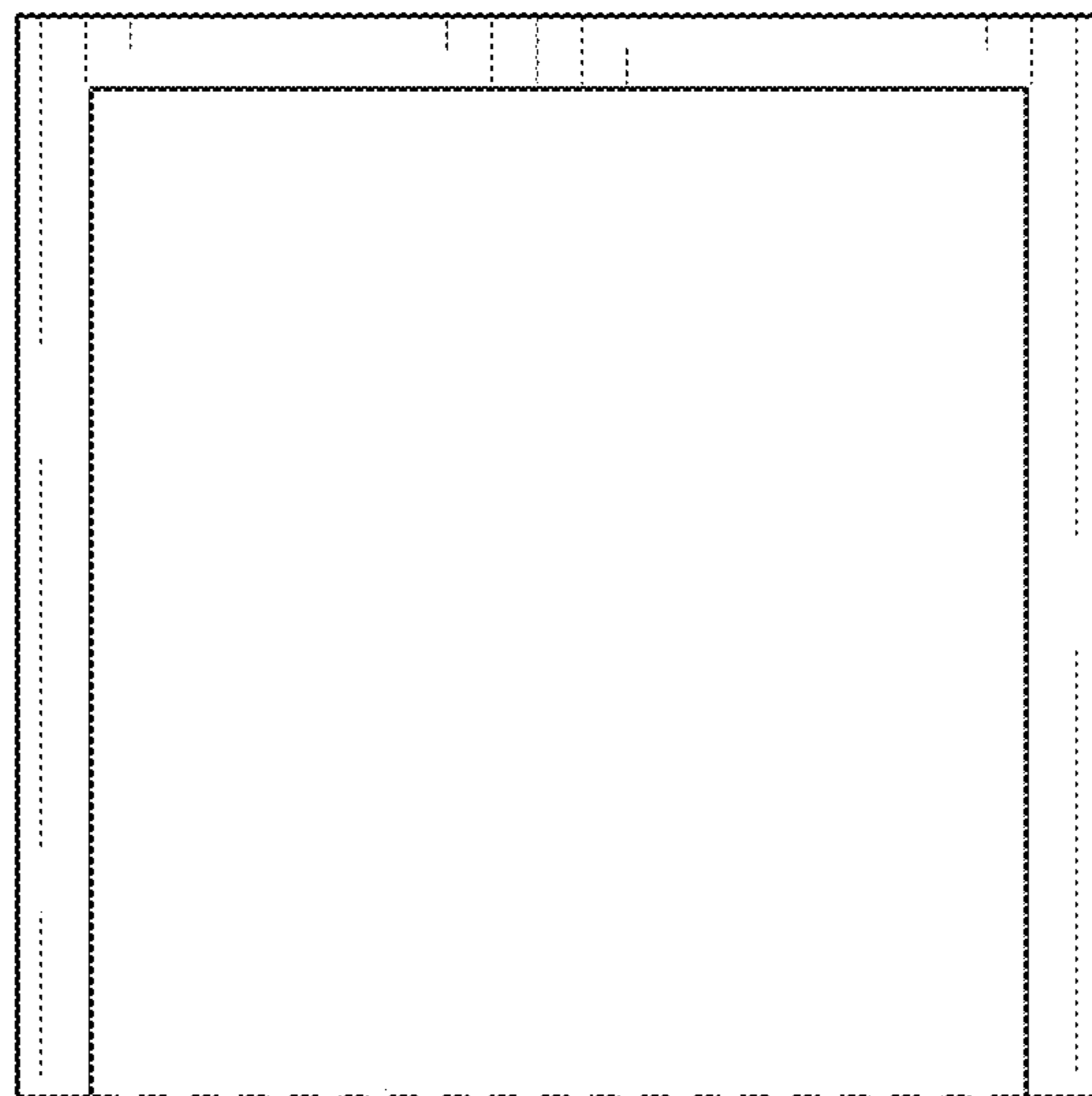
**FIG. 3**



**FIG. 4**



*FIG. 5*



*FIG. 6*