



US0D1125403S

(12) **United States Design Patent**
Christensen et al.

(10) **Patent No.:** **US D1,125,403 S**

(45) **Date of Patent:** **** May 5, 2026**

(54) **MODEL VEHICLE CAGE**

(71) Applicant: **TRAXXAS, L.P.**, McKinney, TX (US)

(72) Inventors: **Casey Christen Jens Christensen**,
Trenton, TX (US); **Jory Sprowl**, Howe,
TX (US); **Otto Karl Allmendinger**,
Rowlett, TX (US); **Adam Cole Ewing**,
McKinney, TX (US); **Kent Poteet**,
Lucas, TX (US)

(73) Assignee: **TRAXXAS, L.P.**, McKinney, TX (US)

(**) Term: **15 Years**

(21) Appl. No.: **29/988,068**

(22) Filed: **Jan. 29, 2025**

(51) **LOC (15) Cl.** **21-01**

(52) **U.S. Cl.**
USPC **D21/561**

(58) **Field of Classification Search**
USPC D21/561, 398, 533, 562, 528, 483;
D12/159, 87

CPC ... F16F 1/403; B60G 11/46; B60G 2206/124;
B60G 7/001; B60G 2200/144; B60G
2300/07; B60G 2300/20; A63H 18/08;
A63H 17/262; A63H 19/18; A63H 29/22
See application file for complete search history.

(56) **References Cited**

U.S. PATENT DOCUMENTS

D503,658 S	4/2005	Lu	
D564,410 S	3/2008	Lepage	
D585,788 S	2/2009	Burns	
D585,789 S *	2/2009	Burns	D12/87
D585,790 S	2/2009	Burns	
D639,207 S *	6/2011	Danisi	D12/82
D651,133 S	12/2011	Liebl	
D810,148 S	2/2018	Loew et al.	
D816,009 S	4/2018	Reynolds et al.	
D857,555 S	8/2019	Ewing et al.	

D893,394 S	8/2020	Roy	
D992,459 S	7/2023	Lopera et al.	
D1,034,317 S *	7/2024	Huang	D12/87
D1,036,314 S *	7/2024	Biyani	D12/87
D1,087,837 S *	8/2025	Lopera	D12/87
12,385,429 B2 *	8/2025	Tittl	B60K 13/04
2013/0175779 A1 *	7/2013	Kvien	B62D 21/183 280/124.15
2017/0174027 A1 *	6/2017	Mailhot	B60R 21/13

(Continued)

OTHER PUBLICATIONS

ARRMA Roll Cage, posted Jul. 21, 2020 [online], [retrieved Mar. 9, 2026]. Retrieved from internet, [https://www.amazon.com/ARRMA-Roll-Cage-Outcast-ARA480036/dp/B085QM55GM/ref=sr_1_40?adgrpid=1332608658696914&dib=eyJ2ljojMSJ9.Dâ\(Year: 2020\).*](https://www.amazon.com/ARRMA-Roll-Cage-Outcast-ARA480036/dp/B085QM55GM/ref=sr_1_40?adgrpid=1332608658696914&dib=eyJ2ljojMSJ9.Dâ(Year: 2020).*)

(Continued)

Primary Examiner — Erich G Herbermann

Assistant Examiner — Alisha K Miles

(74) *Attorney, Agent, or Firm* — Daryl R. Wright; Greg Carr

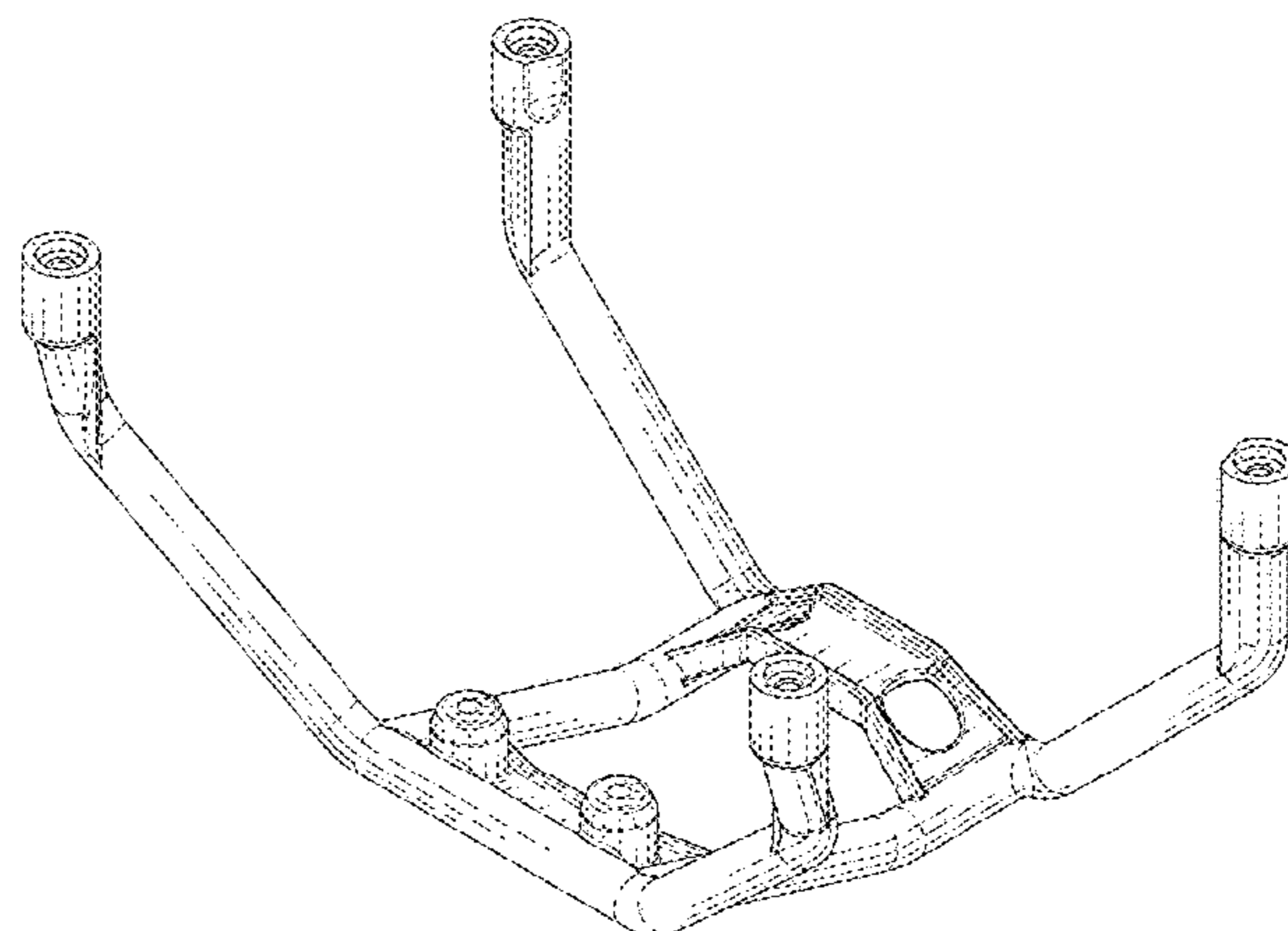
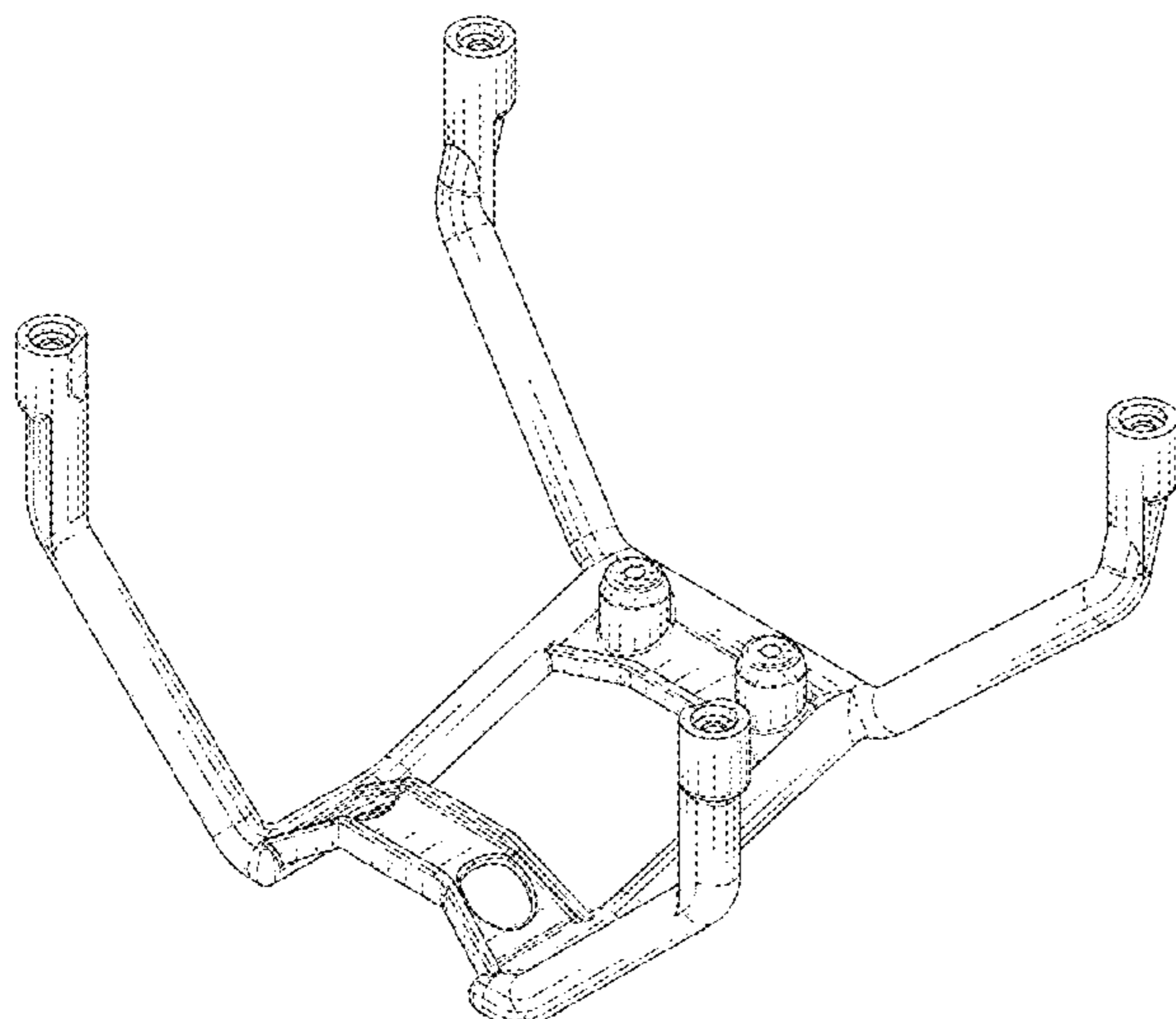
(57) **CLAIM**

The ornamental design for a model vehicle cage as shown and described.

DESCRIPTION

FIG. 1 is an upper, left, front perspective view of a model vehicle cage showing our new design; FIG. 2 is an upper, right, rear perspective view thereof; FIG. 3 is a lower, right, front perspective view thereof; FIG. 4 is a lower, left, rear perspective view thereof; FIG. 5 is a front elevation view thereof; FIG. 6 is a rear elevation view thereof; FIG. 7 is an upper plan view thereof; FIG. 8 is a lower plan view thereof; FIG. 9 is a right-side elevation view thereof; and, FIG. 10 is a left-side elevation view thereof.

1 Claim, 7 Drawing Sheets



(56)

References Cited

U.S. PATENT DOCUMENTS

2018/0065465 A1* 3/2018 Ward B62D 5/04
2019/0276085 A1* 9/2019 Taracko B62D 25/04
2022/0055434 A1* 2/2022 Hansen B60G 7/001
2022/0234663 A1* 7/2022 Gordon B60G 3/20
2023/0364957 A1* 11/2023 Heon B62D 21/183
2024/0253410 A1* 8/2024 Robinson B60G 7/04
2024/0359551 A1* 10/2024 Klaphake B60K 13/04

OTHER PUBLICATIONS

Losi Roll Cage Roof Front Rock Rey, Amazon Website, Earliest Available Date: Oct. 27, 2017 [Website Visited Dec. 18, 2025] Available on the Internet, URL <https://www.amazon.com/dp/B06X9MCF6R/> (Year: 2017).

Traxxas Slash Modified Driver Body Cage, Traxxas Website, No Available Date [Website Visited Dec. 18, 2025] Available on the Internet, URL <https://traxxas.com/10414-driver-body-cageretainers> (Year: 2025).

* cited by examiner

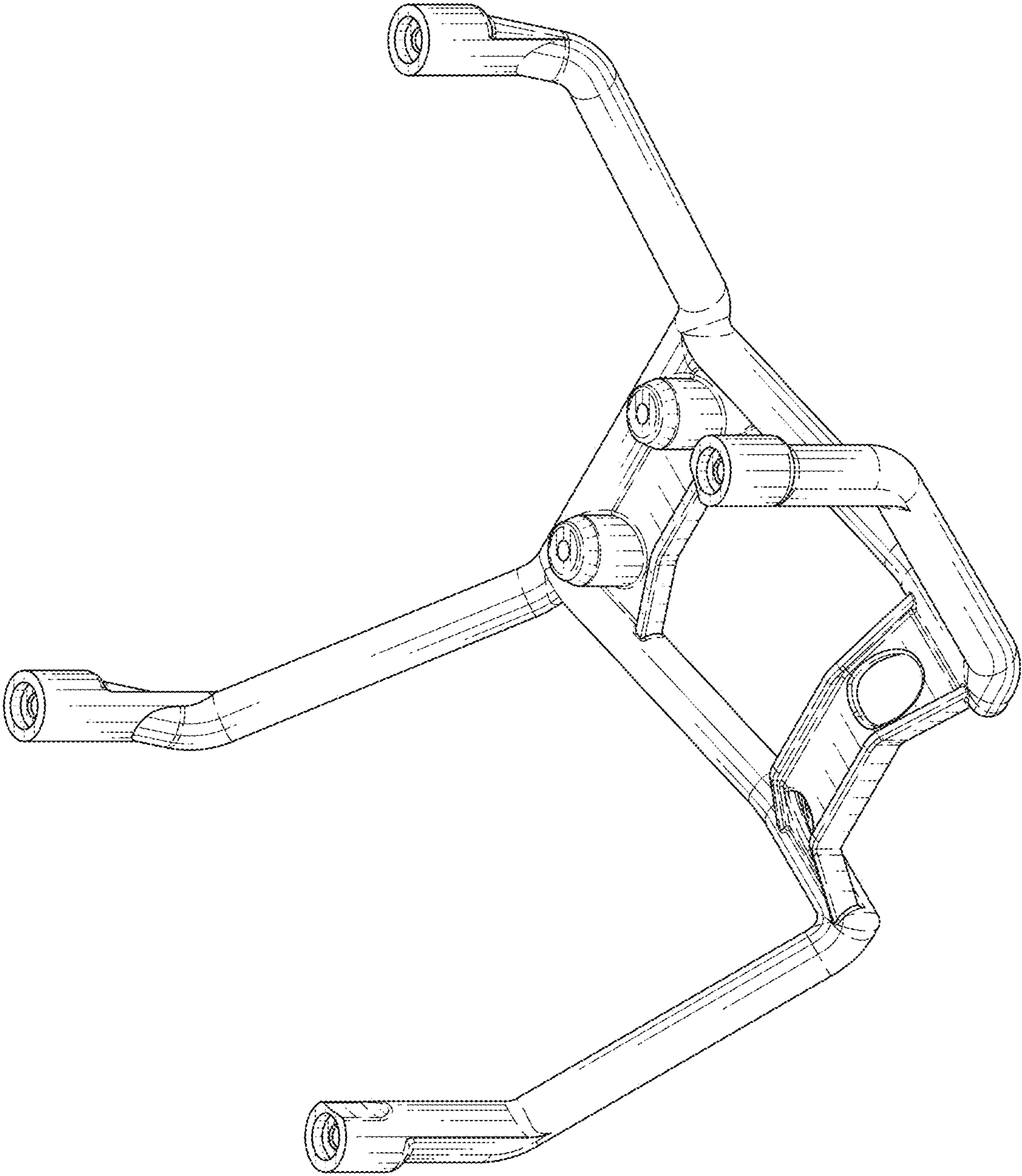


FIG. 1

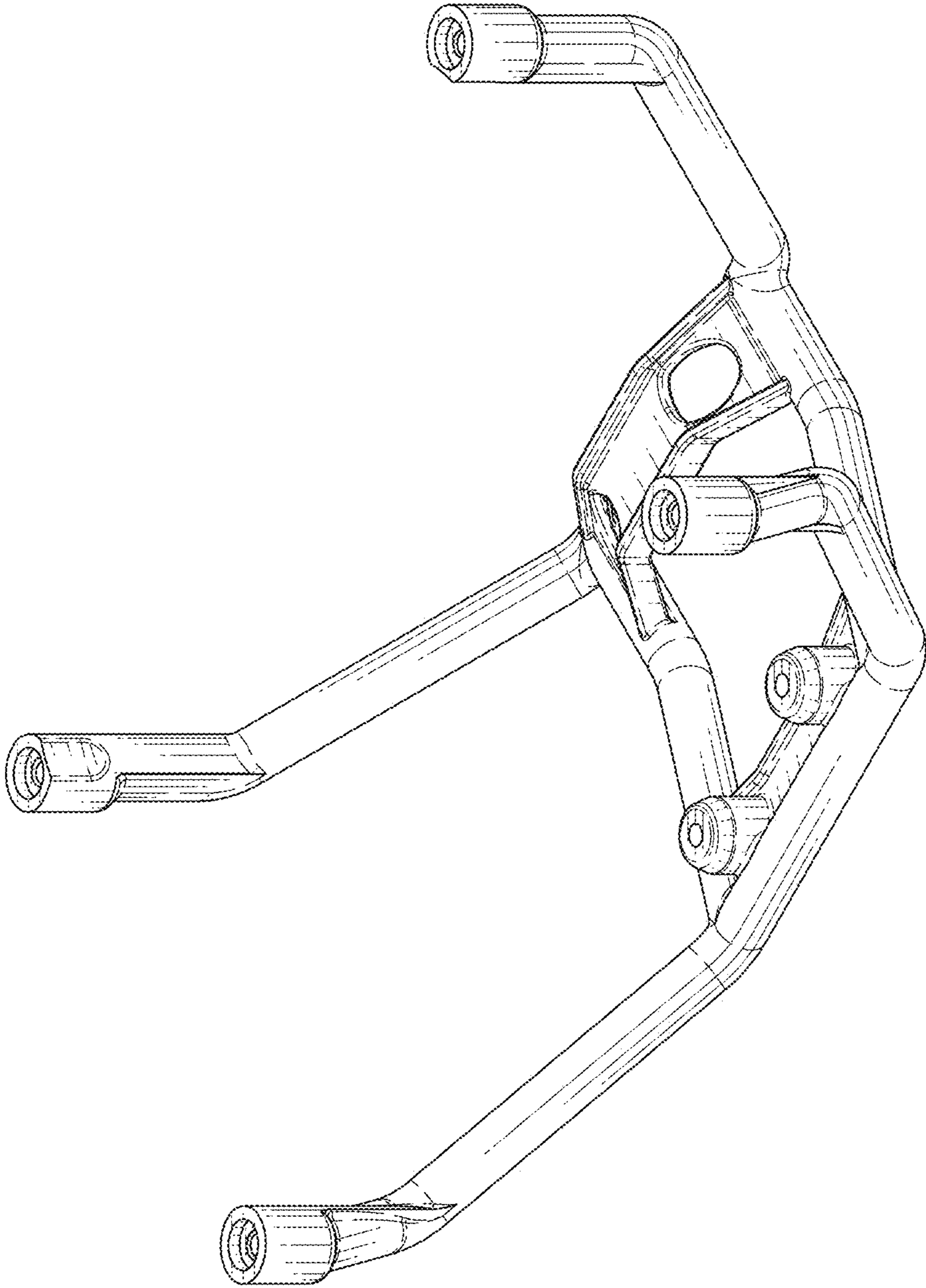


FIG. 2

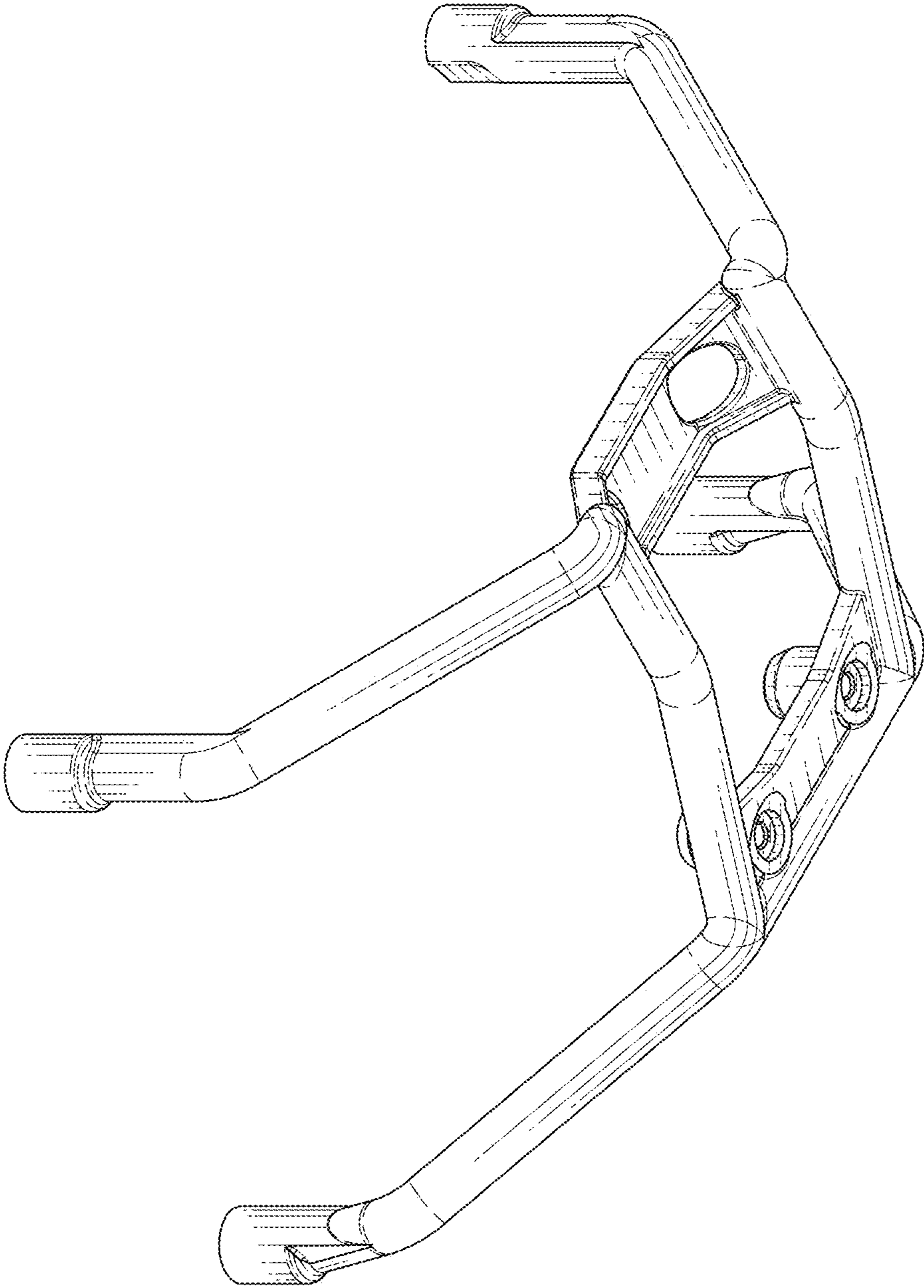


FIG. 3

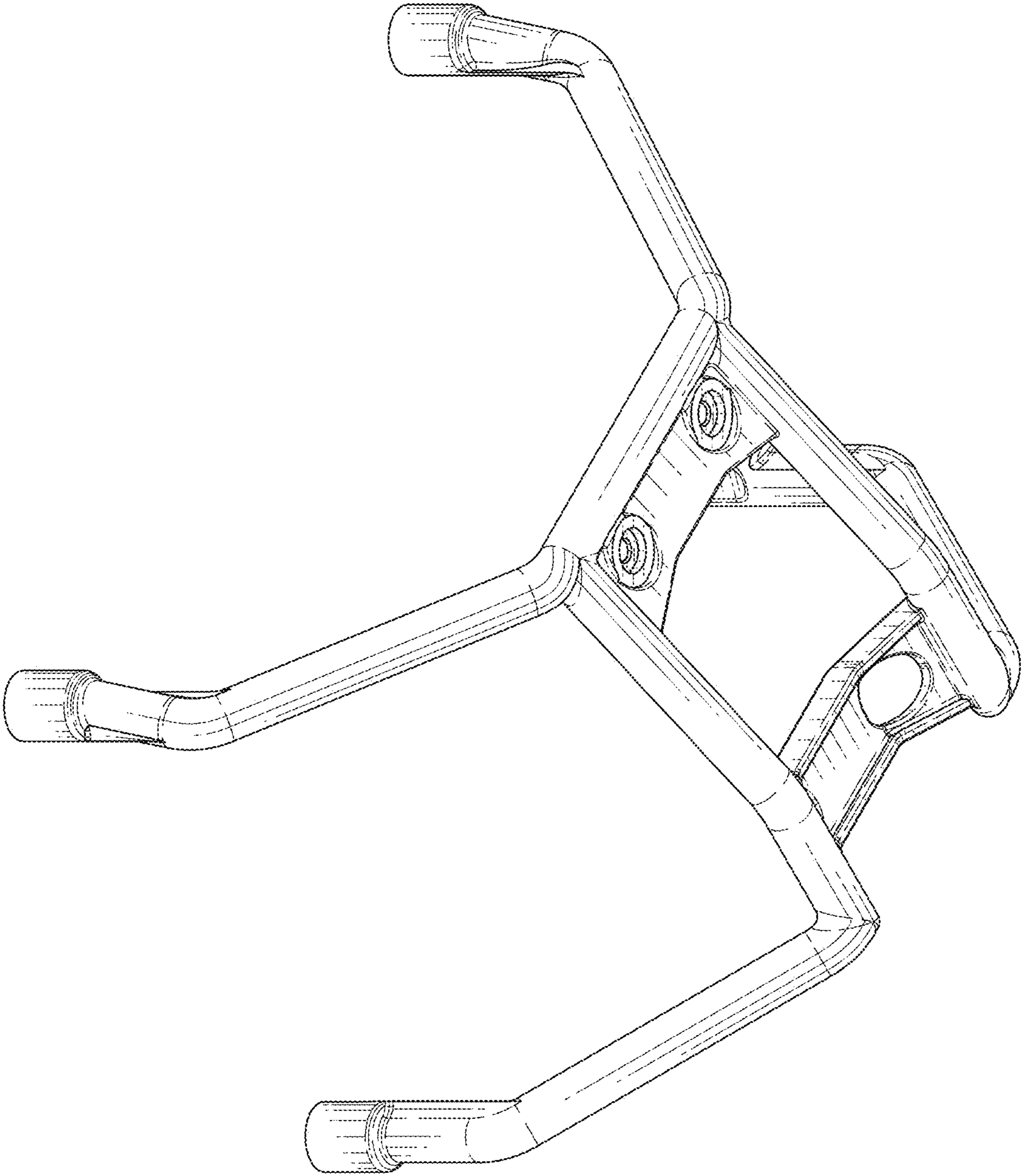


FIG. 4

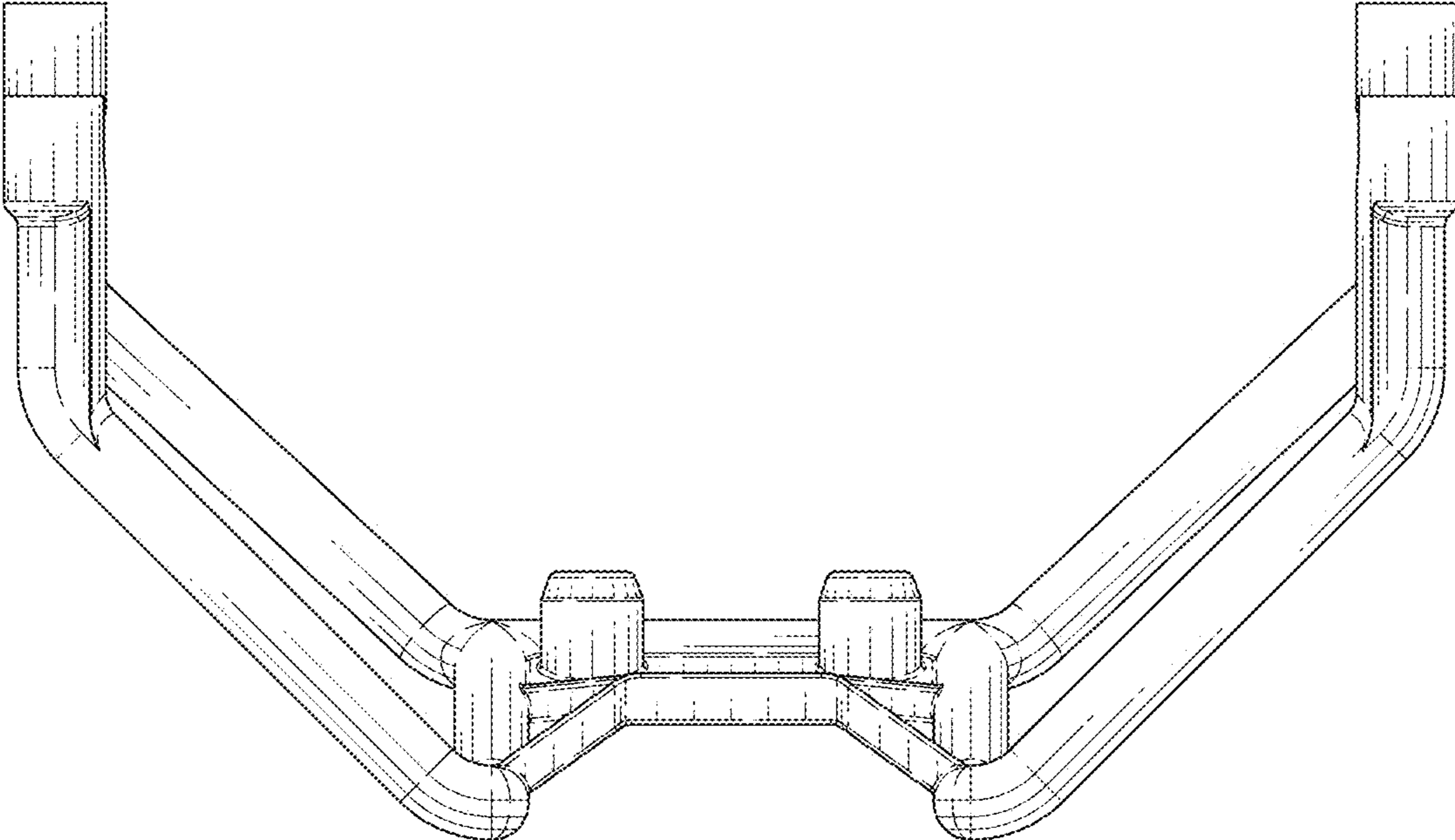


FIG. 5

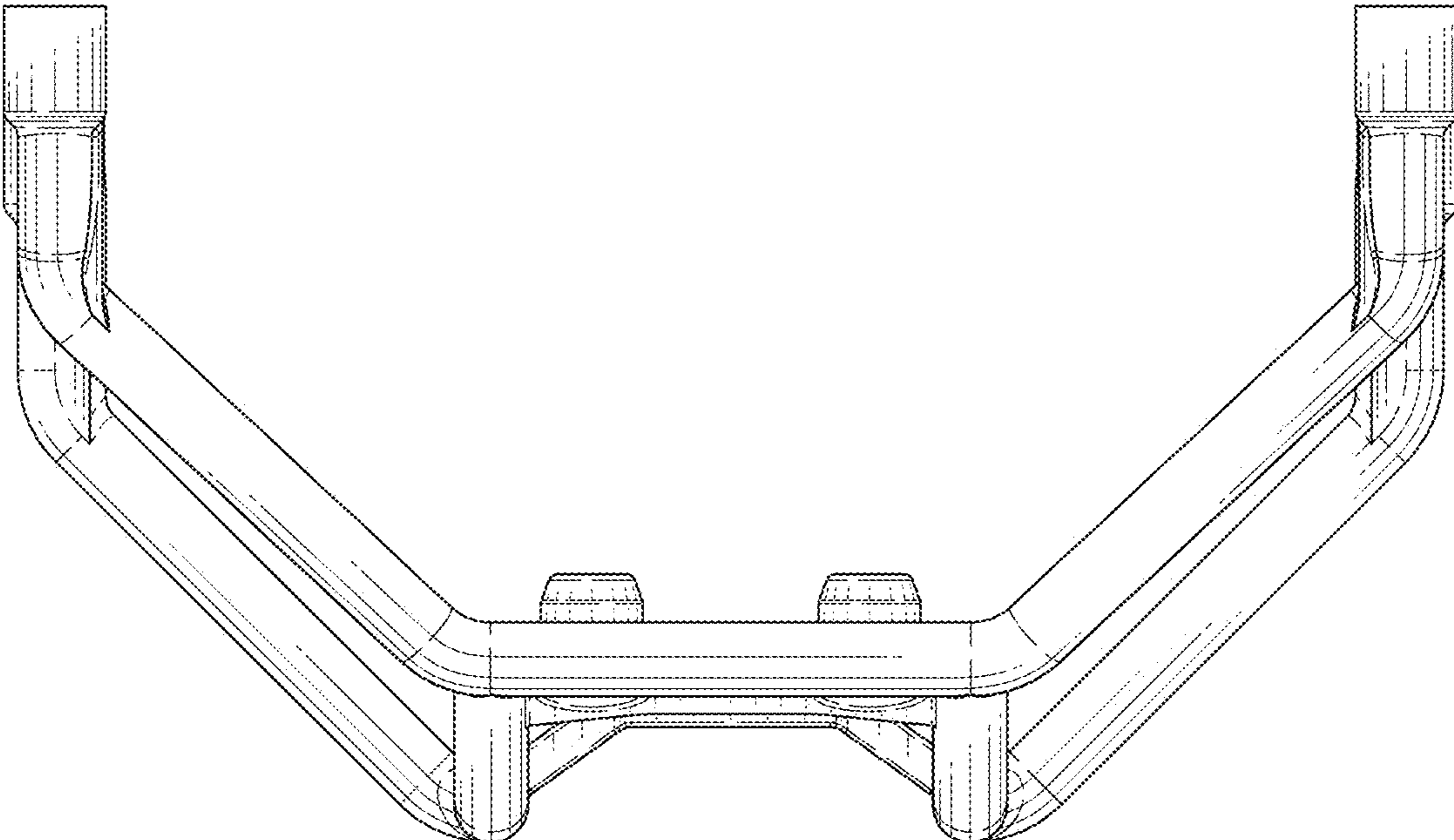


FIG. 6

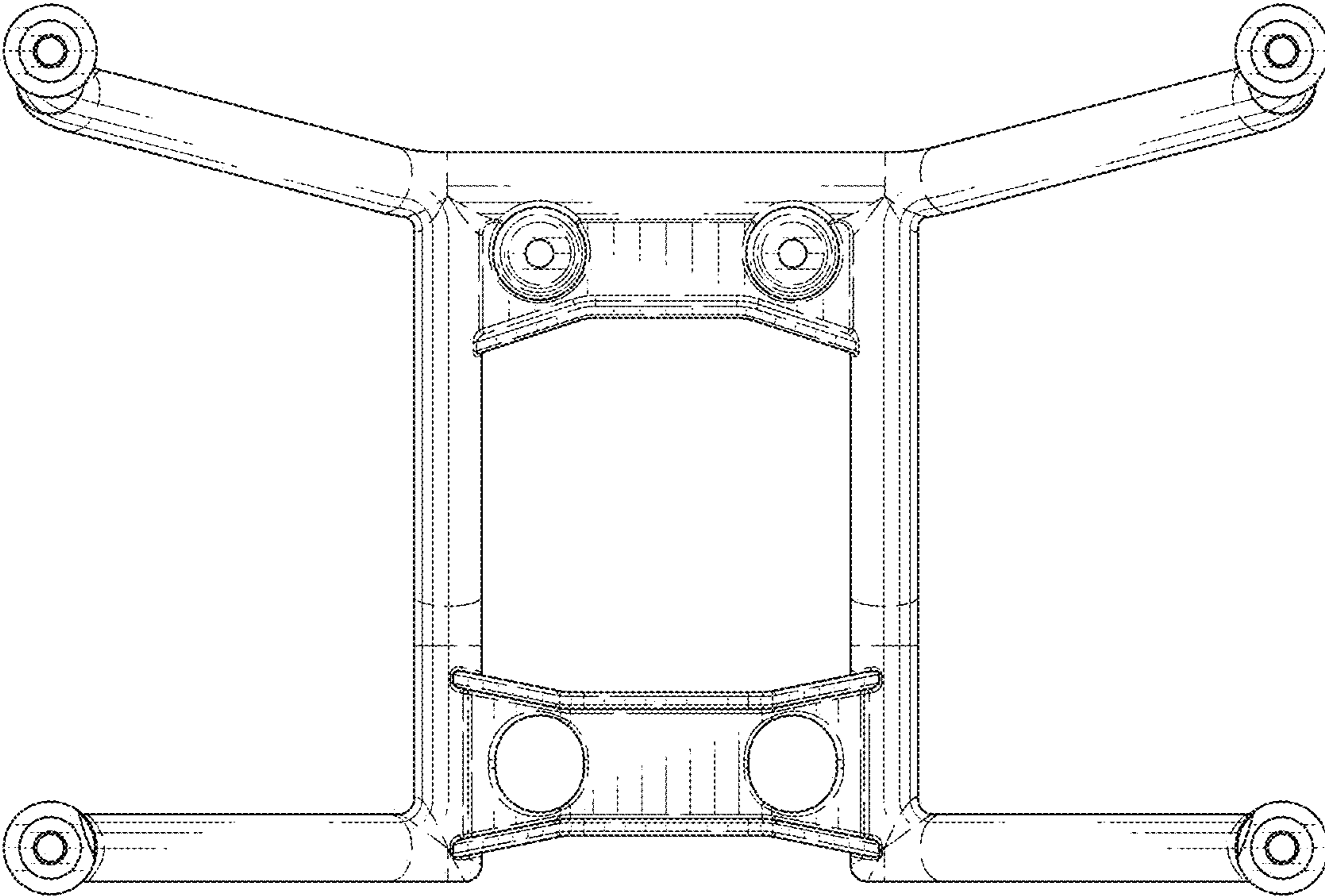


FIG. 7

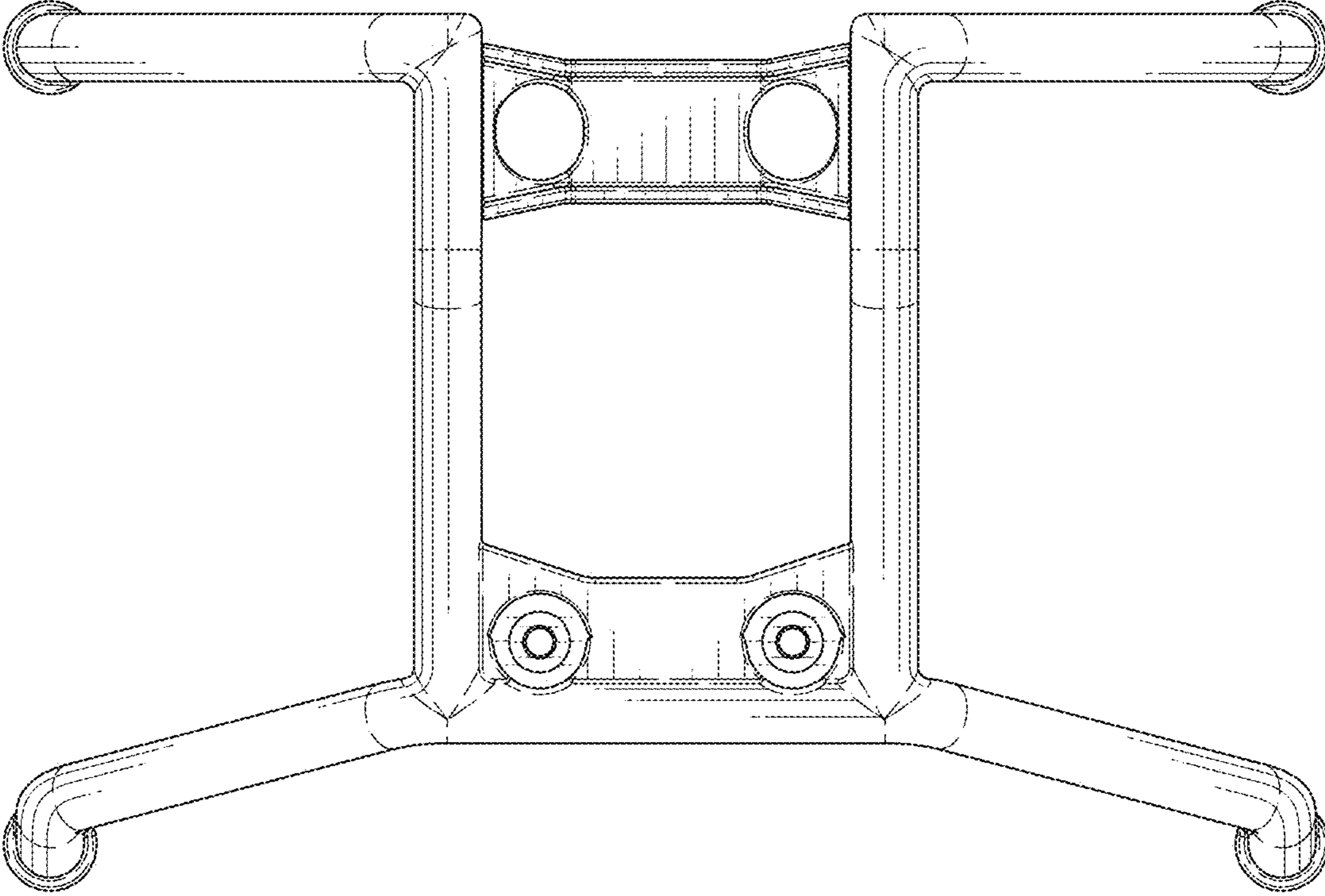


FIG. 8

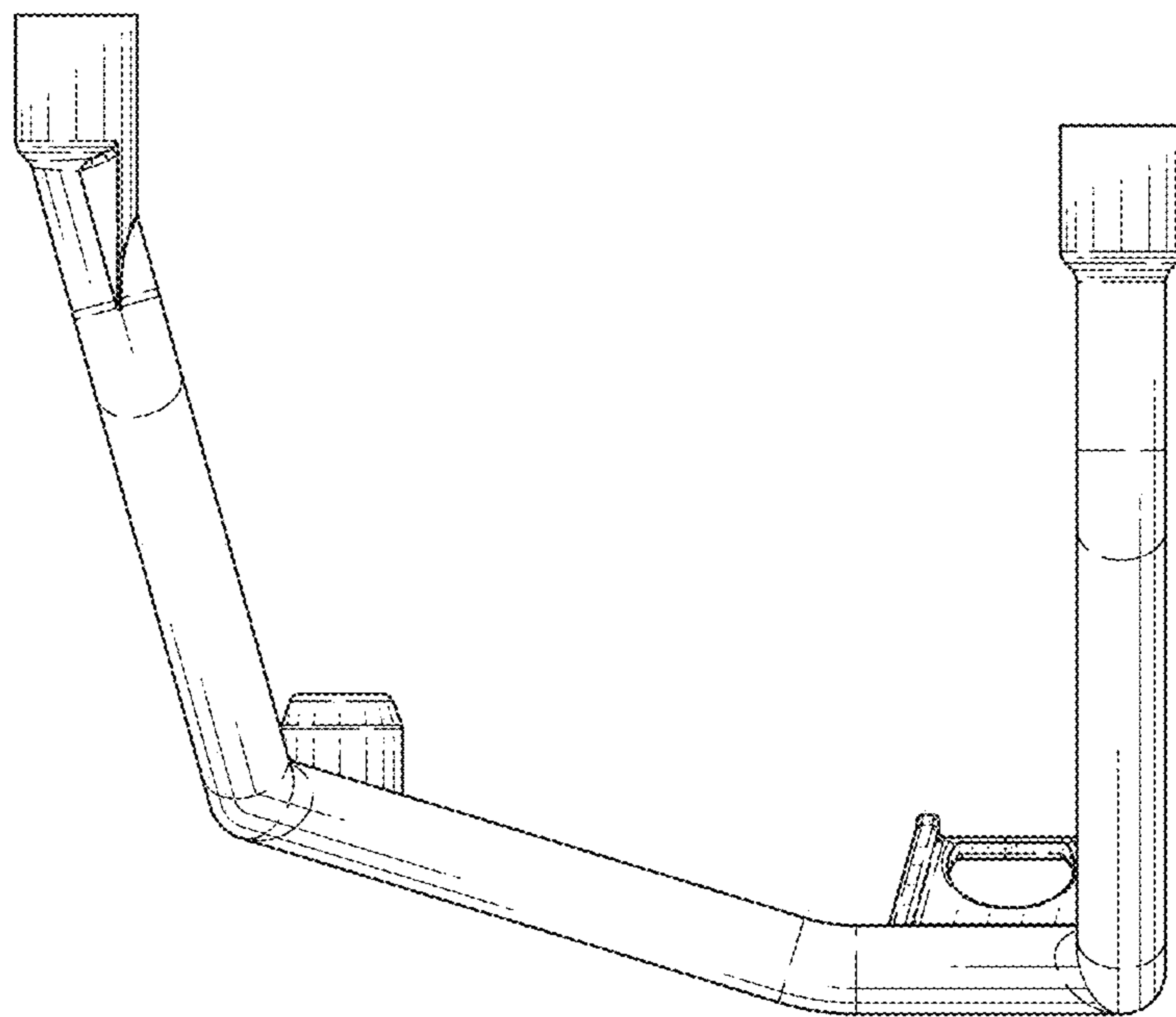


FIG. 9

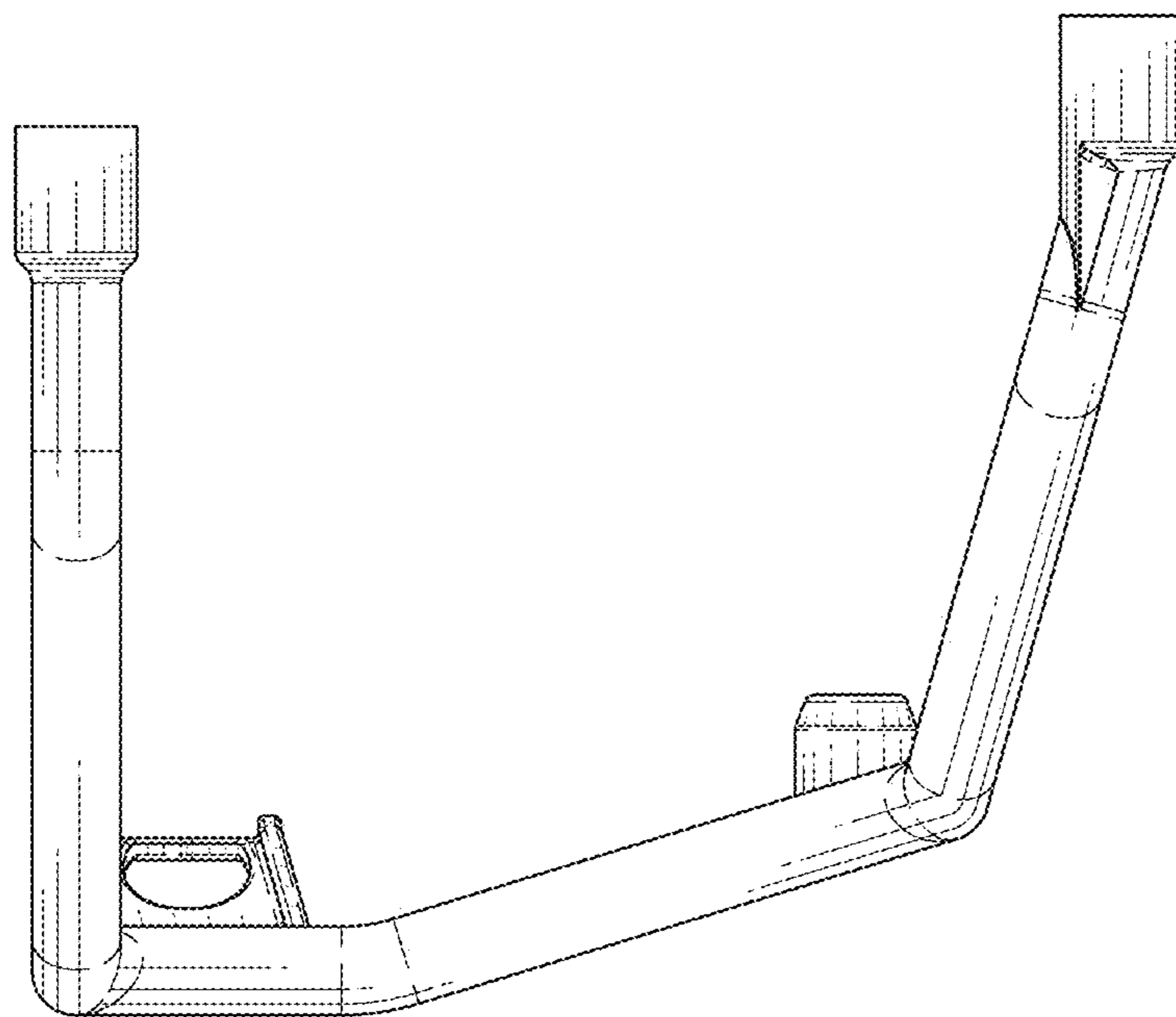


FIG. 10