



US0D1125401S

(12) **United States Design Patent** (10) **Patent No.:** **US D1,125,401 S**  
**Christensen et al.** (45) **Date of Patent:** **\*\* May 5, 2026**

(54) **MODEL VEHICLE SHOCK RESERVOIR MOUNT**

(71) Applicant: **TRAXXAS, L.P.**, McKinney, TX (US)

(72) Inventors: **Casey Christen Jens Christensen**, Trenton, TX (US); **Skylar Hagler**, Anna, TX (US); **Otto Karl Allmendinger**, Rowlett, TX (US); **Adam Cole Ewing**, McKinney, TX (US); **Kent Poteet**, Lucas, TX (US)

(73) Assignee: **TRAXXAS, L.P.**, McKinney, TX (US)

(\*\*) Term: **15 Years**

(21) Appl. No.: **29/988,052**

(22) Filed: **Jan. 29, 2025**

(51) **LOC (15) Cl.** ..... **21-01**

(52) **U.S. Cl.**  
USPC ..... **D21/561**

(58) **Field of Classification Search**  
USPC ..... D21/561, 398, 533, 562, 528; D12/159  
CPC ..... F16F 1/403; B60G 11/46; B60G 2300/07;  
B60G 2300/20; B60G 7/001; B60G 2200/144; A63H 17/262; A63H 18/08;  
A63H 19/18; A63H 29/22  
See application file for complete search history.

(56) **References Cited**

**U.S. PATENT DOCUMENTS**

D588,912 S *	3/2009	Christensen	.....	D9/434
D589,793 S *	4/2009	Christensen	.....	D9/434
D598,746 S *	8/2009	Caldwell	.....	D9/443
D598,747 S *	8/2009	Caldwell	.....	D9/443
D746,679 S *	1/2016	Jasso Gomez	.....	D9/443
D846,388 S *	4/2019	Arianpour	.....	D9/434
D1,019,382 S *	3/2024	Mellen	.....	D9/531
2007/0176386 A1 *	8/2007	Schlangen	.....	B60G 3/20 280/124.135
2019/0276085 A1 *	9/2019	Taracko	.....	B62D 25/04

**OTHER PUBLICATIONS**

Aluminum Shock Reservoirs, posted Apr. 1, 2025 [online], [retrieved Mar. 5, 2026]. Retrieved from internet, <https://www.dollarhobbyz.com/products/aluminum-shock-reservoirs-2-front-2-rear-gray> (Year: 2025).\*

Rear Shock Reservoir, posted Apr. 1, 2025 [online], [retrieved Mar. 6, 2026]. Retrieved from internet, <https://www.dollarhobbyz.com/products/rear-shock-reservoir-gray> (Year: 2025).\*

\* cited by examiner

*Primary Examiner* — Erich G Herbermann

*Assistant Examiner* — Alisha K Miles

(74) *Attorney, Agent, or Firm* — Daryl R. Wright; Greg Carr

(57) **CLAIM**

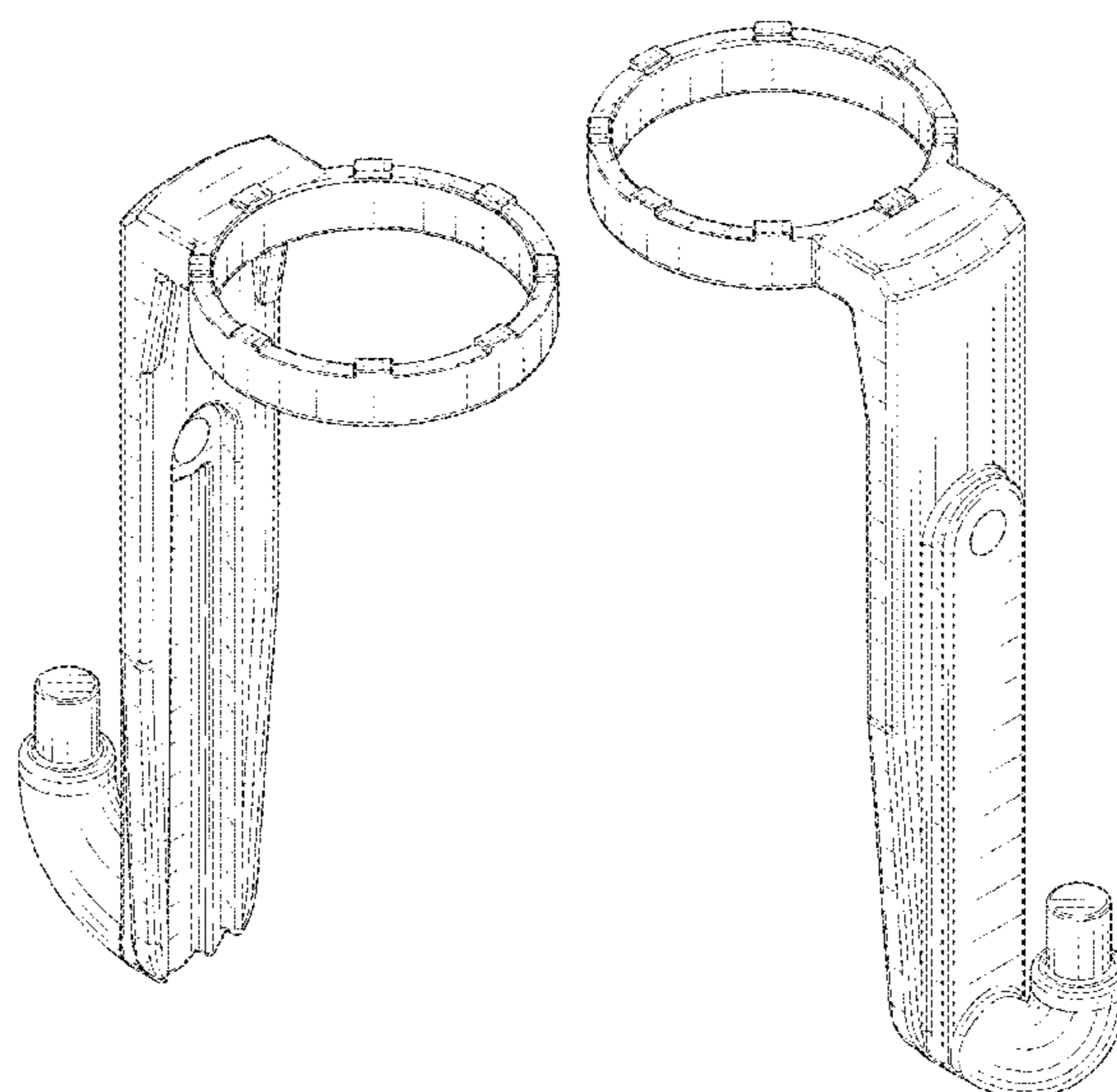
The ornamental design for a model vehicle shock reservoir mount as shown and described.

**DESCRIPTION**

FIG. 1 is an upper, left, front perspective view of a model vehicle shock reservoir mount showing our new design; FIG. 2 is an upper, right, rear perspective view thereof; FIG. 3 is a lower, right, rear perspective view thereof; FIG. 4 is a lower, left, rear perspective view thereof; FIG. 5 is a front elevation view thereof; FIG. 6 is a rear elevation view thereof; FIG. 7 is an upper plan view thereof; FIG. 8 is a lower plan view thereof; FIG. 9 is a right-side elevation view thereof; and, FIG. 10 is a left-side elevation view thereof.

Only the left-side model vehicle shock reservoir mount is shown. The right-side model vehicle shock reservoir mount is a mirror image of the shown model vehicle shock reservoir mount.

**1 Claim, 7 Drawing Sheets**



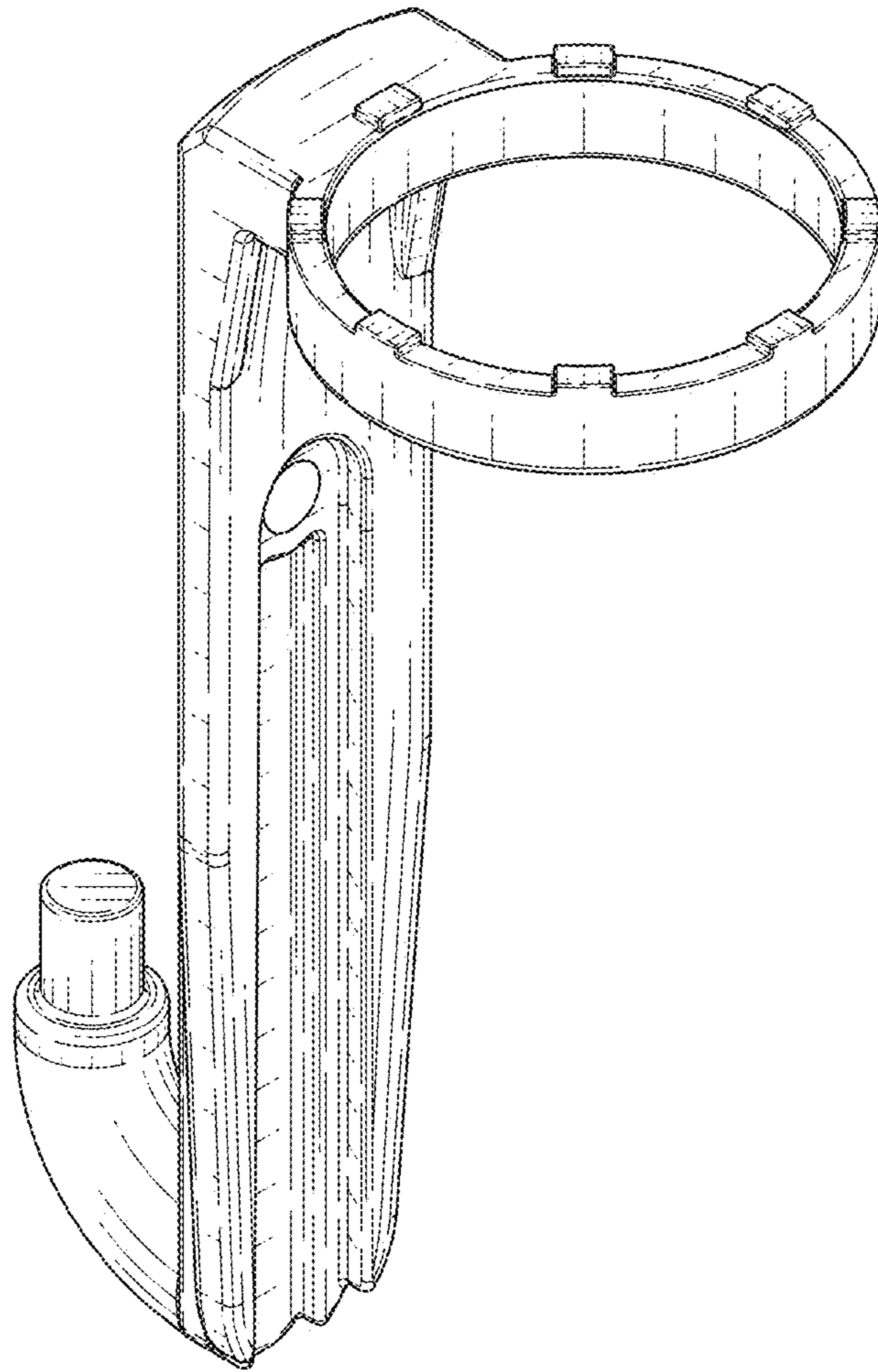


FIG. 1

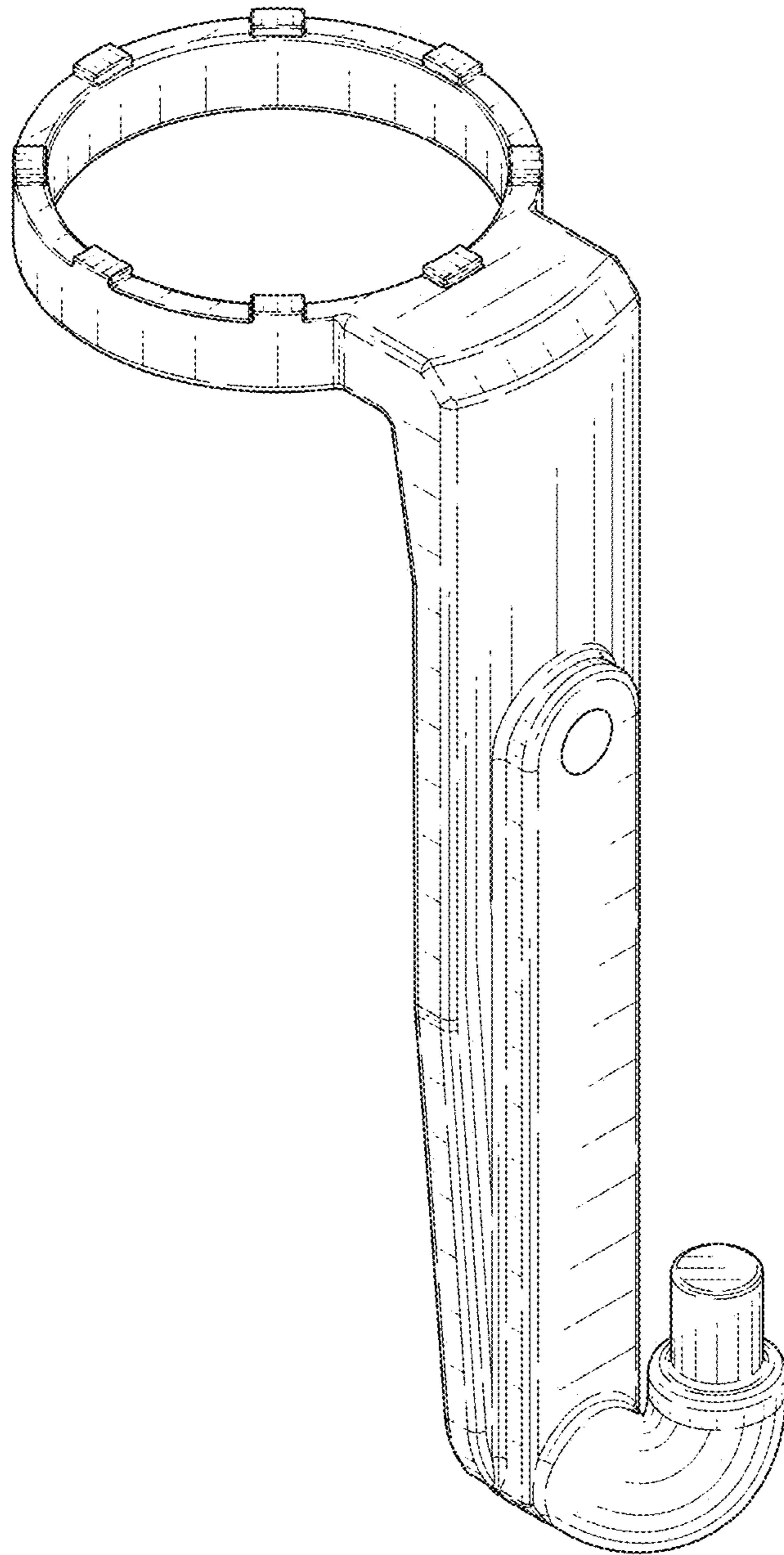


FIG. 2

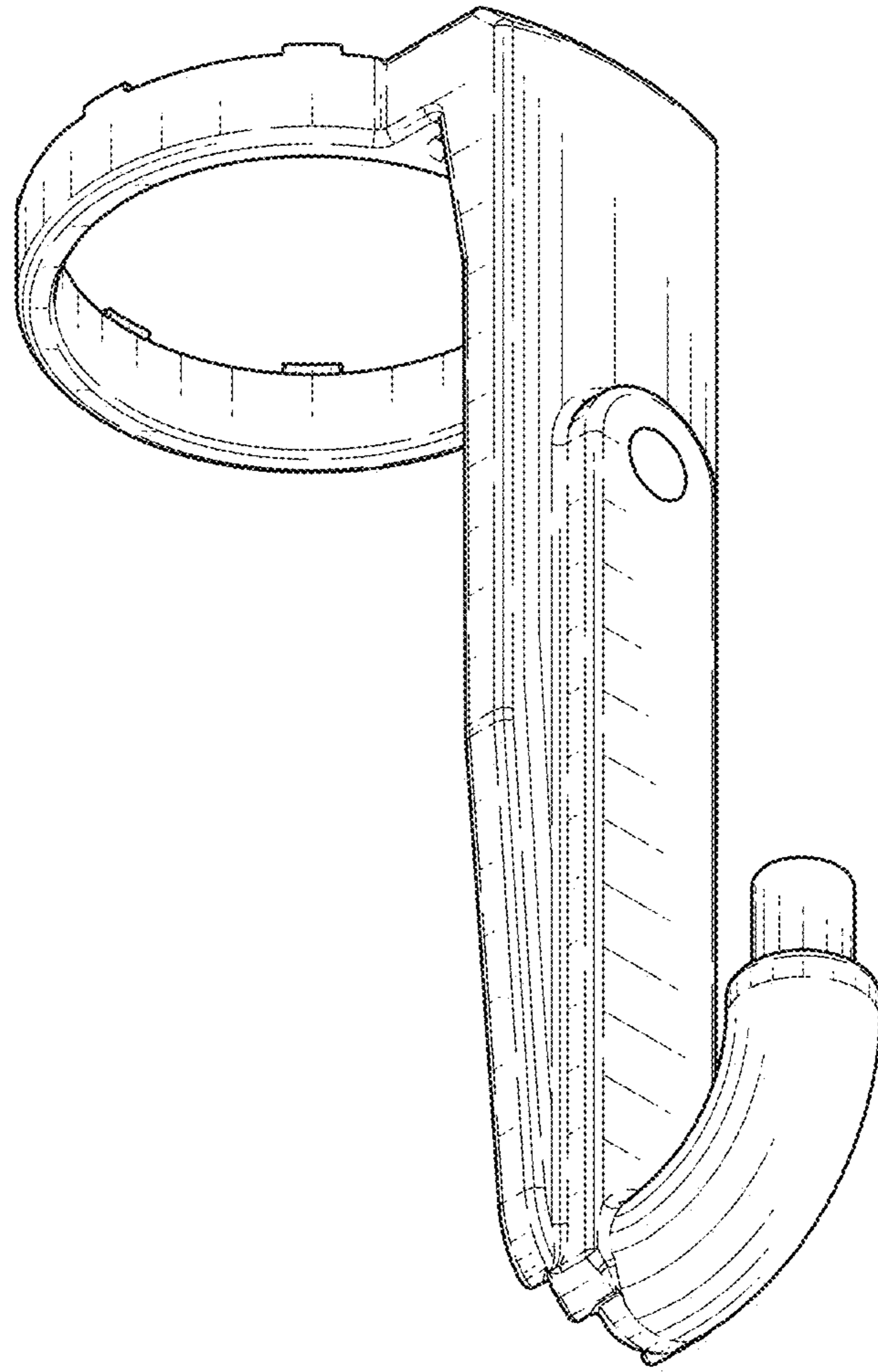


FIG. 3

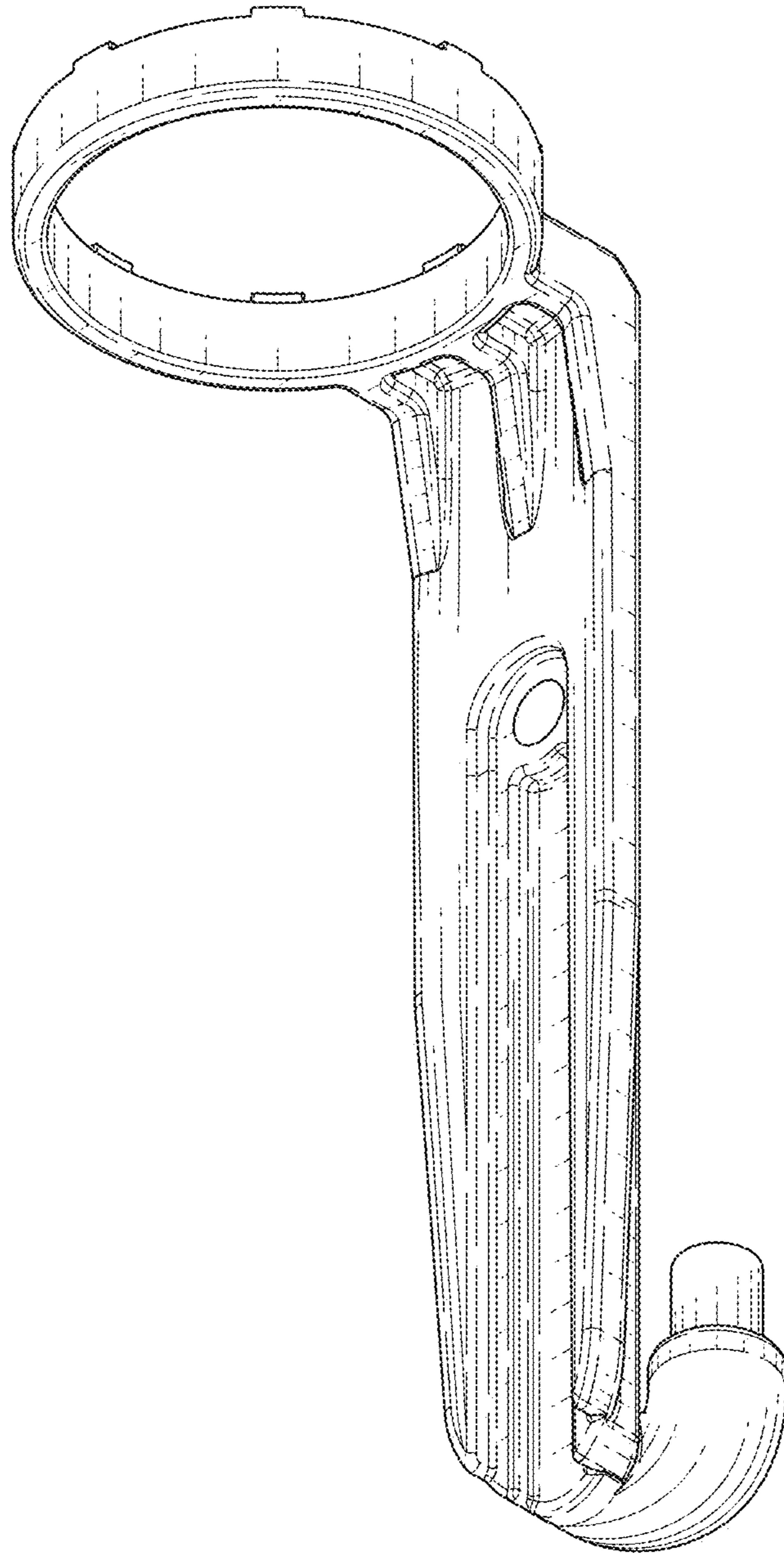


FIG. 4

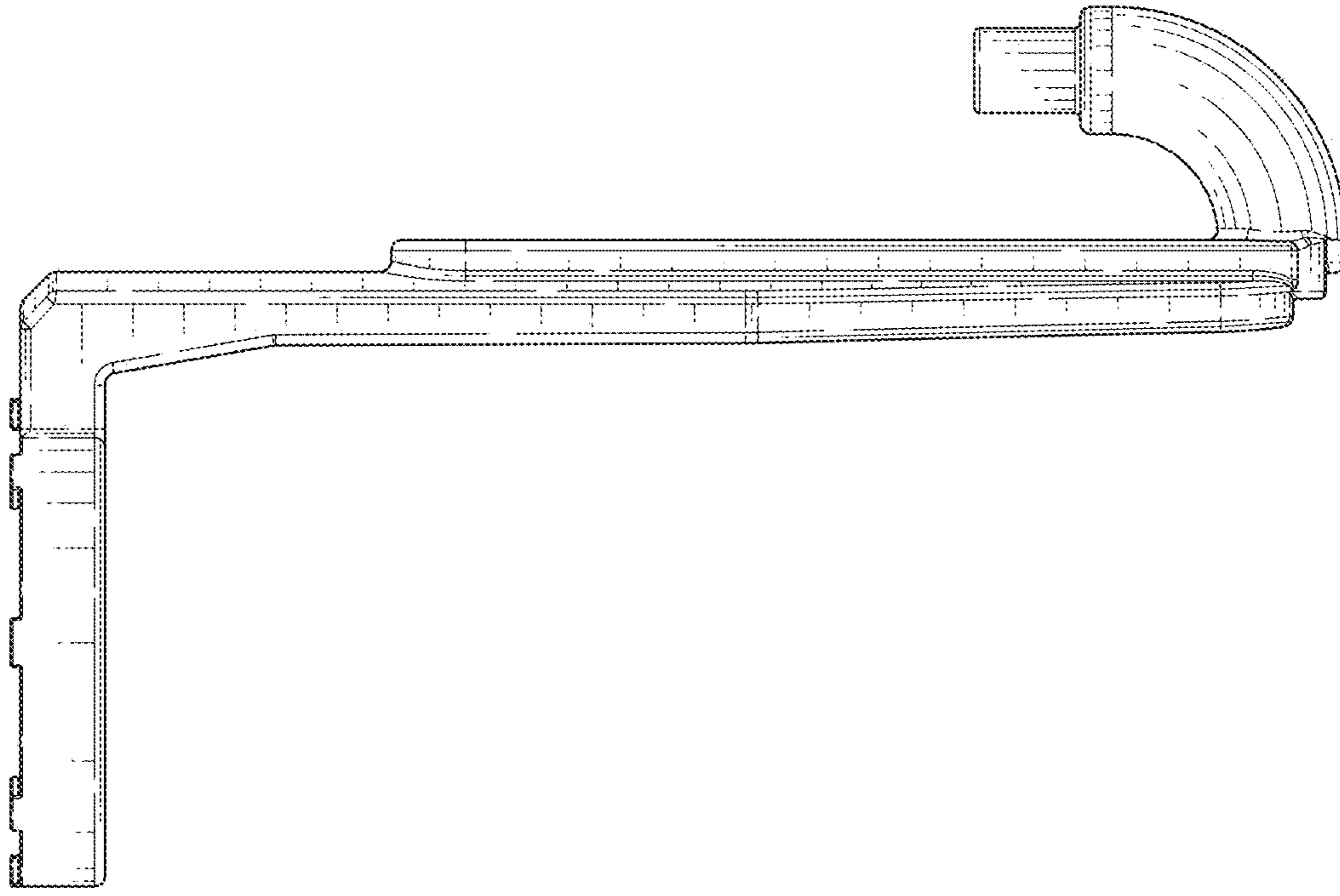


FIG. 5

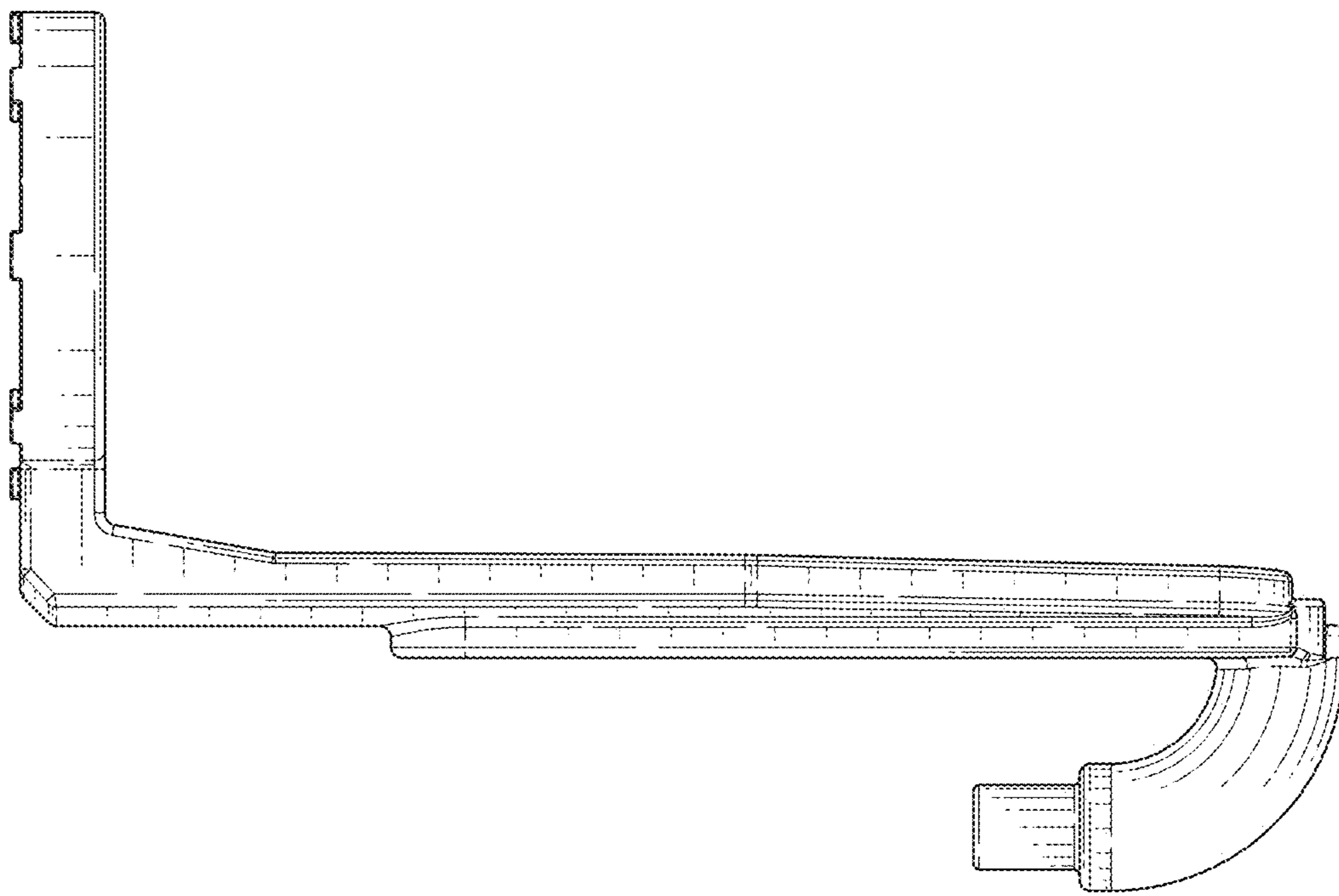


FIG. 6

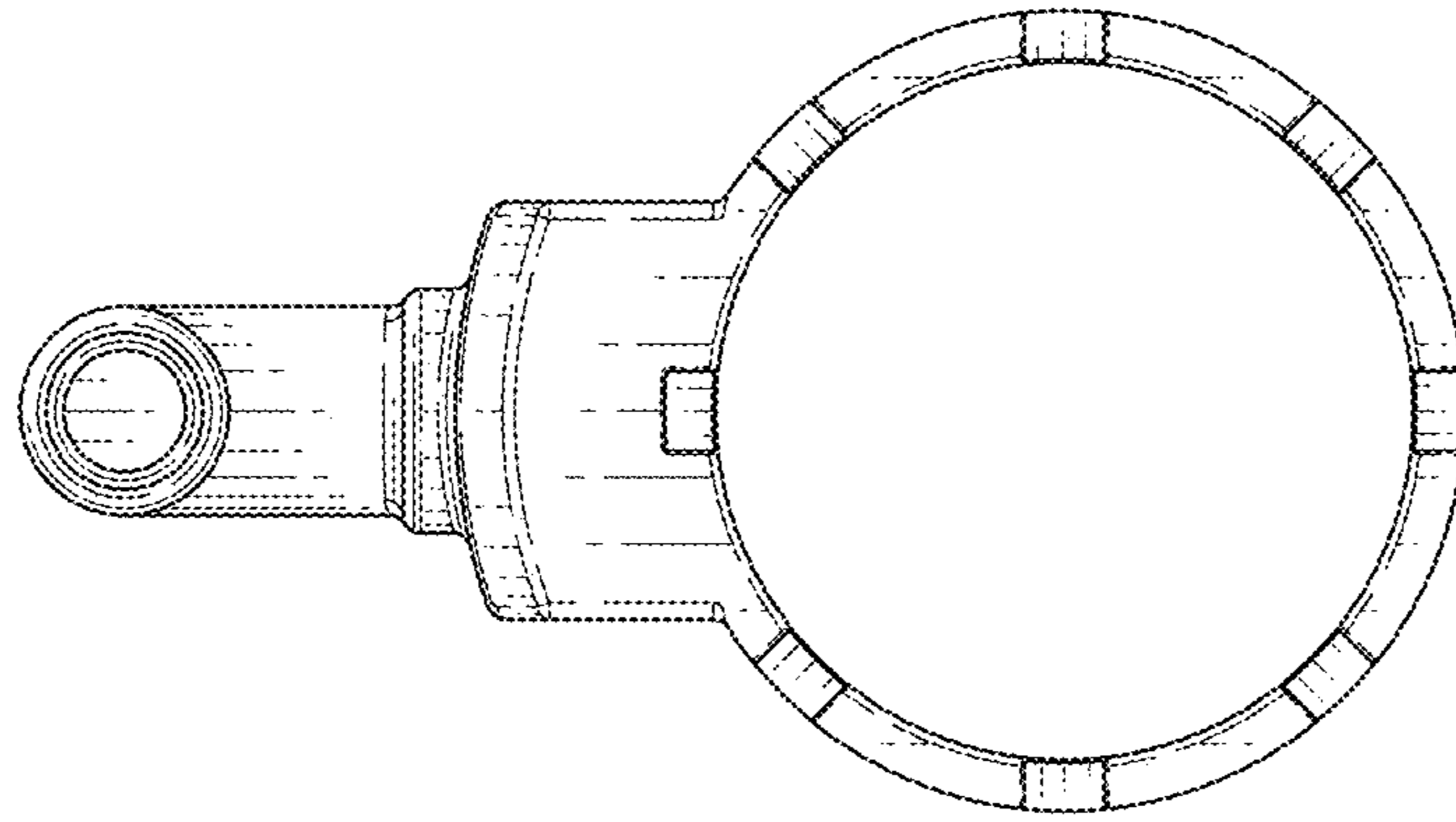


FIG. 7

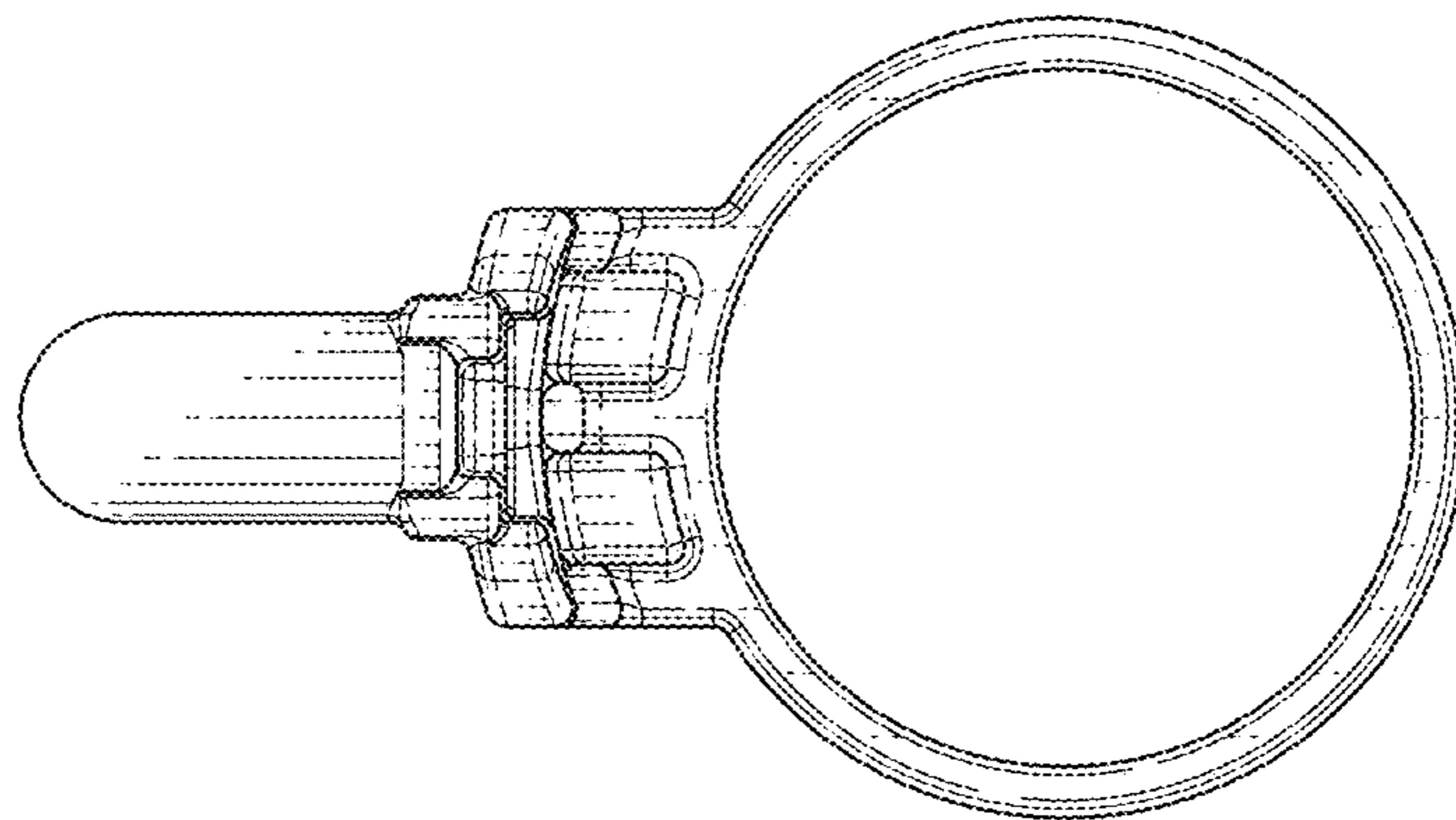


FIG. 8

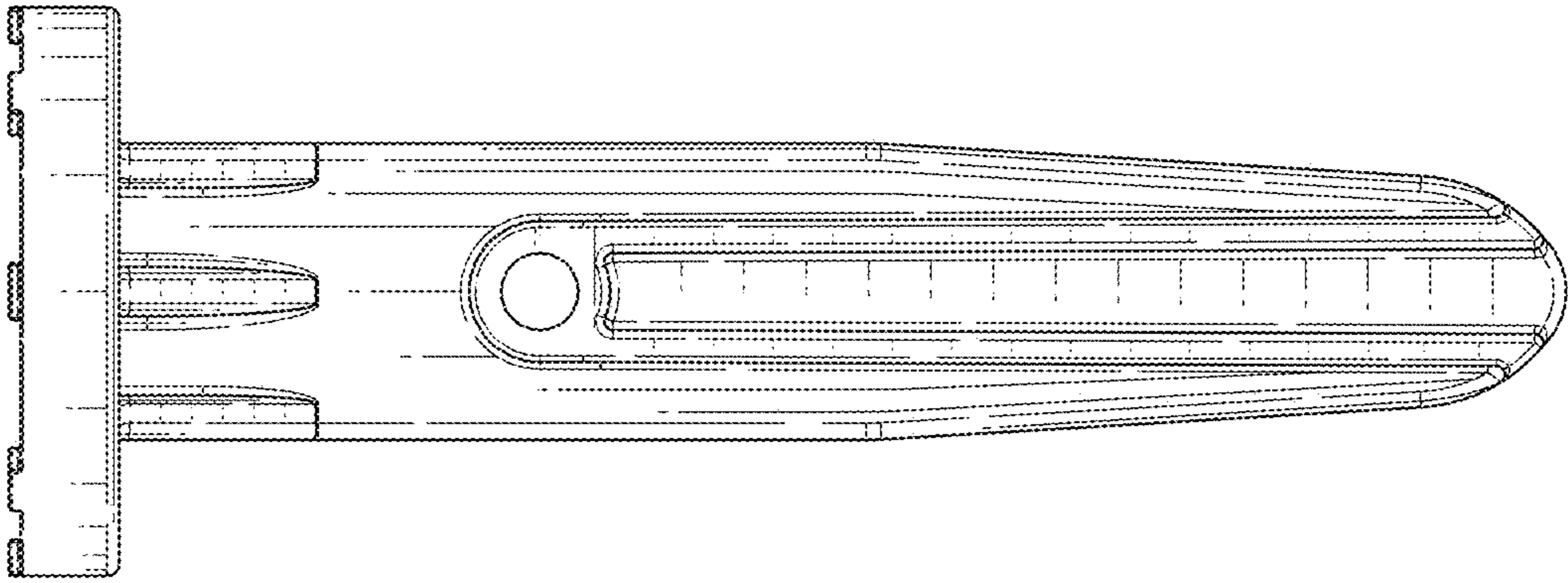


FIG. 10

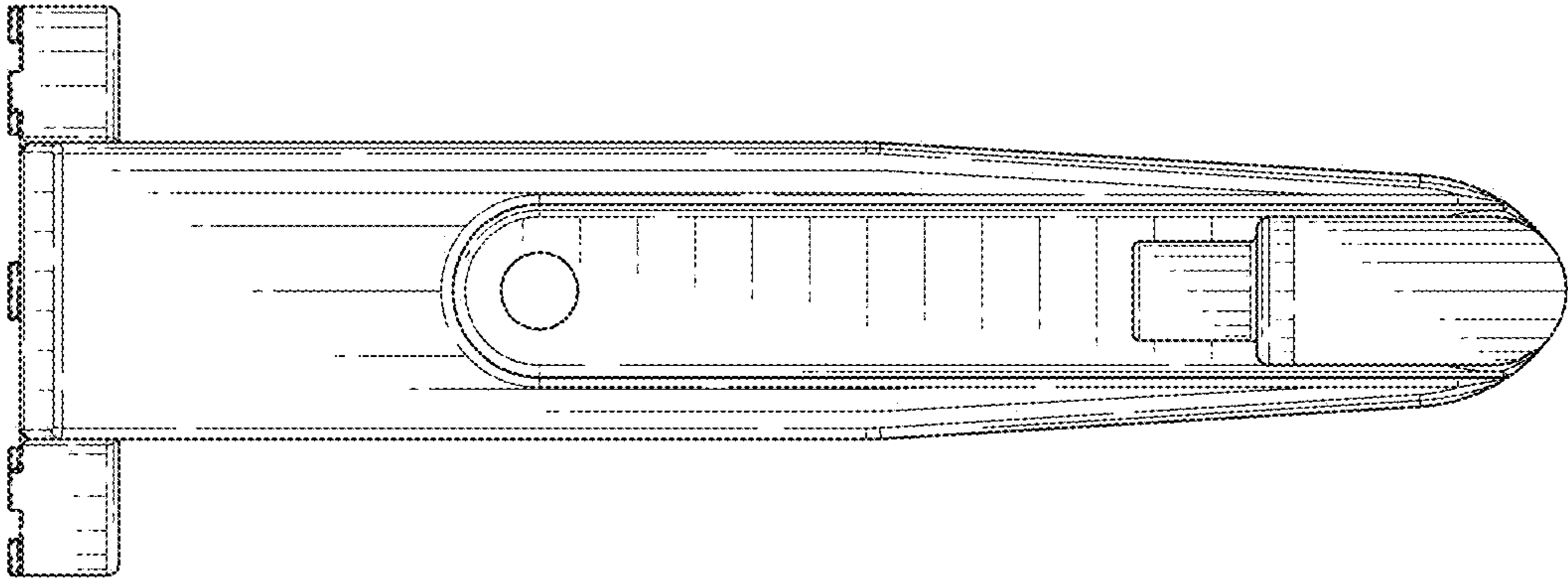


FIG. 9