



US0D1125400S

(12) **United States Design Patent** (10) **Patent No.:** **US D1,125,400 S**
Perez et al. (45) **Date of Patent:** **** May 5, 2026**

- (54) **MODEL VEHICLE SKID PAD**
- (71) Applicant: **TRAXXAS, L.P.**, McKinney, TX (US)
- (72) Inventors: **Randy Perez**, McKinney, TX (US);
Otto Karl Allmendinger, Rowlett, TX (US); **Terry Soward**, Van Alstyne, TX (US)
- (73) Assignee: **TRAXXAS, L.P.**, McKinney, TX (US)
- (**) Term: **15 Years**
- (21) Appl. No.: **29/961,153**
- (22) Filed: **Sep. 4, 2024**
- (51) **LOC (15) Cl.** **21-01**
- (52) **U.S. Cl.**
USPC **D21/561**; D21/562; D21/533
- (58) **Field of Classification Search**
USPC D21/561, 533, 562, 565, 424, 595, 495,
D21/489, 491; D12/159
CPC A63H 17/262; A63H 18/08
See application file for complete search history.

(56) **References Cited**

U.S. PATENT DOCUMENTS

D335,484 S	5/1993	Moyle et al.	
D474,726 S	5/2003	Weber et al.	
D487,041 S	2/2004	Schlachter	
D556,094 S	11/2007	May	
D616,797 S	6/2010	Lamm et al.	
D647,445 S	10/2011	Tonello	
D740,719 S	10/2015	Schanz et al.	
D769,163 S	10/2016	Platto et al.	
D827,520 S *	9/2018	Wu	D12/172
D828,262 S	9/2018	Yates	
D842,788 S	3/2019	Wymore	
D852,698 S	7/2019	Grewer	
D857,575 S *	8/2019	Harriton	D12/196
D857,576 S	8/2019	Harriton et al.	

D858,395 S	9/2019	Harriton et al.
D860,088 S	9/2019	Harriton et al.
D864,819 S	10/2019	Grossaint

(Continued)

FOREIGN PATENT DOCUMENTS

EM	015010398-0001	3/2023
EM	015065983-0015	7/2024

(Continued)

OTHER PUBLICATIONS

Traxxas Website, Traxxas Skid Plates, No Available Date [Website Visited Oct. 17, 2025] Available on the Internet URL <https://traxxas.com/9044-front-and-rear-skid-plates> (Year: 2025).*

(Continued)

Primary Examiner — Lauren D McVey
Assistant Examiner — James T Tyree
(74) *Attorney, Agent, or Firm* — Daryl R. Wright; Greg Carr

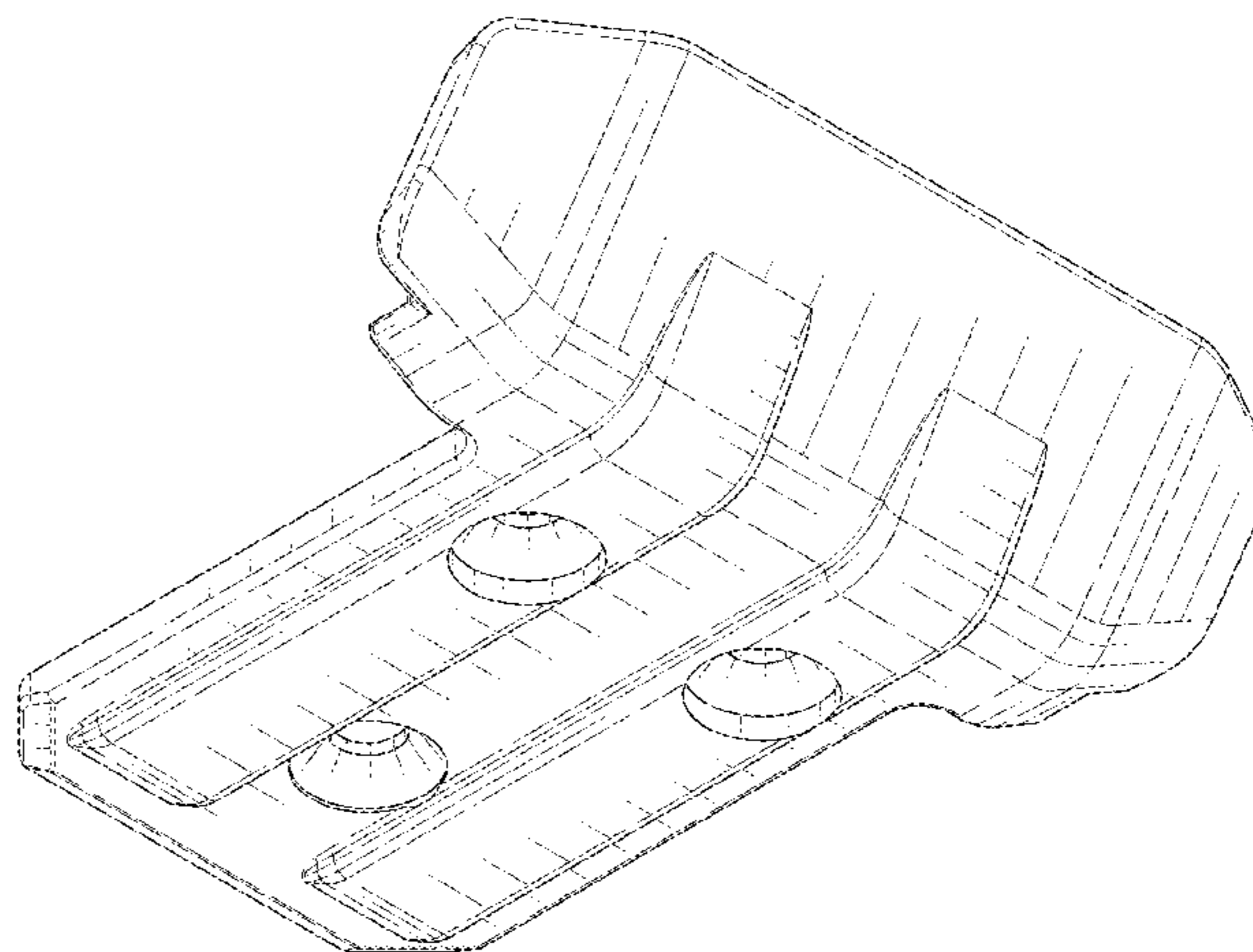
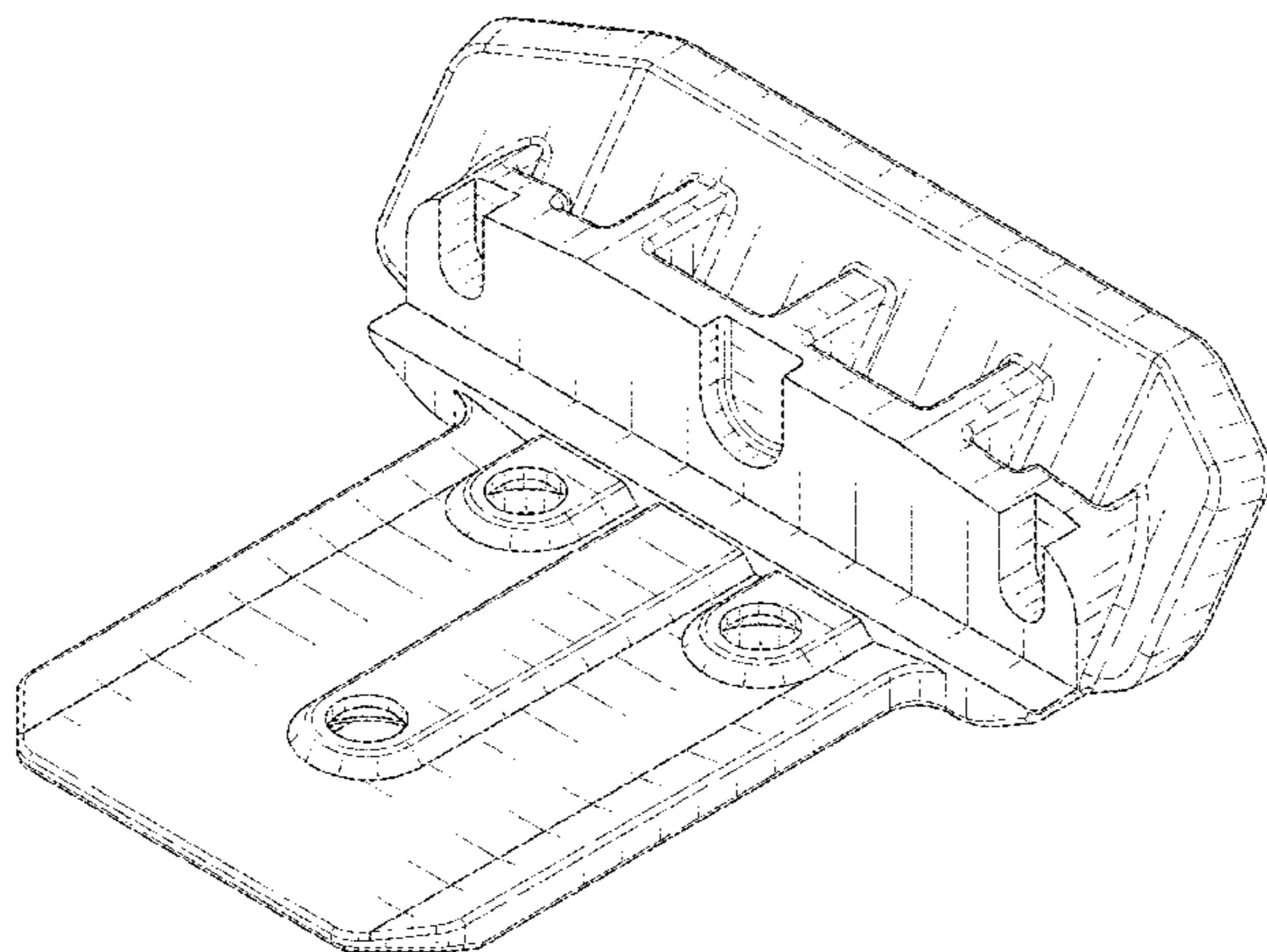
(57) **CLAIM**

The ornamental design for a model vehicle skid pad as shown and described.

DESCRIPTION

FIG. 1 is an upper, left, front perspective view of a model vehicle skid pad showing our new design; FIG. 2 is an upper, right, rear perspective view thereof; FIG. 3 is a lower, right, front perspective view thereof; FIG. 4 is a lower, left, rear perspective view thereof; FIG. 5 is a front elevation view thereof; FIG. 6 is a rear elevation view thereof; FIG. 7 is an upper plan view thereof; FIG. 8 is a lower plan view thereof; FIG. 9 is a right-side elevation view thereof; and, FIG. 10 is a left-side elevation view of a model vehicle skid pad.

1 Claim, 8 Drawing Sheets



(56)

References Cited

U.S. PATENT DOCUMENTS

D867,232 S	11/2019	Izard	
D877,014 S	3/2020	Harriton et al.	
D923,112 S *	6/2021	Hagler	D21/561
D924,338 S	7/2021	Wood et al.	
D928,679 S	8/2021	Liang	
D946,666 S *	3/2022	Ewing	D21/561
D950,449 S	5/2022	Kil	
D977,382 S	2/2023	Kim et al.	
D1,008,114 S	12/2023	Arguden et al.	
D1,016,180 S	2/2024	Allmendinger et al.	
D1,017,485 S *	3/2024	Soward	D12/167
D1,017,722 S *	3/2024	Christensen	D21/561
D1,037,091 S *	7/2024	Soward	D21/561
D1,037,109 S *	7/2024	Harriton	D12/196
D1,037,115 S	7/2024	Harriton et al.	
D1,037,964 S *	8/2024	Harriton	D12/196
D1,040,252 S	8/2024	Ewing et al.	
D1,040,253 S	8/2024	Ewing et al.	
D1,040,936 S *	9/2024	Christensen	D21/561
D1,046,012 S *	10/2024	Ewing	D21/561
D1,054,506 S	12/2024	Hix et al.	
D1,072,074 S *	4/2025	Hagler	D21/561
D1,080,756 S *	6/2025	Ewing	D21/483

FOREIGN PATENT DOCUMENTS

EP	15094181	*	3/2025
GB	6207306	*	6/2022
GB	6217585	*	7/2022
GB	6258129		2/2023

OTHER PUBLICATIONS

Amazon Website, Traxxas Skid Plates, No Available Date [Website Visited Oct. 17, 2025] Available on the Internet URL <https://www.amazon.com/dp/B0DW9HGYT5> (Year: 2025).*

Amazon Website, RcarmubWow Skid Plates, No Available Date [Website Visited Oct. 17, 2025] Available on the Internet URL <https://www.amazon.com/dp/B0FDK9QFLL/> (Year: 2025).*

Traxxas Skidplate Set, Earliest Available Date Jul. 17, 2009 [Online], [Site Visited Nov. 3, 2020] Available From Internet, URL: <https://www.amainhobbies.com/traxxas-skidplate-set-tra7037/p139497?gclid=EAlalQobChMlz9HfodHm7AIVy8DICH1FYgZzEAQYAyABEgQLQ2fD_BWE> (Year: 2009).

ARB Skid Plates for Toyota Tacoma (2005+), Tin-Eye Date Dec. 7, 2019 [Online], [Site Visited Nov. 3, 2020] Available From Internet, URL: <<https://aventuron.com/collections/arb/products/arb-skid-plates-for-toyota-tacoma-2005>> (Year: 2019).

RPM Traxxas Sledge Front Bumper & Skid Plate. 2024. Hobby Time RC. <https://www.hobbytimerc.com/rpm-traxxas-sledge-front-bumper-skid-plate-black-7.html>.

Traxxas XRT Center Skid Plate, as shown in www.amainhobbies.com, May 16, 2023, Part # TRA7837. (Year: 2023).

Traxxas X-Maxx Center Skid Plate, as shown in www.amazon.com, Jan. 5, 2016, Asin B01A6YD5H4. (Year: 2016).

HPI Racing—Center Skid Plate (Savage XL Flux V2) HP160311, as shown in www.eurorc.com, no date listed, date found Jun. 6, 2024. (Year: 2024).

Traxxas XRT Front and Rear Skid Plates, as shown in www.hobbytown.com, Jun. 12, 2023, Part # TRA7844. (Year: 2023).

Traxxas X-Maxx Skid Plate, Front & Rear, as shown in www.amazon.com, Jan. 5, 2016, Asin B01A6YD5IS. (Year: 2016).

Front and Rear Skid Plates / Bumpers, Traxxas Website, No Available Date [Website Visited Oct. 3, 2025] Available on the Internet, URL <https://traxxas.com/10737-front-and-rear-skid-plates-bumpers> (Year: 2025).

Aluminum Rear Skid Plate Blue for Traxxas 1/10 E Revo VXL 2.0 8637, Amazon Website, Earliest Comment Date: Jun. 21, 2023 [Website Visited Oct. 3, 2025], Available on the Internet URL <https://www.amazon.com/dp/B09JMSZ3SS> (Year: 2023).

* cited by examiner

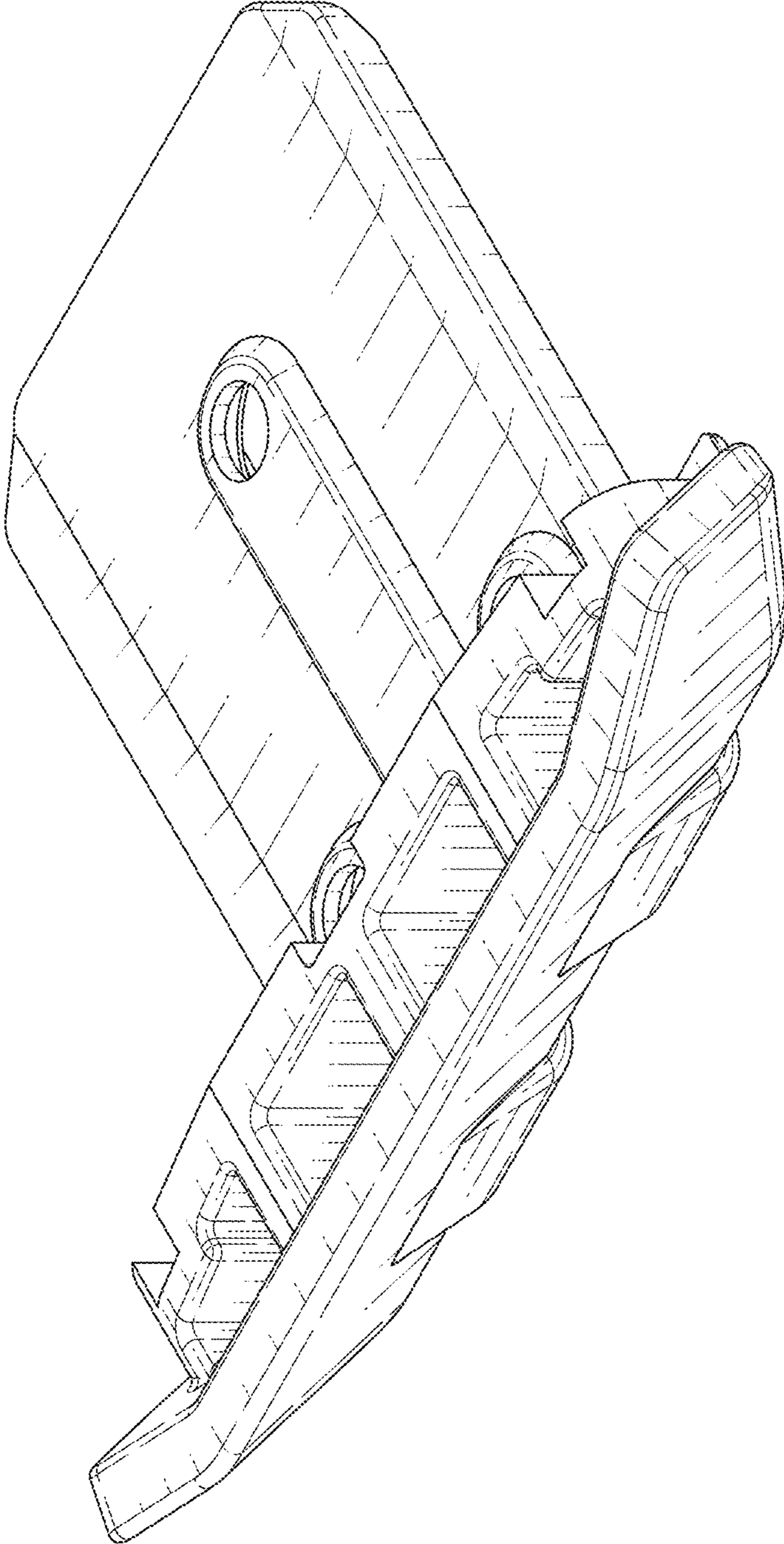


FIG. 1

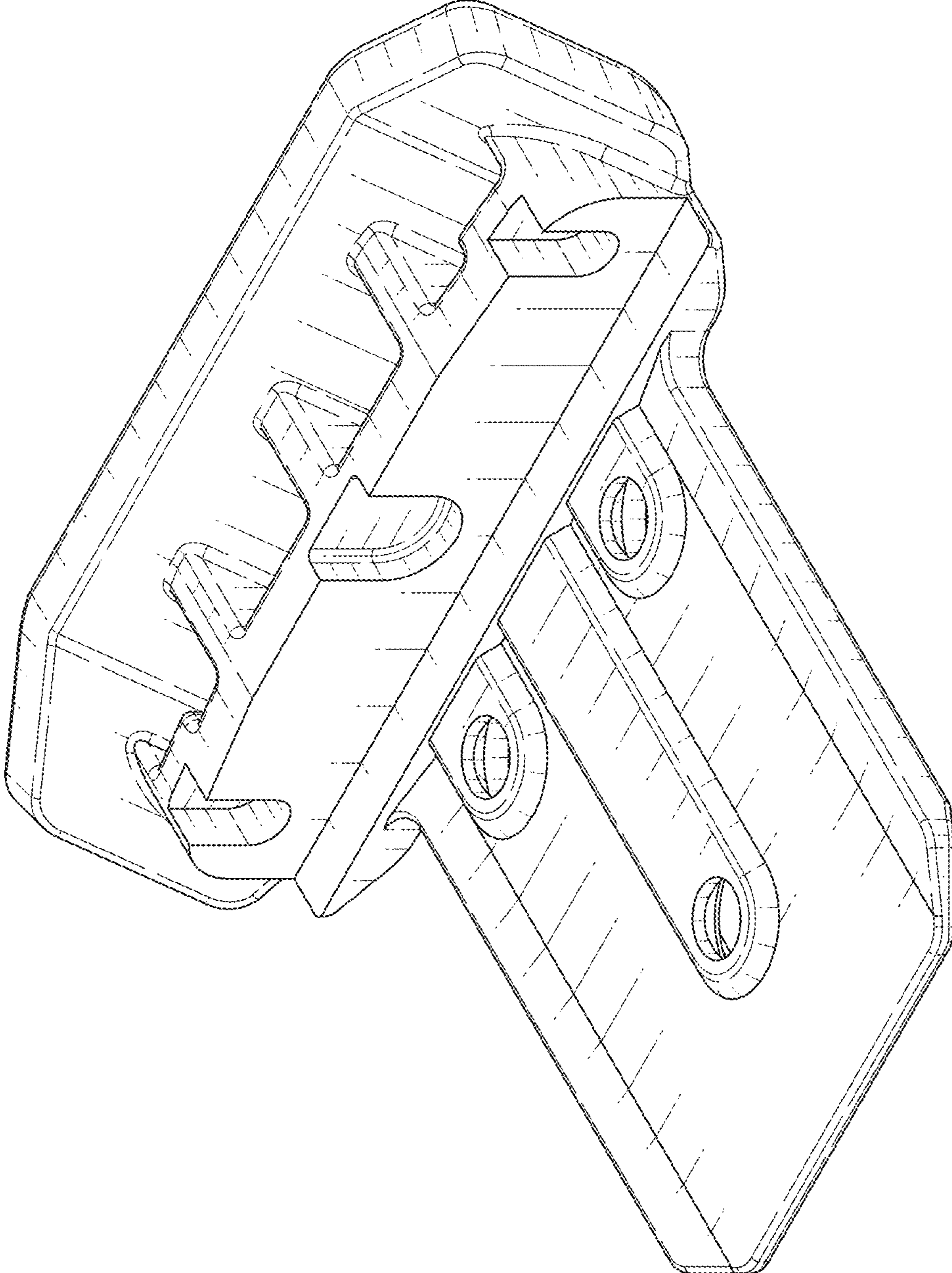


FIG. 2

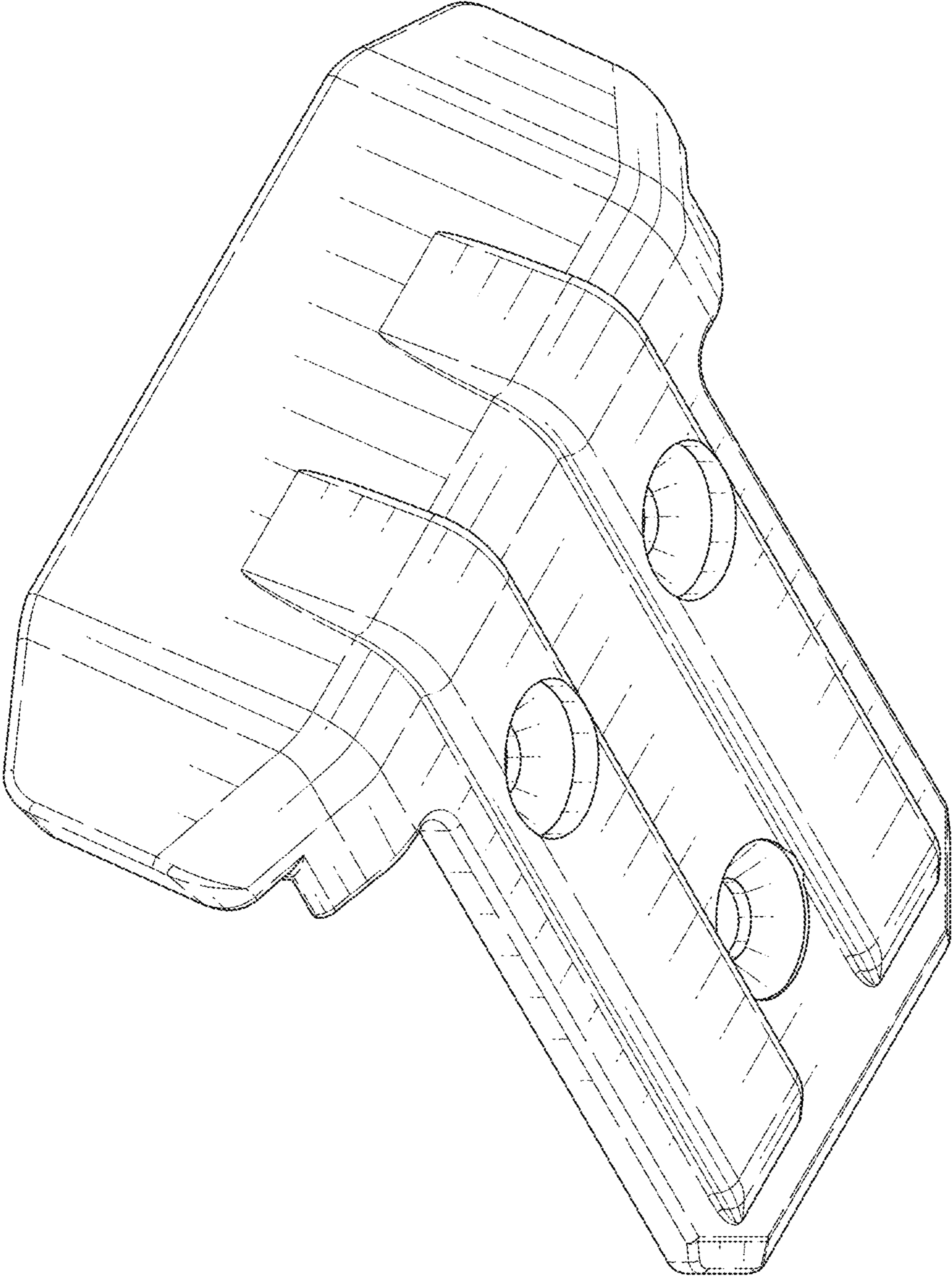


FIG. 3

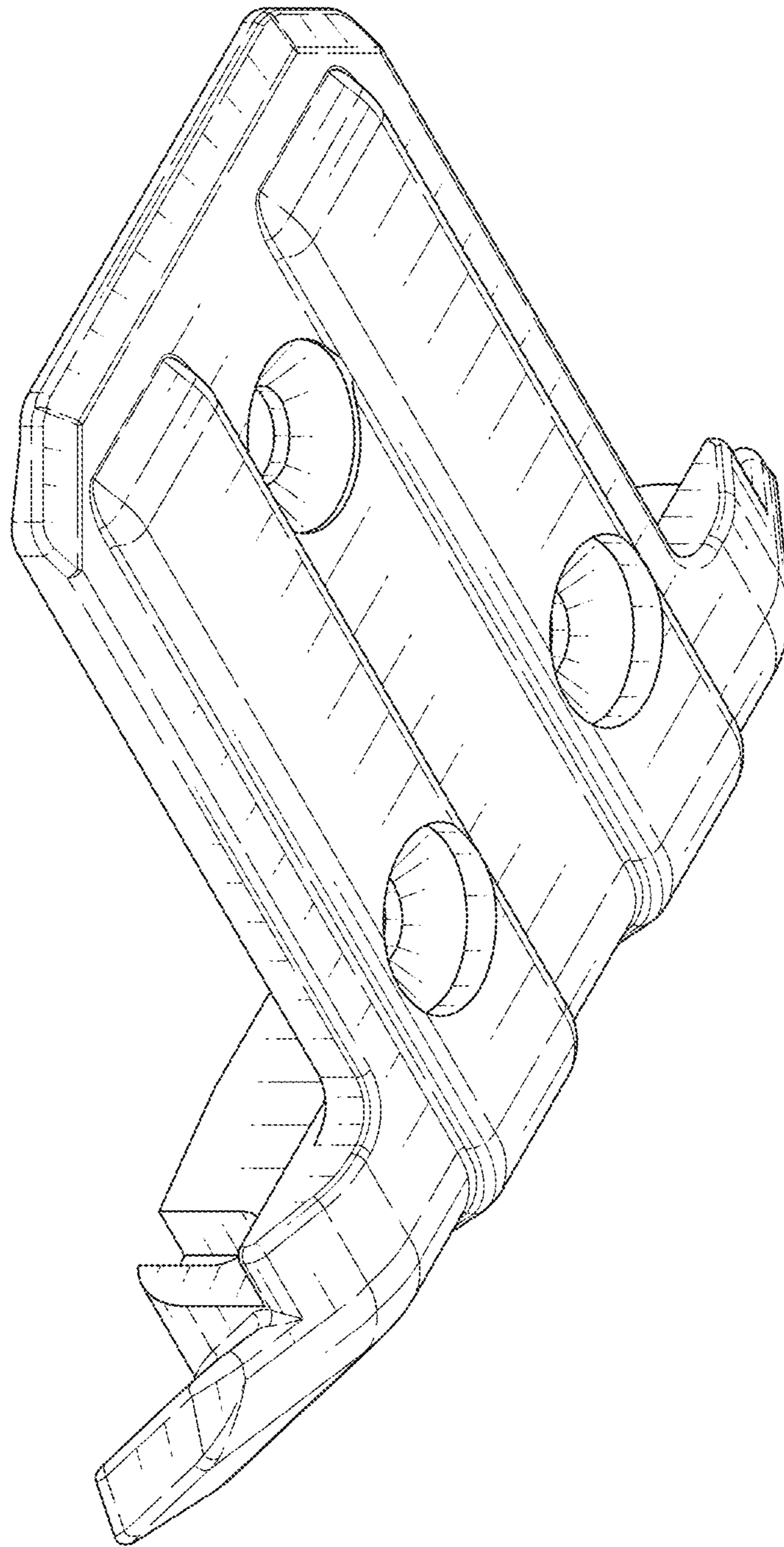


FIG. 4

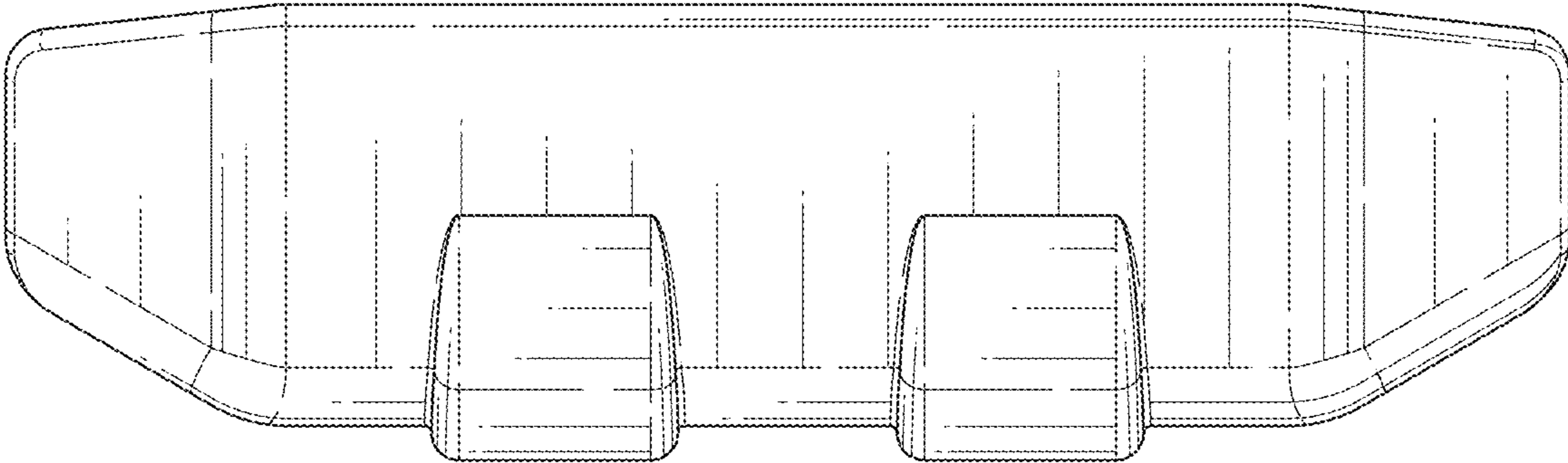


FIG. 5

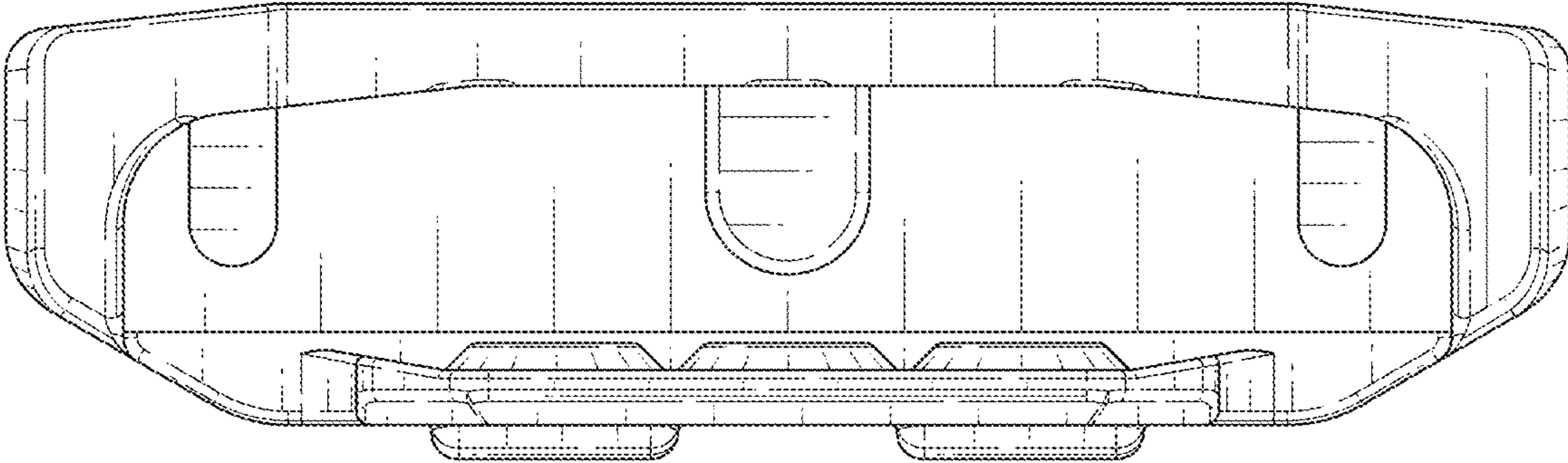


FIG. 6

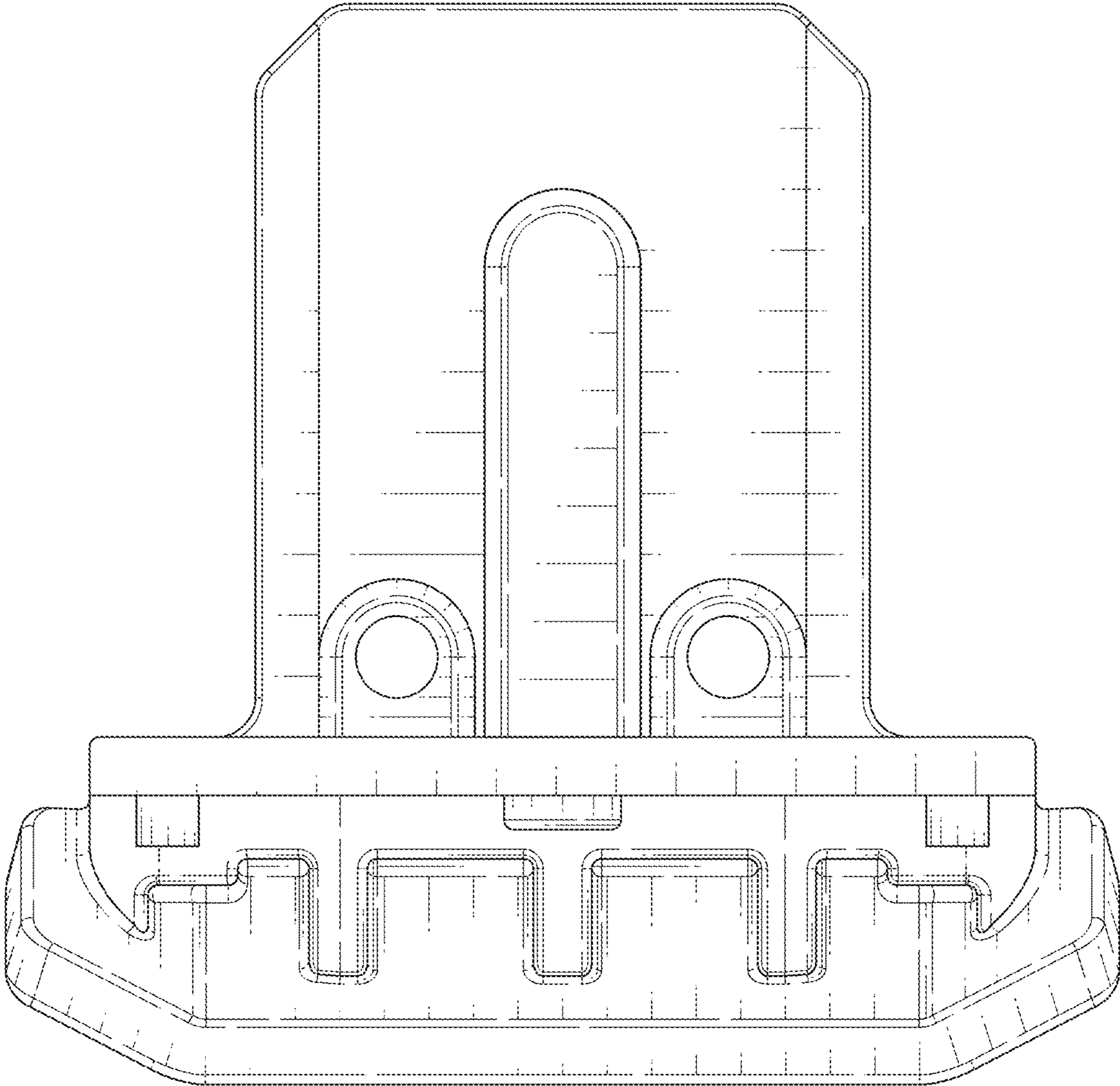


FIG. 7

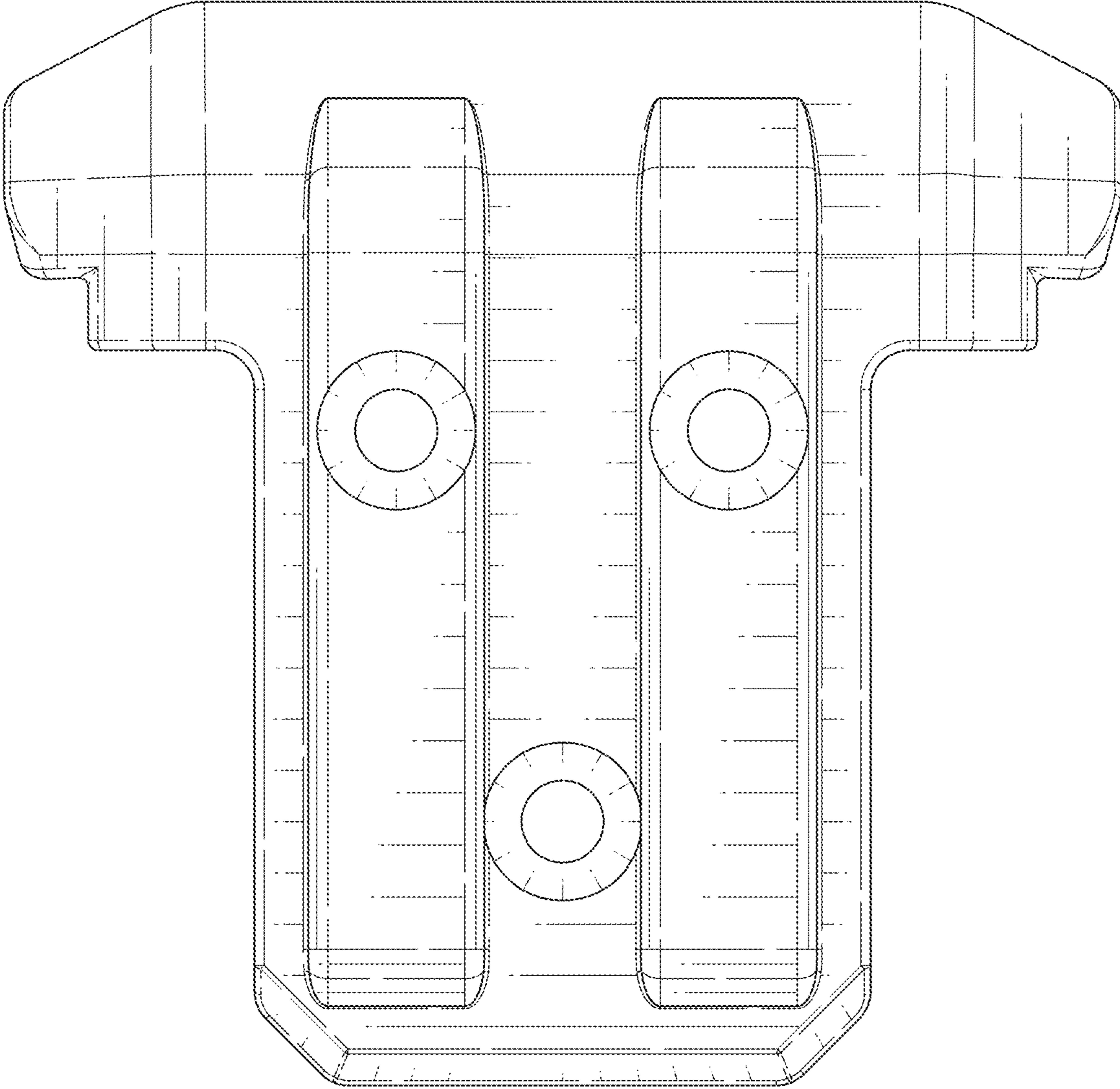


FIG. 8

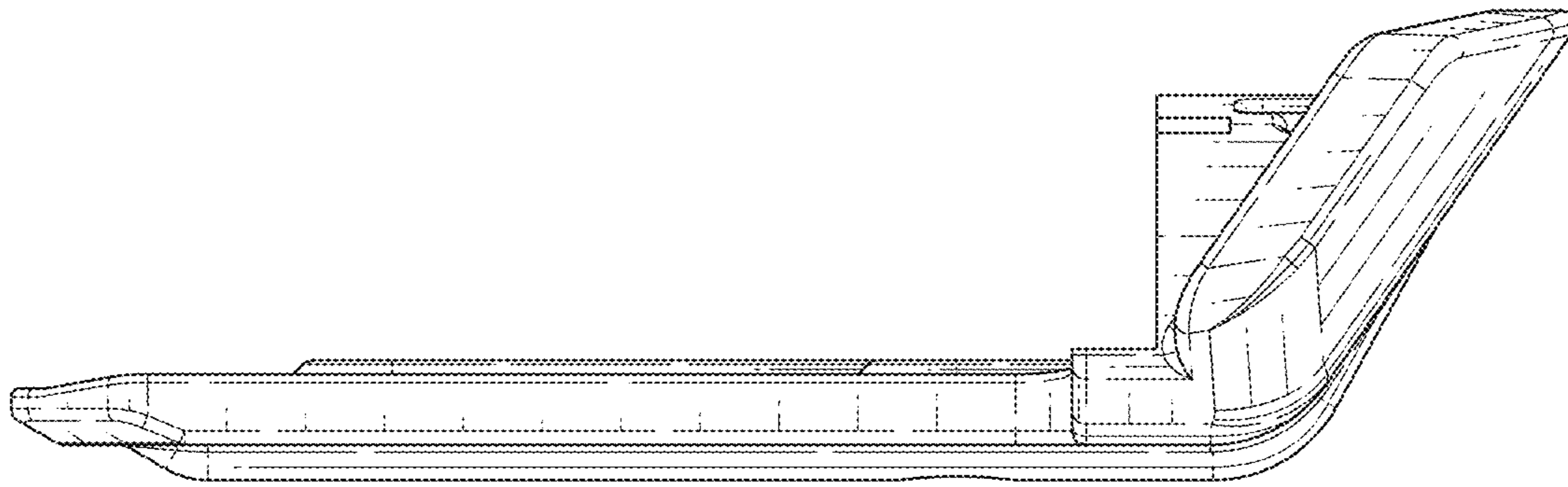


FIG. 9

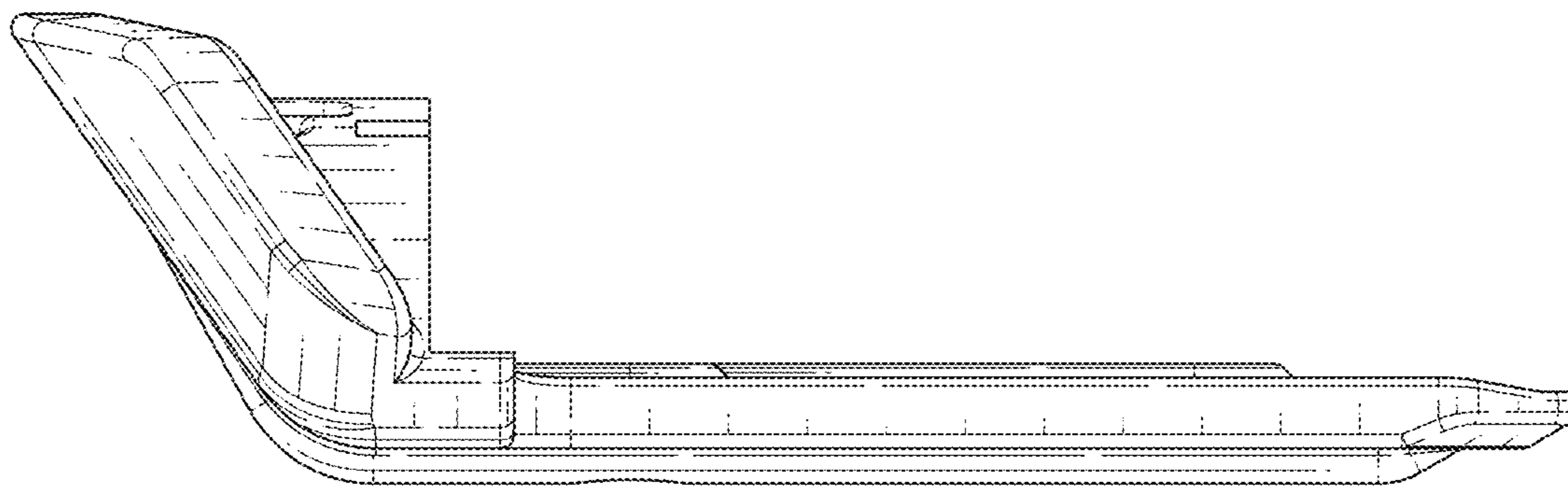


FIG. 10