



US0D1124995S

(12) **United States Design Patent** (10) **Patent No.:** **US D1,124,995 S**
Friesen et al. (45) **Date of Patent:** **** May 5, 2026**

(54) **DOUBLE DOOR RING**

(71) Applicant: **Tesla, Inc.**, Austin, TX (US)

(72) Inventors: **Samuel Friesen**, Austin, TX (US);
Julian Nunez Casas, Austin, TX (US);
Dipali Karande, Austin, TX (US); **Shi Li**, Austin, TX (US)

(73) Assignee: **Tesla, Inc.**, Austin, TX (US)

(**) Term: **15 Years**

(21) Appl. No.: **29/918,733**

(22) Filed: **Nov. 29, 2023**

(51) **LOC (15) Cl.** **12-08**

(52) **U.S. Cl.**
USPC **D12/195**

(58) **Field of Classification Search**
USPC D12/82, 83, 85, 86, 88, 89, 90, 91, 92,
D12/93, 94, 96, 97, 98, 99, 181, 184,
(Continued)

(56) **References Cited**

U.S. PATENT DOCUMENTS

D447,457 S * 9/2001 An D12/196
D645,387 S * 9/2011 Kumai D12/196
(Continued)

OTHER PUBLICATIONS

The Autopian, Published Dec. 18, 2023 [online], [retrieved on Jan. 30, 2026]. Retrieved from the Internet: <https://www.theautopian.com/exclusive-tesla-cybertruck-factory-tour-shows-how-the-engineers-made-it-buildable/> (Year: 2023).*

(Continued)

Primary Examiner — Adam C Mager

(74) *Attorney, Agent, or Firm* — Schwegman Lundberg & Woessner, P.A.

(57) **CLAIM**

The ornamental design for a double door ring as shown and described.

DESCRIPTION

The file of this patent contains at least one drawing/photograph executed in color. Copies of this patent with color drawing(s)/photograph(s) will be provided by the Office upon request and payment of the necessary fee.

FIG. 1 is a rear perspective view of a double door ring, which includes a unitary inner portion and a unitary outer portion, showing the claimed design;

FIG. 2 is a front perspective view of the double door ring;

FIG. 3 is a rear view of the double door ring;

FIG. 4 is a front view of the double door ring;

FIG. 5 is a left view of FIG. 3;

FIG. 6 is a right view of FIG. 3;

FIG. 7 is a top view of FIG. 3;

FIG. 8 is a bottom view of FIG. 3;

FIG. 9 is another rear perspective view of the double door ring of FIG. 1, showing a color rendering of the claimed design;

FIG. 10 is a front perspective view of the double door ring of FIG. 9;

FIG. 11 is a rear view of the double door ring of FIG. 9;

FIG. 12 is a front view of the double door ring of FIG. 9;

FIG. 13 is a left view of FIG. 11;

FIG. 14 is a right view of FIG. 11;

FIG. 15 is a top view of FIG. 11;

FIG. 16 is a bottom view of FIG. 11;

FIG. 17 is a rear perspective view of the unitary outer portion of FIG. 1, showing a color rendering of the design;

FIG. 18 is a front perspective view of the unitary outer portion of FIG. 17;

FIG. 19 is a rear view of the unitary outer portion of FIG. 17;

FIG. 20 is a front view of the unitary outer portion of FIG. 17;

FIG. 21 is a left view of FIG. 19;

FIG. 22 is a right view of FIG. 19;

FIG. 23 is a top view of FIG. 19;

FIG. 24 is a bottom view of FIG. 19;

FIG. 25 is a rear perspective view of the unitary inner portion of FIG. 1, showing a color rendering of the design;

(Continued)

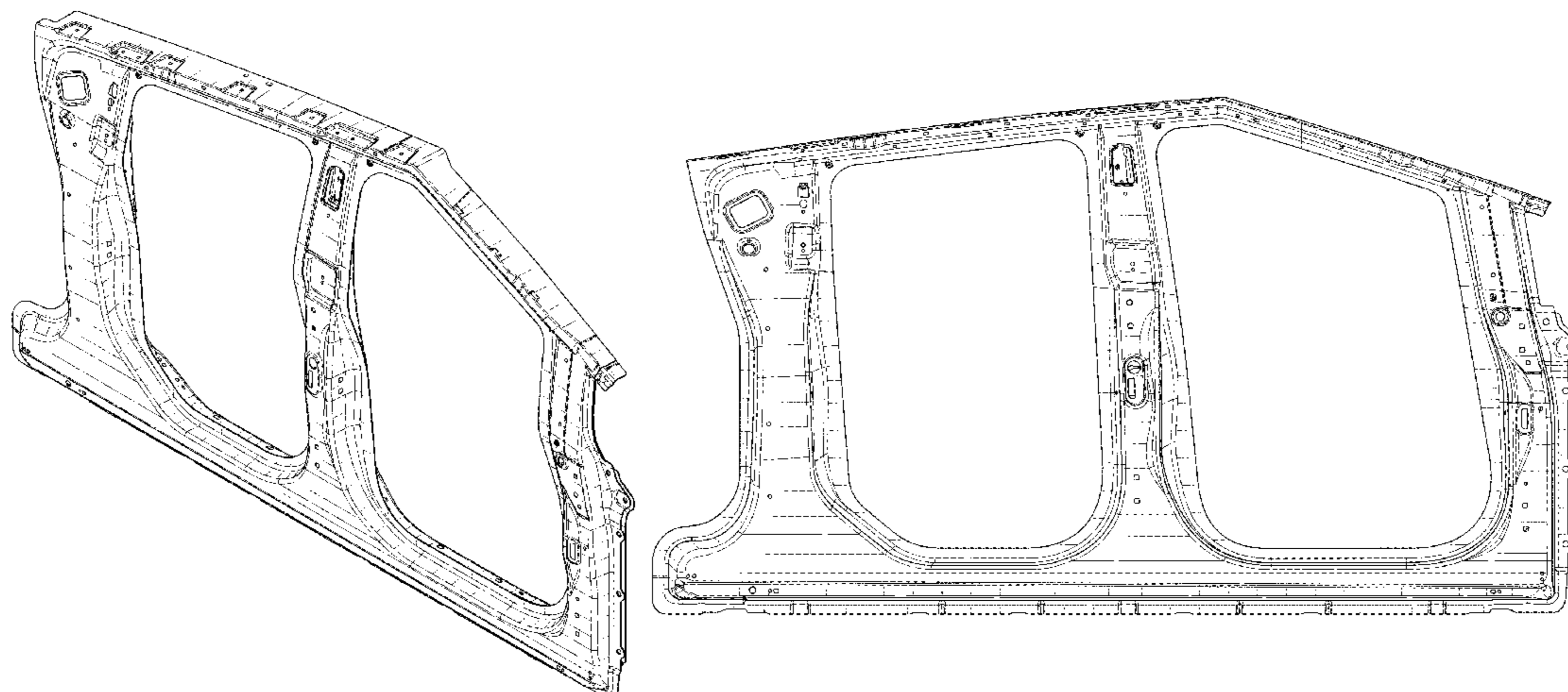


FIG. 26 is a front perspective view of the unitary inner portion of FIG. 25;
 FIG. 27 is a rear view of the unitary inner portion of FIG. 25;
 FIG. 28 is a front view of the unitary inner portion of FIG. 25;
 FIG. 29 is a left view of FIG. 28;
 FIG. 30 is a right view of FIG. 28;
 FIG. 31 is a top view of FIG. 28; and,
 FIG. 32 is a bottom view of FIG. 28.
 Broken lines or phantom lining are used for illustrative purposes only and form no part of the claimed design. Any shading in the drawings is also used for illustrative purposes to provide contrast and forms no part of the claimed design.

**1 Claim, 24 Drawing Sheets
 (18 of 24 Drawing Sheet(s) Filed in Color)**

(58) **Field of Classification Search**

USPC D12/190, 192, 195, 196; D21/533, 548, D21/552, 561
 CPC B60J 5/00; B60J 5/04; B60J 5/0412; B60J 5/0425; B60J 5/0437; B60J 5/0441; B60J 5/0444; B60J 5/0447; B60J 5/0463; B60J 5/0469; B60J 5/0476; B60J 5/0483; B60J 5/0486; B62D 25/02; B62D 25/04; B62D 35/00

See application file for complete search history.

(56)

References Cited

U.S. PATENT DOCUMENTS

D647,836	S	*	11/2011	Kubo	D12/196
D658,558	S	*	5/2012	Hakamata	D12/196
D660,216	S	*	5/2012	Ikuma	D12/196
D672,301	S	*	12/2012	Yamada	D12/196
D691,537	S	*	10/2013	Tada	D12/196
D691,538	S	*	10/2013	Tada	D12/196
D691,936	S	*	10/2013	Kawasaki	D12/196
D697,000	S	*	1/2014	Suga	D12/196
D699,655	S	*	2/2014	Okue	D12/196
D1,067,146	S	*	3/2025	Chung	D12/196

OTHER PUBLICATIONS

“Chinese Application Serial No. 202430321115.5, Response Filed Feb. 11, 2025 to Office Action mailed Dec. 27, 2024”, w English translation, 44 pgs.
 “Korean Application Serial No. 30-2024-0020793 , Notice of Preliminary Rejection Reasons for Refusal mailed on Jan. 24, 2025”, w English Translation, 5 pgs.
 “Korean Application Serial No. 30-2024-0020793 , Notification of Preliminary Rejection mailed on Jan. 24, 2025”, w English Translation, 6 pgs.
 “Korean Application Serial No. 30-2024-0020793 , Response Filed Mar. 17, 2025 to Notice of Preliminary Rejection Reasons for Refusal mailed on Jan. 24, 2025”, w English translation, 8 pgs.
 “Korean Application Serial No. 30-2024-0020793 , Response Filed Mar. 17, 2025 to Notification of Preliminary Rejection mailed on Jan. 24, 2025”, w English translation, 13 pgs.

* cited by examiner

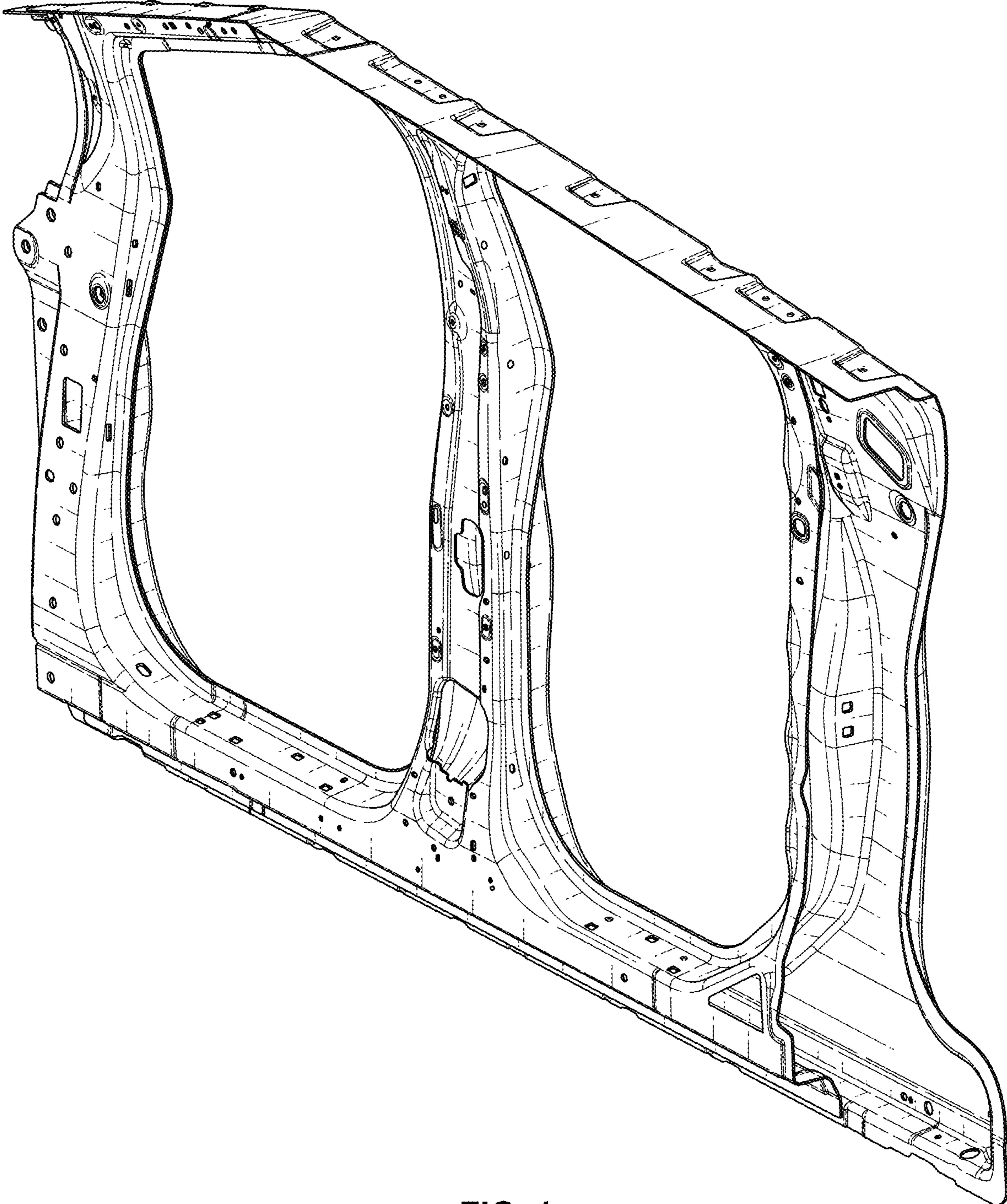


FIG. 1

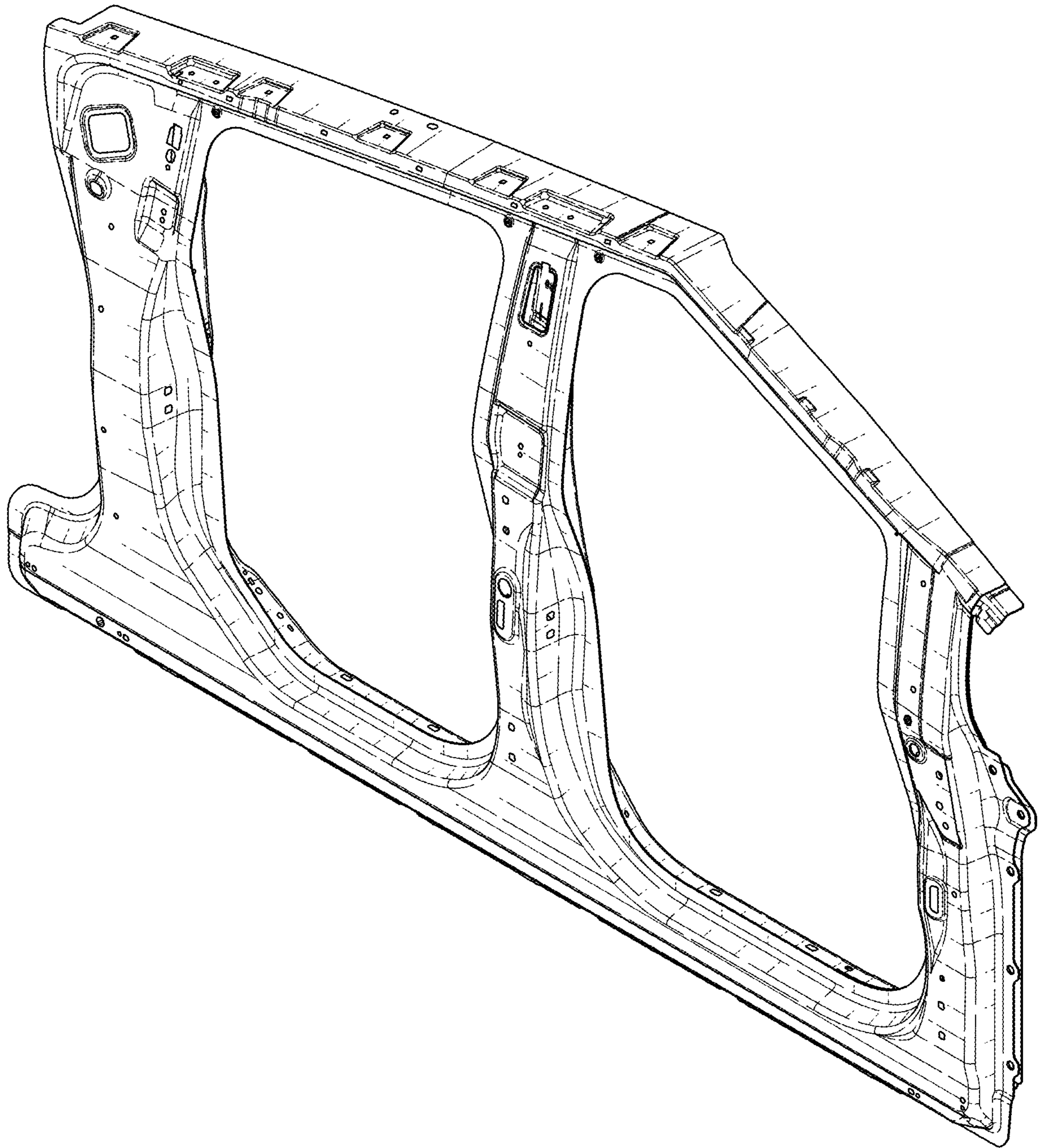


FIG. 2

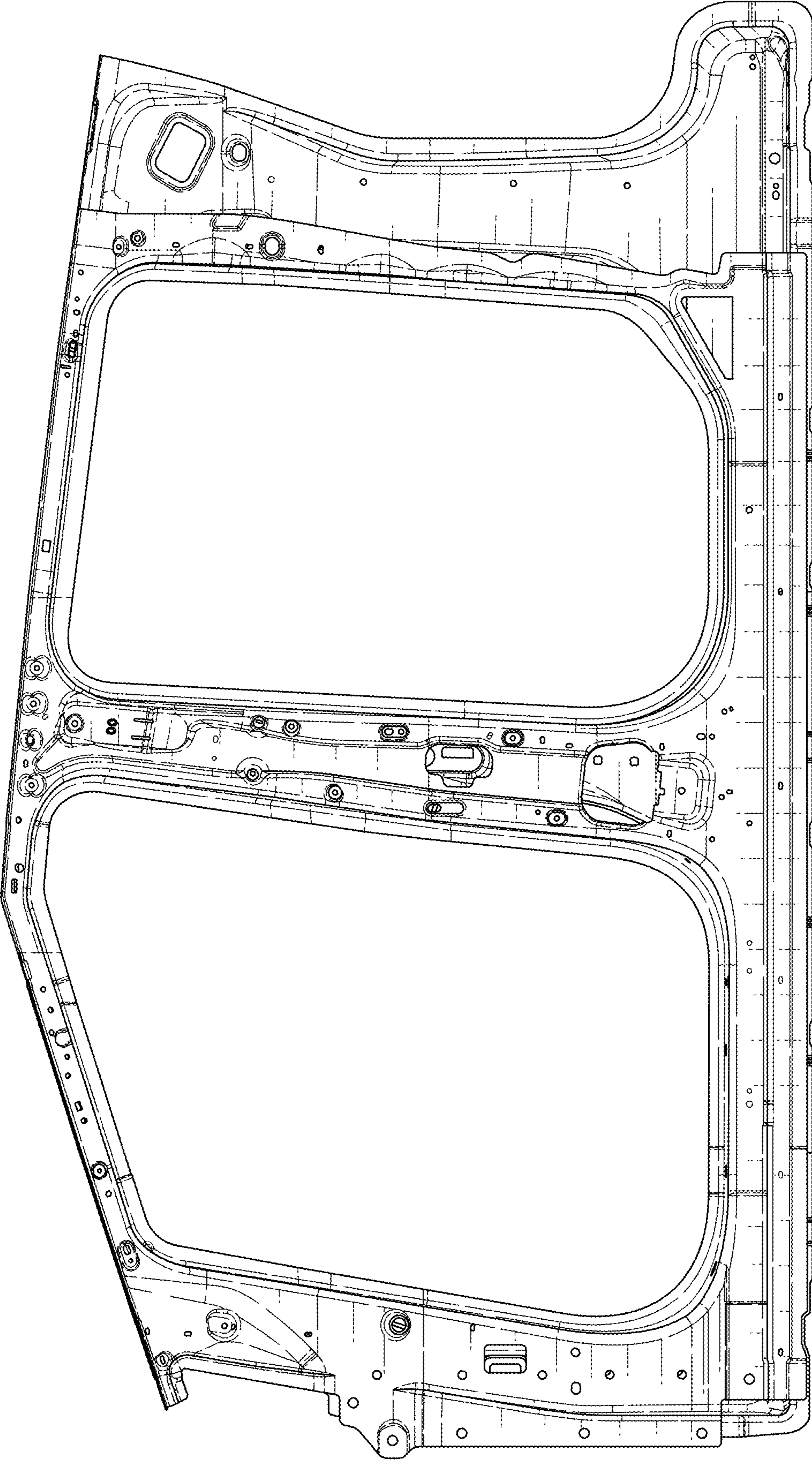


FIG. 3

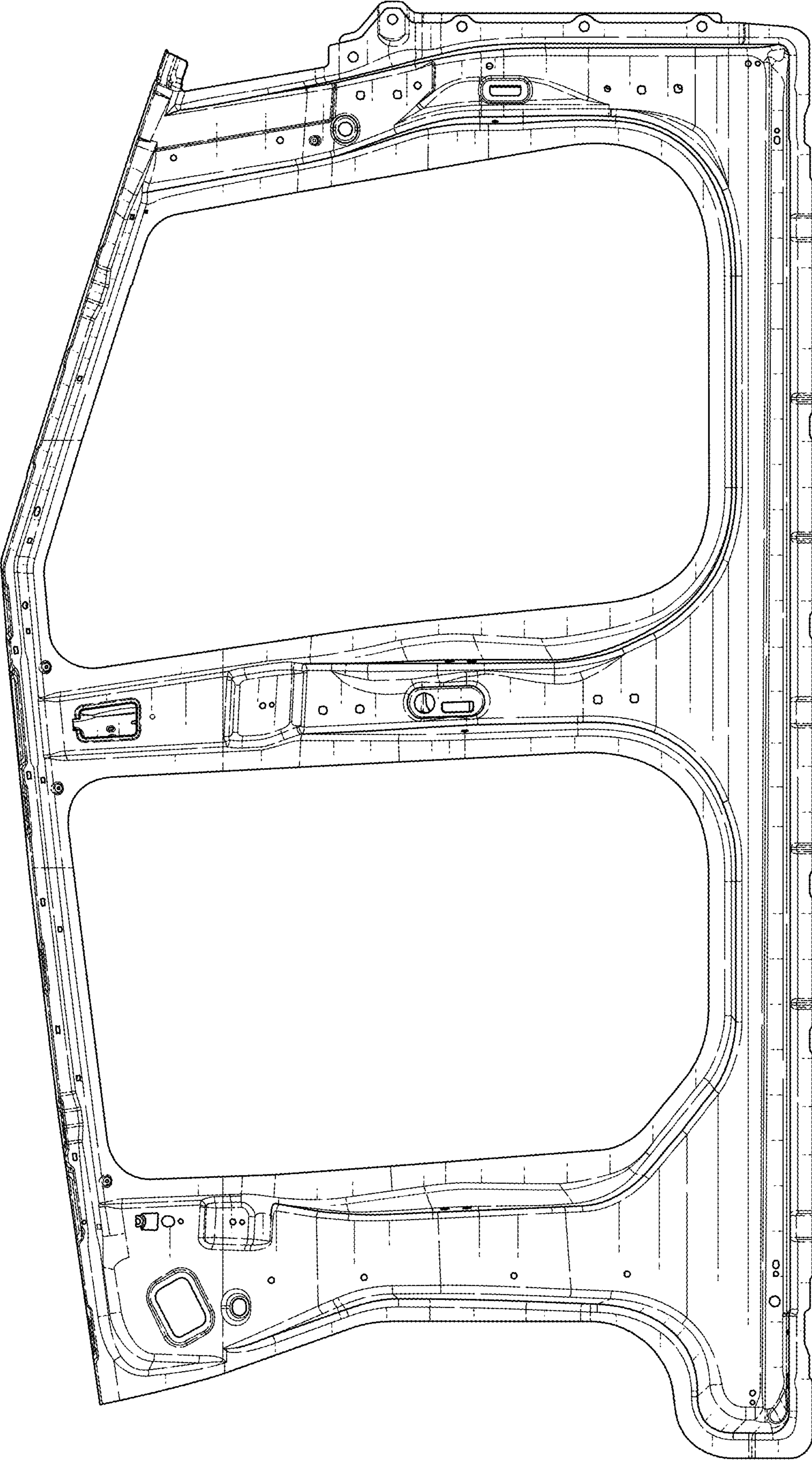


FIG. 4

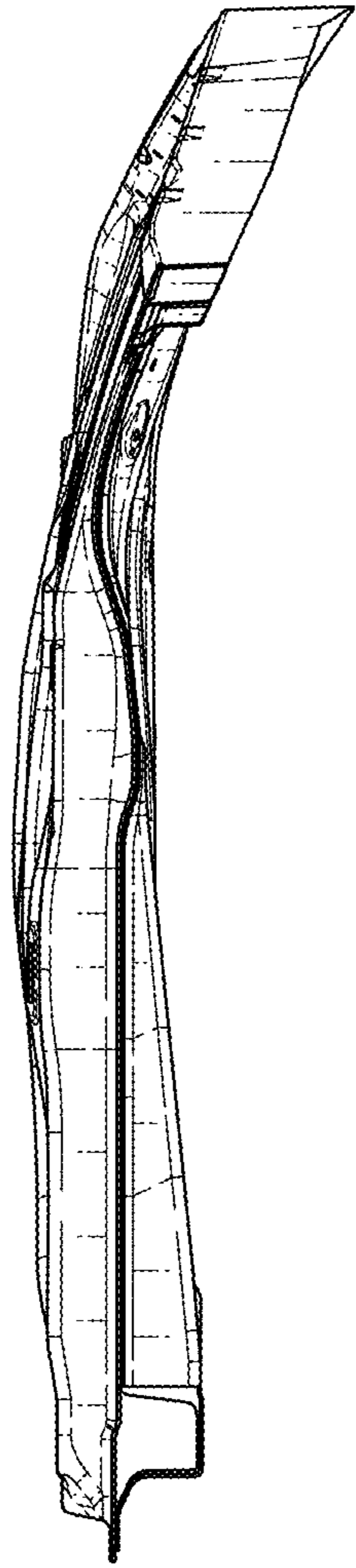


FIG. 5

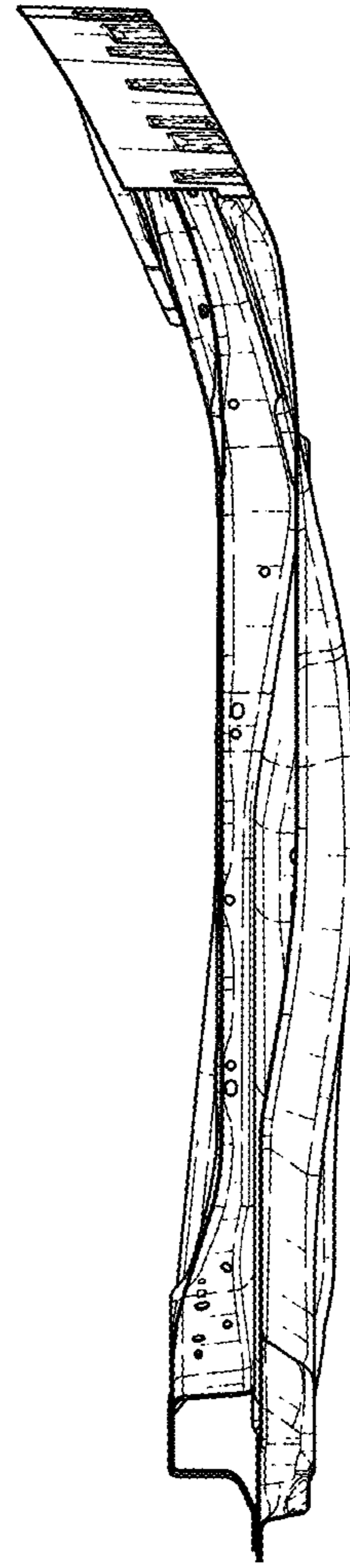


FIG. 6

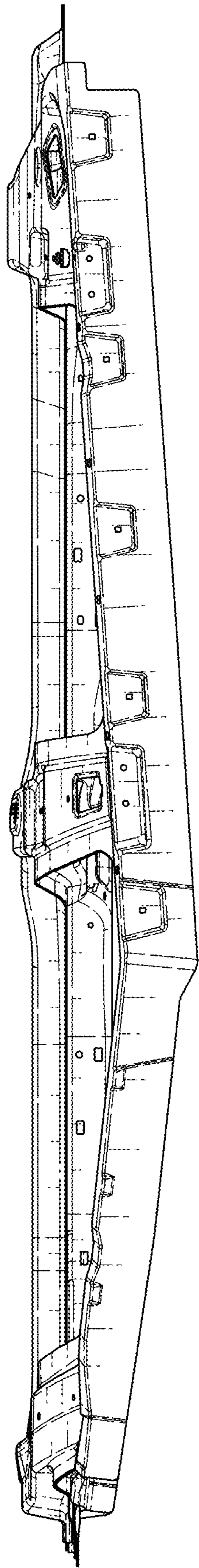


FIG. 7

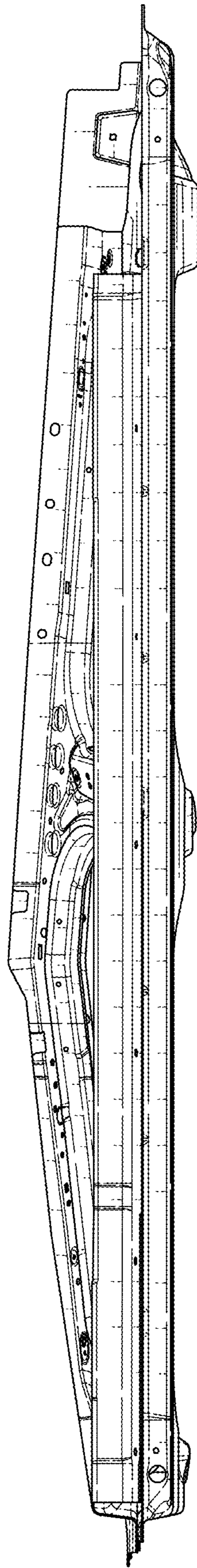


FIG. 8



FIG. 9



FIG. 10

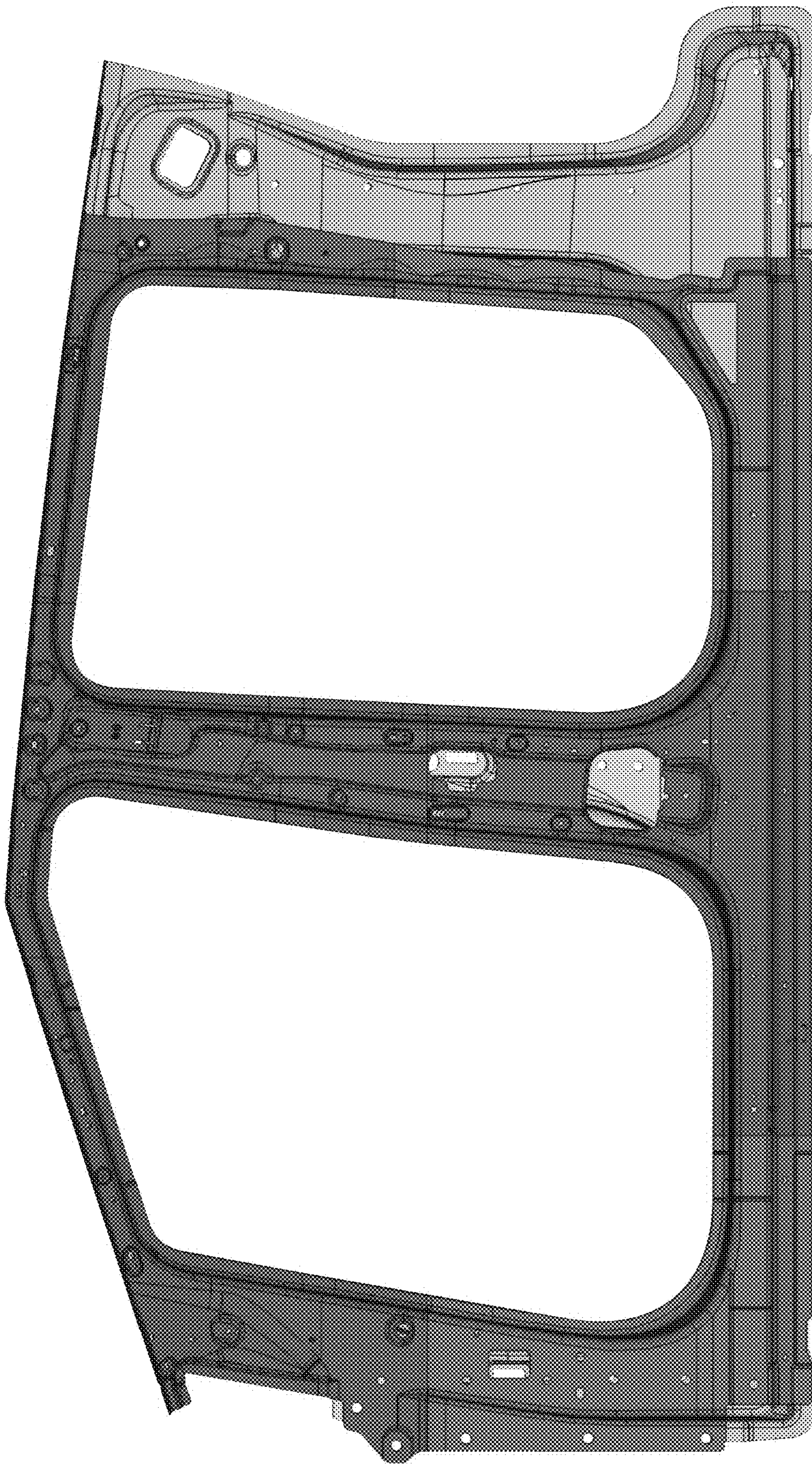


FIG. 11

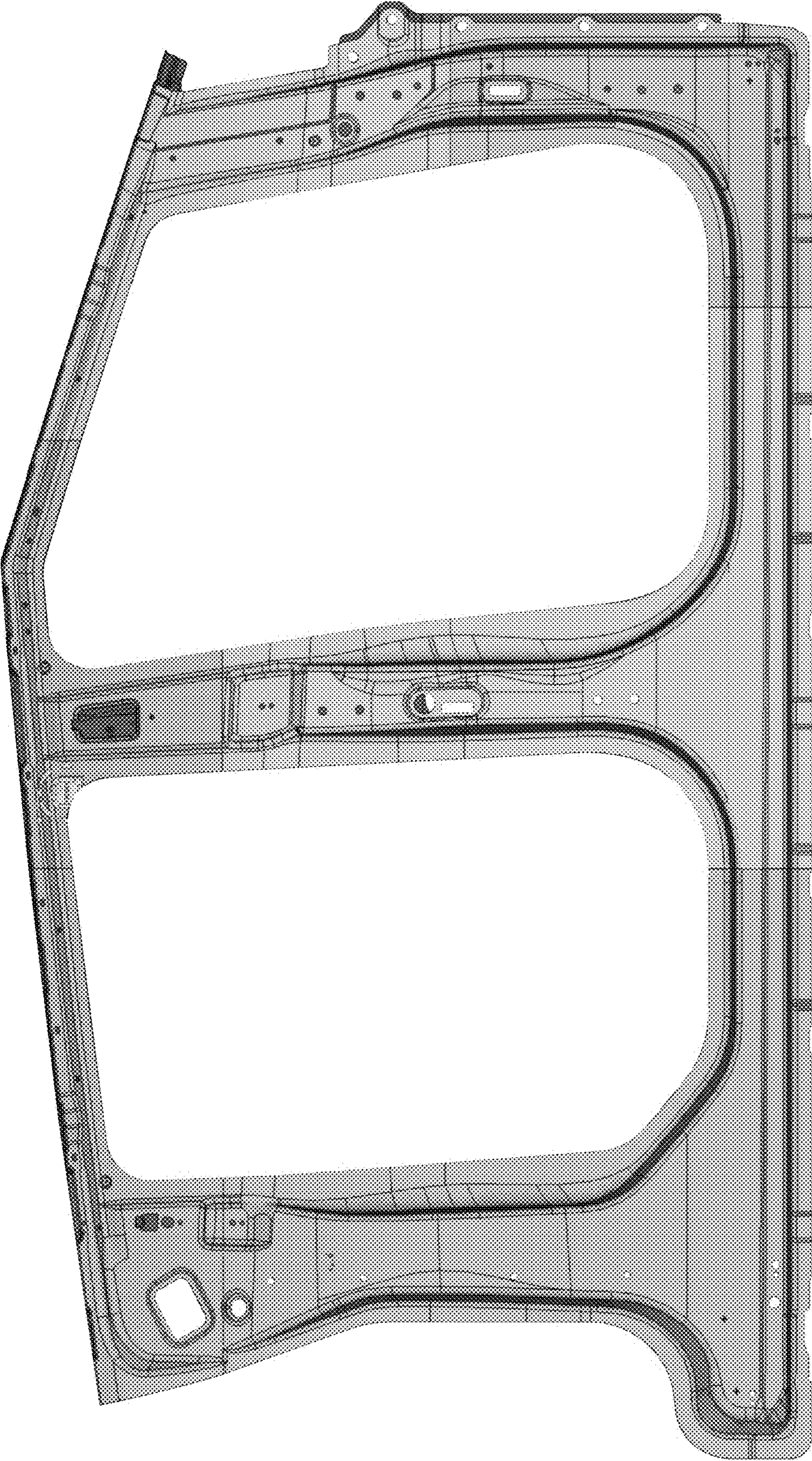


FIG. 12

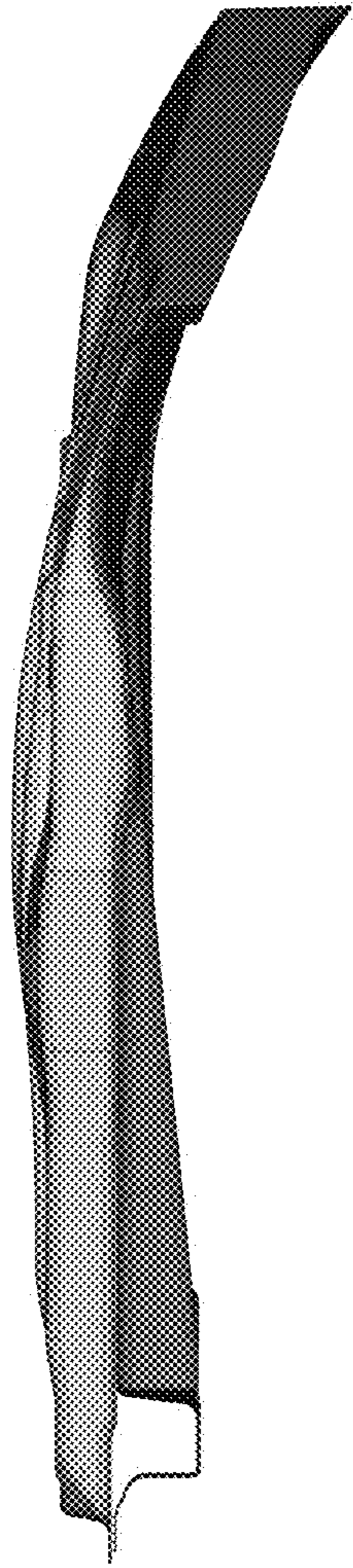


FIG. 13

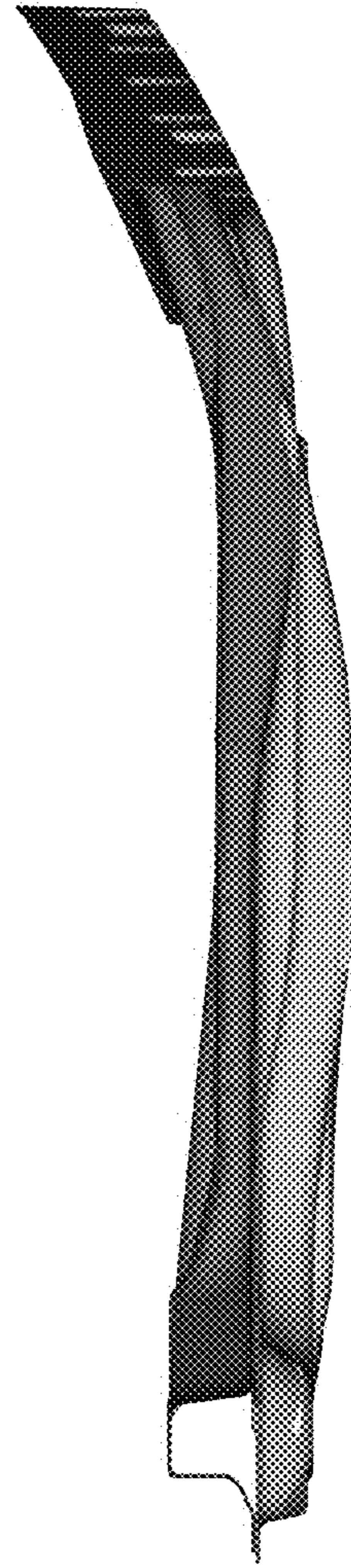


FIG. 14

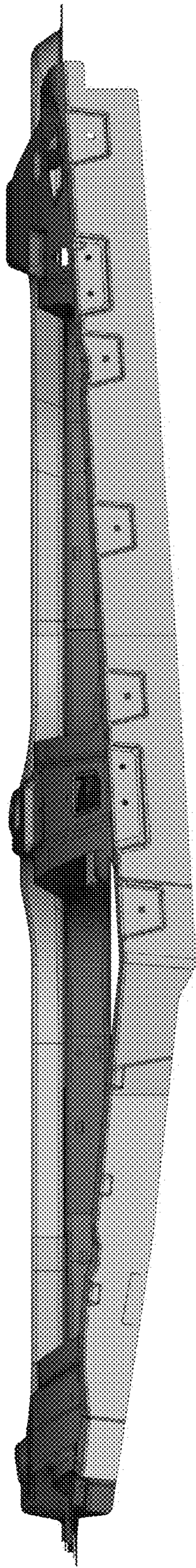


FIG. 15

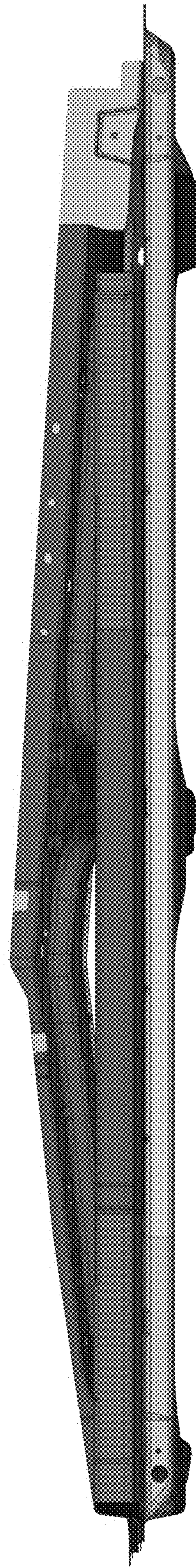


FIG. 16

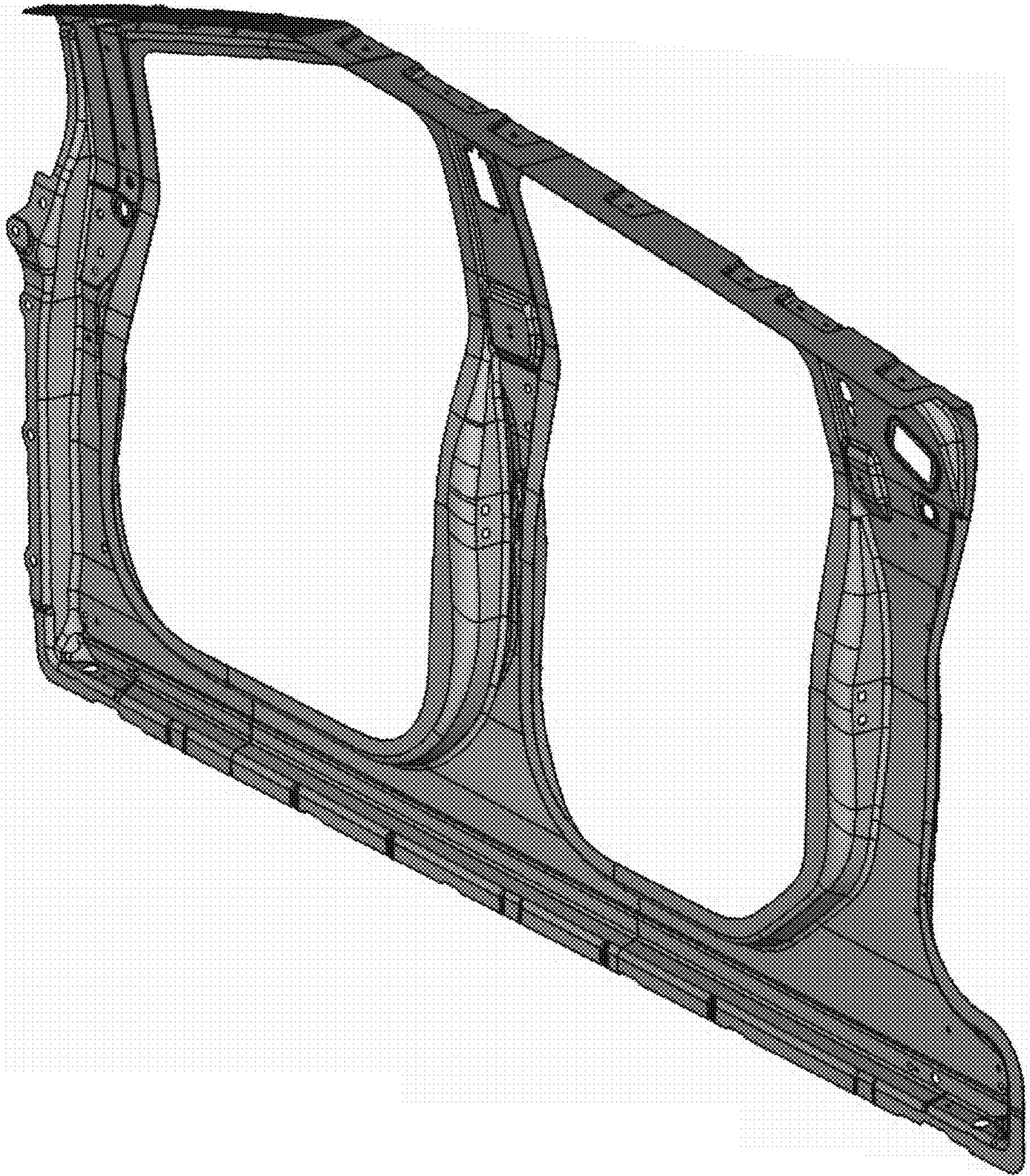


FIG. 17

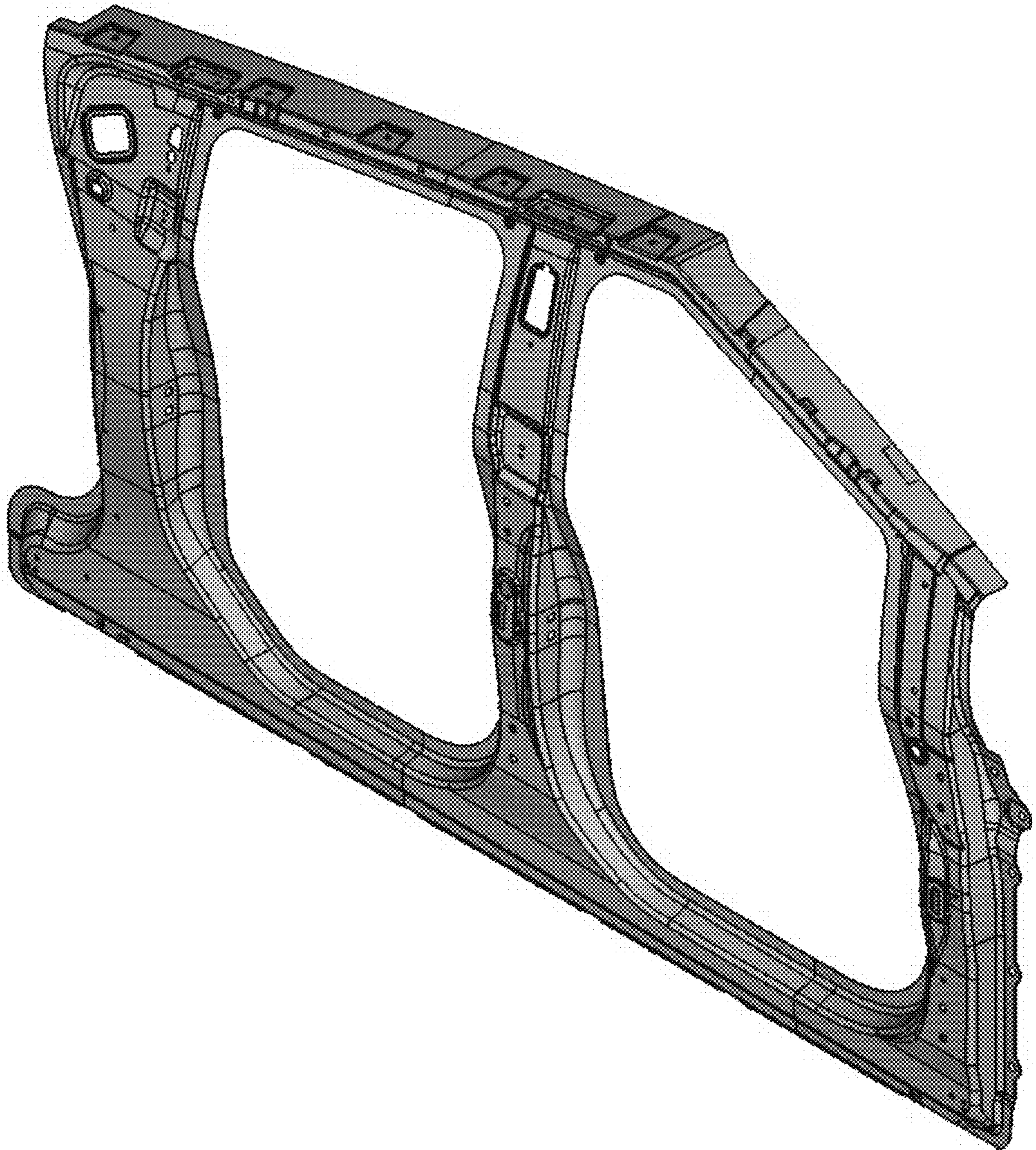


FIG. 18

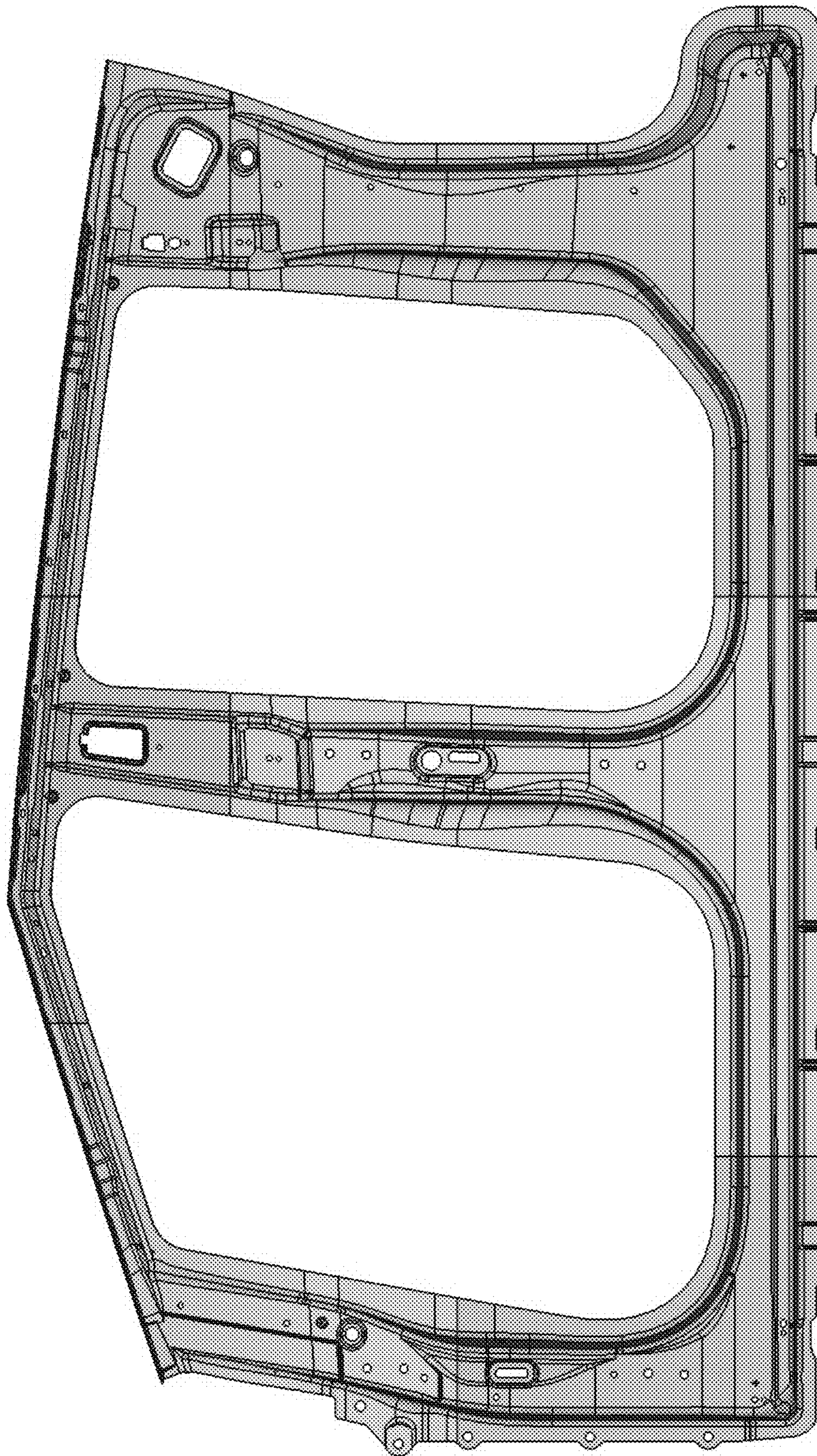


FIG. 19

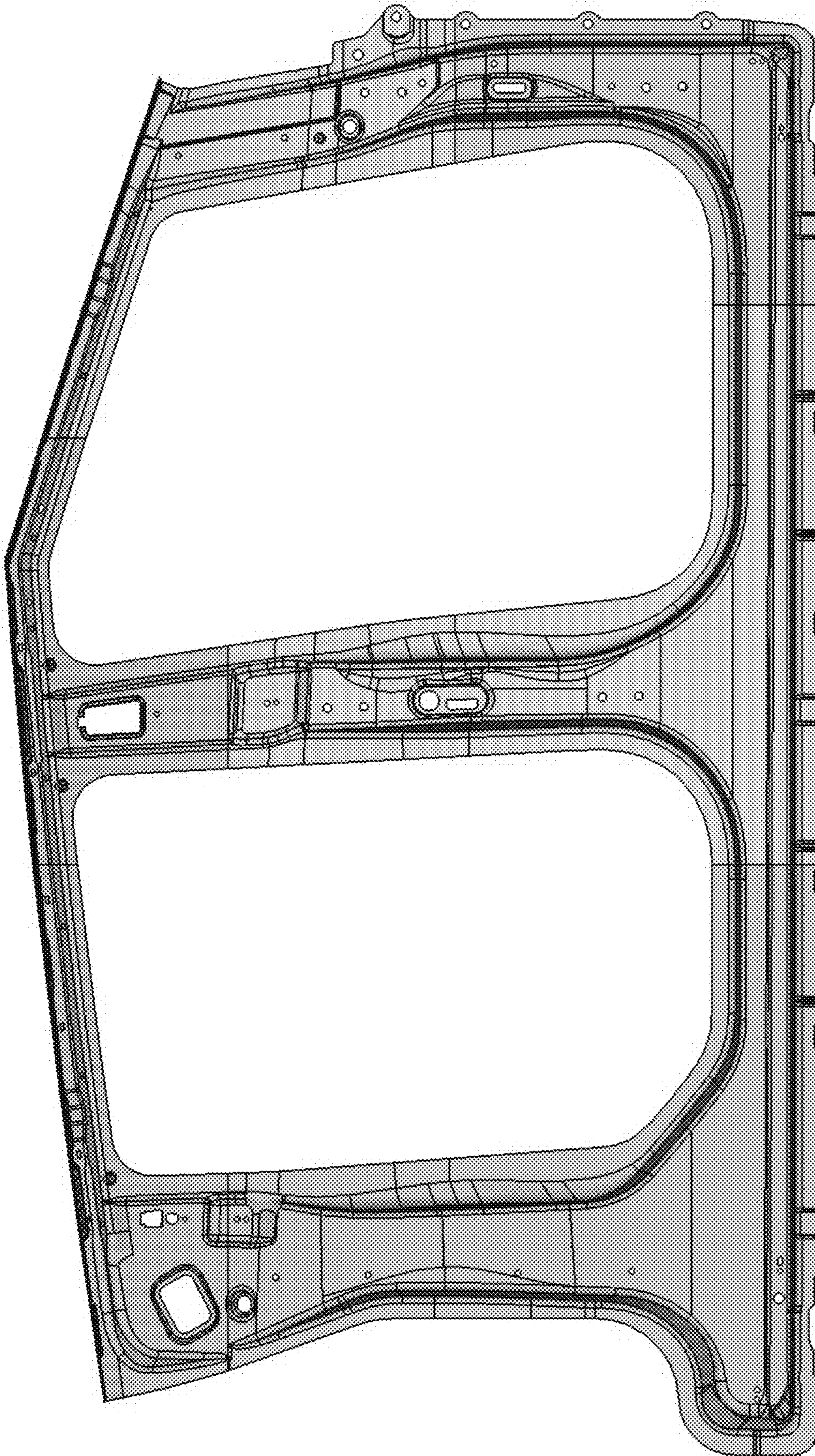


FIG. 20

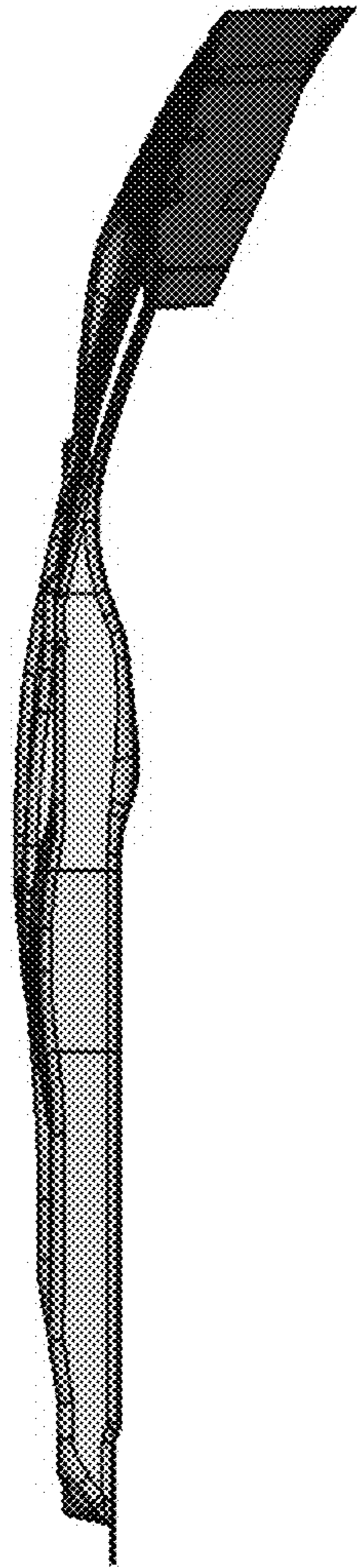


FIG. 21

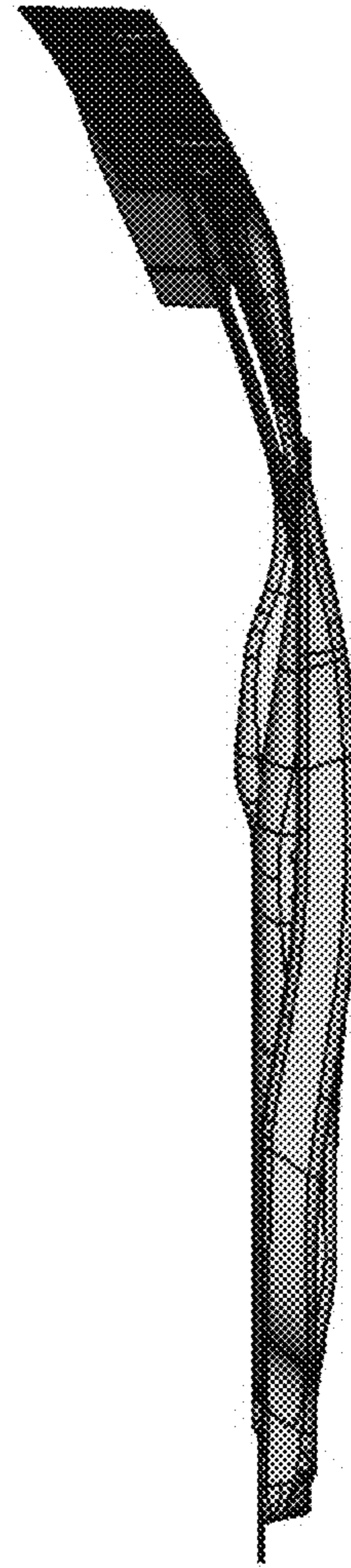


FIG. 22

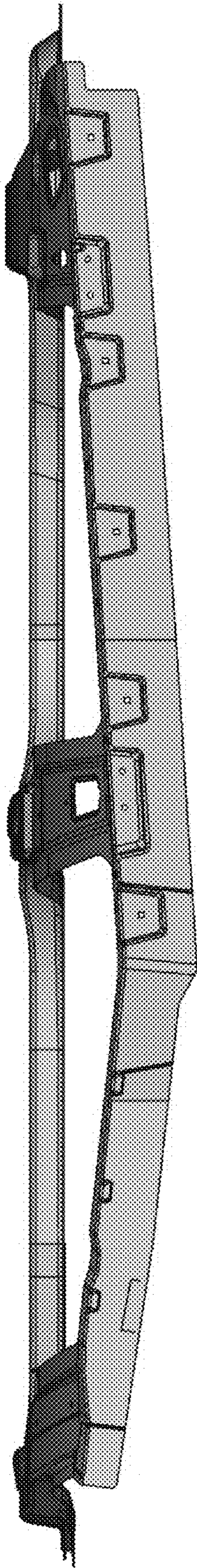


FIG. 23

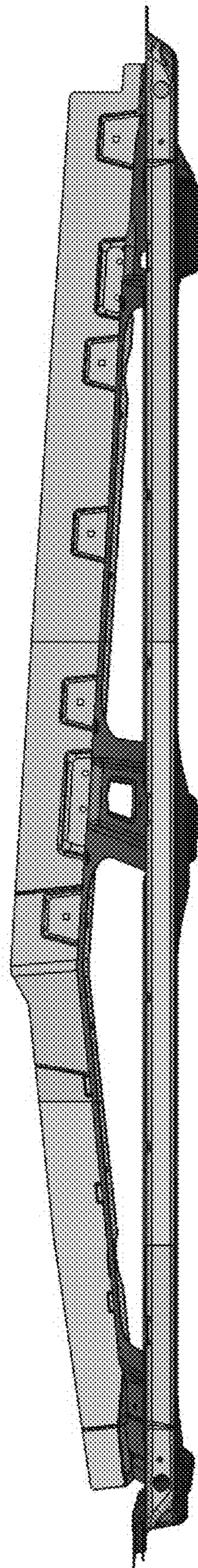


FIG. 24



FIG. 25



FIG. 26

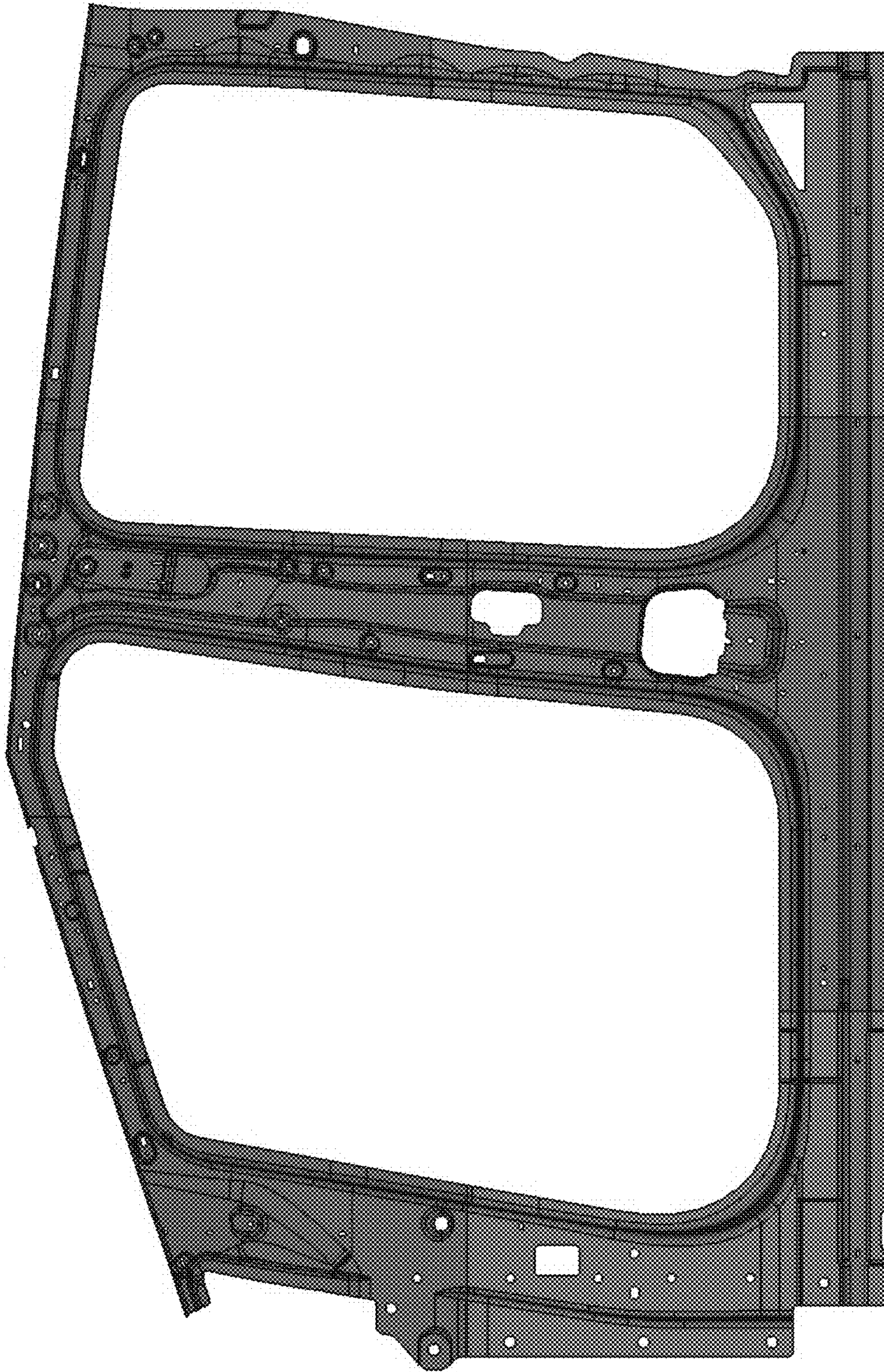


FIG. 27

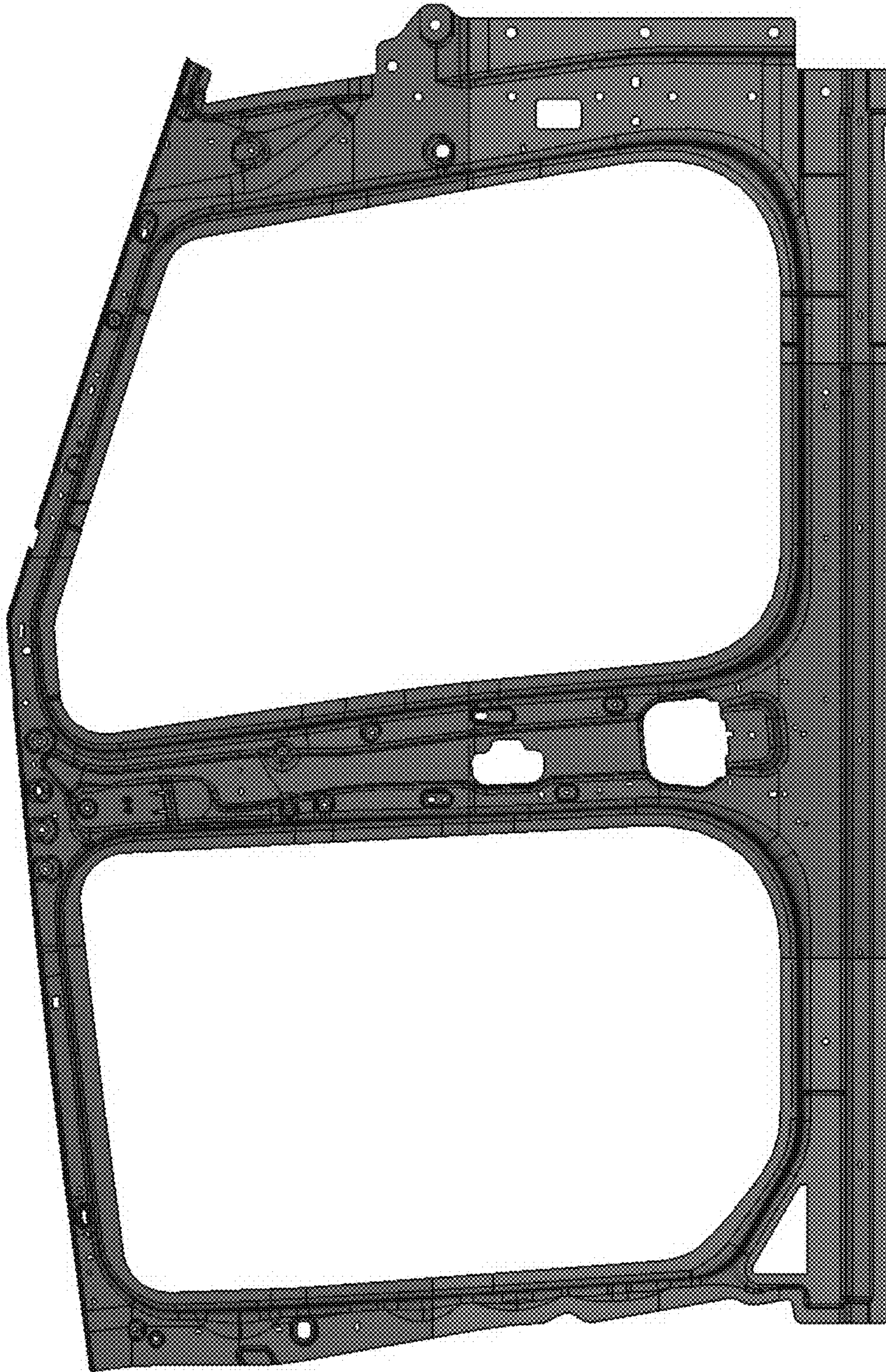


FIG. 28

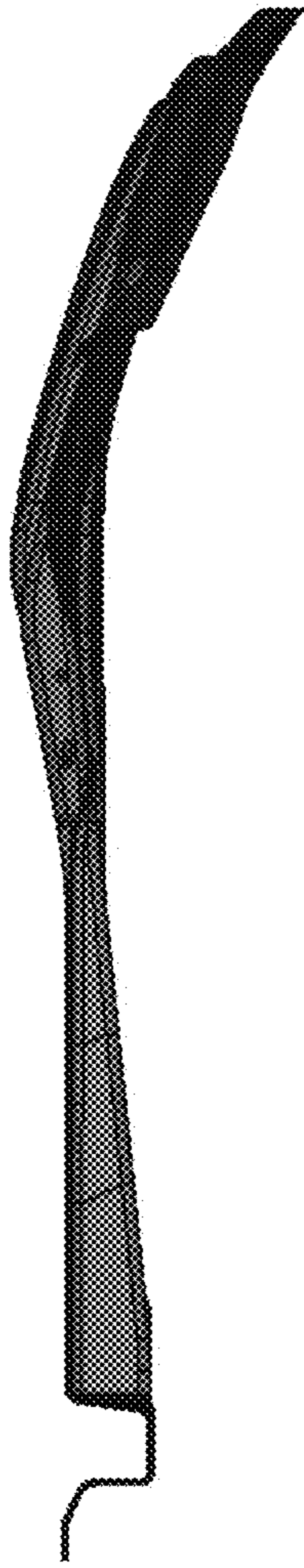


FIG. 29

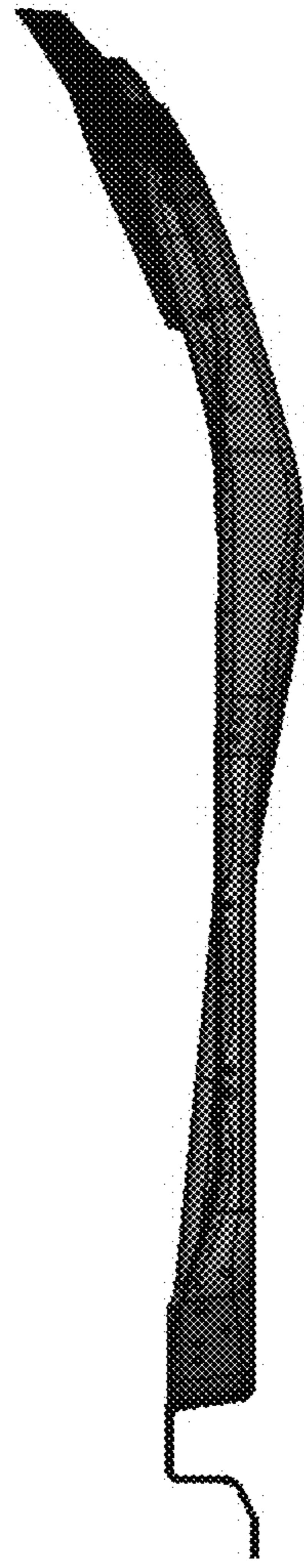


FIG. 30

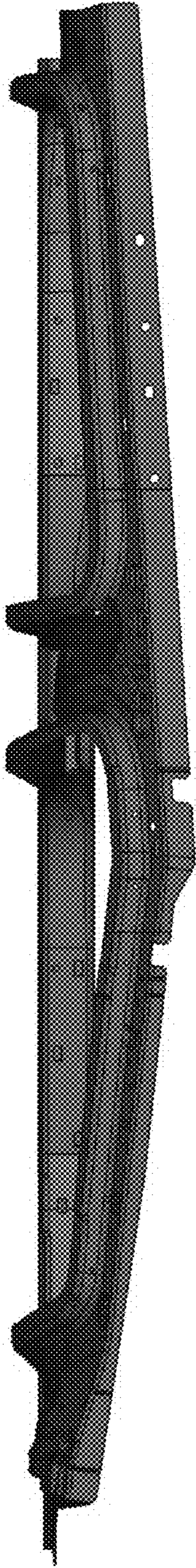


FIG. 31

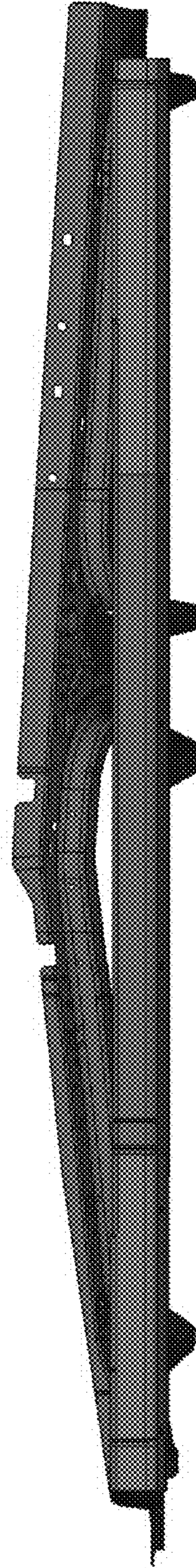


FIG. 32