



US0D1124972S

(12) **United States Design Patent** (10) **Patent No.:** **US D1,124,972 S**  
**House et al.** (45) **Date of Patent:** **\*\* May 5, 2026**

(54) **MODEL VEHICLE AXLE CARRIER**

FOREIGN PATENT DOCUMENTS

(71) Applicant: **TRAXXAS, L.P.**, McKinney, TX (US)  
(72) Inventors: **Noah House**, Sachse, TX (US); **Trent Collins**, McKinney, TX (US); **Adam Cole Ewing**, McKinney, TX (US); **Otto Karl Allmendinger**, Rowlett, TX (US)

EM 007721154-0006 3/2020  
GB 6307596 9/2023  
GB 6307601 9/2023

(Continued)

(73) Assignee: **TRAXXAS, L.P.**, McKinney, TX (US)

Xray; "T1R Raycer-Instruction Manual;" Xray Model Racing Cars, Trencin, Slovak Republic, Europe (admitted prior art).

(\*\*) Term: **15 Years**

(Continued)

(21) Appl. No.: **29/966,355**

*Primary Examiner* — Michael A. Pratt

(22) Filed: **Oct. 1, 2024**

(74) *Attorney, Agent, or Firm* — Daryl R. Wright; Greg Carr

(51) **LOC (15) Cl.** ..... **21-01**

(52) **U.S. Cl.**

USPC ..... **D21/562**

(58) **Field of Classification Search**

USPC ..... D21/561-562; D12/159  
CPC . B60G 7/001; B60G 7/02; B60G 3/20; B60G 2200/144

See application file for complete search history.

OTHER PUBLICATIONS

Xray; "T1R Raycer-Instruction Manual;" Xray Model Racing Cars, Trencin, Slovak Republic, Europe (admitted prior art).

(Continued)

*Primary Examiner* — Michael A. Pratt

(74) *Attorney, Agent, or Firm* — Daryl R. Wright; Greg Carr

(57) **CLAIM**

The ornamental design for a model vehicle axle carrier as shown and described.

**DESCRIPTION**

(56) **References Cited**

U.S. PATENT DOCUMENTS

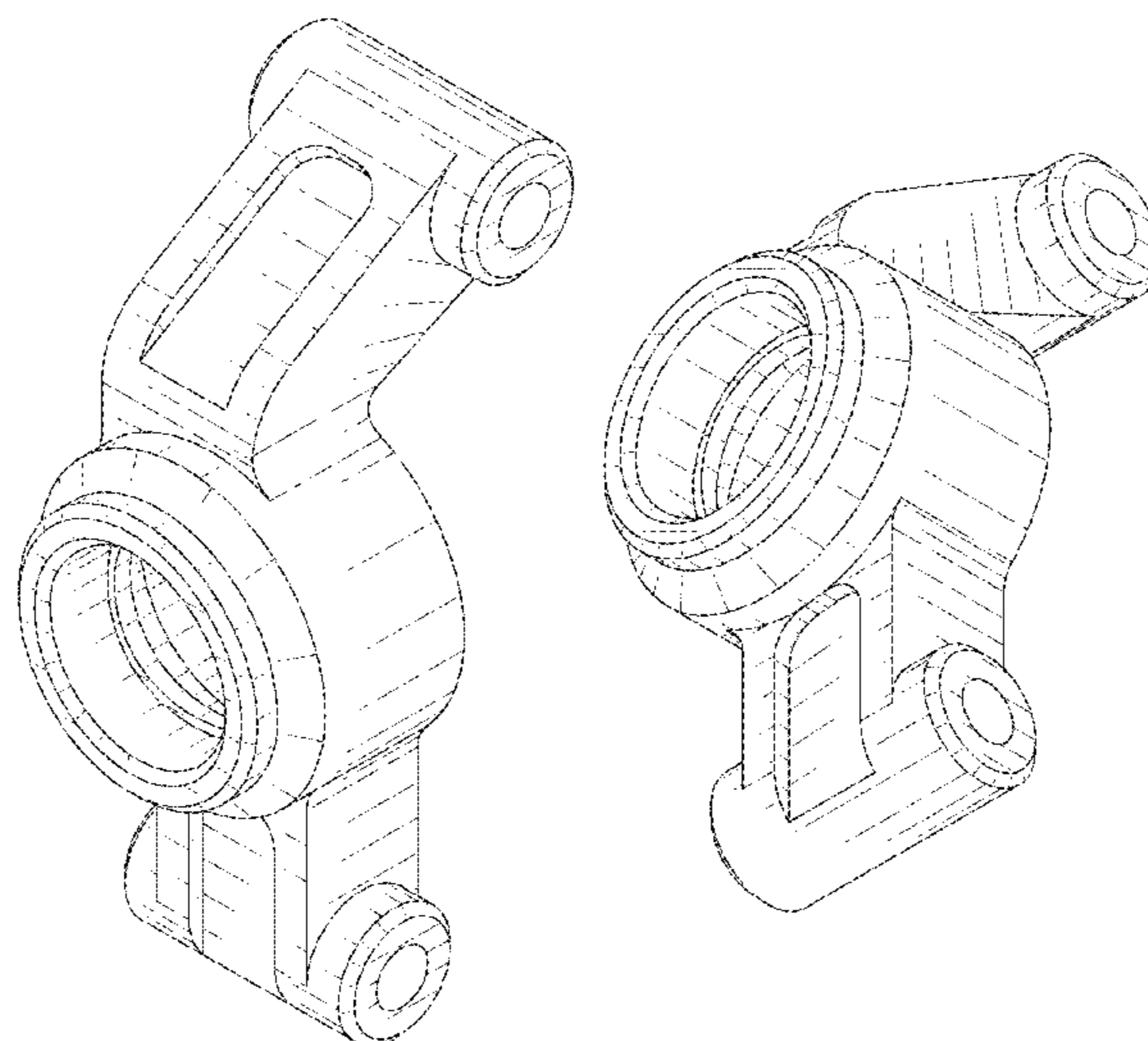
D826,340 S	8/2018	Ewing et al.	
D845,842 S	4/2019	Sun	
D878,974 S	3/2020	McGaughy	
D880,375 S	4/2020	McGaughy	
D900,250 S	10/2020	Ewing et al.	
D904,532 S *	12/2020	Ewing	D21/561
D923,116 S *	6/2021	Ewing	D21/562
D947,290 S	3/2022	Christensen et al.	
D947,958 S *	4/2022	Christensen	D12/159
D947,959 S *	4/2022	Christensen	D12/159
D996,528 S *	8/2023	Christensen	D21/562
D1,049,262 S *	10/2024	Wood	D21/562
D1,051,244 S *	11/2024	Ewing	D21/562
D1,051,245 S	11/2024	Ewing et al.	
D1,060,528 S *	2/2025	Poteet	D21/562
D1,074,847 S *	5/2025	House	D12/159

(Continued)

FIG. 1 is an upper, left, front perspective view of a model vehicle axle carrier showing our new design; FIG. 2 is a lower, left, front perspective view thereof; FIG. 3 is an upper, right, rear perspective view thereof; FIG. 4 is a lower, right, rear perspective view thereof; FIG. 5 is a front elevation view thereof; FIG. 6 is a rear elevation view thereof; FIG. 7 is an upper plan view thereof; FIG. 8 is a lower plan view thereof; FIG. 9 is a left-side elevation view thereof; and, FIG. 10 is a right-side elevation view of a model vehicle axle carrier.

Only the left-side model vehicle axle carrier is shown. The right-side model vehicle axle carrier is a mirror image of the shown model vehicle axle carrier.

**1 Claim, 7 Drawing Sheets**



(56)

**References Cited**

U.S. PATENT DOCUMENTS

D1,074,858 S \* 5/2025 Wood ..... D21/562  
 D1,094,587 S \* 9/2025 Perez ..... D21/562

FOREIGN PATENT DOCUMENTS

TW 179940-0001 12/2016  
 WO D095551-014 4/2017

OTHER PUBLICATIONS

Traxxas Rear Stub Axle Carrier (1.5 Degree), Earliest Available Date Oct. 29, 2007 [Online], [Site Visited Oct. 28, 2020] Available From Internet, URL: < [https://www.amainhobbies.com/traxxas-rear-stub-axle-carrier-1.5-degree-tra4352/p17759?gclid=EAlalQobChMlyY7Ak\\_TX7AIVWQiICR1dzw2fEAQYBCABEgL99vD\\_BWE](https://www.amainhobbies.com/traxxas-rear-stub-axle-carrier-1.5-degree-tra4352/p17759?gclid=EAlalQobChMlyY7Ak_TX7AIVWQiICR1dzw2fEAQYBCABEgL99vD_BWE) > (Year: 2007).  
 Traxxas Rear Stub Axle Carrier, Published date unavailable [online], [retrieved on Feb. 5, 2022]. Retrieved from the Internet: <https://www.rcmart.com/traxxas-rear-left-and-right-stub-axle-carrier-for-jato-5555-00036488> (Year: 2022).

Carriers stub axle, First Date Available: Unknown, Imaged retrieved on: Jun. 3, 2023, <<https://traxxas.com/products/parts/9552>>. Measjimi Brand, 2pcs Alloy Rear Stub Axle Hub Carrier 7752 for RC Hobby Car 1/5 1/6 X-MAXX (Red), as shown in [www.amazon.com](http://www.amazon.com), no date listed, Jun. 17, 2024, date found, ASIN B09MH1V2Q. (Year: 2024).  
 Weiqian brand, 1 Pair RC Rear Hub Carrier Portable Flexible CNC Aluminum Alloy Rear Stub Axle Carrier Replacement for TRAXXAS 1/5 Black, as shown in [www.walmart.com](http://www.walmart.com), no date listed, Jun. 17, 2024, date found. (Year: 2024).  
 RPM Oversized Rear Axle Carriers for Traxxas X-Maxx, as shown in [www.hobbytown.com](http://www.hobbytown.com), Sep. 27, 2016, Part # RPM81732. (Year: 2016).  
 RiToEasysports 2Pcs RC Rear Axle Carrier, posted date unknown [online], [retrieved xx/xx/xx]. Retrieved from internet, [https://www.amazon.com/RiToEasysports-Carrier-Aluminum-Alloy-Compatible/dp/B09JGDWWSK/ref=sr\\_1\\_28](https://www.amazon.com/RiToEasysports-Carrier-Aluminum-Alloy-Compatible/dp/B09JGDWWSK/ref=sr_1_28) (Year: 2024).  
 Traxxas 3752 Stub Axle Carrier (pair), Amazon Website, Earliest Comment Date: Jul. 25, 2014 [Website Visited Oct. 1, 2024], Available on the Internet URL: <https://www.amazon.com/dp/B000SU2D0C/> (Year: 2014).  
 Aluminum Stub Axle Carriers, Traxxas Website, No Available Date [Website Visited Oct. 1, 2024], Available on the Internet URL: <https://traxxas.com/products/parts/7852-blue> (Year: 2024).

\* cited by examiner

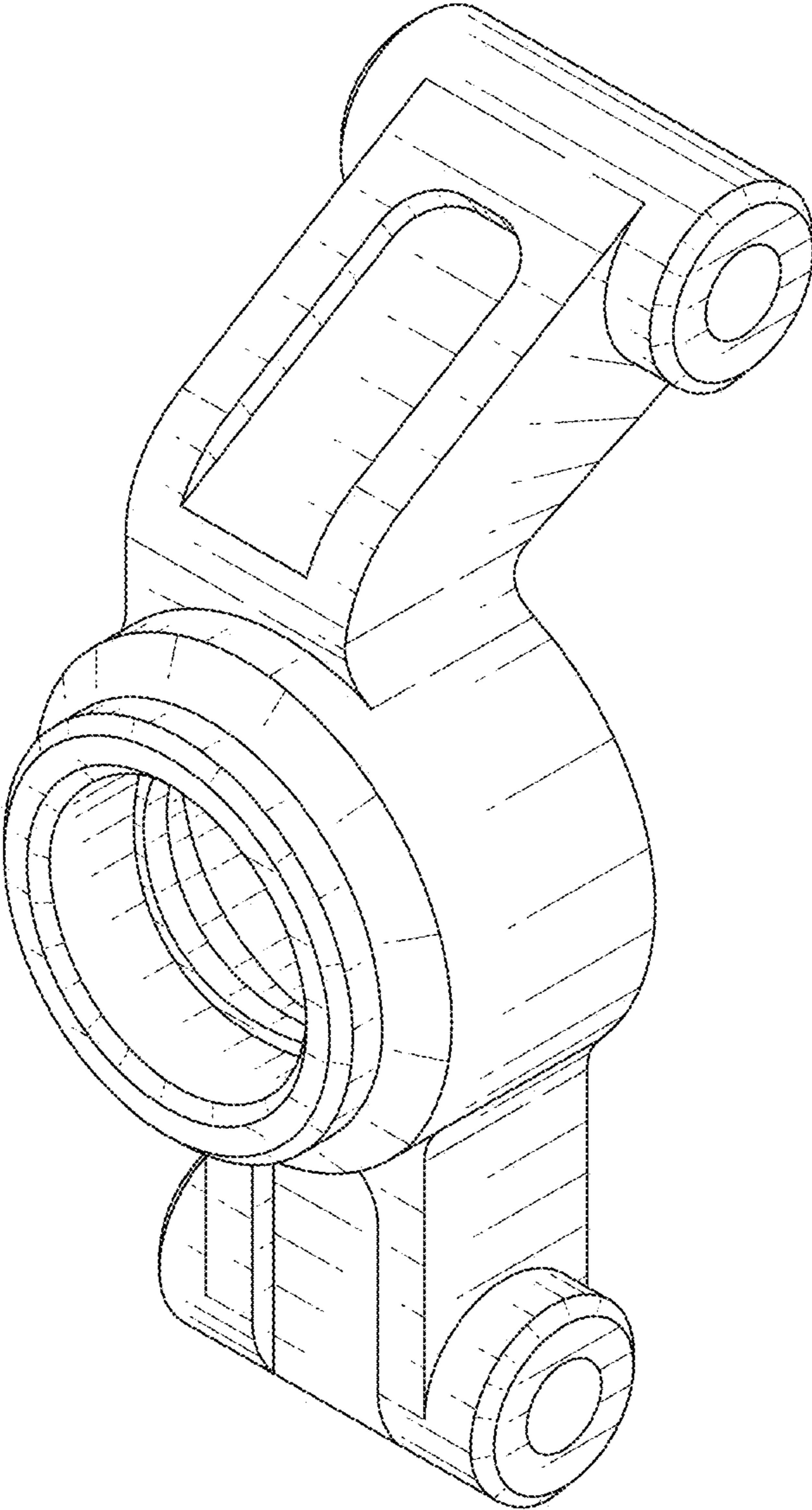


FIG. 1

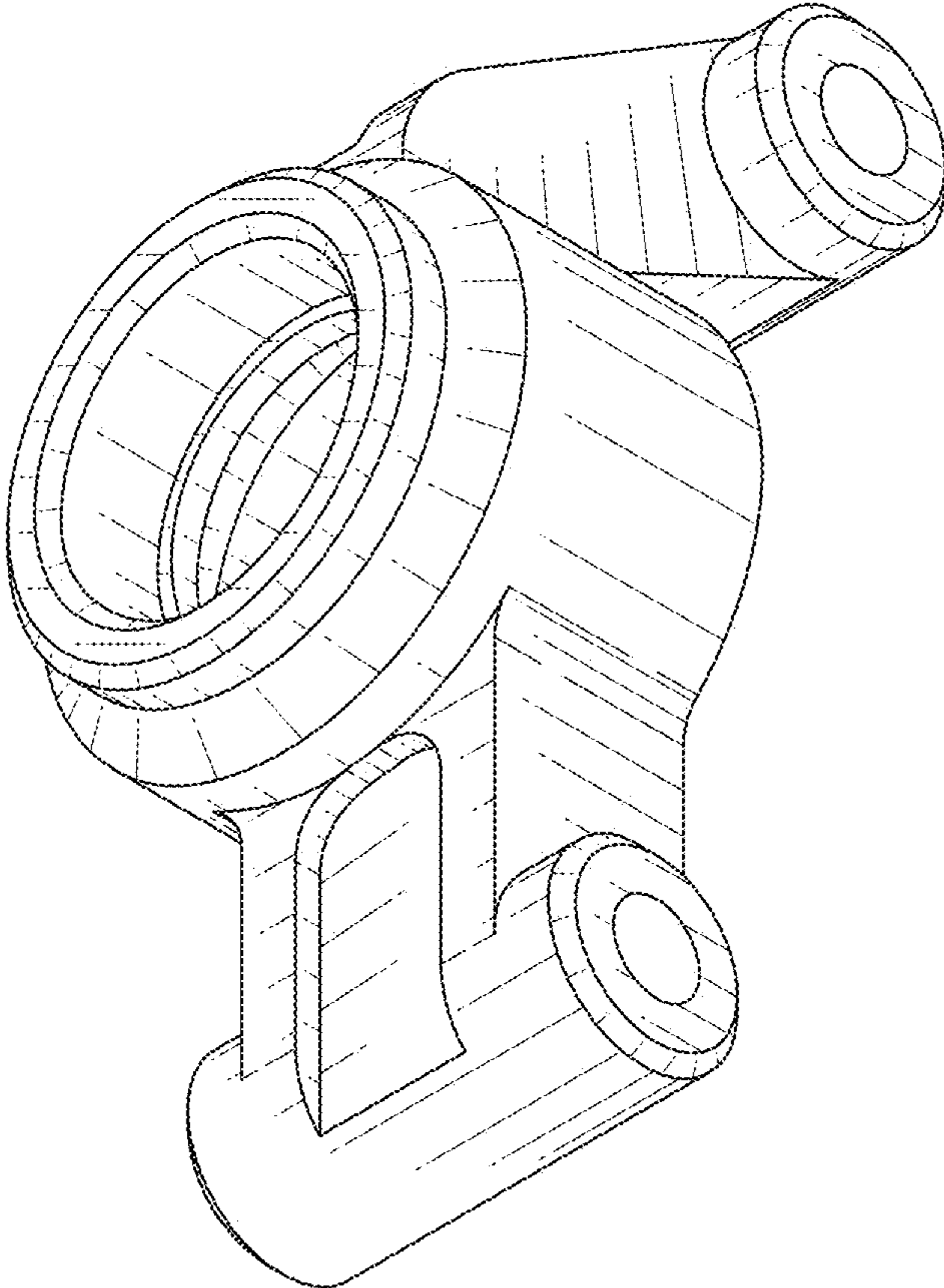


FIG. 2

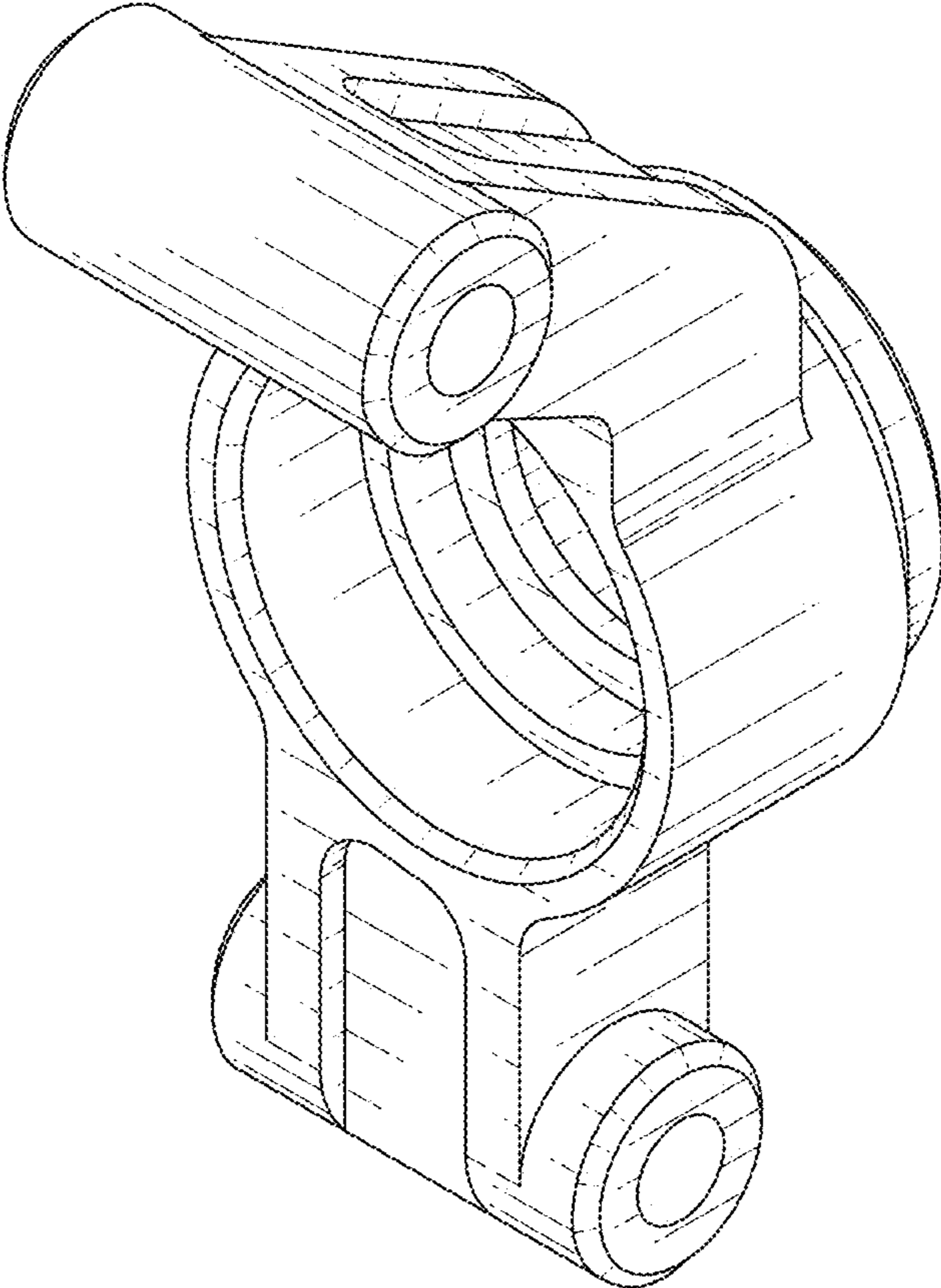


FIG. 3

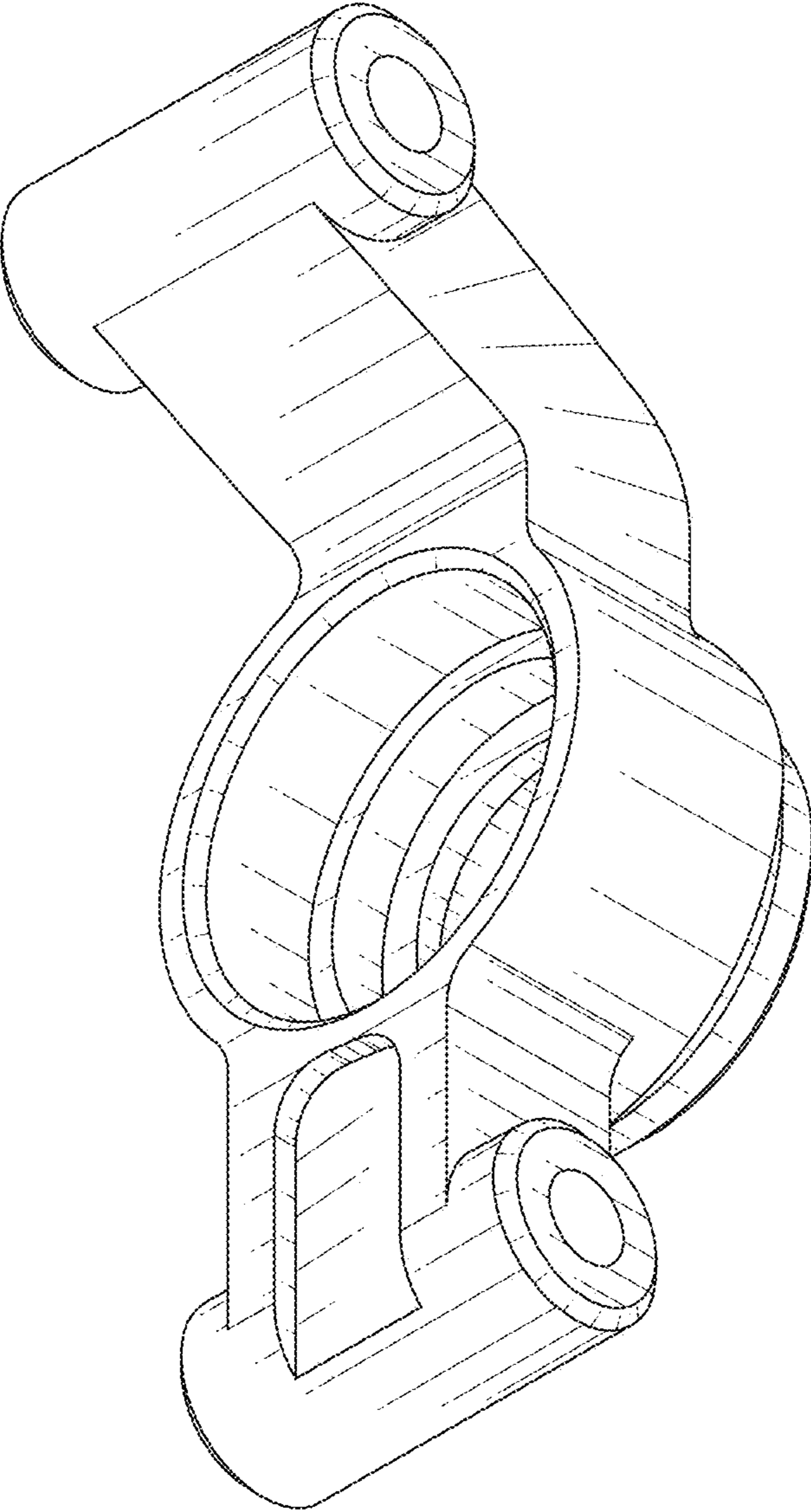


FIG. 4

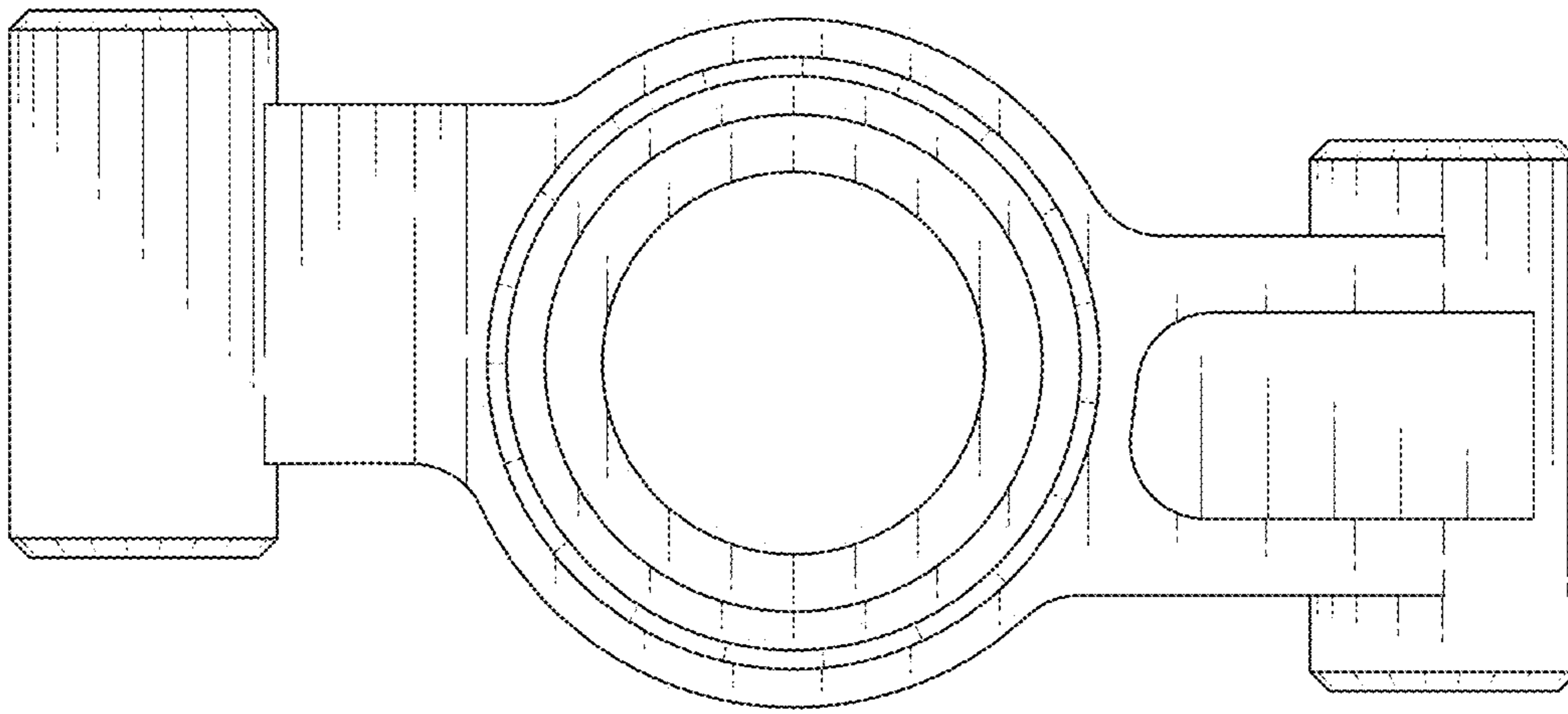


FIG. 6

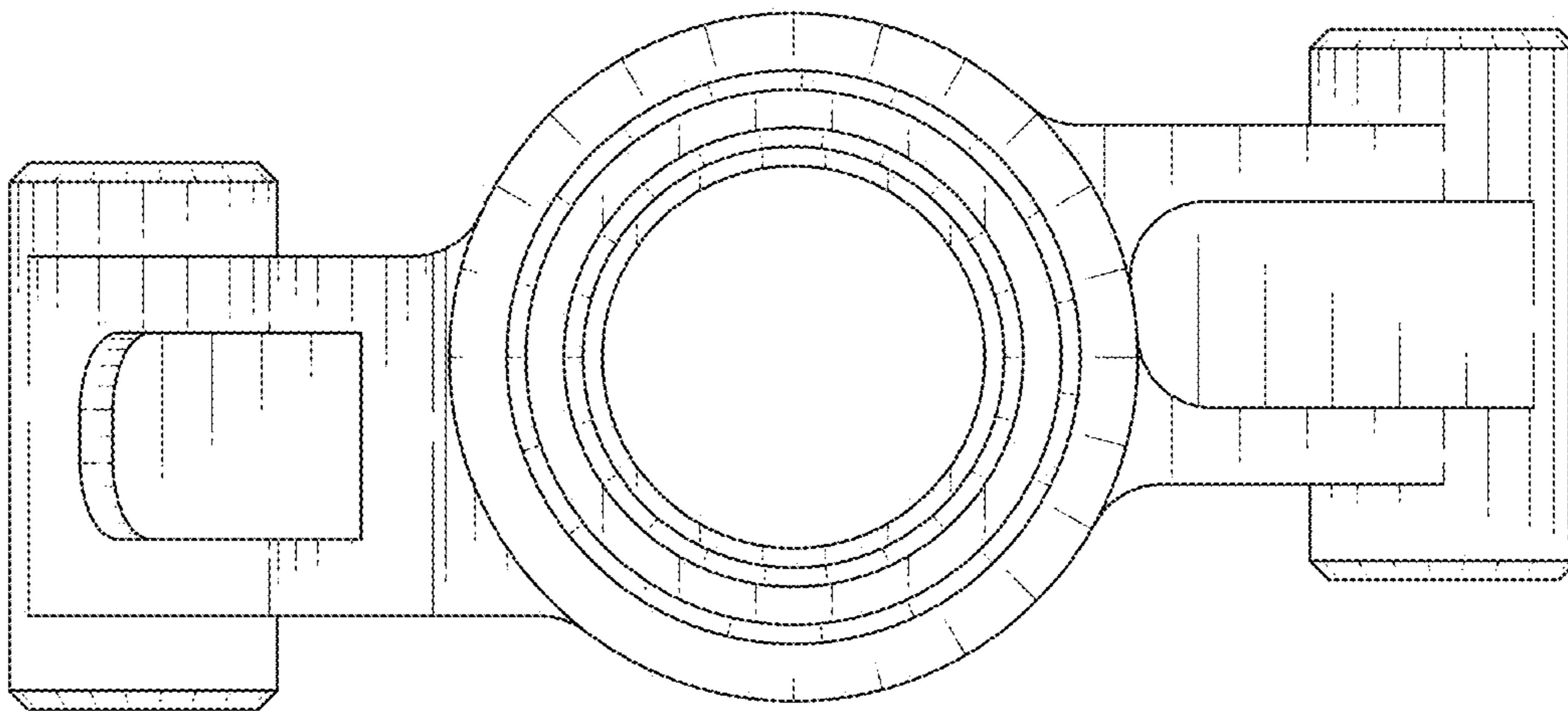


FIG. 5

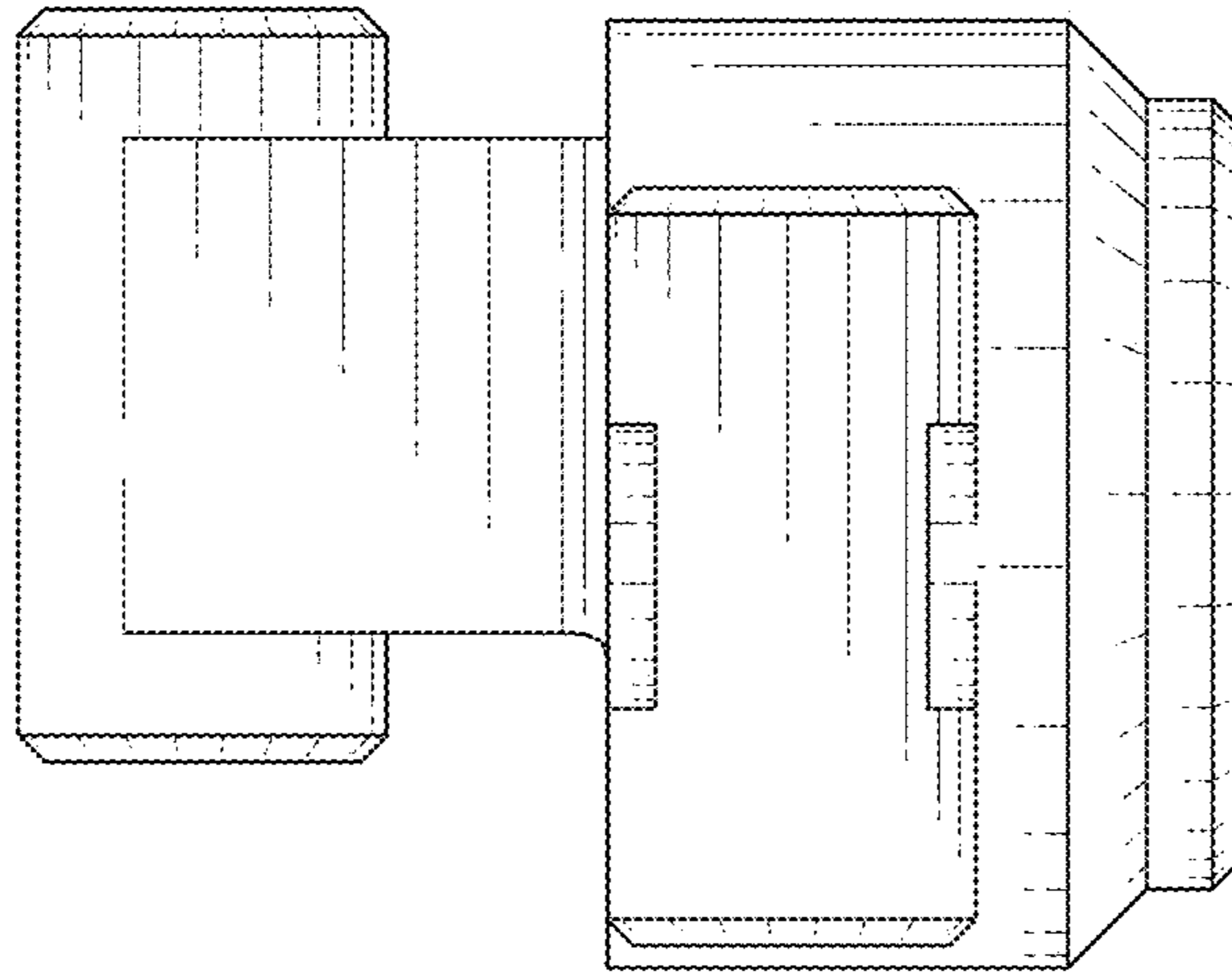


FIG. 8

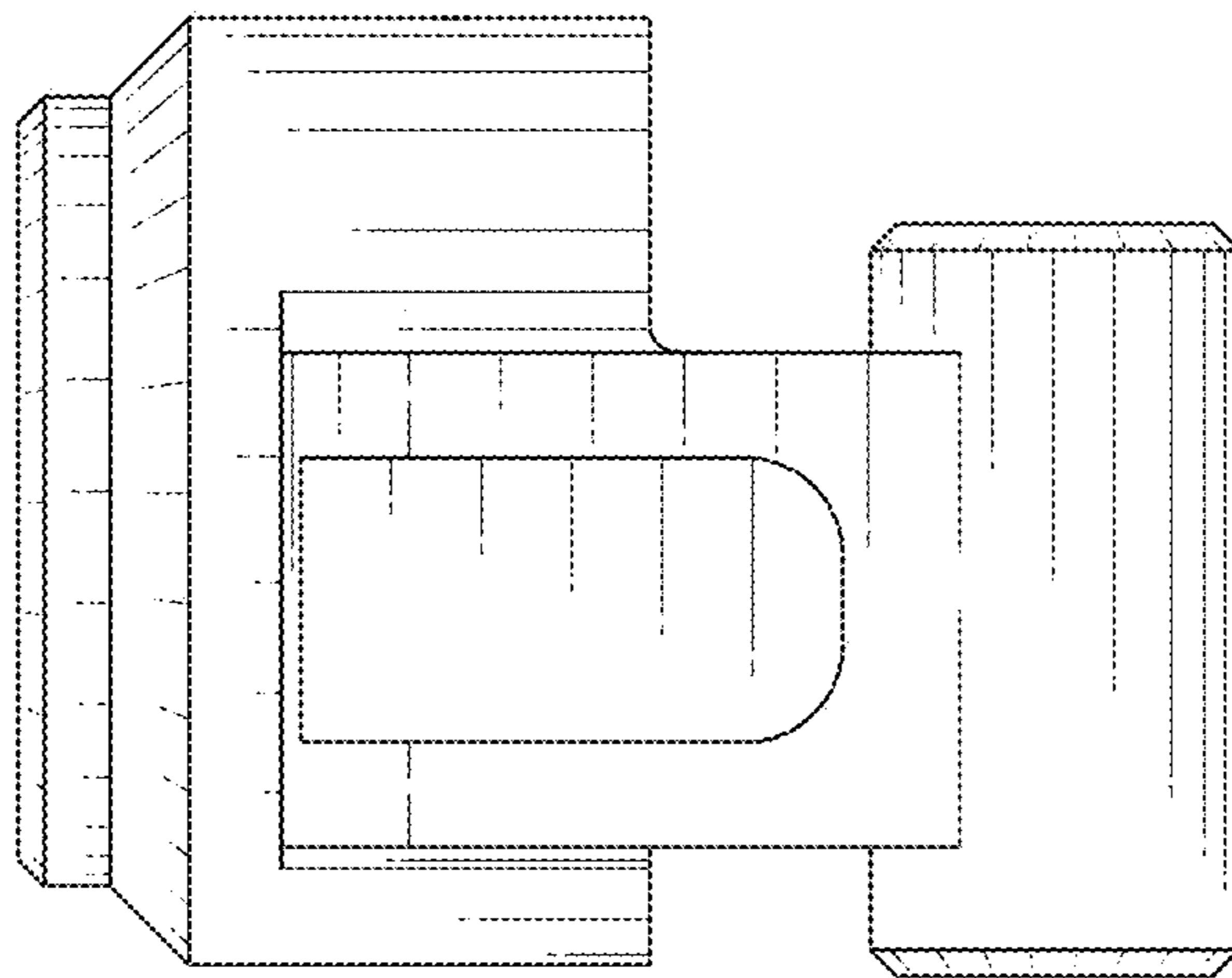


FIG. 7

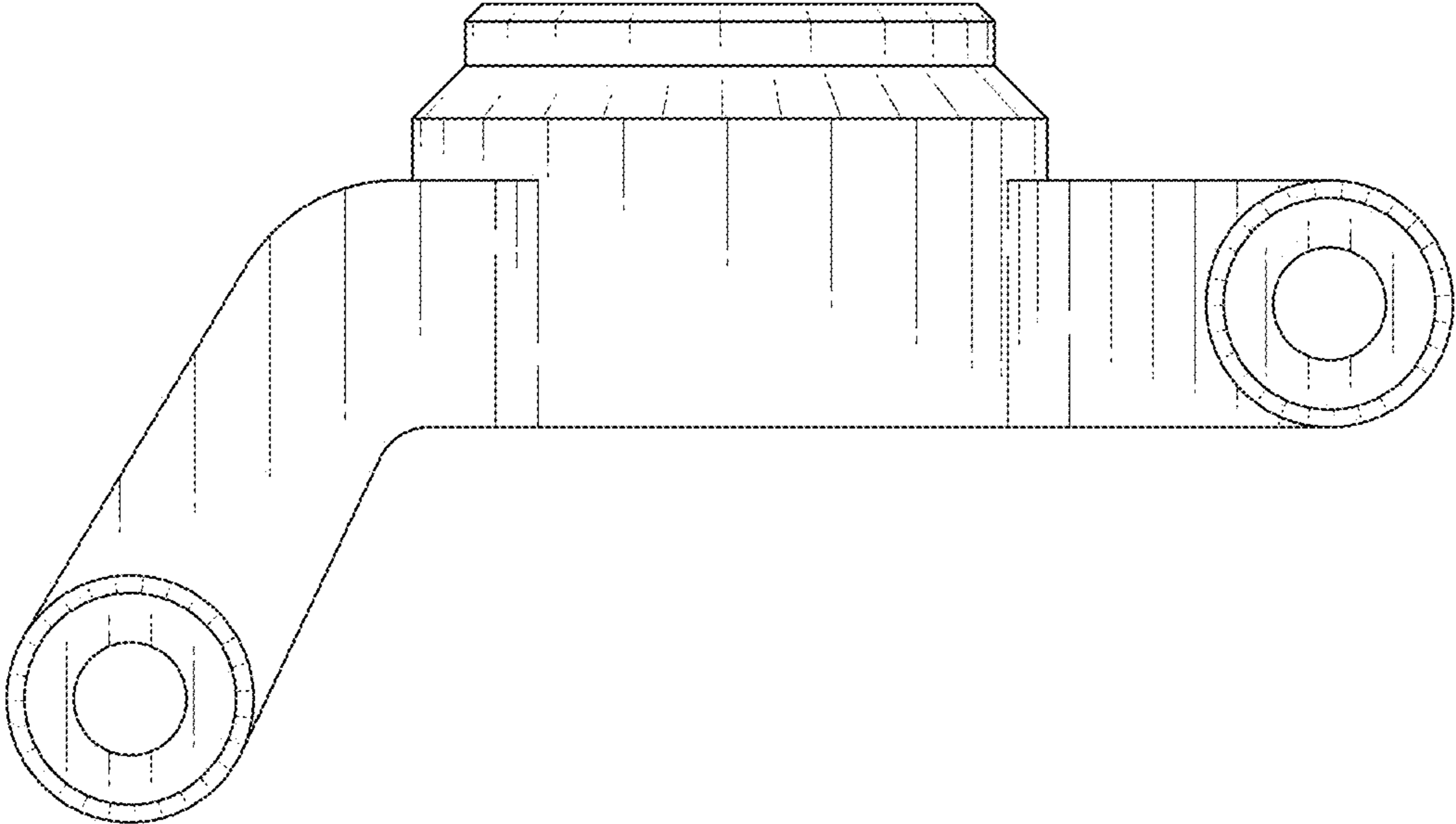


FIG. 10

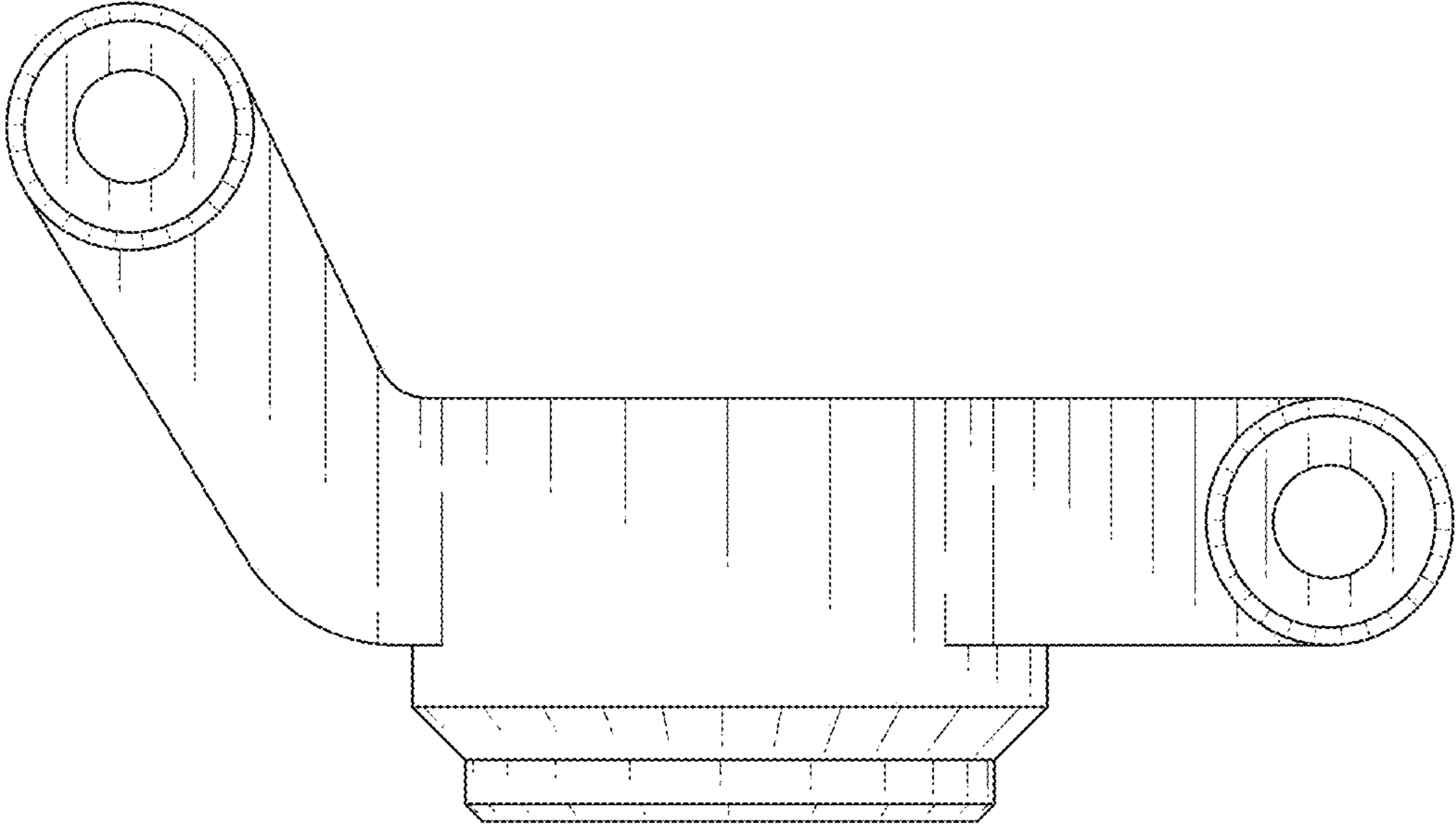


FIG. 9